

SEQUENTMICROSYSTEMS.COM

16-RELAYS-V4.1

SKU : SM-I-014

SCHMATIC

PI CONNECTOR

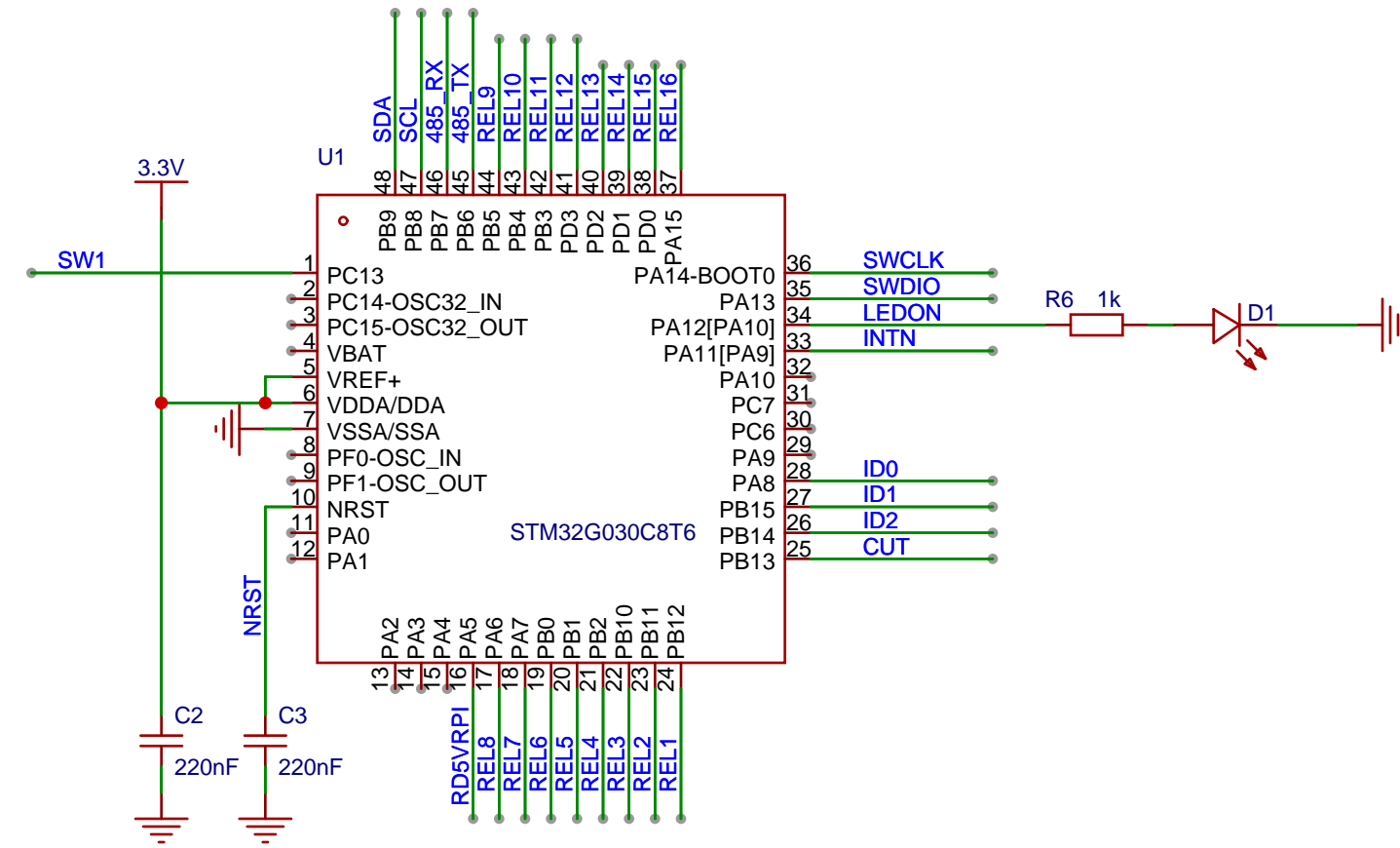
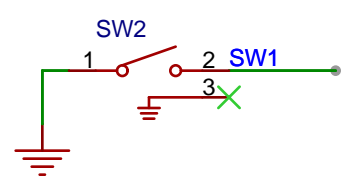
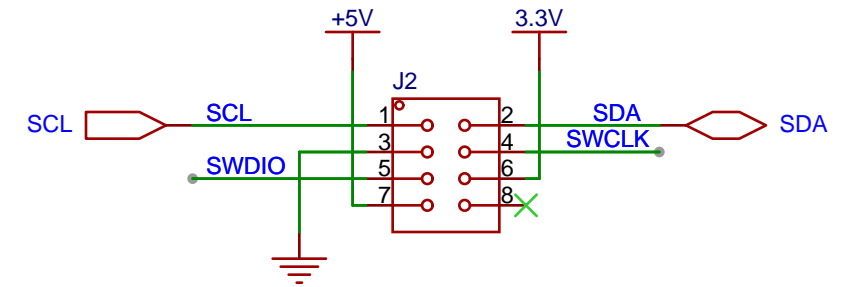
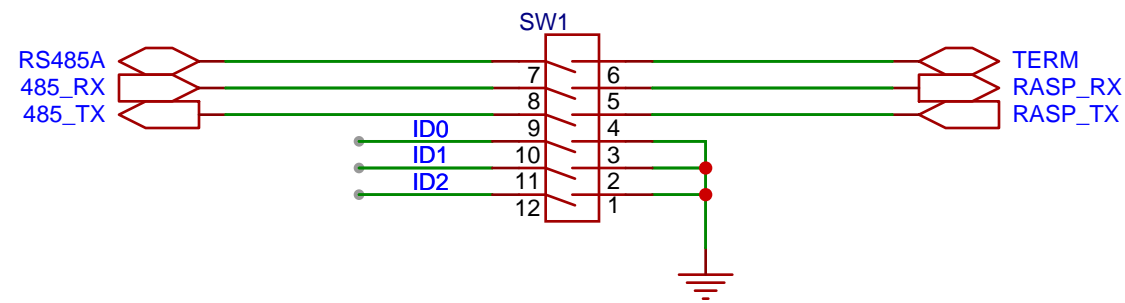
VER : 4.1

Created: 2022-09-12

Updated: 2023-11-25

UPC : 4782912926581

PAGE 1 OF 7



SEQUENTMICROSYSTEMS.COM

16-RELAYS-V4.1

SKU : SM-I-014

SCHEMATIC

PROCESSOR

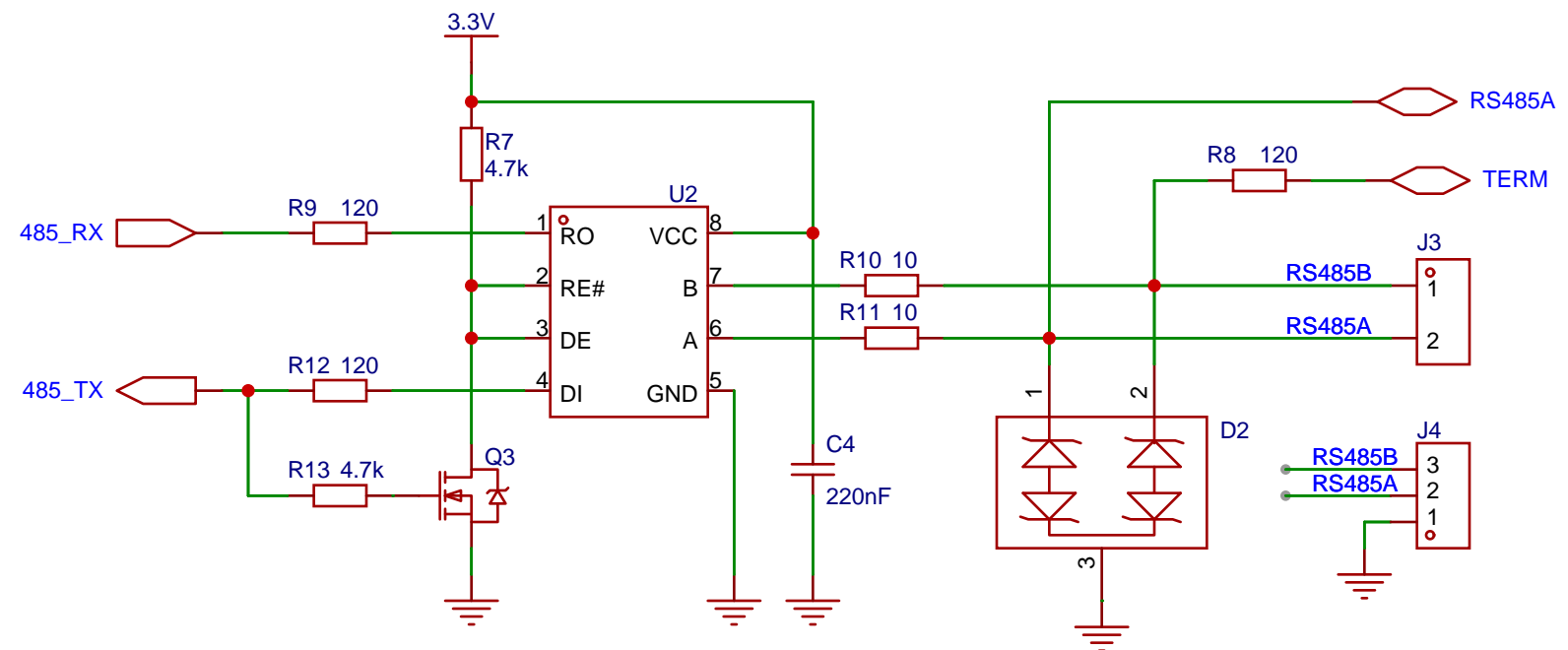
VER : 4.1

Created: 2022-09-12

Updated: 2023-11-25

UPC : 4782912926581

PAGE 2 OF 7



SEQUENTMICROSYSTEMS.COM

16-RELAYS-V4.1

SKU : SM-I-014

SCHEMATIC

COMMUNICATION

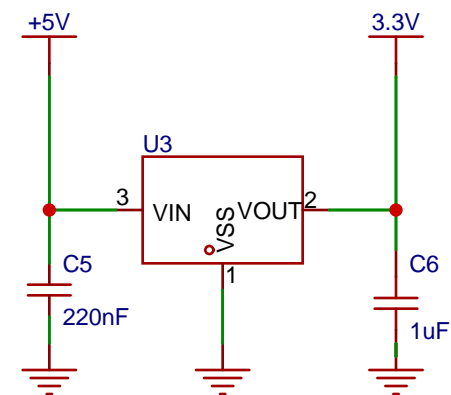
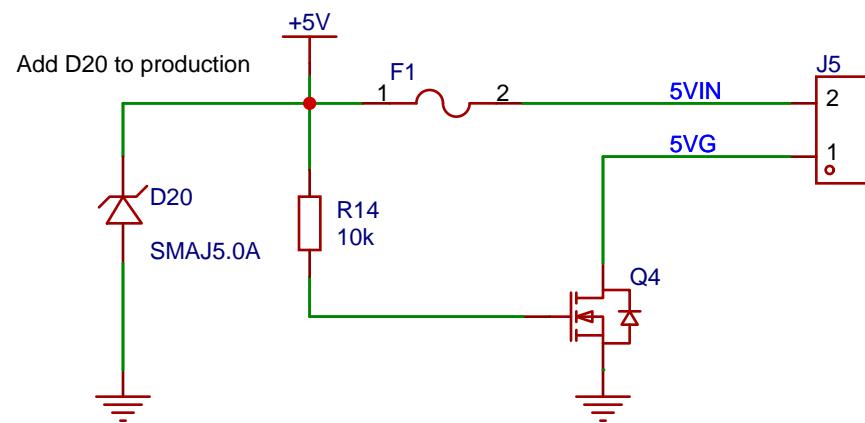
VER : 4.1

Created: 2022-09-12

Updated: 2023-11-25

UPC : 4782912926581

PAGE 3 OF 7



SEQUENTMICROSYSTEMS.COM

16-RELAYS-V4.1

SKU : SM-I-014

SCHEMATIC

POWER SUPPLY

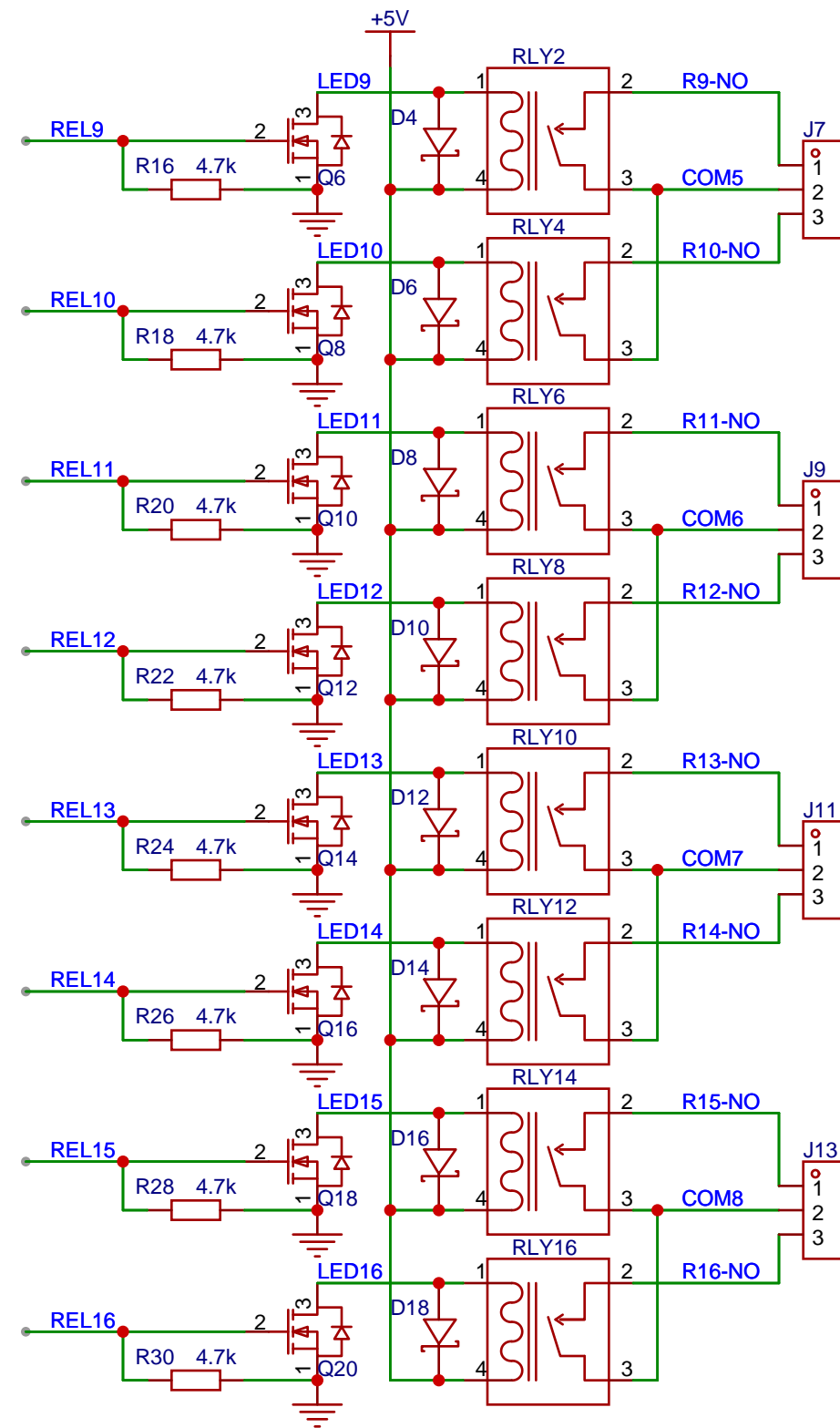
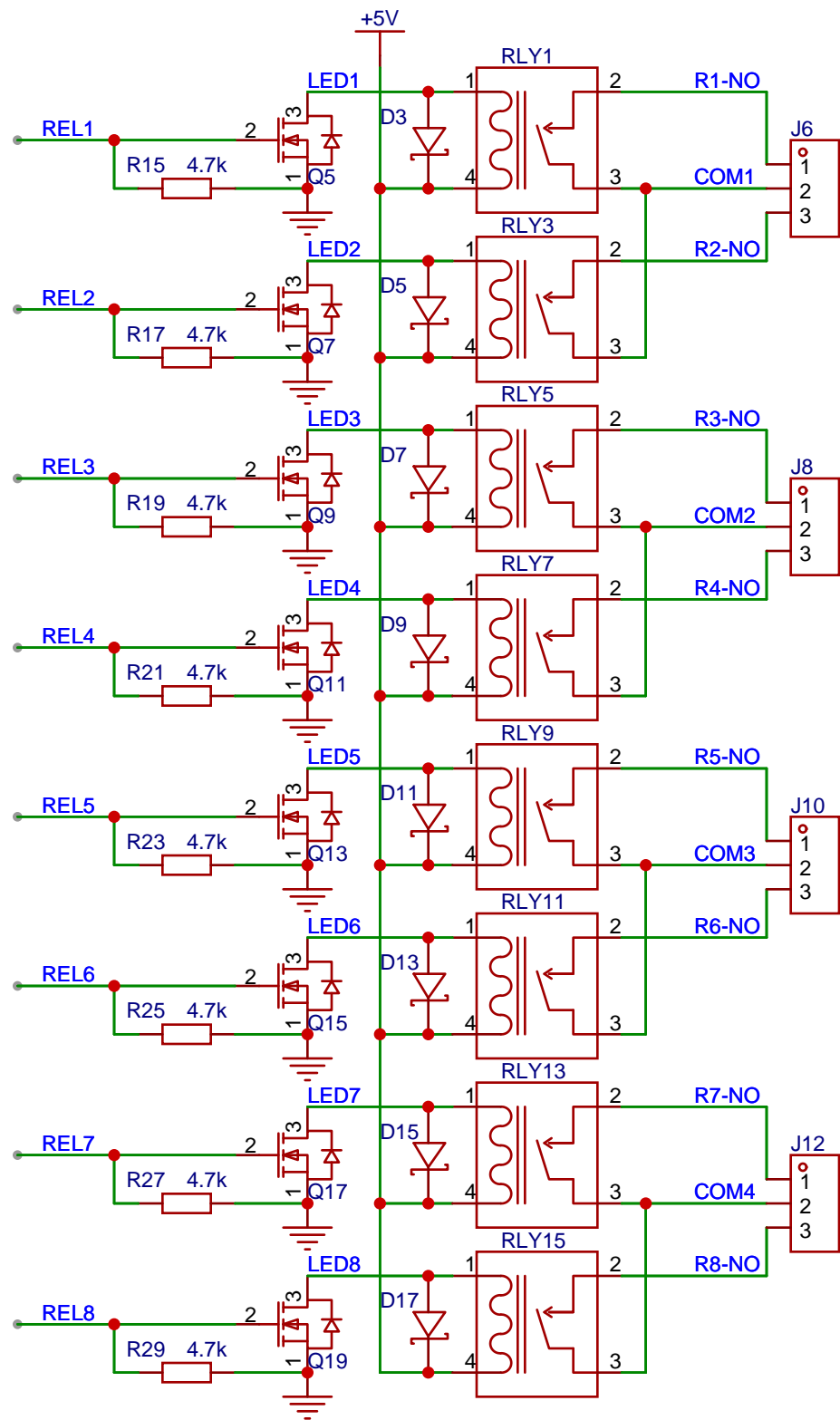
VER : 4.1

Created: 2022-09-12

Updated: 2023-11-25

UPC : 4782912926581

PAGE 4 OF 7



SEQUENTMICROSYSTEMS.COM

16-RELAYS-V4.1

SKU : SM-I-014

SCHEMATIC

RELAYS

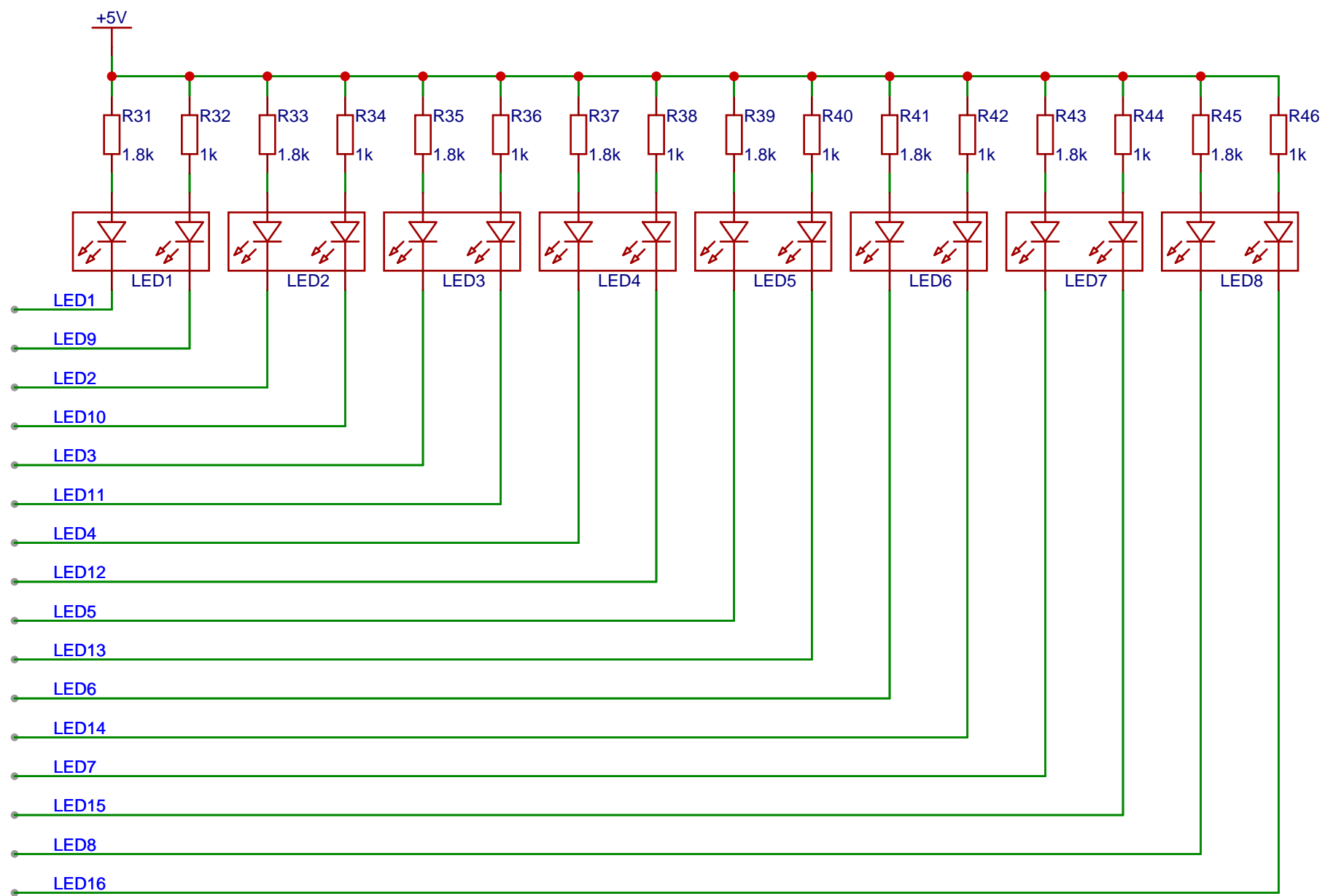
VER : 4.1

Created: 2022-09-12

Updated: 2023-11-25

UPC : 4782912926581

PAGE 5 OF 7



SEQUENTMICROSYSTEMS.COM

16-RELAYS-V4.1

SKU : SM-I-014

SCHEMATIC

LEDS

VER : 4.1

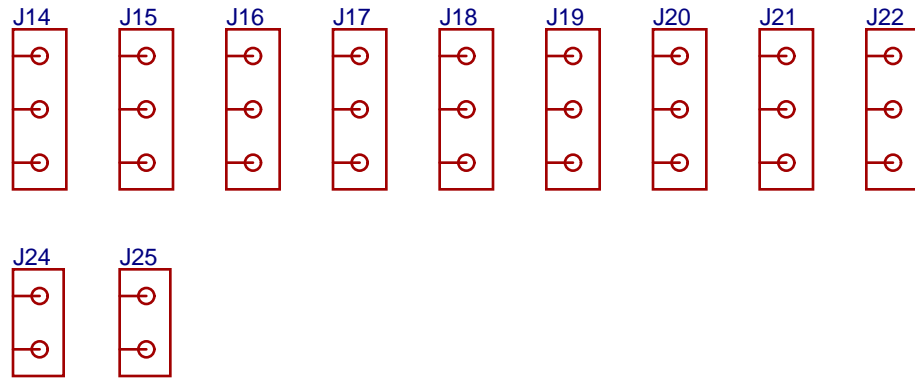
Created: 2023-01-09

Updated: 2023-11-25

UPC : 4782912926581

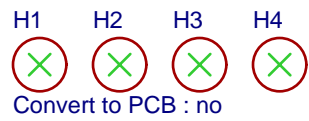
PAGE 6 OF 7

CONNECTOR PLUGS



J23
 RASPBERRY PI-4
 3D-MODEL
 Convert to PCB : no

MOUNTING HOLES

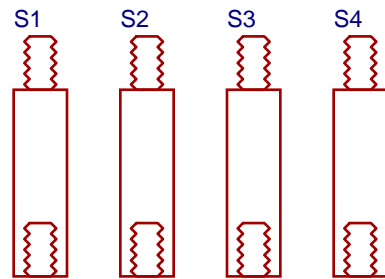


Convert to PCB : no
 HOLE COORDS
 138,138
 2421,138
 138,2067
 2421,2067

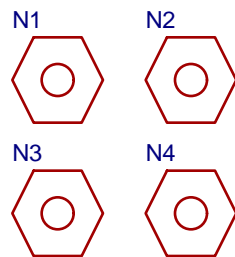


HOLES 5-8 HAVE STANDOFFS.
 CONVERT TO PCB ONLY ONE SET

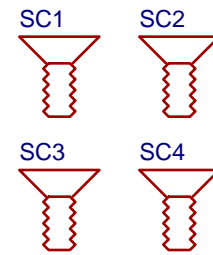
19mm STANDOFFS



2.5MM NUTS



2.5MM X 5MM SCREWS



SEQUENTMICROSYSTEMS.COM

16-RELAYS-V4.1

SKU : SM-I-014

SCHEMATIC

ACCESSORIES

VER : 4.1

Created: 2022-09-12

Updated: 2023-11-25

UPC : 4782912926581

PAGE 7 OF 7