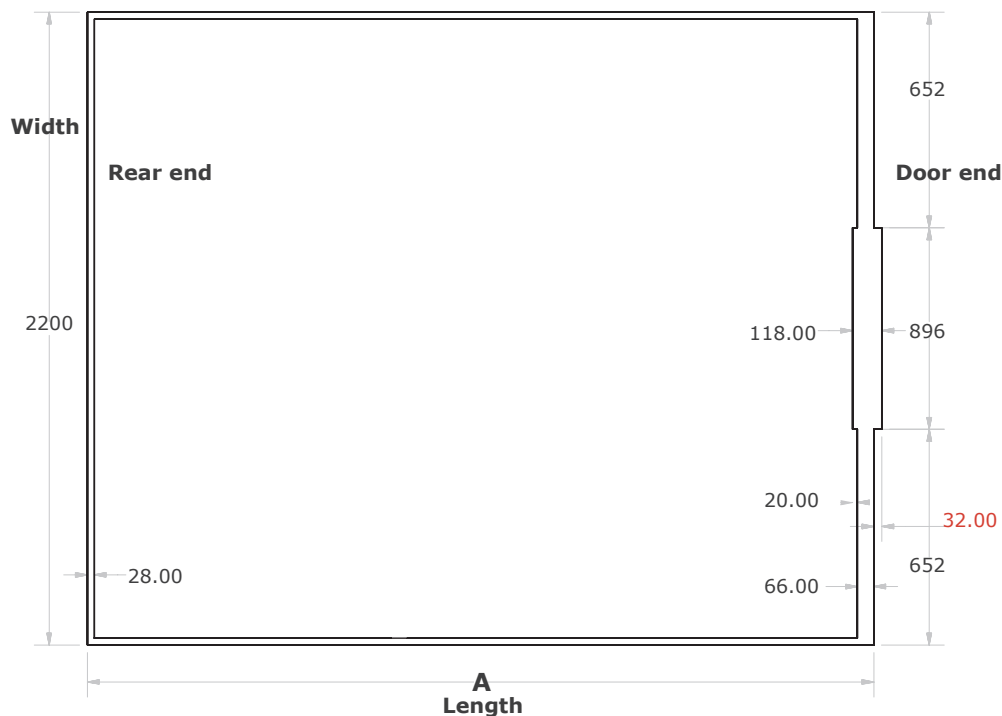


RHINO Ultimate

greenhousesdirect

Ultimate 7ft base instructions 2020



		8'	10'
Length mm	A	2541	3159

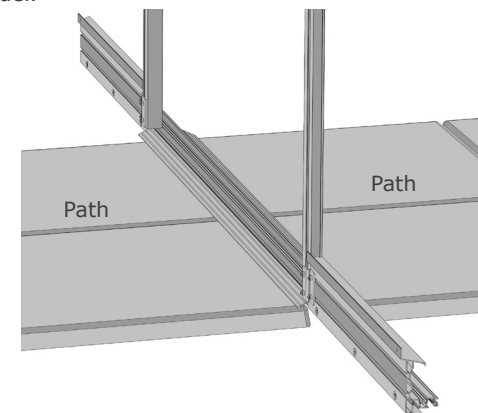
Base Footprint

The footprint shown here is the point of contact between the base section and the ground. The most common installation method is for the greenhouse to be sited on firm soil and for the ground Anchors (supplied) to be concreted into the soil after the greenhouse has been glazed. The location of the anchors varies according to the model.

Please ensure that **32.00mm** is added to the overall base length to accommodate the door ramp.

Soil bases

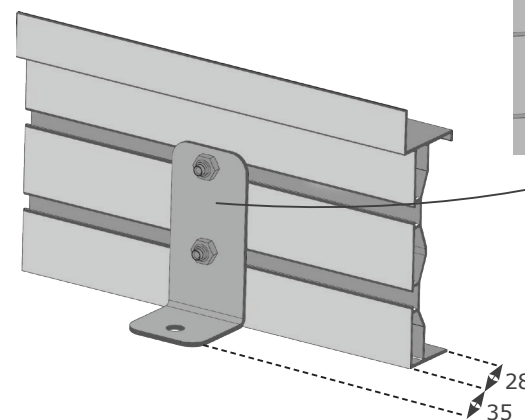
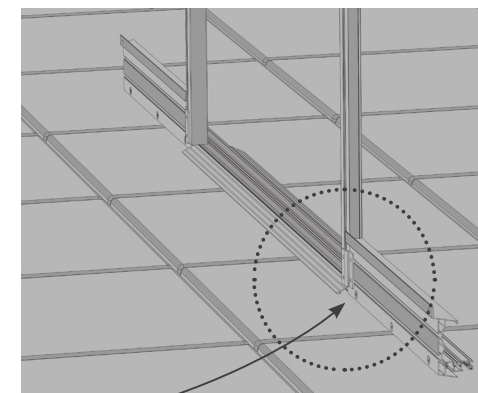
Please note that on completion of your Rhino, the internal and external ramps must be supported. The best way to achieve this is to excavate the soil and lay a path as shown.



Hardstand

The most common hardstand bases are either a full slab base, or full concrete base.

However if for example you decide on installing a concrete strip foundation, you must be sure to make allowances for fixing down through each anchor as shown below. Failing to make the concrete strip wide enough could result in the foundation cracking as you drill the anchors points.



Greenhouses Direct do not recommend the use of hardcore or hogging as suitable base materials due to issues surrounding levelling and securing of greenhouse.

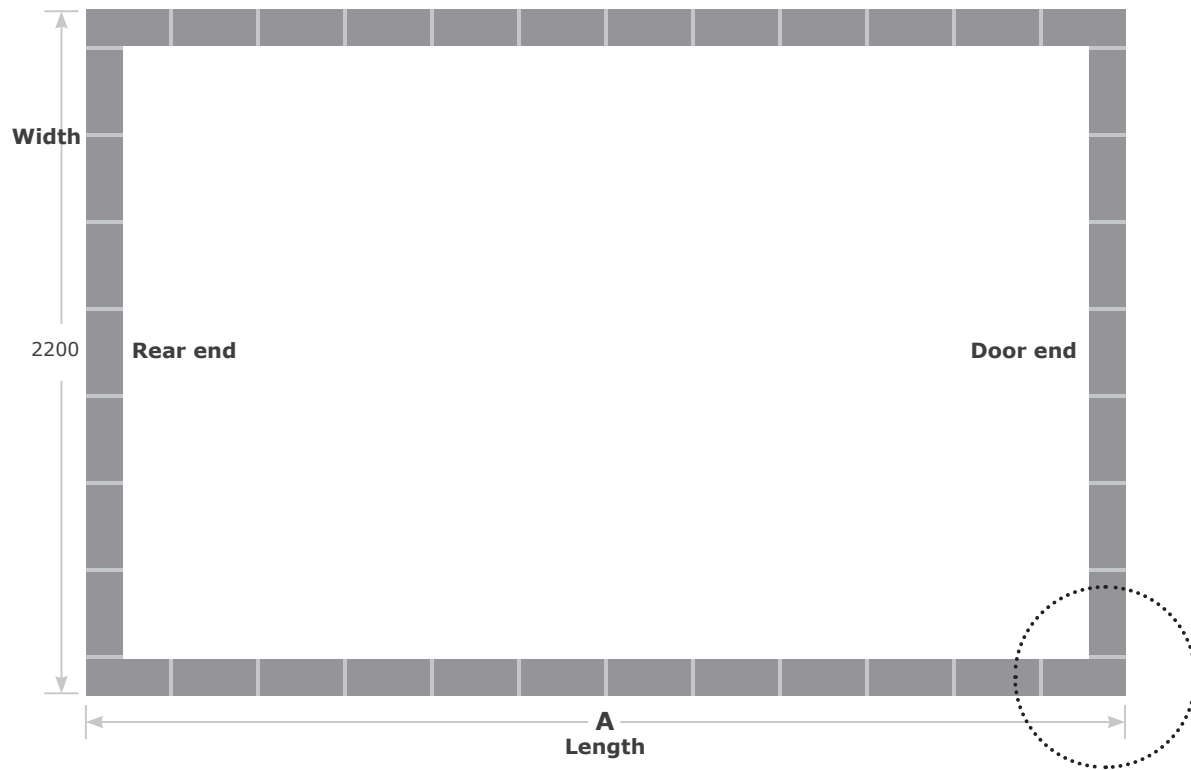
Brick Plinth Base plan

This Base plan must be adhered to allow the correct installation and subsequently allow for correct anchoring.

Once the base is built, position the greenhouse so that the Inside of the front door base is aligned flush with the inside row of bricks. The sides and rear base will finish flush with the

outside edge of the bricks. This will ensure that the Anchors can be fitted correctly. See below for full details.

Please note that on completion of your Rhino the internal ramp must be supported. The best way to achieve this is to install a path as shown.



		8'	10'
Length mm	A	2573	3191

Greenhouses Direct do not recommend the use of hardcore or hogging as suitable base materials due to issues surrounding levelling and securing of greenhouse.

If opting for this type of installation, please contact the service desk on 0344 493 1929 to request 2x modified ground anchors.

