

BEATBUDDY



Welcome

FIRMWARE V4.1.6 UPDATED MANUAL

REACH US!

Support@singularsound.com

We love to help! :-)

In order to benefit from all the latest features, it is necessary to have the most recent firmware version installed.

To check the firmware version on your BeatBuddy, press the Drum Set and Tempo knobs down at the same time and select 'About BeatBuddy'. The firmware version appears on the second line, and as of the writing of this manual, it is **4.1.6**.

We periodically release new firmware updates, so please check the link below to verify that you have the latest version.

Don't have the latest firmware?

Download it here: <https://singularsound.com/pages/support>

For the complete changelog of firmware improvements, see the end of this manual.

Important note about SD card compatibility

The SD card must be a standard size (i.e. not the mini SD cards) and needs to be between 4 and 32 GB in capacity. Class 10 is recommended.

Table of Contents

Quickstart Guide.....	4
Introduction.....	11
How to Plug in.....	13
How to use.....	19
Tips and Tricks.....	25
BeatBuddy Manager Software.....	27
Settings.....	28
I. Sleep Mode.....	28
II. Footswitch.....	28
III. Main Pedal.....	31
IV. Audio Settings.....	34
V. Font Size.....	34
VI. Sobriety.....	34
VII. About BeatBuddy.....	34
VIII. Restore Default Settings.....	34
Playlists.....	35
BeatBuddy Loader Software.....	36
MIDI and the BeatBuddy.....	37
Technical Support.....	62
Technical Specifications.....	63
Warranty.....	64
Changelog.....	65

Quickstart Guide

Quickstart

The BeatBuddy sounds best when played through a full-range, neutral stereo sound system. Many guitar and bass amps are either not full range (they muffle the higher frequencies) and/or cause distortion which lowers the quality of the BeatBuddy's sound. Acoustic guitar amps, PA systems, and home stereos tend to be neutral and full-range. If you're unsure about your sound system, listen to the BeatBuddy with high quality headphones to hear what it should sound like.

Tip: Plug BeatBuddy's headphone port into your home stereo or your amp's aux jack, if available.

The input jacks are there in case you want to put both the BeatBuddy and your instrument sounds into the same sound system without the need for a mixer.



LOOPER

Quickstart Guide

If you are plugging other pedals into the BeatBuddy, the BeatBuddy should be last on the pedal effects chain, after the looper, so that the BeatBuddy's sound isn't affected by your other pedals.



LOOPER

You do NOT need to have an instrument plugged into the BeatBuddy for it to produce sound.

Main Pedal

First tap: Start beat (with optional intro fill)

Tap once: Insert fill (different fill each time)

Hold down: Begin transition

Release: End transition, advance to next song part

Double tap: End song (with optional outro fill)

When no song is playing: Hold down to enter tap tempo mode



Quickstart Guide

Footswitch + Right Button

When song is playing: Pause*

When song is paused: Unpause beat*

When no song is playing: Advances to next song/folder*

Hold to enter/exit folder



Footswitch + Left Button

When song is playing or stopped:

Plays accent hit (can be any sound & different for each song part)*

*This is by default can be edited in the BeatBuddy Settings, see [pg. 28](#) of this manual.

Quickstart Guide

1. Visual Metronome: Shows where the beat is in the measure
2. Name of song
3. Current part
4. Playback status
5. Drum set currently selected
6. Volume and tempo values



- a. Volume knob: Adjusts the volume of the beats. Does not affect the sound level of any instrument that is plugged into the BeatBuddy
- b. Drum Set knob: Changes the drum set (sounds) being played by the beat. Rotate to scroll, press to select. Hold to save as default drum set for current song.
- c. Tempo knob: Changes the tempo (speed) of the beat, measured by BPM (Beats Per Minute). Hold to save as default tempo. When a song is selected within a folder, hold the tempo knob to add the song to a playlist. Read more about playlists on [pg. 35](#).
- d. Up/Down arrows: Scroll up and down in the screen menu
- e. Left/Right arrows: Selects folder/song (right arrow) exits folder (left arrow)
- f. Tap button: Enters Tap Tempo mode: Press the button or pedal to the tempo of a song, and the BeatBuddy will calculate the tempo BPM
- g. Headphones Volume: Controls the volume sent to the headphones jack (including beats and any instrument sound, if present)

Quickstart Guide

Footswitch Accessory

We highly recommend that you use the Singular Sound Footswitch+ (sold separately). We designed it to be whisper quiet and withstand the heavy use of a BeatBuddy performance, with ergonomic buttons that are comfortable even for barefoot players.



SD Card

All of the BeatBuddy's content (beats, drum sets, settings) are stored on the SD card. The SD card must be properly inserted into the BeatBuddy for it to work.

If you lose your SD card, you can download the default BeatBuddy content to put on a new SD card at:

singularsound.com/pages/support



Quickstart Guide

Download BeatBuddy Manager

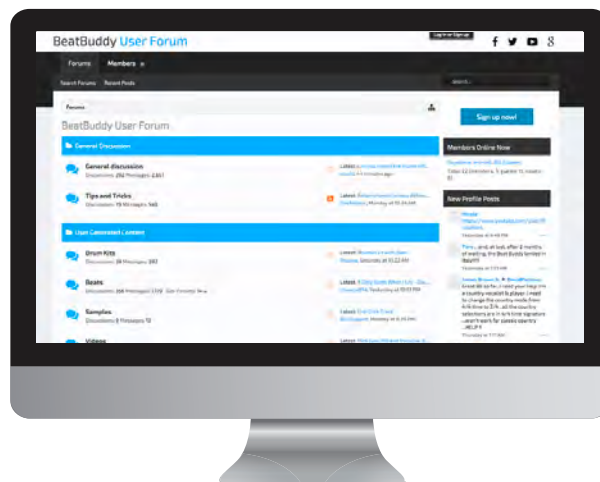
singularsound.com/pages/support



The BeatBuddy Manager software enables you to create set lists, rearrange your BeatBuddy content, load content that you have downloaded from the BeatBuddy Library or from the user forum as well as create your own songs using imported General MIDI files and create your own drum sets using WAV files.

Download Premium Content

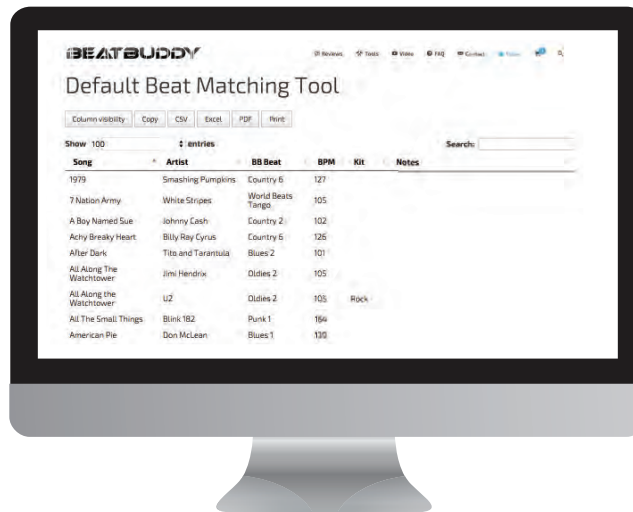
SingularSound.com/library



Share the content you create,
Discover user-generated content, &
Discuss ways to use the BeatBuddy on our community forum: SingularSound.com/forum

Quickstart Guide

Not sure which beat to use for your favorite songs? Try our [Song Matcher Tool](#)



We're here for you
support@singularsound.com

Please note: If your BeatBuddy starts acting strange, try unplugging the power for a minute then plugging it back in. If that doesn't work, please contact us.

We love to help!

BEATBUDDY PREMIUM CONTENT LIBRARY

Validate your warranty and take \$6 off any item in the BeatBuddy Premium Content Library! Yes, that includes \$6 drum sets and beats just register your BeatBuddy within 30 days of purchase at SingularSound.com/start



Introduction

***Congratulations** and thank you for purchasing your BeatBuddy!*

What it does

The BeatBuddy is the world's first pedal drum machine that enables musicians to easily control the beat hands-free. Just by pressing a pedal, you can start a beat, insert fills, transition from verse to chorus, throw in drum breaks (pauses), trigger accent hits (such as hand claps or cymbal crashes) and more! It is the closest thing to having a real drummer. And it won't drink all of your beer! In fact we have a **Sobriety setting** so you can control how drunk your BeatBuddy gets, no beer required! (for real)

Content format

The BeatBuddy is a MIDI based drum machine. The beats in the songs are MIDI files. MIDI files are like musical notes on sheet music, which tell the musician what to play on an instrument. The drum sets on the BeatBuddy are collections (libraries) of WAV sound files - which are recordings of the actual drum sounds. The MIDI files trigger the WAV files in the drum sets. That is how the BeatBuddy is able to play any beat, any time signature, using any drum set at different tempo settings to get a completely different sound.

Whenever possible, the BeatBuddy's drum sets and beats were set up using the General MIDI Drum Map, so that most beats work with most drum sets.

Please note that not all beats and drum sets sound good together -- it may sound strange to play jazz beats on a heavy metal drum set -- or it may sound cool! You decide.

Please Note: There is **one exception**, and that is the **Latin genre/drumset**. The Latin genre is exclusively compatible with the Latin drumset. We occasionally have some library content that also is mapped to the Latin drumset (e.g. a few songs in the Beatles package), and those songs are preset to use the Latin drumset as default.

Introduction

Content Organization

The BeatBuddy's beats are organized into 'songs', each comprising 'song parts' (such as verse or chorus). Each song part has a main beat loop, an accent hit and multiple fills associated with it. When transitioning between song parts, the song parts are played in order until the last song part is played, and then it goes back to the first song part. For example, if there are 3 song parts, it will play part 1, 2, 3 and then back to 1. If you wish to play song parts out of order, you will need to use a MIDI controller such as the [MIDI Maestro](#).

All beats and drum sets are stored on the SD card. If you lose your SD card, you can [download the content that came with your BeatBuddy](#) for free and place it on a new SD card.

What the BeatBuddy is Not:

The BeatBuddy is not a traditional drum machine:

Drum machines have traditionally been used to create beats. The BeatBuddy is a performance tool, and cannot be used to create beats. New beats can be created on the many beat creation software programs available (such as Guitar Pro, Cubase, ProTools, GarageBand, Ableton, EZ Drummer, etc.) and loaded onto the BeatBuddy with the BeatBuddy Manager Software (available as a FREE download at <https://singularsound.com/pages/support>).

The BeatBuddy is not a traditional effect pedal:

Unlike other effects pedals, the BeatBuddy is not intended to modify your instrument's sound. It has input jacks only in case you want to put both the BeatBuddy and your instrument into the same sound system without the need for a mixer. The beats are not changed by your instrument's sound. And your instrument's sound is not changed by the BeatBuddy. No instrument needs to be plugged into the BeatBuddy for it to work normally, so the BeatBuddy can be a stand-alone tool used by any musician.

How to plug in

Power

The BeatBuddy uses a 9V 500mA center-negative power supply.

If you use a power supply of more than 9V or plug it directly into AC power you will destroy your BeatBuddy, and your warranty will NOT be valid! This would be painful for everyone - especially your BeatBuddy. Do not do this!

The power supply must have a minimum of 300mA (0.3 Amps) for the BeatBuddy to turn on. More amps won't harm your BeatBuddy. If you use a center-positive adapter, it won't harm your BeatBuddy either, but your BeatBuddy won't turn on.

Using your pedal board's power supply

If you would like to use your pedal board's 'octopus' power supply (a single power supply that powers all of your pedals), make sure it is 9V and center negative (most are) BEFORE plugging it in! To calculate if your pedal board's power supply has enough Amps to power the BeatBuddy, add up all of the Amps that your other pedals require (usually written on the bottom of the pedal. Remember: 1000 mA [milliAmps] = 1.0 A [Amps]) and add 0.3 Amps for the BeatBuddy's requirement. If this total is more Amps than your power supply can produce (for example, the total of all of your pedals plus the BeatBuddy is 2.5 Amps but your power supply can only produce 2.0 Amps), then the BeatBuddy won't turn on (neither will any of your other pedals), because there isn't enough power available. PLEASE NOTE: Plugging the BeatBuddy (a digital pedal) into the same power supply as analog pedals (most effect pedals) can cause noise interference in the analog pedal sound. If you experience this, please use a separate power supply for the BeatBuddy.

SD Card

Compatibility: All SD cards 4-32 GB in capacity (outside that range will not work). Class 10 is recommended.

All of the BeatBuddy's content (songs/beats and drum sets) are stored on the SD card. The SD card must be properly inserted into the BeatBuddy for it to work.

How to plug in



The BeatBuddy SD card comes loaded with 10 drum sets and 200+ songs in many different styles. If you lose your SD card, you can download the default BeatBuddy content to put on a new SD card at <https://singularsound.com/pages/support/>.

Check out the BeatBuddy Premium Library Bundles:

<https://www.singularsound.com/pages/premium-library> for up to 1380+ additional songs and 22+ more drumsets.

Sound System

The BeatBuddy can be used without an instrument plugged into it - it will still produce sound. The input jacks are there in case you want to put both the BeatBuddy and your instrument signals into the same speaker without the need for a mixer. The BeatBuddy will combine any signal it receives in the input jacks with the signal it produces. The main volume knob just controls the level of the signal the BeatBuddy produces (the beats), not the signal it receives from the input jacks. The headphones volume wheel adjusts the combination of the input signal and the BeatBuddy's signal (the beats).

The BeatBuddy produces 'line-out' level analog signal, similar to a standard music player or computer headphones jack. You can plug the BeatBuddy into any speaker system that accepts 1/4" (6.5mm) or 1/8" (3.5mm) audio jacks.

How to plug in



However, like all audio, the better the sound system it is plugged into, the better the BeatBuddy will sound. The BeatBuddy sounds best when played through a high-quality full-range stereo sound system. A PA system or a home stereo system is ideal (you can plug the BeatBuddy's headphones port into the AUX input on your home stereo or guitar amplifier, if it has one).

Many electric guitar amps are not full range speakers (they clip off the higher frequencies), so they muffle the BeatBuddy's sound. Acoustic guitar and keyboard amps are full-range. If you're not sure if your amp is full-range, listen to the BeatBuddy on high-quality headphones to compare. If there is a noticeable difference in the audio, then connecting it to a higher quality full-range speaker system will enable you to hear the BeatBuddy's full potential. But as always, trust your own ears and do what sounds best to you.

How to plug in

If you have the BeatBuddy plugged into an amp, any effects on the amp will affect the sound of your BeatBuddy (unless the BeatBuddy is plugged into your amp's AUX jack, then it is fine). So if your amp's distortion is on, the beats will sound distorted. It is highly recommended to have your amp set to a 'clean', neutral tone for the best sound and use effects pedals instead of the amp's effects if you wish to have effects on your instrument sound. If you are using the BeatBuddy with other pedals, it is recommended to place the BeatBuddy after all of the other pedals in the effects chain so that the BeatBuddy's sound isn't affected by your other pedals.

The BeatBuddy will never damage your amp's speaker through normal use. Though, if you prefer using your amp exclusively for your instrument, you may use a separate amp for the BeatBuddy. This will also allow you to enjoy the built in effects of your main amp for your guitar without affecting the BeatBuddy's drum sounds.

One additional issue that may arise from using the same amp to play your guitar and the BeatBuddy's beats is that on some amps, the sound of the bass drum will cause the guitar to tremolo, or waver, a bit to the beat. While some people love this effect -- if you would like to reduce it, lower the Bass (Low) setting on your amp.

MIDI Connection

What is MIDI Sync? It is the transfer of MIDI Clock between two devices allowing them to become synchronized to the same time reference. The BeatBuddy can send and/or receive MIDI Clock, MIDI time signature, and MIDI Start, Stop, and transition (CC:102, see [the MIDI and the BeatBuddy section](#)) messages once connected to another device via MIDI.

In order to connect the BeatBuddy via MIDI, you need 2 cables: A [PS/2 to 5-pin MIDI Sync Breakout Cable](#), and a [standard male to male 5-pin MIDI cable](#).

The MIDI Sync Breakout cable has 3 ends: the small, singular end which connects to the BeatBuddy and the two split female MIDI ports (labelled IN and OUT) which connect to a standard MIDI cable. If the BeatBuddy is behaving as the transmitter (master) MIDI device, connect the receiver (slave) device to the OUT port on the MIDI Sync Breakout cable using the standard MIDI cable. If the BeatBuddy is behaving as the receiver MIDI device, connect the transmitter device to the IN port on the MIDI Sync Breakout cable using the standard MIDI Cable. You must use the standard male to male 5-pin MIDI cable to connect the other device to the MIDI Sync Breakout cable (See Graphics On Next Page).

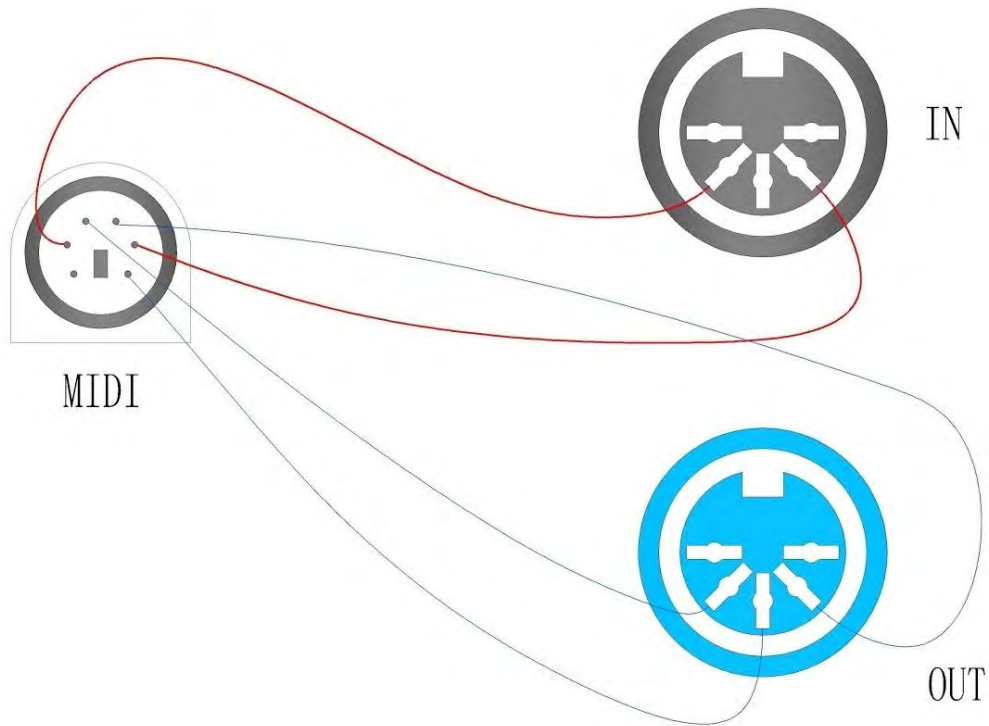
How to plug in



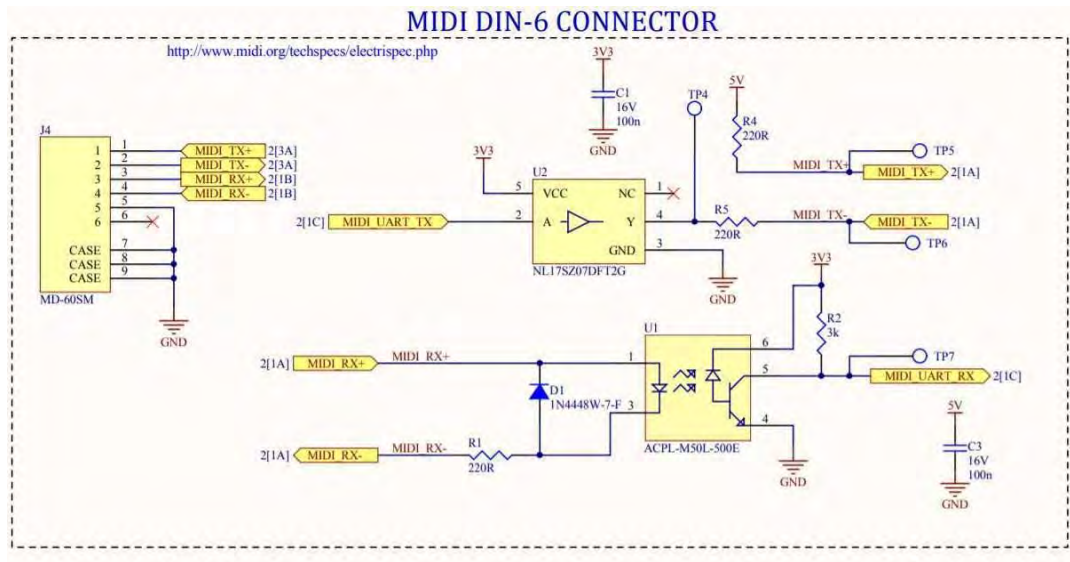
A typical configuration using both the IN and the OUT ports on the MIDI Sync Breakout cable at once. (Beatbuddy set to MIDI Merge see Section 8 MIDI and the BeatBuddy)

How to plug in

These images are for all you tech nerds, all the normal people can skip this schematics page.



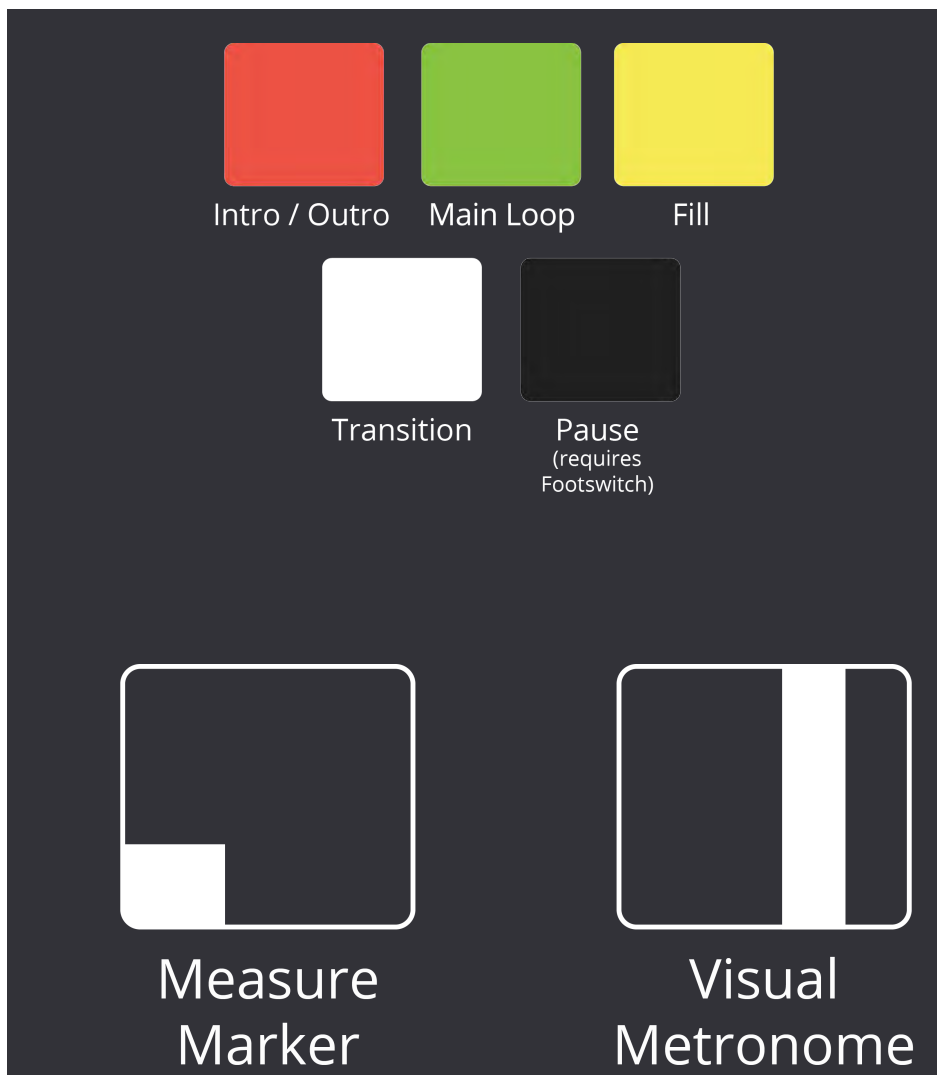
A breakdown of the MIDI Sync Breakout Cable's routing of MIDI data from the PS/2 connector to both the IN and Out Port.



A graphical representation of the PS/2 connector circuit.

How to use the BeatBuddy

Visual Display: The BeatBuddy uses a first of its kind visual display to show you what is going on with the beat. The screen changes color depending on what the BeatBuddy is doing.



The **Visual Metronome** has two main functions. The long vertical bar shows where the beat is within the measure. How many movements it takes to cross the BeatBuddy's screen depends on the time signature of the beat. If the time signature is 4/4, there are 4 beats in the measure and so there are 4 movements to cross the screen. If the time signature is 5/4, then there are 5 movements, etc. A small dark square in the bottom of the screen tells you what measure within a drum phrase you're in. Just like when a real drummer plays, each measure won't sound exactly the same.

How to use the BeatBuddy

Type of footswitch: It is highly recommended that you use the official Singular Sound Footswitch+ (sold separately), since we designed our Footswitch+ to withstand the heavy use of a BeatBuddy performance. If you are not using a Footswitch+, make sure that the third party footswitch is compatible with the BeatBuddy, and that the BeatBuddy is configured to the type of footswitch you are using. The BeatBuddy is compatible with standard momentary or latching dual footswitches which have a single TRS (Stereo) ¼" output (one switch is connected to the Left channel and the other to the Right). It is NOT compatible with ABY switches.

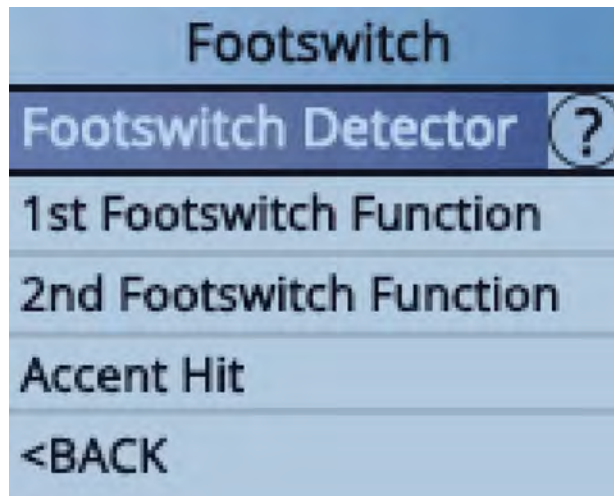


Make sure that the footswitch is connected to the BeatBuddy with a stereo Tip-Ring-Sleeve (TRS) cable and that the cable is plugged in all the way. If your ¼" cable has one circle on the metallic portion of the cable, it is NOT a TRS cable, it is a mono TS cable (and only one footswitch button will work if this cable is used). TRS cable = two circles on the plug of the cable. See the image below.



How to use the BeatBuddy

To configure the BeatBuddy to your footswitch, press the Drum Set and Tempo knobs down at the same time to enter the Settings menu. Select 'Footswitch' and then 'Footswitch Detector' and follow instructions. The BeatBuddy will save your settings, so you only have to use the 'Footswitch Detector' again if you use a different footswitch.



Onscreen status feedback: The BeatBuddy screen can report the following:

"STARTING" - The BeatBuddy is starting up

"NO SD CARD" - No SD card is inserted

"UPDATING BEATBUDDY FIRMWARE" - Firmware is being written to the device

"LOADING" - Parsing and loading the content

"EMPTY SD" - the SD card is empty (no song and drumset)

"INVALID SD" - Something went wrong, folder or drumset is missing

For video tutorials on how to use the BeatBuddy [CLICK HERE](#)

How to use the BeatBuddy

How to Update the BeatBuddy

The BeatBuddy has update-able firmware and has had many updates since it was released, to check the current firmware of your BeatBuddy, go to settings (press both the Tempo and Drum Set encoders at the same time) and scroll down to About BeatBuddy, select this option and check the current firmware.

The latest firmware is v4.1.6

Follow these steps to update your BeatBuddy:

1. Download the latest firmware .zip from the website or [the forum](#)
2. Unzip and open enclosing folder, copy and paste/ drag and drop all of the files into the BeatBuddy's formatted SD card
 - a. If your computer says that the files already exist, replace all of them, **do not merge**
3. Connect your BeatBuddy to a power source
4. Once powered on, insert the SD card, if you placed the update files correctly on the SD card the BeatBuddy screen will read "Updating Firmware" this will take a few moments
 - a. **DO NOT** unplug the BeatBuddy while it is updating the Firmware, this will **BRICK YOUR UNIT**, if you encounter any issues while updating please reach out to support@singularsound.com at your earliest convenience
5. Confirm the update in the settings in About BeatBuddy

[Check out this youtube video on the subject](#)

How to use the BeatBuddy

The Footswitch and Main Pedal (as of 4.1.x)

The BeatBuddy had some major changes in version 4.1.x, some of which required handling corner cases that many users found to be helpful, like pressing and holding the BB pedal to stop a song while paused. Unfortunately, this was causing some bugs when trying to allow more things to be done while paused if the main pedal was tapped or pressed and held.

Stopping While Paused using Main Pedal

In 4.1.x, you can achieve the exact same Press and Hold behavior while paused, but only if your Pedal Press setting (Main Pedal > Pedal Press) is set to *release*. If you are set to Release, you can have an option set for **tap** and an option set for **hold**. If set to Press, you will not have access to the **hold** commands and only the **tap** commands.

All Main Pedal and External unpauses settings are detailed on [pg. 32](#) of the Settings section.

You can set the BeatBuddy to stop by tapping, but some users have a tap option they prefer to use anyway. In this case, we point you to try out the new and improved EXT footswitch controls in 4.1.6. Read further to learn more or go to [pg. 28](#) to read more about the footswitch settings!

Stopping While Paused using Footswitch

There is now a **separate 'While Paused'** footswitch setting allowing you to set the behavior of the footswitch while paused and while playing without editing both at the same time.

To stop the song while paused, set one of the footswitches to play **Outro** while paused.

Then, to not play the outro and just stop the song, go to the External Unpause settings (Main Pedal > Unpause Behavior > External Unpause) and set it to 'Outro Stops Song'. This way you can still have a way to stop a song while paused, you can even do both with 2 buttons. This will also affect the behavior if sending MIDI Outro command to BeatBuddy while paused.

All Main Pedal and External unpauses settings are detailed on [pg. 32](#) of the Settings section.

After following these steps we would suggest having one footswitch button set to:

While Playing - Pause
While Paused - Unpause

And another button set to:

While Playing - Accent Hit/Fill
While Paused - Outro

This way you can have the normal behaviors and also the new benefit of choosing to stop the song while paused without losing the ability to use the accent hit while playing.

How to use the BeatBuddy

Navigation

To navigate through folders or within a folder hands free:

1. If a song is open
 - a. Use the right footswitch to advance to the next song by default. Both footswitches can be set to open the next or previous song in the current folder. Read more about how to set the footswitch on [pg. 28](#).
 - b. Hold the right footswitch button to open the folder list
2. If on Folder list:
 - a. Use the right footswitch button to advance to the next song in the current folder and the left footswitch to scroll to the previous song in the folder.
 - b. Short press on main pedal: Open selected folder
 - c. Hold press on main pedal: return to open song
 - d. Hold left or right external footswitch: Opens folder
3. If folder is open:
 - a. Short Press on main pedal: Selects and opens song
 - b. Hold press on main pedal: Goes back to folder list
 - c. Hold left or right external footswitch: Returns to folder list
4. In general, the Main Pedal switch has the following behavior:
 - a. short press → enters / select
 - b. hold press → go back / exit

Tips and Tricks

- Want to know which beat to use with a particular famous song? Try out our [Song Matching Tool!](#)
- If you accidentally double tap and the outro fill begins, you can cancel the outro with one more tap on the main pedal, and then the current song part will continue playing after the outro fill is finished.
- You can find out what any setting in the BeatBuddy does by highlighting the little (?) symbol next to it by using the right direction arrow and pressing the tap button to display the help text next to that setting.
- Navigate through settings, folder and song lists quickly by turning the Tempo knob. Pressing the Tempo knob selects an item and pressing the Drum Set knob exits the current setting or folder.
- End the song with fast presses on a cymbal crash accent hit to simulate a drummer doing a 'swell' as the song ends with a big finale.
- Stepping on both the Pause and Accent hit footswitches at the same time stops the drums with a crash cymbal sound (if the accent hit is a crash cymbal) -- a nice effect.
- While paused, unpause with a fill by pressing the main BeatBuddy pedal instead of using the footswitch to unpause with the regular main beat. This adds a dramatic flourish when unpausing the beat.
- Starting a song with a double tap will play just the outro fill and end the song... when only a single fill is required! Nice for when you're introducing your robot drummer to your audience!
- If the song or drum set name is too long to be displayed on the screen, you can see it scroll again by pressing the Drum Set or Tempo knob twice.
- Hold the Tempo or Drum Set knob down to set the default tempo or drum set (respectively). So if you like a certain tempo or drum set for a certain song, you don't have to adjust it every time you select that song. The setting will be saved!
- If you know you want a certain tempo or drum set, but are not sure which beat to use, disable the default tempo and/or drum set in the Settings menu (Settings
 - Main Pedal > Default Tempo/Drumset) so that you don't have to keep adjusting the tempo and drum set while changing songs.

Tips and Tricks

- Use the BeatBuddy Manager to create a folder on the BeatBuddy with the songs you'll use for a show (you can name these folders "Coffee House Gig", "Tuesday Nights", etc.), so you don't have to navigate to find the songs you want in a live performance.
- To navigate through folders or within a folder hands free:
 1. If a song is open:
 - a. Use the right footswitch to advance to the next song by default. Both footswitches can be set to open the next or previous song in the current folder. Read more about how to set the footswitch on pg. 28.
 - b. Hold the right footswitch button to open the folder list
 2. If on Folder list:
 - a. Use the right footswitch button to advance to the next song in the current folder and the left footswitch to scroll to the previous song in the folder.
 - b. Short press on main pedal: Open selected folder
 - c. Hold press on main pedal: return to open song
 - d. Hold left or right external footswitch: Opens folder
 3. If a folder is open:
 - a. Short press on main pedal: Selects and opens song
 - b. Hold press on main pedal: Goes back to folder list
 - c. Hold left or right external footswitch: Returns to folder list
 4. In general, the Main Pedal switch has the following behavior:
 - a. short press → enters / select
 - b. hold press → go back / exit
- You can load a rimshot sound ('ba dum tss') or the sound of applause into the first accent hit of a song (through the BeatBuddy Manager software), and use it as comedic relief in a show.
- You can add a WAV file of any sound to the EFFECTS folder in your BeatBuddy SD card and select that file as a Global Accent Hit. Then, it will play that sound in any song when you trigger an accent hit with the footswitch (Settings > Footswitch > Accent Hit > Source > Global choose Select to open sounds menu).
- Done with the BeatBuddy but don't want to disconnect every time? Put it in sleep mode! Just hold down both the Drum Set and Tempo knobs to enter the settings menu and choose sleep mode. The screen will power down.
- As of 3.9.9, sending the Outro command from the Footswitch pedal while the BeatBuddy is paused does not always stop the song, instead, if Outro is enabled, it will play the Outro. To get the previous behavior, go to Main Pedal > Unpause Behavior > External Unpause and set to "Outro Stops Song", this will also apply to any MIDI outro commands.
- As of 4.0.0, you can now create Playlists, simply scroll to select a song within a folder without opening it, and hold the tempo knob down, this will start the Playlist dialog. Songs in playlists can be moved and removed and playlists can be deleted (this doesn't delete the songs in the playlists!) Read more about playlists on pg.35.

If you think of a cool new tip or trick, please share it with the BeatBuddy community at <https://forum.singularsound.com>.

Thanks! :-)

BeatBuddy Manager

BeatBuddy Manager software (available for free download at <https://singularsound.com/pages/support/>) will enable you to manage BeatBuddy content.

- Re-arrange the content on the BeatBuddy
- Create folders of songs which can be used to organize your songs into setlists
- Create new songs by importing MIDI files
- Create drum sets by importing and arranging WAV file sound samples (to create/edit drum sets, please see the [Drum Set Maker Manual](#))
- Edit the default songs/beats
- Load an SD card with the content

To use the BeatBuddy Manager software with your BeatBuddy, you can either connect the BeatBuddy to your computer with the included USB cable (make sure the SD card is properly inserted in the BeatBuddy), or put the BeatBuddy's SD card in your computer's SD card reader. Then, when you are finished, insert the SD card back in the BeatBuddy.

For a Quick Start guide to the BeatBuddy Manager [Click HERE](#)

For **tutorial videos** on how to use the BeatBuddy Manager, [Click HERE](#).

Professionally produced additional beats and drum sets can be purchased and downloaded from the BeatBuddy Premium Content online Library at <https://library.mybeatbuddy.com/>, and free user-created songs and drumsets from the forum at <https://forum.singularsound.com/>.

Settings

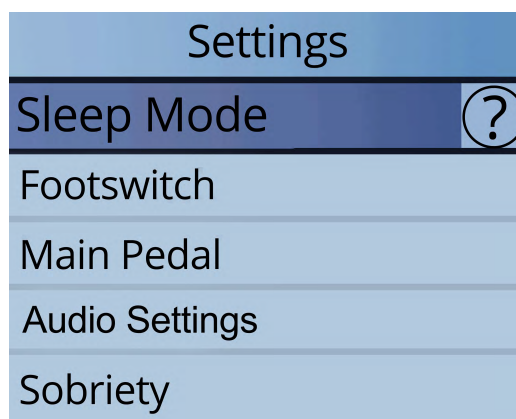
To enter the Settings screen, press down on the 'Drum Set' and 'Tempo' knobs at the same time.

The settings give you many options to customize the BeatBuddy to suit your needs and playing style. For your convenience, all default settings will be marked with an asterisk (*).

Tip: If you are unsure what a particular setting does, press the right arrow button (next to 'tap') to select the (?) and press 'tap' button to see a short explanation. Press the left arrow to exit the explanation.

Settings Table of Contents:

- I. **Sleep Mode**
- II. **Footswitch**
- III. **Main Pedal**
- IV. **Audio Settings**
- V. **Sobriety**
- VI. **About BeatBuddy**
- VII. **Restore Default Settings**



I. Sleep Mode

- This puts the BeatBuddy in a low power state and turns off the screen -- wake it up any time by pressing any knob, button or the main pedal. As of version 3.9.9 the BeatBuddy can be awoken from Sleep Mode by sending the BeatBuddy MIDI commands.

II. Footswitch

- **Footswitch Detector** - Detects the type of footswitch that is plugged into the BeatBuddy. Use this whenever using a new footswitch with the BeatBuddy or if your footswitch doesn't seem to be working correctly (such as if it only works every other press, or triggers a command on both the press and release).
- **1st/2nd Footswitch Function** - 1st = LEFT button, 2nd = RIGHT button. (NOTE: Because both the 1st and 2nd footswitch settings menus are identical, we will reference both at once)
 - **1st/2nd Main Pedal** - Sets the switch to act like the Main Pedal, with tap for fill, hold for transition, double tap for outro. Useful if you want the BeatBuddy somewhere other than the floor. Note that if you enable this function, all other available functions for this button will not be available (while playing, paused, or stopped).
 - Enable/Disable

Settings

- **1st/2nd Switch Stopped** - The function that the 1st (left) or 2nd (right) switch will do when pressed while no song is playing.
 - No Action - Nothing happens when pressed
 - Accent Hit* - Triggers a single sound that is set for the song part that is currently playing. If a song is not playing, it will play the accent hit of the first song part in the song (Note: You can set a 'Global' Accent Hit in the settings, read below)
 - Song Advance* - Loads the next song in the current folder (Holding the button down will Enter/Exit the folder). Pressing the Main Pedal opens the selected song.
 - Song Back - Loads the previous song in the current folder (Holding the button down will Enter/Exit the folder) Pressing the Main Pedal opens the selected song.
 - Tap Tempo - Sets the Tempo beats per minute (BPM) to the speed that the switch is tapped. *Tip: give at least 4 taps for most accurate tempo*
- **1st/2nd Switch Playing** - The function that the 1st (left) or 2nd (right) switch will do when pressed while a song is playing.
 - No Action - Nothing happens when pressed
 - Accent Hit* - Triggers a single sound that is set for the song part that is currently playing. (Note: You can set a 'Global' Accent Hit in the settings, read below)
 - Pause* - Pauses the beat.
 - Tap Tempo - Sets the Tempo beats per minute (BPM) to the speed that the switch is tapped. *Tip: give at least 4 taps for the most accurate tempo.*
 - Outro Fill - Triggers the outro fill and ends the song.
 - Next Part - Triggers a transition to the next part on the press and the BeatBuddy will complete the transition the next measure after footswitch is released.
 - Previous Part - Triggers a transition to the previous part on the press and the BeatBuddy will complete the transition the next measure after footswitch is released.
 - Half-Time - Engage or disengage half-time mode at the next measure
 - Double-Time - Engage or disengage double-time mode at the next measure
- **1st / 2nd Switch Paused** - The function that the 1st (left) or 2nd (right) switch will do when pressed while a song is playing or paused.
 - No Action - Nothing happens when pressed

Settings

- Accent Hit *- Triggers a single sound that is set for the song part that is currently playing. If a song is not playing, it will play the accent hit of the first song part in the song (Note: You can set a 'Global' Accent Hit in the settings, read below)
- Unpause * - Unpauses the beat.
- Tap Tempo - Sets the Tempo beats per minute (BPM) to the speed that the switch is tapped. Tip: give at least 4 taps for the most accurate tempo.
- Outro Fill - Triggers the outro fill and ends the song. Go to Main Pedal > Unpause Behavior > External Device Unpause to set whether the BeatBuddy will follow the outro settings to play the outro fill while paused or if it will always stop immediately. Read more about this on [pg 23](#).
- Next Part - Triggers a transition to the next part on the press and the BeatBuddy will complete the transition the next measure after footswitch is released.
- Previous Part - Triggers a transition to the previous part on the press and the BeatBuddy will complete the transition the next measure after footswitch is released.
- Half-Time - Engage or disengage half-time mode
- Double-Time - Engage or disengage double-time mode
- **Accent Hit** - Accent hit settings
 - **Source** - The source of the accent hit sound
 - **Default*** - The default sound per each individual song. This is the WAV file associated with each individual song part in the song.
 - **Global** - Sets one sound for all of the accent hits on your pedal, regardless of what song or song part is playing (you will be able **to choose which WAV file to use from a menu**).
 - **Select** - Choose which .wav file from the SD card's effects folder will be used as the accent hit, you can drag additional .wav files into the effects folder to have additional options, no need to use the BeatBuddy Manager necessary to add these to your SD.
 - **Volume** - The volume of the accent hit sound. 0dB is default.

Settings

III. Main Pedal

- **Intro** - What happens when a song is first started.
 - **Intro Fill*** - If an intro beat is present in the song, it will play normally.
 - **Count in** - Plays one metronome click for each beat of one measure and then starts the first song part beat.
 - **Intro or Count In** - The BeatBuddy will play the intro if there is one and will play a counting if there is no intro.
 - **None** - Immediately starts the first song part beat.
- **Transition** - If the transition is enabled, the BeatBuddy will play the transition fill in a loop until the main pedal is released or the Complete Transition MIDI command (CC:113 value 0) is received. If the transition is disabled, then the BeatBuddy will not play the fill and will wait to transition at the next measure until the Main Pedal is released or the Complete Transition MIDI command (CC:113 value 0) is received
 - Enable */Disable
- **Outro** - Enables or disables the Outro on the BeatBuddy. If disabled, instead of playing the outro, it will just stop the beat at the end of the measure.
 - Enable*/Disable
- **Double Tap** - Enables or disables the BeatBuddy's default double tap to play the outro. Some users accidentally hit the double tap, so would prefer to disable this. As long as Outro is enabled, you can always stop the song with a pause (footswitch), then while paused hold the main pedal down to stop the song, or you can set one of the footswitch buttons to trigger the Outro Fill and end the song with one tap.
 - Enable*/Disable
- **Triple Tap Stop** - When enabled, allows the function of stopping the song immediately with a quick triple tap (Please Note: When Disabled, a tap during the outro fill will cancel the outro fill and continue playing the current song part).
 - Enable/Disable*
- **Transition Forgiveness** - When enabled, the BeatBuddy will allow a small window of time (300 ms) after the start of the measure for the user to send a Complete Transition command (CC 113 value 0). If the command is sent in the time window, the BeatBuddy will change Parts immediately without losing its count and without playing a transition. This is to avoid a late transition when using a MIDI controller, the Aeros, and the BeatBuddy. This must be enabled to work with the Aeros as Transmitter (Master).
 - Enable* /Disable

Settings

- **Default Tempo** - When enabled, it will automatically load the saved tempo for each song. However, if you know the tempo of a song you want to play and are searching for the best beat, select 'Disable' so the tempo doesn't change every time you change the song. Tip: To change the default tempo of a song to the current tempo, press and hold down the tempo knob.
 - Enable*/Disable
- **Default Drum Set** - When enabled, it will automatically load the saved drum set for each song. However, if you want to try a few different songs with the same drum set, select 'Disable' so the drum set doesn't change every time you change the song. Tip: To change the default drum set of a song to the current drum set, press and hold down the drum set knob.
 - Enable*/Disable
- **Mute Pause** - When enabled, mutes the beat while paused, instead of stopping it. To be used if the BeatBuddy is 'Slave' (controlled by an external MIDI clock device) so it stays in sync when paused.
 - Enable/Disable
 - **MIDI-Activated*** - Mute Pause is automatically enabled when the BeatBuddy is acting as Slave in MIDI Sync.
- **Unpause Behavior**- Sets what happens when the BeatBuddy is unpaused.
 - Main Pedal Unpause - Sets what happens if the Main Pedal is pressed while the BeatBuddy is paused. Note: If Start Beat is set to Press, the unpause behavior will only be allowed to be set on the Tap. This is to avoid unwanted actions occurring on the tap while paused.
 - Tap - While paused and the main pedal is tapped (pressed quickly).
 - Intro
 - Fill*
 - Start Transition
 - Stop Song
 - Hold - While paused and the main pedal is held down. (Please Note: This function will not work if Start Beat setting [read below] is set to Press)
 - Stop Song*
 - Start Transition
 - External Unpause - Sets what happens when an external device sends a command to the BeatBuddy from a paused state.
 - Outro
 - Follow main pedal outro setting
 - Outro stops Song

Settings

- **MIDI Settings** - Please refer to the [MIDI and the BeatBuddy](#) in this manual.
- **Cue Fill Period** - Controls when the fill is triggered after the pedal is pressed. Please note that even when set on 'Immediately', if you press the pedal in the last half beat of the measure, it will play the fill in the next measure, because it's very unlikely that you want less than a half beat fill, so you probably pressed it too early.
 - Immediately*
 - Next Half Beat
 - Next Beat
 - Next Measure
- **Start Beat** - Controls whether to start the beat on the press of the pedal or release. Press is more immediate, but if you set it to Press, you cannot use the Hold pedal features (enter tap tempo from Stopped mode, stop song or start transition from paused mode). *Note: If Start Beat is set to Press, then the Main Pedal Unpause sub-setting, Hold, will not be available and hold commands will behave as expected in the case hold is detected.*
 - Press*
 - Release
 - Tap Tempo Mode: If enabled, holding the pedal from a stopped state will enter a tap Tempo mode where the user can tap the desired Tempo using the main pedal. Tap Tempo mode can be accessed from stop state if the main pedal is set to respond on the release.
 - Enable */Disable
- **Visual Metronome** - Sets when the Visual Metronome (the moving bar on the screen) is active.
 - Stopped & Playing*
 - Playing Only
 - Disable

Settings

IV. Audio Settings

- Drum Output - The BeatBuddy produces stereo audio. If you want the BeatBuddy to play back in true stereo, set this to stereo. If you would like the signal to summate into mono, and for both inputs to be sent to both outputs, set this to mono. This affects the headphone output as well.
 - Mono/Stereo*
- Release Time - Period of time over which the BeatBuddy fades out a choked sound (advanced feature -- leave this alone unless you understand it).
 - 0ms - 250ms, default is 100ms

• Font Size

- Sets the text size of the content and settings menu
 - Normal
 - Large
 - Extra Large

• Sobriety

- Makes the BeatBuddy play like it's been drinking! Great practice for those real life situations, or just to make your friends laugh :-)
 - **Sober:** BeatBuddy plays normally
 - **One Beer:** BeatBuddy shifts 1 or 2 BPM
 - **Tipsy:** BeatBuddy shifts 5-10 BPM
 - **Drunk:** Even More BPM changes and throws in a random drum fill
 - **Wasted:** All over the place with shifting tempo, random fills, transitions and accent hits

Note: If this setting is used while paired with the Aeros via MIDI sync, the Aeros will encounter a MIDI desync caused by a tempo mismatch. To avoid a mismatch, use the BeatBuddy on the Sober setting.

VII. About BeatBuddy

- Unique BeatBuddy ID number and current firmware version.

VIII. Restore Default Settings

- IX.** Restores settings to the way they came from the factory.

Playlists

New feature: As of version 4.0.0, the BeatBuddy has playlists!

Now, you can add any song you have on the SD to a playlist folder (1-17). To do this, simply highlight the song without opening it in the folder view (press the left arrow on the keypad to exit the song screen and enter the list of songs within a folder), and long-press the Tempo encoder. This will open a pop-up to choose the Playlist you want to place the song in.

Steps to Create a Playlist on the BeatBuddy

1. While a song is open, press on the left arrow key in the keypad to show the list of songs in the current folder
2. Using the Tempo encoder, scroll to the song you wish to add to the playlist
3. While highlighting the song, press and hold the Tempo encoder, this will open a list of all the possible playlists (1-17)
4. Using the keypad or the encoder, highlight and select the playlist you want to add the song to

Playlists can have up to 128 songs in them. The songs in playlists are not copies, they are just a way to collect the song files you have on your SD in order quickly for the sake of a performance or session.

Playlists can be removed on the BeatBuddy by selecting the Playlist in the root folder screen and long pressing the Tempo encoder, a pop-up will ask if you wish to delete the playlist. Deleting a playlist will not delete the songs in the playlist.

Songs within the playlist can be moved in the playlist or removed by first selecting the song and long pressing the Tempo encoder. The pop-up will have the three options: Move, Remove, Cancel. Removing all songs deletes the playlist, but it can always be repopulated with songs.

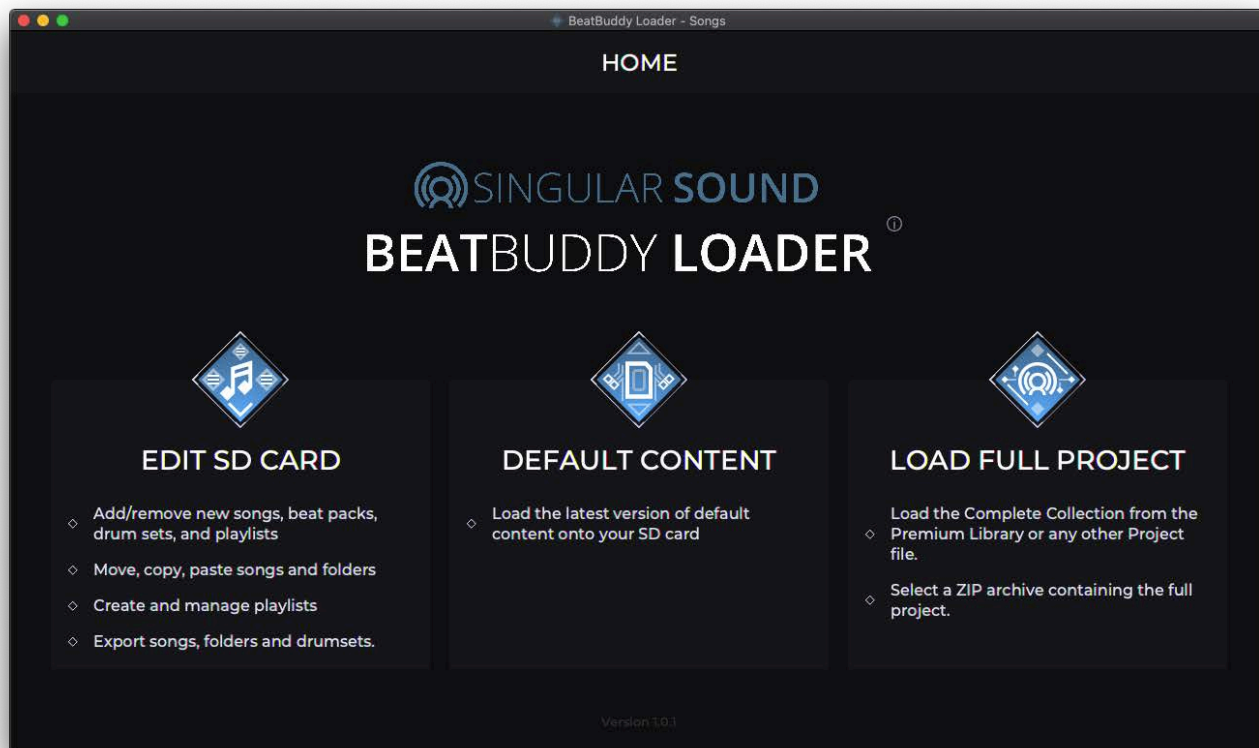
To move a song within the playlist, select 'Move' and use the tempo encoder to choose the new location for the song and press the encoder to place it.

We have also changed the way the BeatBuddy will read the MSB, LSB, and PC commands. Now the BeatBuddy will only need to receive an LSB and PC command to select a song, MSB commands will no longer be supported. This was done to support the new MIDI song select behavior in Aeros version 4.1.x. The Aeros is now on version 5.1.x!

When using the default Song Select setting the playlists will be recallable using the MSB Layer 127 followed by a PC command. If on Aeros Mode, the playlists will be recallable using the LSB layers 111-127, sending a PC command will select the song within the playlist in order. This means that, in Aeros mode, only the first 11 folders on the BeatBuddy will be mapped by MIDI. LSB layer 111 = Playlist 1, LSB layer 112, = Playlist 2, ... LSB layer 127 = playlist 17, etc. Read more about song selection on pg. 49 in the MIDI and the BeatBuddy section.

To edit Playlists on the computer, you must use the BeatBuddy Loader software, Playlists are not supported on the BeatBuddy Manager 1.x.x software. There could be unexpected issues if using both the BeatBuddy Manager 1.x.x and BeatBuddy Loader simultaneously.

BeatBuddy Loader Software



The BeatBuddy Loader is meant to make organizing the BeatBuddy content easy and straightforward, like using your own computer's file system.

Simply pop in your SD card to your computer and use the BeatBuddy Loader to organize your existing project or load existing, default, and/or Premium content onto an SD.

The software also allows easy renaming, moving, and exporting of all supported files. It also includes playlist support for BeatBuddy version 4.1.6! Read about the BeatBuddy Loader in [its own manual](#).

Easily manage multiple projects seamlessly; back up your content easily and securely, never lose your stuff again!

This software is not meant to be a full replacement for the BeatBuddy Manager, the wav and midi files cannot be accessed, edited, or managed like in the BeatBuddy Manager, there is also no song or Drum Set creation/editing.

[Download it here.](#)

MIDI and the BeatBuddy

Overview of MIDI

What is MIDI??

- MIDI (Musical Instrument Digital Interface) is the digital language that musical equipment uses to communicate. By using MIDI, the BeatBuddy can either receive commands (BeatBuddy is the MIDI receiver/slave) or send commands (BeatBuddy is the MIDI transmitter/master). It can also send and/or receive tempo information from other devices, making it easy to synchronize your set-up

How do I connect my BeatBuddy with MIDI??

- There are 2 cables required to connect your BeatBuddy to another device: A MIDI Sync Breakout cable and a standard 5-pin male-to-male MIDI cable (both sold separately on our website).
 - On the left side of the BeatBuddy there is a “MIDI Sync” port. A special MIDI Sync breakout cable is required to convert the BeatBuddy’s PS/2 MIDI Sync port into 2 standard full size 5-pin MIDI ports for MIDI IN and MIDI OUT. You will also need at least one standard 5-pin MIDI cable to connect the MIDI Sync Cable to your other MIDI compatible device(s).

When BeatBuddy is Transmitter:

- Connect the OUT port on the MIDI Sync cable to the other device’s IN port using the standard MIDI cable.

When BeatBuddy is Receiver:

- Connect the IN port on the MIDI Sync cable to the other device’s OUT port.

Tip: The BeatBuddy can be both Receiver to one device and Transmitter another simultaneously.

MIDI and the BeatBuddy

What can I use MIDI for?

BeatBuddy is Transmitter (“Master”) (MIDI OUT):

- **Sync your looper to the BeatBuddy:** MIDI Sync is a powerful tool to integrate the BeatBuddy with your other MIDI enabled devices, such as MIDI Sync enabled loopers and effects, to create a powerful performance or recording system.
 - For example, when the BeatBuddy is synced with a MIDI Sync enabled looper (such as the Aeros Gold Edition, the best looper to use with the BeatBuddy), the looper can complete the loops exactly on the beat automatically, so that the recorded loop stays in sync with the drums.
 - When using the Aeros with the BeatBuddy, the devices re-sync at every measure, eliminating any chance for drift (a common issue with loopers since there are tiny differences in MIDI timing that add up).
 - If you use a looper without MIDI sync with the BeatBuddy, there will be noticeable time-shift or drift. Even a few milliseconds off can become noticeable as it continues to loop.
 - The BeatBuddy also sends out MIDI Start and Stop commands so that the looper starts and stops at the same time the BeatBuddy does (though not all loopers follow these commands, some just work with the sync).
 - You have full control of which commands BeatBuddy sends and reacts to in the MIDI settings, as explained later in this section.
- **Pause during MIDI Sync:** When using MIDI Sync, the BeatBuddy’s pause feature can operate in two modes, Normal Pause and Mute Pause.
 - **Normal Pause:** When the BeatBuddy is paused, MIDI Stop command is sent by the BeatBuddy (through the MIDI OUT port) to stop all synced devices. When unpaused, MIDI Start is sent to restart all synced devices. The beat is restarted at the beginning of the measure to keep in time with other devices. This behavior is relevant when the BeatBuddy is acting as Transmitter in MIDI Sync.
 - **Mute Pause:** When the BeatBuddy is paused, no MIDI control commands are sent to other devices, allowing them to effectively continue playing. The BeatBuddy only mutes its own sound, and continues playing the beat in time. When unpaused, the BeatBuddy unmutes and continues playing drums. This behaviour is recommended when the BeatBuddy is acting as Receiver in MIDI Sync.
 - **MIDI-Activated:** If the BeatBuddy is receiving MIDI clock, it will automatically set the Pause mode to Mute Pause. If the BeatBuddy is not receiving MIDI clock, it uses Normal Pause.
 - Mute Pause can be set at Settings > Main Pedal > Mute Pause

MIDI and the BeatBuddy

BeatBuddy is Receiver (“Slave”) (MIDI IN):

- **Quick song selection.**
 - You may have 3,000 songs in your repertoire and you play gigs where you get random song requests from the audience. Though you have already figured out which BeatBuddy beats go with which songs in your repertoire (or used our handy [Song Matching Tool](#)), you don’t want to have to search through all of the BeatBuddy’s folders for the right beat when you get a song request.
 - With MIDI, you can use an iPad app such as [OnSong](#), which has your song database of lyrics and chord charts so that when you pull up the chord chart to a song on OnSong, it will change to a certain BeatBuddy song which matches it.
- **Additional control with external MIDI footswitch.**
 - Some users want a footswitch for every function (drum fill, transition, outro, tap tempo, skip to different song parts out of order, more accent hits, better tempo controls, etc.).
 - So we have created a special ‘CC’ MIDI command for practically every function the BeatBuddy has, so you can control the BeatBuddy from another device. (We recommend our universal MIDI foot controller, the [MIDI Maestro](#). It comes with a built in [BeatBuddy mode](#) for easy plug-and-play.)
- **Trigger the BeatBuddy’s super awesome drum sounds with an electronic drum set. Use the BeatBuddy as your Drum Brain!**
 - So you have a cheap electronic drum set and you hate the way it sounds.
 - You can connect the MIDI OUT from the drum set to the MIDI IN on the BeatBuddy and when you play on the electronic drum set, it will play the BeatBuddy’s award winning super high quality sounds!
 - This is also useful when you’re composing beats in your DAW and want to test how they will sound on the BeatBuddy -- no need to load the MIDI files into the BeatBuddy -- just stream the MIDI notes!

Make sure to enable Transition Forgiveness in the Main Pedal settings to ensure the Aeros Transition commands work correctly when using the Aeros as Transmitter and BeatBuddy as receiver. This is enabled by default.

MIDI and the BeatBuddy

I. MIDI Settings

For your convenience, all default settings will be marked with an asterisk ()*

MIDI-IN - These settings control what the BeatBuddy does when it receives MIDI commands from an external device.

- **System Real Time**
 - **Sync** - When enabled, the BeatBuddy sets its own tempo based on the tempo (MIDI Clock) that it receives. If disabled the BeatBuddy ignores any tempo sent to it.
 - Enable*/Disable
 - **Start** - When enabled, the BeatBuddy starts playing upon receiving the MIDI command from an external device. If disabled BeatBuddy ignores all Start commands it receives.
 - Enable*/Disable
 - **Stop** - When enabled, BeatBuddy stops playing upon receiving the Stop MIDI command from an external device. If disabled the BeatBuddy ignores all Stop commands it receives.
 - Enable*/Disable
- **MIDI Channel Number** - Sets which channel [1-16 or ALL/OMNI] the MIDI commands are received from. It's important that the BeatBuddy is receiving MIDI commands on the same channel that your external device(s) is/are sending them.
 - Channels 1-16 available. The default is OMNI (ALL), which means the BeatBuddy listens to all MIDI channels.
- **Note On**
 - **Enable***: When the BeatBuddy receives MIDI notes, it will play the corresponding sounds on the BeatBuddy drum sets. This is very useful if you want to play an electronic drum set but hear the high quality BeatBuddy sounds. Connect the electronic drum set's MIDI OUT to the BeatBuddy's MIDI IN and as you play on the electronic drum set, the BeatBuddy will produce its famous award-winning sound to your playing
 - **Disable**: BeatBuddy ignores all MIDI notes it receives.
- **Note Off**
 - **Choke Notes**: When the BeatBuddy receives the MIDI Note Off command, it will stop playing the sound in the drum set that corresponds with that note. This is used mostly for long note sounds, such as bass or piano in custom made drum sets that include these instrument sounds. However, this sometimes can cause issues with sound playback, depending on the type of device that is used. So unless you have a drum set with other instrument sounds other than drums, it's best to leave this disabled.
 - **Ignored***: BeatBuddy ignores all note off commands it receives.

MIDI and the BeatBuddy

- **Control Change (CC)** - Settings for the CC commands the BeatBuddy follows. CC commands can be numbered CC 0-127, each with a Value 0-127.
 - **Enable*/Disable** - Toggle receiving all CC commands on/off
 - **Tempo (CC:80, CC:81, value 1-127)** - When enabled, you can control the BeatBuddy's tempo using CC:80 to increase the tempo and CC:81 to decrease the tempo. Example: When the BeatBuddy receives CC:80, Value 10 it changes the tempo to current tempo + 10 BPM. CC:81 decreases the tempo by the Value amount.
 - Enable*/Disable
 - **Half Time (CC:82, value 1-127)** - The BeatBuddy enters Half Time mode at the next measure. CC:82, value 0 goes back to Normal Time at the end of the measure.
 - Enable*/Disable
 - **Double Time (CC:83, value 1-127)** - The BeatBuddy enters Double Time mode at the next measure. CC:83, value 0 goes back to Normal Time at the end of the measure.
 - Enable*/Disable
 - **Mix-Vol (CC:108, value 0-100)** - When enabled, the Mixer volume (main volume knob that controls only the drum sound volume) can be controlled by sending the MIDI message with a value ranging from 0 to 100. If disabled, the BeatBuddy ignores all mixer volume commands it receives. This parameter can be set to work with INC/DEC commands, read how in Tempo Control.
 - Enable*/Disable
 - **HP-Vol (CC:109, value 0-100)** - When enabled, Headphone volume can be controlled by sending the MIDI message with a value ranging from 0 to 100. If disabled, the BeatBuddy ignores all headphone volume commands it receives. This parameter can be set to work with INC/DEC commands, read how in Tempo Control.
 - Enable*/Disable
 - **Accent-Hit (CC:110, any value)** - When enabled, the BeatBuddy will play the current song part accent hit each time it receives the Accent-Hit MIDI message. You can control the volume of the accent hit by changing the value of the message ranging from 0 to 127. If disabled the BeatBuddy ignores all Accent-Hit commands it receives.
 - Enable*/Disable

MIDI and the BeatBuddy

- **Pause/Unpause (CC:111, any value)** - When enabled, the BeatBuddy will pause the current song when a Pause/Unpause message is received. The second time this message is received, the BeatBuddy will unpause the current song. If disabled, the BeatBuddy ignores all Pause/Unpause commands it receives.
 - Enable*/Disable
- **Drum Fill (CC:112, any value)** - When enabled, the BeatBuddy will trigger a drum fill when a Drum Fill message is received. If disabled, the BeatBuddy ignores all Drum Fill message it receives.
 - Enable*/Disable
- **Transition (CC:113)**
 - **Enable***: The BeatBuddy will trigger a transition when a custom transition message is received. You can select which part to go to after the transition by setting the value of the command to the index of the part you want to jump. The transition will continue playing in a loop until the value is changed to 0.
 - Value 1 → Part 1
 - Value 2 → Part 2
 - Value 3 → Part 3
 - Value n → Part n (Please Note: value 33-125 are disabled in the BeatBuddy)
 - Value 126 → Previous Part
 - Value 127 → Next Part
 - Value 0 → BeatBuddy ends transition and goes to the selected song part as specified in the original value, as specified above.
 - **Disable**: The BeatBuddy ignores all Transition Fill message it receives.
- **Intro (CC:114, value 1-127)** - When enabled, the BeatBuddy will trigger the Intro of the song when an Intro message is received. If disabled, the BeatBuddy ignores all Intro messages it receives. If the non-MIDI Intro setting in the Main Pedal settings is disabled, the BeatBuddy starts without playing the intro.
 - Enable*/Disable
- **Outro (CC:115, value 1-127)** - When enabled, the BeatBuddy will trigger the outro of the song when an Outro message is received. If disabled, the BeatBuddy ignores all Outro messages it receives.
 - Enable*/Disable

MIDI and the BeatBuddy

- **Drum Set (CC:116, value 1-127)** - When enabled, the BeatBuddy will change the drum set when it receives this message. The value decides which drumset is chosen, Value=1 is the first drum set, etc. If disabled, the BeatBuddy ignores this message.
 - Enable*/Disable
- **Tap-Tempo (CC:117, value 1-127)** - When enabled, if the BeatBuddy receives this command, it enters Tap Tempo mode. This is a useful way to enter Tap Tempo mode hands free if you have an external device that can send this command. Sending out this command multiple times is like tapping out the tempo with the pedal. When disabled, BeatBuddy ignores this command.
 - Enable*/Disable
- **Enter/Exit Folder (CC:118, any value)** - When enabled, receiving this command enters the selected folder. If disabled, this command will be ignored.
 - Enable*/Disable
- **Scroll Up/Down (CC:119, value 0-1)** - When enabled, receiving this command with either value 0 (down) or 1 (up) scrolls the current selection on the Songs List. If disabled, the BeatBuddy ignores this command.
 - Enable*/Disable
- **Remote Main Pedal (CC:120, value >0 for press, value=0 for release)** - This emulates the main BeatBuddy Pedal being pressed and released. In other words, this makes a MIDI controller act just like the Main Pedal. Simply send CC:120 with any value other than 0 to emulate the press and send CC:120 with value 0 to emulate the release. Both must be sent for this MIDI command to function properly.
 - Enable*/Disable
- **No Fill Transition (CC:122)** - The BeatBuddy will trigger a transition when a CC:121 command is received. The BeatBuddy will not play a fill and will continue playing the main beat of the current part. You can select which part to go to after the transition by setting the value of the commands to the same number as the part you want to jump to. The transition will not complete until a value 0 command is received, it will then transition at the next measure. (Please note: value 33 through 125 are disabled in the beatbuddy)
 - Enable *
 - Value 1 → Part 1
 - Value 2 → Part 2
 - Value 3 → Part 3
 - Value n → Part n (Please Note: value 33-125 are disabled in the BeatBuddy)

MIDI and the BeatBuddy

- Value 126 → Previous Part
- Value 127 → Next Part
- Value 0 → BeatBuddy ends transition and goes to the selected song part as specified in the original value, as specified above.
- **Disable:** The BeatBuddy ignores all Transition Fill message it receives.
- **Exclusive Transition (CC:121)** - This command is meant to behave just like a CC113 transition command. The BeatBuddy will trigger a transition when a CC:121 command is received you can select which part to go to after the transition by setting the value of the commands of the same number of the part you want to jump to. The transition will continue playing in a loop until value 0 command is received. The Aeros does not respond to CC:121 .
 - **Enable ***
 - Value 1 → Part 1
 - Value 2 → Part 2
 - Value 3 → Part 3
 - Value n → Part n (Please Note: value 33-125 are disabled in the BeatBuddy)
 - Value 126 → Previous Part
 - Value 127 → Next Part
 - Value 0 → BeatBuddy ends transition and goes to the selected song part as specified in the original value, as specified above.
 - **Disable:** The BeatBuddy ignores all Transition Fill message it receives.
- **Program Change (PC)** - Enable/Disable the BeatBuddy responding to Program Change commands. Read more about MSB,LSB, and PC commands on [pg. 49](#).
 - **Disable** - The BeatBuddy will not send any Song Select commands. This is disabled by default.
 - **Default*** - The BeatBuddy will use MSB, LSB, and PC commands to perform song select
 - The BeatBuddy will respond to MSB and LSB commands to select a folder.
 - If only an LSB command is sent this will still work to select a specific folder.
 - The PC command will select the song within the folder.
 - If you only send a PC command it will open the corresponding song within the currently open folder.
 - **Aeros Mode** - The BeatBuddy will only respond to LSB and PC commands and will ignore MSB. The Aeros only uses MSB values to open songs.
 - LSB command selects the folder
 - PC command selects the song within the folder
 - If you only send a PC command it will open the corresponding song within the currently open folder.

MIDI and the BeatBuddy

MIDI OUT - These settings control when the BeatBuddy sends MIDI commands to an external device.

- **Output Type**

- **MIDI-OUT:** The BeatBuddy only sends out the MIDI commands it generates and does not send any MIDI commands it has received in the BeatBuddy's MIDI In port.
- **MIDI-MERGE*:** The BeatBuddy combines any MIDI commands it receives in the MIDI-IN port with its own generated commands and sends both commands to the MIDI-OUT port.
- **MIDI-THRU:** The BeatBuddy only sends out MIDI commands that it has received through the MIDI-IN port.
- **Disable** - BeatBuddy does not send out any MIDI messages

- **Channel**

- Sets which channel [1-16] MIDI commands are sent out to. It's important that the BeatBuddy is sending out MIDI commands on the same channel that your external device is receiving them. Default is channel 1.

Please Note: *Sync (Clock), Start and Stop are MIDI SysEx (System Exclusive) Real Time Commands. This means that they are sent on all channels, regardless of what the MIDI Out Channel is set to.*

- **Sync**

- **Always On*:** BeatBuddy always sends out the MIDI tempo clock even when it is not playing. This is useful for when you want your MIDI tempo based devices such as loopers or delay, to play to a certain tempo but you don't want to have drums playing while you do it.
- **While Playing:** BeatBuddy only sends out MIDI tempo clock while it is playing drums. This is good for when you want your other devices to only follow the BeatBuddy's tempo while the drums are playing.
- **Disable:** BeatBuddy does not send out MIDI tempo clock.

MIDI and the BeatBuddy

- **Start**

- **Intro:** BeatBuddy sends out the MIDI Start command at the beginning of the intro.
 - Please note that if the intro is less than a full measure long, this setting may confuse your other devices and cause them to play out of time.
- **Main Beat*:** BeatBuddy sends out the MIDI Start command when the main beat starts playing after the intro has finished. This is a great way to start right on time.
- **Disable:** BeatBuddy never sends out the MIDI Start command.

***Please note:** BeatBuddy always sends out the MIDI Start command when Unpaused, unless Start setting is disabled or Mute Pause option is selected.*

- **Stop**

- **Pause Only:** BeatBuddy sends out the MIDI Stop command when BeatBuddy has been paused.
- **Pause and End*:** BeatBuddy sends out the MIDI Stop command when BeatBuddy has been paused and when the outro ends.
- **End Only:** BeatBuddy sends out the MIDI Stop command only when the outro ends.
- **Disable:** BeatBuddy never sends out the MIDI Stop command.

- **Notes**

- When enabled, the BeatBuddy sends out the MIDI notes that it is currently playing. This can trigger sounds in another device such as your computer or another synthesizer. If disabled, BeatBuddy does not send out any MIDI notes. Some devices (such as the Pigtronix Infinity looper) get confused and do not operate properly when they receive MIDI notes.
 - Enable/Disable*

MIDI and the BeatBuddy

- **Next Part (CC:102)**
 - When enabled, the BeatBuddy sends out the CC:102 MIDI command when the transition has completed and the next part starts. If disabled, the BeatBuddy does not send out the CC:102 command. Some devices (such as the Eventide Timeline) get confused when they receive this command and do not operate properly. This command is required for song part control with the Aeros when BeatBuddy is triggering part changes.
 - Enable*/Disable
- **Song/Folder Select:** The BeatBuddy can now send song select commands from the midi out port when a song is opened. By Default, the BeatBuddy will send the same MSB LSB and PC command that opens the song. This means that if the song is opened by MSB 0, LSB 0, and PC 0 then the BeatBuddy will send MSB 0 LSB 0 PC 0 when the song is opened. To use best with the Aeros, try Aeros mode. Remember the BeatBuddy's MIDI ID is set by the position of the song and folder in the list. Read more about Song Select on [pg. 49](#).
 - Disable* - The BeatBuddy will not send any Song Select commands. This is disabled by default.
 - Default - The BeatBuddy will send an MSB, LSB and PC command
 - Aeros Mode - The BeatBuddy will send an MSB and PC command. The true MSB value is negated and is substituted by the LSB value. So a song with a Song Select Message of MSB 0 LSB 125 PC 5 will send MSB 125 and PC 5. The Aeros only uses MSB values to open songs.
- **Time Signature**
 - **Sysex:** When enabled, BeatBuddy sends out Time Signature information when the BeatBuddy song loads and at every 1 of the measure after opening the song. This is useful for the Aeros Loop Studio so that it can sync the internal time signature with the BeatBuddy's even as the time signature changes. The Aeros can only change time signature before recording.
 - **Control Change (CC:103):** Sends a custom CC103 command with a value that corresponds to a specific time signature. We did come up with a logical method that explains how we made the values that has to do with counting binary values but we will not explain it here, too heady, man. Bug us on the forum if you really want to know. Look at the supported values in the CC:103 value chart on the next page.
 - **Disable:** The BeatBuddy does not send out the Time Signature information. Some devices get confused and don't operate properly when they receive this signal.

MIDI and the BeatBuddy

Time Signature - In-depth explanation

Time Signature is sent by BeatBuddy whenever a song is loaded as a Sysex midi message (by default) and every few seconds after while stopped and song is open.

- The Sysex values in hex are as follows:
 - 2/4: F0 - 7F - 7F - 03 - 02 - 04 - 02 - 02 - 18 - 08 - F7
 - 3/4: F0 - 7F - 7F - 03 - 02 - 04 - 03 - 02 - 18 - 08 - F7
 - 4/4: F0 - 7F - 7F - 03 - 02 - 04 - 04 - 02 - 18 - 08 - F7
 - 5/4: F0 - 7F - 7F - 03 - 02 - 04 - 05 - 02 - 18 - 08 - F7
 - 3/8: F0 - 7F - 7F - 03 - 02 - 04 - 03 - 03 - 18 - 08 - F7
 - 6/8: F0 - 7F - 7F - 03 - 02 - 04 - 06 - 03 - 18 - 08 - F7

The CC;103 command is a bit trickier to understand but uses the following values:

CC:103 Time Signature Values			
Time Signature	CC:103 Value	Data (binary)	Data (hex)
1/4	1	0b00000001	0x01
2/4	5	0b00000101	0x05
3/4	9	0b00001001	0x09
4/4	13	0b00001101	0x0D
5/4	17	0b00010001	0x11
6/4	21	0b00010101	0x15
7/4	25	0b00011001	0x19
1/8	2	0b00000010	0x02
3/8	10	0b00001010	0x0A
5/8	18	0b00010010	0x12
6/8	22	0b00010110	0x16
7/8	26	0b00011010	0x1A
9/8	34	0b00100010	0x22
12/8	46	0b00101110	0x2E
21/8	82	0b01010010	0x52
1/2	0	0b00000000	0x00
2/2	4	0b00000100	0x04
3/2	8	0b00001000	0x08
4/2	12	0b00001100	0x0C
1/16	3	0b00000011	0x03
2/16	7	0b00000111	0x07
3/16	11	0b00001011	0x0B
4/16	15	0b00001111	0x0F

Restore MIDI Settings - Resets all MIDI settings to default

- Yes/No

MIDI and the BeatBuddy

II. Folder/Song Select

- You can select a BeatBuddy folder and song with the MIDI Bank Select (combination of CC:0 [MSB] and CC:32 [LSB] and Program Change (PC) messages. Depending on your settings for the Song Select, the BeatBuddy is expecting different things. Go to Main Pedal > MIDI Settings > MIDI In > Program Change to choose the behavior.

Default

- The folder is selected with the Bank Select Message (Bank MSB and LSB) and the song is selected with the Program change. MSB selects the Bank, LSB the folder within the bank. Every MSB bank has 128 folder each.
- PC command selects the song within the current open folder
- This gives a potential of $128 \text{ MSB} \times 128 \text{ LSB} = 16,384$ different folders with 128 songs each (selected by the Program Change [PC] command).
- The order of the folders / songs are sorted by the BeatBuddy Manager. The order of the folders / songs corresponds to the number used by the MIDI messages +1.
 - This means that Program Change (PC) Message must have a value of 0 to select the first song in the menu.
 - We know this is confusing -- but MIDI was designed by computer nerds, not normal people like us, and computer nerds like to start with 0 instead of 1.

Aeros Mode

- The folder is selected using only LSB 0-110, these correspond to the first 111 BeatBuddy folders. LSB 111-127 open playlists 1-17.
- The order of the folders / songs are sorted by the BeatBuddy Manager. The order of the folders / songs corresponds to the number used by the MIDI messages +1. The Playlist song select starts on LSB 111 which corresponds with Playlist 1.
 - This means that Program Change (PC) Message must have a value of 0 to select the first song in the menu.
 - We know this is confusing -- but MIDI was designed by computer nerds, not normal people like us, and computer nerds like to start with 0 instead of 1.

MIDI and the BeatBuddy

Default Example:

Folder/Song	Bank MSB (CC:0)	Bank LSB (CC:32)	Program Change (PC)
Folder 1 - Song 1	Value 0	Value 0	Value 0
Folder 1 - Song 2	Value 0	Value 0	Value 1
Folder 3 - Song 3	Value 0	Value 2	Value 2
Folder 129 - Song 4	Value 1	Value 1	Value 3

Aeros Mode Example:

Folder/Song	Bank MSB (CC:0)	Bank LSB (CC:32)	Program Change (PC)
Folder 1 - Song 1	N/A	Value 0	Value 0
Folder 1 - Song 2	N/A	Value 0	Value 1
Folder 3 - Song 3	N/A	Value 2	Value 2
Playlist 1 - Song 1	N/A	Value 111	Value 0
Playlist 2 - Song 1	N/A	Value 112	Value 0
Playlist 2 - Song 4	N/A	Value 112	Value 3

Please note that the BeatBuddy's song does not change until the Program Change message is received, i.e. bank messages alone are not enough to change a song.

MIDI and the BeatBuddy

III. Tempo Control

- Since the BeatBuddy's tempo ranges from 40BPM - 300BPM, we can't use just one CC command to cover the whole range because a CC command can only have 128 values.
- There are two ways of changing the tempo.
 - With INC/DEC (increase/decrease) messages which adjust the tempo up or down by 1 BPM
 - By skipping directly to a specific tempo BPM using the MSB/LSB system, like in the Song Selection system.

However, it's a bit more complicated because, unlike the Song Selection system where you have dedicated CC commands to represent the MSB (CC:0) and LSB (CC:32), there are no dedicated CC commands for Tempo.

So we use the "NRPN Register" (Non-Registered Parameter Number) which is a general purpose MSB (CC:99) and LSB (CC:98). All that means is that you can control multiple parameters on the BeatBuddy using an MSB sequence, which is usually a series of 3 commands: 2 CC commands and one PC.

This can be used to control tempo, any other parameter, or multiple parameters at once. Currently we're only using it to control tempo, but we follow the MIDI Standard protocol to leave room for further control in the future. Because of this capability for multiple parameter control, the steps below are followed.

1. INC/DEC (see <https://www.midi.org/specifications>)

The advantage of INC / DEC command is that you can map the midi control to an infinite encoder (e.g. roller wheel). This is done by using the generic Data Button Increment (CC:96) and Decrement (CC:97). The parameter that will be changed by this message is defined by the NRPN register (CC:98 and CC:99).

Here are the common steps to do to control the BeatBuddy's tempo. It follows the Data INC/DEC specification of the MIDI protocol. *Note: these same steps can be used to set the Mix (CC:108) or Headphone (CC:109) volume parameters.*

MIDI and the BeatBuddy

Steps to Increment Tempo

Steps	Message	Details
1*	CC:99/106	Set the NRPN register to Tempo MSB Set
2*	CC:98/107	the NRPN LSB register to Tempo LSB
3	CC:96/1	Increment the tempo by one
4*	CC:99/127	Clears the NRPN MSB register
5*	CC:98/127	Clears the NRPN LSB register

Steps with a * are optional if the only value control by Inc/Dec is the Tempo. By default, the Beatbuddy will increment / decrement the tempo when receiving a INC/ DEC message.

Steps to Decrement Tempo

Steps	CC:#/Value	Details
1*	CC:99/106	Set the NRPN MSB register to Tempo MSB
2*	CC:98/107	Set the NRPN LSB register to Tempo LSB
3	CC:97/1	Decrement the tempo by one
4*	CC:99/127	Clears the NRPN MSB register
5*	CC:98/127	Clears the NRPN LSB register

Steps with a * are optional if the only value control by Inc/Dec is the Tempo. By default, the Beatbuddy will increment / decrement the tempo when receiving a INC/ DEC message.

MIDI and the BeatBuddy

2. Tempo MSB & Tempo LSB

- In order to directly set the tempo to a specific BPM, you need to use the Tempo MSB and Tempo LSB. The Beatbuddy will update its current tempo only when receiving the LSB message.
- So the order of the message should be:
 1. MSB value
 2. LSB value
- Don't forget, the value of the Tempo can only be set with both MSB (CC:106) and LSB (CC:107).

Here are a few examples of Midi message combinations:

MSB (CC:106)	LSB	Tempo
0	(CC:107) 25	40
0	40	40
0	127	127
1	0	128
1	25	153
1	50	178
2	0	256
2	44	300
2	45	300

Note: Remember the BeatBuddy's tempo range is from 40-300BPM

MIDI and the BeatBuddy

MIDI IN COMMANDS

CC Number	Command Name	Value	Action
CC:0	Bank (song folder) select MSB	0-127	Bank (Song folder) Select MSB
CC:32	Bank (song folder) select MSB	0-127	Bank (Song folder) Select LSB
CC:80	Tempo Increase	0-127	Increases tempo by value received (NewTempo=Tempo+Value)
CC:81	Tempo Decrease	0-127	Decreases tempo by value received (NewTempo=Tempo-Value)
CC:82	Normal Mode	0	Returns to normal mode
	Half-time mode	1-127	Goes to half time mode
CC:83	Normal Mode	0	Returns to normal mode
	Go to Double-time mode	1-127	Goes to double time mode
CC:96	Data Increment (Data Entry +1)	1-127	Increases the BeatBuddy Tempo (default)
CC:97	Data Decrement (Data Entry -1)	1-127	Decreases the BeatBuddy Tempo (default)
CC:98	Non-Registered Parameter Number (NRPN) -LSB	0-127	Read more on pg 52

Continues on next page...

MIDI and the BeatBuddy

MIDI IN COMMANDS (cont.)

CC Number	Command Name	Value	Action
CC:99	Non-Registered Parameter Number (NRPN) -MSB	0-127	Read more on pg 52
CC:100	Registered Parameter Number (RPN) -LSB	0-127	Read more on pg 52
CC:101	Registered Parameter Number (RPN) -LSB	0-127	Read more on pg 52
CC:104	Open Settings	0-127	Opens the BeatBuddy Settings
CC:106	Tempo MSB		This command when used in conjunction with the Tempo LSB command will allow users to select a specific tempo. MSB 1 implies a BPM of 129 or greater.
CC:107	Tempo LSB		This command can select a tempo for the Beatbuddy. If choosing a BPM greater than 128, the user must also send an MSB command. MSB 1 implies a BPM of 129 or greater. LSB 0-39 = BPM of 40 (lowest possible tempo), LSB 40 =41.
CC:108	Main Volume	0-100	Change the main volume (like Main Volume knob)
CC:109	Headphone Volume	0-100	Change the Headphone volume
CC:110	Accent Hit	0-127	Triggers an accent hit with a volume from the value 0 (mute) to 100 (original recorded volume) to 127 (amplified more than the original recorded volume)
CC:111	Unpause	0	Unpause the current song
	Pause	1	pause the current song
	Pause/Unpause	>1	Toggle between pause and unpause

Continues on next page...

MIDI and the BeatBuddy

MIDI IN COMMANDS (cont.)

CC Number	Command Name	Value	Action
CC:112	Fill	1-127	Triggers a drum fill
CC:113	Transition End Transition at next Measure	0	<p>Starts transition to the currently selected part in 6x6. This command is used in conjunction with CC:113 values 1-6, 126, and 127 to allow toggling through parts before starting the transition.</p> <p>As of v4.1.6, if the BeatBuddy is stopped the CC:113 value 0 command will start it from stopped.</p>
	Start Transition	1-32	<p>Selects the part according to the value number sent (part # = value #). The BeatBuddy will loop the transition fill until it receives CC:113 value 0 (shown above). Then, it will complete the transition and change parts at the end of the measure.</p> <p>As of v4.1.6, if the BeatBuddy is stopped, the BeatBuddy will change to that part without starting playback once this command is received.</p>
	Cancel Transition	125	Cancels any pending transition
	Previous Part	126	<p>This will start the transition to the previous part. To switch to the selected part, the user must send CC:113 value 0 to end the transition and change parts at the end of the measure.</p> <p>As of v4.1.6, if the BeatBuddy is stopped, the BeatBuddy will change to the previous part without starting playback once this command is received.</p>
	Next Part	127	<p>This will start the transition to the next part. To switch to the selected part, the user must send CC:113 value 0 to end the transition and change parts at the end of the measure.</p> <p>As of v4.1.6, if the BeatBuddy is stopped, the BeatBuddy will change to the next part without starting playback once this command is received.</p>

Continues on next page...

MIDI and the BeatBuddy

MIDI IN COMMANDS (cont.)

CC Number	Command Name	Value	Action
CC:114	Start	0-127	Starts the playback of the current song
CC:115	Stop	0-127	Triggers the outro of the song
CC:116	Drumset	0-127	Selects a specific drumset
CC:117	Tap Tempo	0-127	Enters Tap Tempo mode and generate Tap Event
CC:118	Enter/Exit	0-127	Enters or Exits a folder
CC:119	Scroll Down	0	Scrolls down song/folder list
	Scroll Up	1	Scrolls up song/folder list
CC:120	Main Pedal Release	0	Emulates Main Pedal release
	Main Pedal Press	1-127	Emulates Main Pedal Press
CC:121	Transition		This command is meant to behave just like a CC:113 transition command. The BeatBuddy will trigger a transition when a CC:121 command is received you can select which part to go to after the transition by setting the value of the commands of the same number of the part you want to jump to. The transition will continue playing in a loop until value 0 command is received. The Aeros does not respond to CC:121
	Complete Transition	0	Ends transition at the next measure.
	Change Part	1-32	Selects the part according to the value number sent (part # = value #). The BeatBuddy will loop the transition fill until it receives CC:121 value 0 (shown above). Then, it will complete the transition and change parts at the end of the measure.

Continues on next page...

MIDI and the BeatBuddy

MIDI IN COMMANDS (cont.)

CC Number	Command Name	Value	Action
CC:121 (cont.)	Previous Part	126	This will start the transition to the previous part. To switch to the selected part, the user must send CC:121 value 0 to end the transition and change parts at the end of the measure.
	Next Part	127	This will start the transition to the next part. To switch to the selected part, the user must send CC:121 value 0 to end the transition and change parts at the end of the measure.
CC:122	Transition		The BeatBuddy will trigger a transition when a CC:122 command is received. The BeatBuddy will not play a fill and will continue playing the main beat of the current part. You can select which part to go to after the transition by setting the value of the commands to the same number as the part you want to jump to. The transition will not complete until a value 0 command is received, it will then transition at the next measure.
	Complete Transition	0	Starts transition to the currently selected part in 6x6. This command is used in conjunction with CC:122 values 1-6, 126, and 127 to allow toggling through parts before starting the transition.
	Change Part	1-32	Selects the part according to the value number sent (part # = value #). The BeatBuddy will loop the transition fill until it receives CC:122 value 0 (shown above). Then, it will complete the transition and change parts at the end of the measure.
	Previous Part	126	This will start the transition to the previous part. To switch to the selected part, the user must send CC:122 value 0 to end the transition and change parts at the end of the measure.

Continues on next page...

MIDI and the BeatBuddy

MIDI IN COMMANDS (cont.)

CC Number	Command Name	Value	Action
CC:122 (cont.)	Next Part	127	This will start the transition to the next part. To switch to the selected part, the user must send CC:122 value 0 to end the transition and change parts at the end of the measure.

MIDI OUT COMMANDS

CC Number	Command Name	Value	Action
CC:102	Force Aeros Transition	0-127	Next Part. Sent whenever song part is changed on the BeatBuddy, at the end of the transition. This makes the Aeros Transition immediately in 2s2 and immediately in 6x6 if a part other than the open part is selected.
	Start (Sysex Real Time)		Sent when BeatBuddy intro ends by default, can be set to send at start of intro, and when unpaused (can be modified in BeatBuddy settings)
	Stop (Sysex Real Time)		Sent when BeatBuddy outro ends and when paused (can be modified in BeatBuddy settings)
	MSB + LSB + PC	MSB= CC0 values 0-127 LSB= CC0 values 0-127 PC values 0-127	The BeatBuddy can now send Song Select commands automatically when a song is opened, the command sent cannot be set, it is based on the song and folder location. In Default Mode, the BeatBuddy will send the MSB and LSB (representing folder) and a PC for the song within the folder.

Continues on next page...

MIDI and the BeatBuddy

MIDI OUT COMMANDS

CC Number	Command Name	Value	Action
CC:102 (cont.)	MSB + PC	MSB= CC0 values 0-127 PC values 0-127	The BeatBuddy can now send Song Select commands automatically when a song is opened, the command sent cannot be set, it is based on the song and folder location. In Aeros Mode Mode, the BeatBuddy will send the MSB 0-127 to represent the first 128 folders on BeatBuddy, LSB is not used. A PC representing the song within the folder will also be sent. This was done to allow user to control Aeros more versatility, LSB commands do not affect the Aeros.
CC:103	Time Signature		Time sig - Value 1/4 - 1 2/4 - 5 3/4 - 9 4/4 - 13 5/4 - 17 6/4 - 21 7/4 - 25 1/8 - 2 3/8 - 10 5/8 - 18 6/8 - 22 7/8 - 26 9/8 - 34 12/8 - 46 21/8 - 82 1/2 - 0 2/2 - 4 3/2 - 8 4/2 - 12 1/16 - 3 2/16 - 7 3/16 - 11 4/16 - 15

Continues on next page...

MIDI and the BeatBuddy

MIDI OUT COMMANDS (cont.)

CC Number	Command Name	Value	Action
CC:103 (cont.)	Time Signature		<p>Time Signature is sent by BeatBuddy whenever a song is loaded as a Sysex midi message and repeatedly every 3 seconds. The Aeros, for example, will set it's own internal time signature when receiving these commands if the song is empty.</p> <p>(All values in hex) 2/4: F0-7F-7F-03-02-04-02-02-18-08-F7 3/4: F0-7F-7F-03-02-04-03-02-18-08-F7 4/4: F0-7F-7F-03-02-04-04-02-18-08-F7 5/4: F0-7F-7F-03-02-04-05-02-18-08-F7 3/8: F0-7F-7F-03-02-04-03-03-18-08-F7 6/8: F0-7F-7F-03-02-04-06-03-18-08-F7</p>

Technical Support

If you notice anything strange with your BeatBuddy, first make sure all the cables are firmly connected.

Then, power the pedal off by disconnecting for a minute, then plug it back in.

If that doesn't work, the files on the SD card may have been corrupted (this happens on rare occasions), and you should delete all of the files from the SD card and reload your saved Project with the BeatBuddy Manager or the SD Card backup files which have the Default Content that came with your BeatBuddy.

The SD Card backup files and the BeatBuddy Manager Software is available at <https://singularsound.com/pages/support>

If you're having trouble fixing any problems with your BeatBuddy, please email us at support@singularsound.com.

Technical Specifications

Dimensions: 5" long x 3.5" wide x 2.5" high (127mm x 86mm x 63mm)

Power: 9v DC, 300mA, center negative

Output Impedance: ~10 ohms

Input Impedance: > 400k ohms

Max Input Level: 3.5 dBu

Signal to Noise: 95 dB typical

D/A: 24 bits, 44.1 kHz

Frequency Response: 20Hz to 20 kHz

THD: 0.01% THD+N into a 1k Ω load for a bandwidth of 22Hz to 20kHz at an input level of -10dBV at 1kHz. SNR: ~89dB at -6dBV input level into a load of 1k Ω over a bandwidth of 0Hz to 20kHz (unweighted).

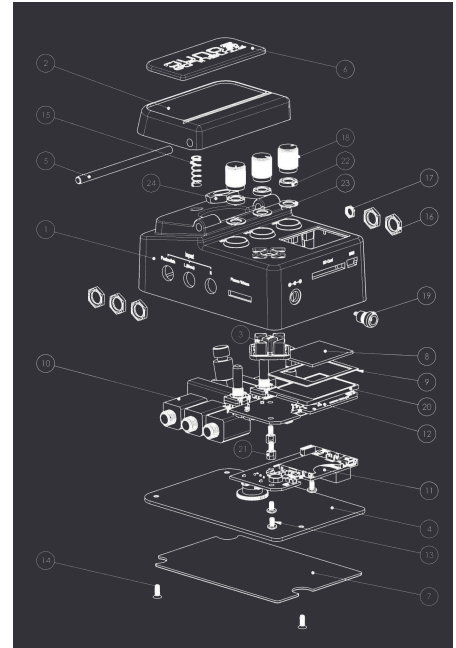
Inputs: 2 x 1/4"

Outputs: 2 x 1/4" (L/mono, R), 1 x 1/8" (headphones)

MIDI I/O: PS/2 MIDI Sync Port (breakout cable required)

USB: 1 x Type Mini-B

Other I/O: 1 x 1/4" TRS (external footswitch)



Warranty

Your BeatBuddy comes with a full two year warranty on parts and workmanship from the date of purchase. During this period we will repair or replace (at our option) defective units free of charge.

Most issues can be solved by writing to us at support@singularsound.com

If we cannot help you fix the problem, we may have you send the BeatBuddy in for servicing.

The warranty remains valid only if the serial number on the unit is not defaced or removed. It does not cover damage due to misuse, unauthorized tampering, accident or neglect.

To validate your warranty please register your BeatBuddy within 30 days of purchase at <https://www.singularsound.com/pages/warranty>.

Thanks for reading the manual! If there is anything you don't understand, or think that can be explained better, please contact us at support@singularsound.com, or visit our Forum at <http://forum.singularsound.com>.

Changelogs

BeatBuddy Firmware 4.1.6

Changelog Main Pedal & Player

- Option to **disable song transitions**: Settings → Main Pedal → Transition
- Option to play a **count-in if song does not have an intro**: Settings → Main Pedal → Intro → Intro or Count In
- Option to **turn off tap bpm on main pedal** (So if pedal is set to release, you can hold it down as long as you like without entering tap tempo mode and release to start the beat): Settings → Main Pedal → Start Beat → Tap Tempo Mode
- **New Setting: Transition Forgiveness**
 - **Transition Forgiveness**: If the BeatBuddy receives a song part transition MIDI command (CC:113, value 0) in the first 300ms of the measure, it will change song parts immediately without a transition fill and stay in time to the beat. This is because most likely the user intended the transition to occur in this measure and was a bit late in sending the command. This is common when trying to transition at the end of the measure, rather than in advance. This is the same way the Aeros works. In Version 4.1.1 this is able to be toggled off, by default it is disabled.
- **Improved hands-free content navigation** to give the user a way to exit a folder (without using arrows or wait 5 seconds):
 - Folder screen: Short press on main pedal: Go to selected folder songs screen
 - Folder screen: Hold press on main pedal: exit to Home screen
 - Song screen: Short Press on main pedal: Selects songs and return to home screen
- This approach gives the pedal switch the following feeling:
 - short press → enters / select
 - hold press → go back / exit

Footswitches

- Add **next part / previous part commands** in pause and playing menu
- **Tap tempo is registered only when set as option** for specific footswitch (previously all footswitch presses were registered as a tap during tap tempo mode)
- Improved **hands-free content navigation**:
 - Left foot switch press : up
 - Right foot switch press : down
 - Left foot switch hold : enter / exit folder
 - Right foot switch hold : enter / exit folder
- **Separated playing and paused footswitch behavior**: You can now choose a different function for the footswitch depending on whether it is currently playing a beat or paused.

Changelogs

MIDI

- **MIDI-IN:** Added default mode and **playlist support for Program Change (PC)**
- Aeros mode : MSB is ignored, LSB >= 111 refers to playlists
- Default mode: MSB + LSB makes the bank, MSB = 127 refers to playlists
- **Updated midi start message on unpause.** When the MIDI Start message is sent while paused, unpause is controlled by the MIDI Start setting:
 - Intro → immediately
 - Main Beat → after fill / transition
- BeatBuddy can send **time signature as a custom CC-103 message**
- bit [6...2] : Numerator code == (real numerator - 1)
- bit [1...0] : Denominator code
- Added **Midi In CC:113 Value 125: Cancel transition**
- Added **Midi In CC:121: Exclusive transition** (this was added so that you can transition on the BeatBuddy without transitioning on the Aeros).
- New **Midi In CC:122: No-fill transition:** Trigger a transition without playing fill
- **Midi Out: Send Folder / Playlist and Song PC on loading song**
- Midi Out: Send Midi start message when receiving CC:113, value 0 when paused (this will start BeatBuddy playback)
- **Allows changing parts while stopped**, CC:113 values 1-32 will select the BeatBuddy Part if that part exists. **CC:113 values 126 and 127 will toggle through the stopped parts.**
- **The BeatBuddy will start from a stopped state when it receives CC:113 value 0**, this helps the BeatBuddy start in sync with the Aeros as MIDI Transmitter (Master) when switching parts to restart the BeatBuddy
- **Added CC:104 to open settings**
- **Values between 1 and 127 open up the settings**
- **Added support for part selection (without playing)** when receiving CC113 while stopped.
- **Value 1-32: BB Stays in a stopped state** but displays the current part selected. If the part does not exist, the BB displays the STOPPED message
- **Value 126: Previous Part**
- **Value 127: Next Part**
- **Value 0: BB starts at the current part following the Intro setting.**

UI

- Improve long playlist name handling
 - Added scrolling of long playlist names in the home screen
- Limited the number of characters in the popup screen
- Added new loading states for better debugging: More useful info (invalid SD card, loading SD card, etc.)
- Go to home screen when SD card is removed

Changelogs

Bug fixes

- Fixed crash / restarting after triggering a factory reset
- Fixed double line break in help texts (Less chance to miss important information)
- Fixed SD card corruption issues
- Fixed Playlist creation issue (corrupted SD card)
- No more unnecessary warning when inserting the SD card on a computer
- Default drumset: Fixed loading of previous drumset if default drumset is disabled after a power cycle
- Default tempo: Fixed loading of previous tempo if default tempo is disabled after a power cycle
- Added help texts for song & folder selection (Midi-out)
- Fixed typos
- Fix crash: Drum fill index not correctly reset and checked between parts
- Correctly transitions to part set by last received CC:113 command, for example, if you send CC:113, value 1, followed by value 2 followed by value 3, and then send value 0, it now correctly switches to part 3. This is to work better with the Aeros when the Aeros is MIDI Transmitter (master) and Auto Song Part Change (6x6) is enabled.
- Fix Song Select Aeros Mode option (Midi Out)
- Fixed scrolling current selection up or down by one song in a playlist when using external MIDI CC:119 value 1 and value 0, respectively
- Set Transition Forgiveness as enabled by default

Changelogs

BeatBuddy Firmware 4.0.1 Changelog

- **Playlist feature:**
 - Playlists allow you to organize your songs without duplicating them or using the BeatBuddy Manager
 - **Any song can be added to a new or existing playlist by holding down the tempo knob** while the song is selected in the folder screen
 - **The BeatBuddy can support 17 Playlists each with up to 128 songs**
 - **Playlist songs can be selected by MIDI via MIDI LSB (CC:32) 111 -127** and PC commands. CC:32, Value 111 is Playlist 1, Value 112 is Playlist 2, etc. The PC value is equal to the song order in the Playlist.
 - A playlist song can be removed by holding down the tempo knob while the song is selected in the Playlist screen and selecting Remove
 - Playlist songs can be reordered by holding down the tempo knob while the song is selected in the Playlist screen and selecting the Move option
 - If a playlist is selected, the BB will reload the current playlist / song on the next reboot
- Force “main screen” when BB is receives a Volume change followed by program change
- **Ignore MSB Bank value in Midi song selection since Aeros is using it.** LSB (CC:32) Value is equal to the Folder Order, PC is equal to the Song Order within the folder
- Help texts and menu upgrade
- Send start message when unpausing with a footswitch drum fill
- Send start message when unpausing with a MIDI fill command
- **Program Change: Ignore PC if LSB was not received and/or overridden by MSB**
- Improve Midi Sync BPM filtering
- **CC Outro setting:** Added playing-only option to ignore outro cc when stopped
- Added confirmation popup when song is added to a playlist
- Reduced “Added to playlist X” popup text size
- Allow user to use Tap button once playlist dialogue is started

Bugfixes

- Main Pedal: Increased debouncing to prevent transition glitches
- Fix outro behavior that was causing some of the last notes of outros not to be played, depending on initial state of BeatBuddy
- Fixed Cancel transition action. (Infinite loop during transition)
- Fixed external outro request after transition on song without outro
- Playlist creation stability fix

Changelogs

3.9.9 “MIDI Optimizations and Bug Exterminations” (Latest)

- **Improve Pause / Unpause behavior**
 - Add outro command support while paused
 - Stops the BeatBuddy if the outro is disabled or the song does not have an outro
 - Plays the outro otherwise (on current beat if Mute Pause is enabled, from start of fill otherwise)
 - Update the handling of the MIDI messages CC-112 (fill), 113 (transition), 114 (intro), 115 (outro) while BeatBuddy is paused, the BeatBuddy will now behave as expected.
 - The BeatBuddy continues to play the outro fill if it is paused and unpaused during the outro.
 - Disable hold commands while paused if Start Beat is set to Press
 - If BeatBuddy Main Pedal is held down while paused and tap has not been set to stop, BeatBuddy will start a transition.
 - If BeatBuddy Main Pedal is held down while paused and tap has been set to stop, it will enter Tap Tempo Mode.
 - The same is true for the Main Pedal Footswitch emulation and the MIDI CC120 MIDI command
 - Added settings to Main Pedal Unpause for Stop Song and Transition with tap action using the Main Pedal
- **New Settings**
 - New Mono / Stereo Setting for drum mix: This is useful if you don't have a stereo sound system, you can set the drums to mono to hear the BeatBuddy's summed signal
 - Found in the Audio Settings Folder
 - Mono / Stereo setting only affects the BeatBuddy's own signal in both the Main and Headphone outputs. It does not affect any sound the BeatBuddy passes through from the inputs to the outputs.
 - New midi setting to enable / disable Program Change (PC) midi messages
 - Allow MIDI Start message during unpause to be Enabled/Disabled
 - External Device Unpause Outro setting - Follow Main pedal or Stop Song
 - This allows users to have a similar behavior to version 3.8.0 and prior when the footswitch is set to Outro and the BeatBuddy is **paused**.
- **Improvements to handling of Outro**
 - If Outro is disabled and song is set to stop, the screen will say “Stopping” instead of “Outro”
 - Add outro command support during intro
 - Swap to outro if outro is enabled and exists on the current song
 - Play the intro until the end and stop if the outro is disabled or there is no outro available. The screen will say “Stopping” instead of Outro if this is the case.

Changelogs

- Double Tap during stop / intro state
 - Outro enabled: BB will switch and play the outro
 - Outro disabled: BB will immediately cancel the intro and BB stops
- Change outro request from external footswitches to follow the same behaviour as a midi request

MIDI

- Added support for successive transition MIDI commands
 - This helps with the stability of quickly repeated Transition and Complete Transition MIDI commands sent by the user
 - Allows receiving both the Transition and Complete Transition commands simultaneously
- Fixed Mute Pause MIDI activation issue
- Wake up BB when receiving MIDI Messages from sleep state
- Disable Internal MIDI Sync Output (from BB) when the BB is synced to an external clock. This fixes the 'double clock' problem.
- Send Time signature every 3 seconds (approx). Keeps the time signature on the Aeros synced with the time signature on the BeatBuddy (Aeros song must be blank for the time signature to be changed)
- Added MIDI CC Inc / Dec for Headphones (CC:109) and Mix (CC:108) main volume
- Display volume changes (Headphones and Mix) when changing them with MIDI
- Fixed bug where Next Part CC:102 command did not follow the BeatBuddy's set MIDI Out channel
- Set MIDI merge as default MIDI Out value
- Use MIDI velocity for MIDI accent hit
- Song Player MIDI control logic update
 - Go to stopped state when receiving MIDI stop message from paused state
 - Play outro when receiving outro message when stopped
- Add MIDI remote main pedal on CC:120
 - Value > 0 : Pedal Press
 - Value = 0 : Pedal Release
- Folder selection done through Program Change can now address up to 16,384 folders

New MIDI IN transitions message logic:

CC-113, value = 0:	Quit transition
CC-113, value = 1...32:	Start transition to part X (if part X exists)
CC-113, value = 33...125:	Ignored, no part possible
CC-113, value = 126:	Start transition to previous part
CC-113, value = 127:	Start transition to next part

Changelogs

Other

- Add the possibility to cancel a Count-in intro with a double tap after count-in has started
- External Footswitch now automatically controls scroll up/down while in song or folder screen, regardless of footswitch settings
- Help text added and refined for various features

Bug Fixes

- Fixed un-pause hold option still being processed even if Start Beat is set to Press
- Fixed broken polyphony algorithm on player
- Fixed bug where cue fill settings were affecting playback
- Added special rule to support PC messages if CC messages are disabled
- Handle triple tap timing the same as main pedal when MIDI controller and/or External Footswitch is emulating the main pedal.
- Allow users to see help text even if option is disabled
- Empty inactive folder names will now scroll if too long for the screen
 - Used for promotional messages from BBM / Download more songs, etc..

Changelogs

3.8.0 "The MIDI Maestro Support Update"

- **Updated Half / Double time algorithm**
 - Resets on stop
 - Waits for the End Of Measure to change while Mute Pause is activated – this keeps the BeatBuddy in time with other devices
- **Displays Half / Double time on screen when activated**
- **Made next part midi message (CC:112) enabled by default** (this is crucial for the BeatBuddy to work properly with the Aeros).
- **Added enter / exit folder midi message** (CC:118, value=1-127)
- **Added scroll up / down commands for songs and folders lists** (CC:119, value=0 scrolls down, value=1 scrolls up)
- Made song and folder list menu big font when scrolling with MIDI commands for easier visibility
- Selects song currently highlighted in the song menu if no action after 8 seconds
- **Added Midi sync clock setting (Playing not paused):** this turns off MIDI clock when paused
- **Fixes**
 - Fixed start message always being sent when count-in was activated
 - Fixed midi next part not sent when midi merge activated

3.6.0 "The Bug Zapper"

- Fixed count-in color style and behavior
- Fixed Headphone volume random display
- **Fixed Missing Audio bug:** this was a bug that cause certain drum sounds not to be played in rare cases.
- **Stability improvement to memory management** (That were done while looking for the memory corruption problem in the missing audio bug)
- **Midi Time signature:** Added check to make sure the values sent are valid, to prevent errors in MIDI files causing errors in the MIDI sync
- **Prevent default song tempo / drumset if those were set by MIDI 500ms before:** So if you choose a song with certain settings through MIDI, the BB won't override those settings.

3.5.0

- **Fixed Missing Audio bug**
 - Missing audio bug was caused by memory corruption during file loading. An invalid library configuration seems to be the issue. (Disabled word access in ff.c to solve the issue)

Changelogs

- **Stability improvement** (That were done while looking for the memory corruption problem)
 - Stopped using malloc / free for i2c packets.
 - Limited the number of settings that can be saved in one setting Task call
 - Add load sanity checks to limit the chance of trying to play a corrupt song
- **Midi Time signature**
 - Made sure the values sent are valid by applying mask on the payload value (0x7F)

3.4.0

- **Fixed count-in color style**
- Fixed Headphone volume random display

3.3.0

- Prevent Song Manager from setting default song tempo / drumset if those were set by MIDI 500ms before.

3.2.0 "A New Look"

New Visual Interface

One of the main focuses of this update was to improve the visibility of key information at a glance. We really wanted to increase the pedal's visual feedback during a live performance. With this in mind, we performed a complete visual overhaul of the BeatBuddy's graphical interface. Here's what's changed:

1. **Added measure marker:** Useful for knowing when a fill or transition is more than one measure long, as well as seeing where you are in long song parts. This is the dark box on the bottom of the screen that is moving left to right.
2. **Made fonts larger and centered** (when not longer than the screen). There's now a focus on the current part playing, which is the most important information you need while performing.
3. **Updated the pause, tempo and volume screen** with new looks as well as an always active visual metronome, so you never lose track of the beat.

Changelogs

More MIDI Commands

We're continuing to implement more functionality into the BeatBuddy in preparation for our upcoming pedals. These changes include:

1. Separate Pause / Unpause message
2. CC:111 data == 0 : pause
3. CC:111 data == 1 : unpause
4. CC:111 data >= 2 : toggle between pause and unpause

Other Changes

1. Improvements to the memory management system
2. Half/Double time now changes at the end of a measure
3. Half/Double time mode resets when a new song is loaded

Bug Fixes

1. Potentially fixed the "no audio" bug
2. Fixed bpm screen that is always visible when changed by MIDI
3. Fixed broken sleep mode
4. Prevented useless bpm/tempo page popups

2.7.0

- Implemented Double / Half time. (But needs to be changed to be triggered EOM)

2.6.0

- **Added Enabled/Disable Outro part setting option**
- **Round TAP tempo to avoid not-integer BPM**
- **Add Tempo control with custom CC message**
 - CC:80 for increment
 - CC:81 for decrement
 - The increment size follow the value of the command.
- Adjusted the TAP tempo speed to the current times signature
- **Implemented "previous part"** on CC:113 when value is 126
- Fix potential bug with MIDI merge
- Change Tempo UI screen
- Add dedicated tap tempo behaviour
 - If TAP tempo screen was not brought-up using a long press on the main pedal, event from the main pedal are forwarded to the SongPlater and the screen is brought back to Home Screen
- Forced the UI to switch to the BPM screen when switching tempo

Changelogs

2.5.0

- Added long name support (256 characters)
- Added support for Midi Note as accent hits.
- Added support for Humane Readable name (HRN) drumset in metadata

2.1.0

- Fixed Outro called from external footswitch bug
- Add support for Midi Note as accent hits.

2.0.4

- **Settings Menu Improvements**
 - New Settings Menu Help System! Whenever you see the (?) symbol next to a menu option, press the right arrow button to highlight it and then press the Tap button to see an explanation of that Setting option. No more looking through the manual to understand what a setting does!
 - Change Font Size: No more squinting at small words! (Settings > Font Size)
 - Automatic Large font size when entering Folder / Song selection window with the footswitch
 - Hide Sobriety Feature option: For the parents who don't want to explain this little joke to their kids. (Settings > Sobriety > Hide Sobriety Option)
- **Use the Footswitch as the Main Pedal:** Many of you would like to have the BeatBuddy up at table top (or keyboard) height so you can choose songs without bending down. You can now set one of the footswitches to act like the Main Pedal! (Settings > Footswitch > Function > Main pedal)
 - Please Note: If the footswitch detector detects a latching footswitch, it disables the main pedal option since it cannot work with a latching footswitch. A momentary footswitch is required. All Singular Sound Footswitches manufactured after May 2015 are momentary. To test your footswitch: Settings > Footswitch > Footswitch detector
- **Double Tap Outro Disable:** Some Beat Buddies complained that they are accidentally hitting the double tap outro during a performance. You can now disable it. (Settings > Main Pedal > Outro). You can set one of the footswitches as a single tap outro at Settings > Footswitch > Function > Playing.

Changelogs

- **New Accent Hit options:**
 - **Global Accent Hit:** A single sound that is triggered no matter what song or song part you are in (as opposed to the Default Accent Hit which is a sound set to the specific song part). You can choose from all the Accent Hits available on the SD card and any WAV files added in the EFFECTS folder of the SD Card. (Settings > Footswitch > Accent hit > Source)
 - **Accent Hit Volume:** You can now adjust the accent hit volume! Accent volume can range from [-40db, + 6db], Default value is set to 0db. (Settings > Footswitch > Accent hit > Volume)
- **Cue Fill options:** Some users have said that the fills sound smoother if they start on the next half beat (1/8th note), next beat (1/4 note) or next measure rather than immediately when the pedal is pressed. So we have added these options. Default is still Immediately. Please note: When set to 'Immediately', if the pedal is pressed in the last half beat of the measure, the fill will play in the next measure because it's very unlikely that you want less than a half beat of fill so you probably pressed it too early. (Settings > Main Pedal > Cue Fill)
- **MIDI Command Change:** When unpausing with drum fill (by tapping the main pedal), the MIDI "Start" message is sent after the completion of the fill and the main loop begins. This means that the looper only begins playback after the fill is complete, which is a more accurate representation of what usually happens in a live performance.
- **Technical Improvements:**
 - Increased the Polyphony from 24 to 64 simultaneous instruments.
 - Added Non-Percussion Instrument handling: Now the drum sets with bass will sound better!

Bug Fixes

- Fixed Midi Note In Problem. (Under some circumstance, some MIDI note received in the MIDI in port were retransmit on the MIDI out port even if it was set to MIDI-OUT.
- Added quick release to reduce "clicking" sound when removing sounds (when max polyphony is reached)
- Fixed release buffer coefficient calculations.
- Fixed midi merge sync bug.
- Fixed Incorrect Drum set loading bug
- Fixed not looping transition bug. (On the last part of the song)
- Removed Stop commands when changing songs if player is not playing

Changelogs

2.0.3

- When unpausing with drum fill, the start message is sent after the completion of the fill (back to the main loop)
- Changed Help Setting Flow.
 - You need to select help icon before entering help menu.
- Changed the Main Pedal option for the footswitches
 - New menu to set Main pedal for 1st footswitch and 2nd footswitch
 - When Setting main pedal, the playing / stopped menus get disabled.
 - If the footswitch detector detects a latching footswitch, it disables the main pedal options since it cannot work.

2.0.1

- Added Outro Double Tap (Enable /Disable).
- Added help text for Midi In Tempo Control.
- Fixed invisible characters in help text menus.

2.0.0

- Automatic Tempo By Part Feature
 - New option in menu
 - Can configure intro / main parts / outros tempo in the BB Manager
- Added MIDI ID feature
 - Can switch between MIDI IDs and Folder Ordering when selecting song / folder / drum sets via MIDI

1.9.6

- Fixed MIDI merge sync bug.

1.9.4

- Added Non-Percussion Instrument handling.
- Added autopilot modification.
- Fixed release buffer coefficient calculations.

1.9.3

- Changed arrow direction where selection accent hit volume
- Removed Global / Default drum set menu option.
- Added "(default)" label display when Accent Hit Volume is set to +0db
- Added 10% and 90% Cue Fill Period
- Set default Cue Fill Period to 90%
- Added quick release to reduce "clicking" sound when removing sounds (when max polyphony is reached)
- Increased the Polyphony from 24 to 64 simultaneous instruments.

Changelogs

1.9.2

- Fixed Midi Note In Problem.
- (Under some circumstance, some MIDI note received in the MIDI in port were retransmit on the MIDI out port event it was set to MIDI-OUT.
- Global Accent Hit volume source selection (Default /
- Created a new type of menu to easily set numerical value.
- Accent volume can range from [-40db, + 6db]
- Default value is set to 0db
- Added scrolling for item in menus (Accent Hit & Single Choice Menu)
- Fixed Wrapping text of custom Accent hit list.

1.9.0

- Custom Font Size
- Automatic Large font size when entering Folder / Song selection window with the footswitch
- Hide Sobriety Feature option
- Custom Accent Hit selector menu.
- Select between Default and Global special effect source
- The Global list include all the project Accent Hit with their real name
- Custom ways added in the EFFECTS folder. (the name can be longer than the 8.3 format)

1.7.9

- Fixed Update bug

1.7.8

- MIDI CC: Trigger Intro Command (CC:114)
- MIDI CC: Drum set Selection MIDI Command (CC:116)
- Can now selects next part with transition command.
- Song can now be started with a transition command

Changelogs

1.7.7a

- Created new menu layout to show the MIDI CC Value when settings MIDI options
- Created new option folder to group by MIDI message type
- Created new type of menu to Enable/Disable all the CC messages at once
- New MIDI messages:
 - MIDI CC: Trigger Drum Fill (CC:112)
 - MIDI CC: Trigger Transition Fill (CC:113)
 - MIDI CC: Trigger Outro (CC:115)
 - MIDI CC: Tempo MSB (CC:106)
 - MIDI CC: Tempo LSB (CC:107)
 - MIDI CC: Data Increment (CC:96)
 - MIDI CC: Data Decrement (CC:97)
 - MIDI CC: NRPN LSB (CC:98)
 - MIDI CC: NRPN MSB (CC:99)

1.7.6a

- Fixed Bad default tempo bug generated when pressing next / previous song at the same time.
- Fixed little bug that could lead to the loading of the wrong song after a reboot (this was found when fixing previous bug).
- Fixed Tap tempo glitch that could happen if someone presses the two footswitches (in tap tempo mode) at the same time or sends two tap tempo command to fast. The BeatBuddy now rejects any tap tempo request if the delay between the previous one is less than 120ms. This will fix the glitches that forced the BPM to 300 instantly.
- Added new option in the Midi Sync (out) menu. Midi Sync message can now be sent only when playing. This will lead to a better compatibility with other MIDI devices. I also changed the label Enabled to Always On in the menu.
- Added a new menu to Enable / Disabled sending the custom Next Part Midi message (CC102). Some user had problem with their timeline. Removing the Next Part Message will fix the problem.
- Added a new option in the MIDI-OUT menu to enable / disable the time signature midi message. I think this message could be badly interpreted by MIDI devices since it's a MIDI-EX message and implementation may differ from one product to another.

Changelogs

1.7.5

- Fixed Bad default tempo bug generated when pressing next / previous song at the same time.
- Fixed little bug that could lead to the loading of the wrong song after a reboot (this was found when fixing previous bug).
- Fixed Tap tempo glitch that could happen if someone presses the two footswitches (in tap tempo mode) at the same time or sends two tap tempo command to fast. The BeatBuddy now rejects any tap tempo request if the delay between the previous one is less than 120ms. This will fix the glitches that forced the BPM to 300 instantly.
- Added new option in the Midi Sync (out) menu. Midi Sync message can now be sent only when playing. This will lead to a better compatibility with other MIDI devices. I also changed the label Enabled to Always On in the menu.
- Added a new menu to Enable / Disabled sending the custom Next Part Midi message (CC102). Some user had problem with their timeline. Removing the Next Part Message will fix the problem.
- Added a new option in the MIDI-OUT menu to enable / disable the time signature midi message. I think this message could be badly interpreted by MIDI devices since it's a MIDI-EX message and implementation may differ from one product to another.

1.7.4

- Fixed USB connection bug when BB is in Folder / Drum Set / Song Selection window.
- Added MIDI control change Bank / Patch / Program
- Fixed Midi Merge error that could make the BB reboot if a Rx packet was malformed / corrupted
- Fixed Headphone Volume flickering bug. (Window is not shown if volume is under 20)
- Fixed no special effect bug that caused a reboot of the BeatBuddy.
- MIDI CC: External Tap Tempo (CC:117)

1.7.3

- Midi-Merge improvement. System exclusive messages can be interleaved by Real Time messages

1.7.2

- Fixed bug caused by new feature in 1.7.1

1.7.2

- BB now chokes notes when external notes are received with a velocity of 0

Changelogs

1.7.1

- Fixed Random Reboot bug (Critical)
- Improved stability and memory usage.
- MIDI-MERGE feature.
 - The BeatBuddy now supports the Midi Merge Feature.
 - Merge algorithm minimizes the latency. It can also tolerate some badly formed MIDI-message.
 - GLOBAL drum set volume: The drum set now has a customisable volume (via BB Manager). The File version of the drum set is now 1.1.

1.5.0

- Fixed Visual metronome when stopped bug.
- Added Sleep Mode.

1.4.1

- Pop / Crack sound is removed when playing track.
- Fixed the Midi message running status bug.

1.4.0

- Fixed not working "Disabled default tempo"
- Fixed: Scrolling through menu options doesn't loop
- Made default cue fill period 100%
- Improved transition fill "flow" algorithm
- Re-ordered Main Pedal settings menu

1.3.0

- BB now supports external midi instruments
- Default drumset set when pressing Drumset Encoder
- New settings menu:
 - Changed the default pedal type to Momentary Normally Off
 - Added default tempo Enable/Disable
 - Default drumset Enable/Disable
- Midi message containing the time signature when loading a song
- Count in feature
- Fixed Player problem
 - Double press after transition
 - Outro cancel problem
- Headphone bug
- Lowered the sensitivity that makes the screen change to the volumes windows.
- Changed Queue Fill period to Cue Fill Period

Changelogs

- Added 0% and 100% in the cue fill period
 - At 0%, when the pedal is press the drum fill & transition always trigger immediately
 - At 100% the player always wait until the next bar before launching the drum fill & transition.