

TECHNICAL DATASHEET

level shower tray (concrete floor)



revestech[®]
WATERPROOFING SYSTEMS



description

Complete kit for building a flat shower tray, 100% waterproof, to inset into the floor, suitable for coating the entire shower with the same tiling without slopes or steps, with drainage of water via the tiles joints.

Versatility: it enables the installation of various ceramic formats whenever we cover at least one of the measures of the shower floor, either width or length (as appropriate). Preferably porcelain coating.

Cleaning: Self-cleaning surface with antibacterial sanitary treatment. In addition, since there are no joints, this avoid the typical efflorescence that appears between the joints.

Maintenance: It has a profile system that allows the floor to be easily raised, allowing access into the shower floor and to the water trap. For the cleaning of the chosen tiles, follow the manufacturer's instructions.

Impact noise insulation: the 4 mm perimeter seal isolates the shower floor at all its joints, attenuating the transmission of impact noise.

1. shower tray
2. drain with water trap
3. waterproof perimeter band
4. trim piece (optional installation)
5. tiling profiles
6. REVESTTECHflex adhesive
7. protector in installation
8. cleaning key

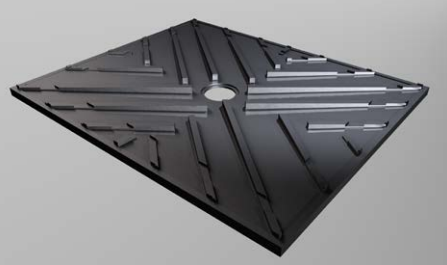
advantages

- Invisible
- Waterproof.
- Completely flat.
- Self-cleaning surface with antibacterial sanitary treatment.
- Sound-absorbing material.

* Suitable to install on wooden floors. Do not increase the bathroom height. Minimum thickness (20 mm). Minimum installation height.



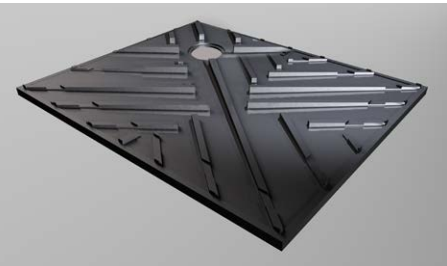
FOR CONCRETE FLOOR



CUSTOM MADE PRODUCTION UNDER ORDER

description	sizes
level shower tray 60x100	60 x 100 cm
level shower tray 70x90	70 x 90 cm
level shower tray 70x100	70 x 100 cm
level shower tray 70x120	70 x 120 cm
level shower tray 80x90	80 x 90 cm
level shower tray 80x100	80 x 100 cm
level shower tray 80x120	80 x 120 cm
level shower tray 80x140	80 x 140 cm
level shower tray 90x90	90 x 90 cm
level shower tray 90x100	90 x 100 cm
level shower tray 90x120	90 x 120 cm
level shower tray 90x140	90 x 140 cm
level shower tray 100x100	100 x 100 cm
level shower tray 100x120	100 x 120 cm
level shower tray 100x140	100 x 140 cm

FOR WOODEN FLOOR



CUSTOM MADE PRODUCTION UNDER ORDER

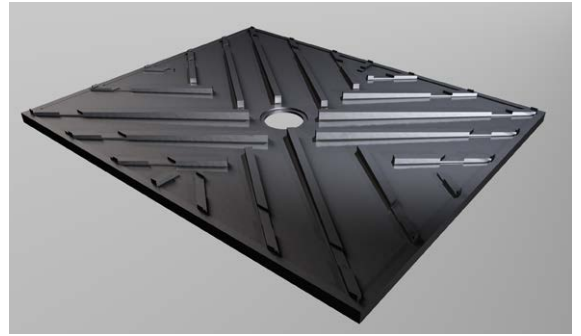
description	sizes
level shower tray W 60x100	60 x 100 cm
level shower tray W 70x90	70 x 90 cm
level shower tray W 70x100	70 x 100 cm
level shower tray W 70x120	70 x 120 cm
level shower tray W 80x90	80 x 90 cm
level shower tray W 80x100	80 x 100 cm
level shower tray W 80x120	80 x 120 cm
level shower tray W 80x140	80 x 140 cm
level shower tray W 90x90	90 x 90 cm
level shower tray W 90x100	90 x 100 cm
level shower tray W 90x120	90 x 120 cm
level shower tray W 90x140	90 x 140 cm
level shower tray W 100x100	100 x 100 cm
level shower tray W 100x120	100 x 120 cm
level shower tray W 100x140	100 x 140 cm

components

1.1 shower former FOR CONCRETE FLOOR

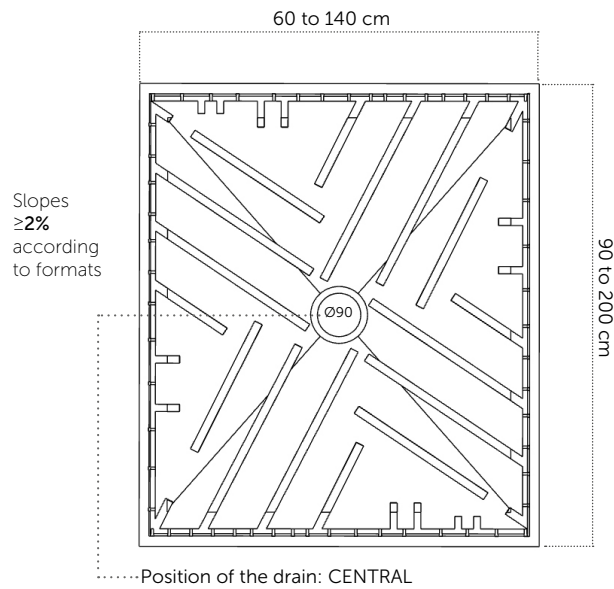
_height: 26 mm

_material: polyurethane



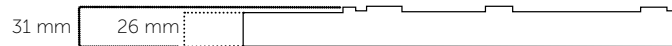
Top view

LEVEL FOR CONCRETE FLOOR:

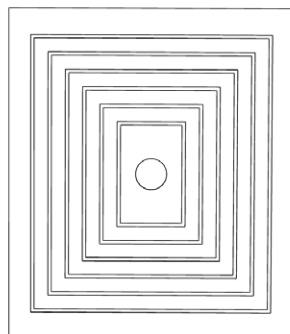


Side view

LEVEL FOR CONCRETE FLOOR:



Bottom view



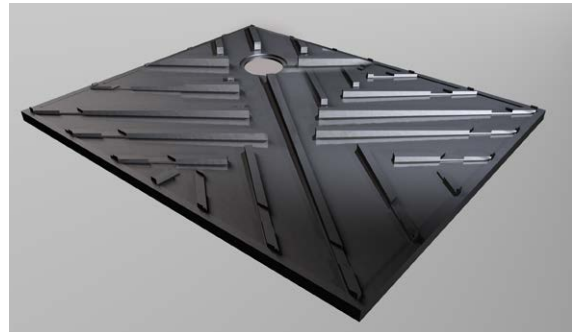
It has dovetail-shaped grooves to improve the C2 tile adhesive anchoring.



1.2 shower former FOR WOODEN FLOOR

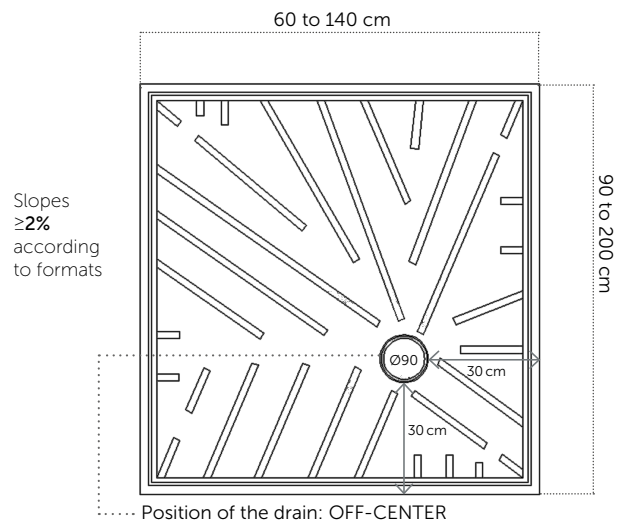
_height: 20 mm

_material: polyurethane



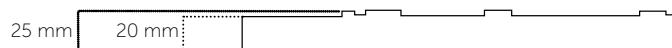
Top view

LEVEL FOR WOODEN FLOOR:

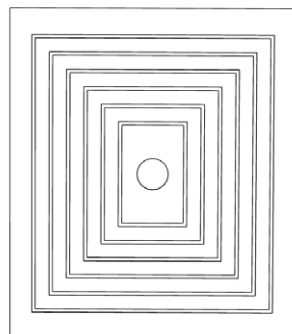


Side view

LEVEL FOR WOODEN FLOOR:



Bottom view



It has dovetail-shaped grooves to improve the C2 tile adhesive anchoring.



2.1 drain with water trap

description

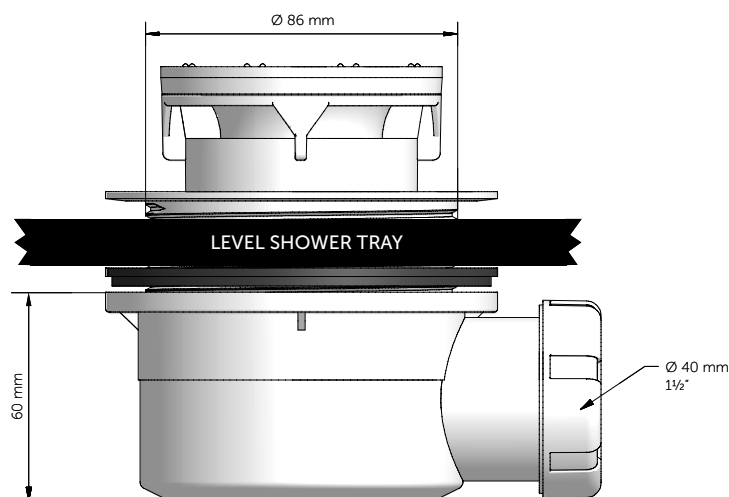
Drain with water trap (convertible into straight drain) for the invisible level shower tray with HORIZONTAL outflow (40 mm). It is placed at the centre of the tray and can be rotated through 360 °.

_drain installation height: 60 mm

_outlet: horizontal Ø40h

_rate flow: 0,5 litres/second S/UNE-EN 274

_composition: polyurethane



drain
installation
height:
60 mm

2.2 drain with water trap

ONLY AVAILABLE FOR UK MARKET

description

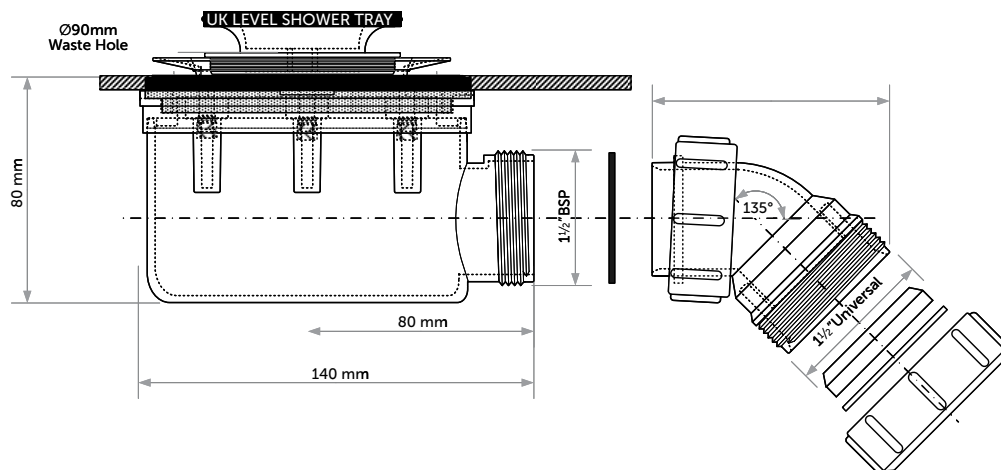
Drain with water trap (convertible into straight drain) for the level invisible shower tray with HORIZONTAL outflow (40 mm). It is placed at the centre of the level tray and can be rotated through 360°.

_level tray installation height: 80 mm

_rate flow: 0.5 litres/second s/UNE-EN 274

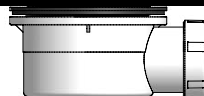
_composition: polypropylene

_water seal: 50 mm



drain
installation
height: 80 mm

UK LEVEL SHOWER TRAY



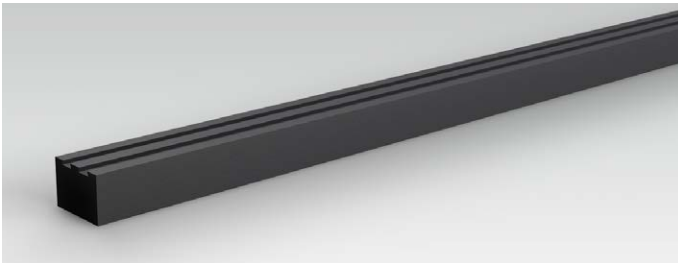
components



3. perimeter band

description

Dry50 connecting band of 0.13 x 5 m/l for the treatment and waterproofing of the joints between the horizontal and vertical surfaces.



4. trim piece for the walls

description

14 mm x 14 mm compact PVC finish. On the raised side of the shower floor against the wall, it serves as a support bracket to prevent friction between the ceramic pieces. On the other side, against the wall, it acts as a decorative strip for a better finish. Its dovetail bottom favours the grip of the REVESTTECHflex adhesive. 2 units of the longest shower floor dimension are included.



5. tiling frames

description

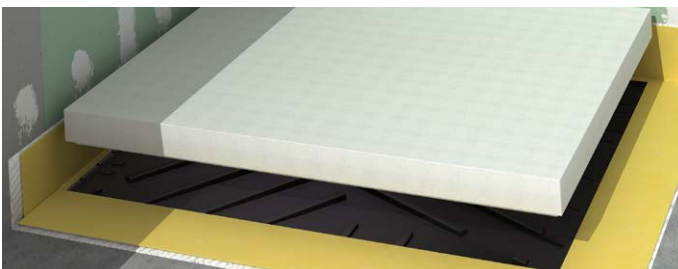
PVC profiles which serve to secure the tiles to the shower floor. They prevent movement of the parts and facilitate lifting for cleaning. 2 units of the longest shower floor dimension are included.



6. adhesive REVESTTECHflex

description

High performance modified silane-based adhesive for bonding ceramics on profiles, and the perimeter strip on the wings of the shower floor (310 ml cartridge).



7. protector in installation

description

Protective piece in low density EPS, to avoid damage to the shower tray during the installation phase.



8. cleaning key

description

Tool made of 306 stainless steel, for facilitating lifting the tiles.

technical data

level drain	testing method	unit	value
Outlet		mm	Horizontal 40
Outlet diameter		mm	40
Flow rate	Flow according to Standard UNE-EN 274	l/s	0,5
Composition	Polypropylene		

level shower tray	standard	unit	value
FILLING MATERIAL: Fire classification	EN 13501-1		E
SHOWER FLOOR TILING: Fire flammability testing	DIN 4102-98 part 1		B2
Compressive strength WITHOUT tiling	EN 826	kPa	2000
E-Modulus	EN 826	kPa	55000
Tensile strength	EN 1607	kPa	1500
E-Modulus	EN 1607	kPa	40000
Transverse tensile strength	EN 12089	kPa	2500
Shear modulus	EN 12090	kPa	600
Thermal conductivity at 10°C	EN 12667	W/mK	0,030*
Usage limit temperatures		°C	-70 +130

*The thermal conductivity values have been defined with Standard EN 12667 over 6 weeks at an average temperature of 10°C.

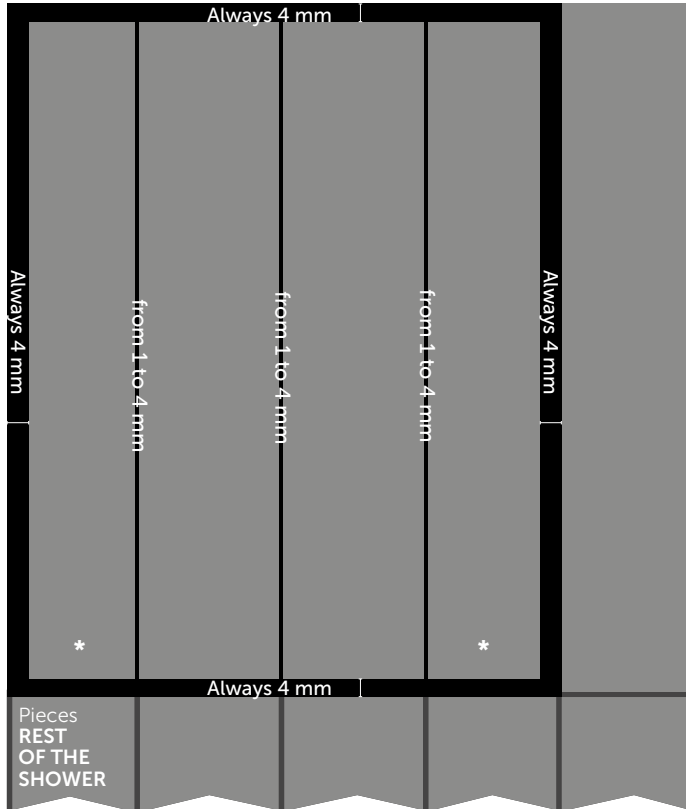
test	standard	results
WATER VAPOUR TRANSMISSION (Determination of properties)	UNE-EN 1931:2001	$\mu = 2496$
WATERTIGHTNESS	EOTA TR003	Watertight
RESISTANCE TO MECHANICAL DAMAGE Resistance to dynamic punching shear	EOTA TR 006	No breakage
RESISTANCE TO MECHANICAL DAMAGE (perforation) Resistance to static punching shear	EOTA TR 007	No breakage
RESISTANCE TO FATIGUE	EOTA TR 008	No breakage
RESISTANCE TO THE EFFECTS OF LOW TEMPERATURES (-10°C) Dynamic punching shear	EOTA TR 006	No breakage
MECHANICAL STRENGTH Resistance to heat ageing (200 days at 70°C) – (dynamic punching shear)	EOTA TR 011	No breakage
RESISTANCE TO FATIGUE Resistance to heat ageing (200 days at 70°C)	EOTA TR 011 and EOTA TR 008	No breakage
RESISTANCE TO WATER AGEING Resistance to ageing (punching shear)	EOTA TR 012 and EOTA TR 004	No breakage

resistance to chemicals	exposure for one week at room temperature
Methanol, alcohols	Not recommended
Petrol, diesel	No apparent damage
Toluene, Xylene	Not recommended
Water at 82°C for 14 days	No apparent damage
10% salt water, 50°C, 14 days	No apparent damage
Sulfuric, hydrochloric and phosphoric acids (<10%)	No apparent damage
Sodium and potassium hydroxides (<10%)	There is apparent damage
Acetic acid <10%	No apparent damage
DMF, acetone, THF	Not recommended

seals

SEAL TREATMENT

The diagram below shows an **overhead view of the seals on the level shower tray.**



A_various tiles

SEALS ON THE LEVEL TRAY

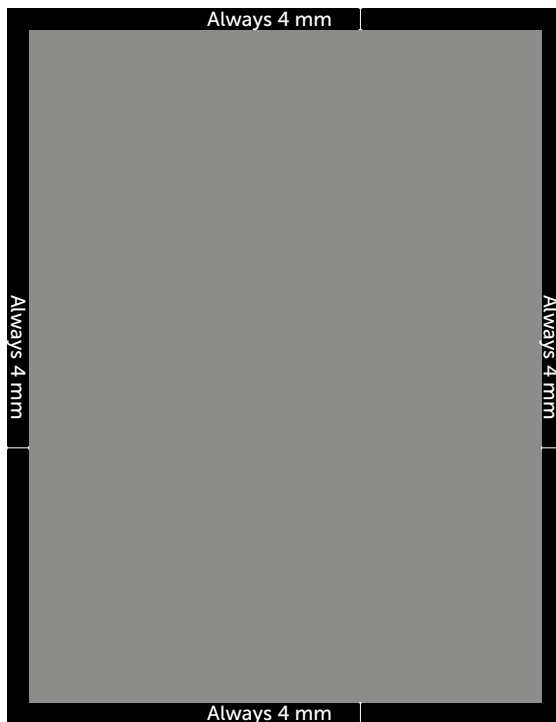
Perimeter seals:

Remember that the perimeter of the tiles on the level shower tray **should always have a 4 mm seal** on all 4 sides.

Seals between tiles:

Except for the case in which there is a single tile, the seals between tiles should be **1 to 4 mm**.

* If using the same tiling throughout the bathroom, the tiles at the end of the level shower tray should be cut lengthwise to make all the seals match.



B_single tile

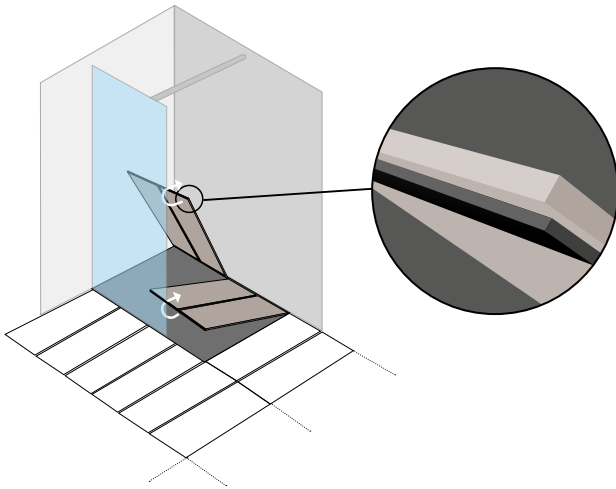
Perimeter seal:

The perimeter of the single tile of the level shower tray should **always have a 4 mm seal**.

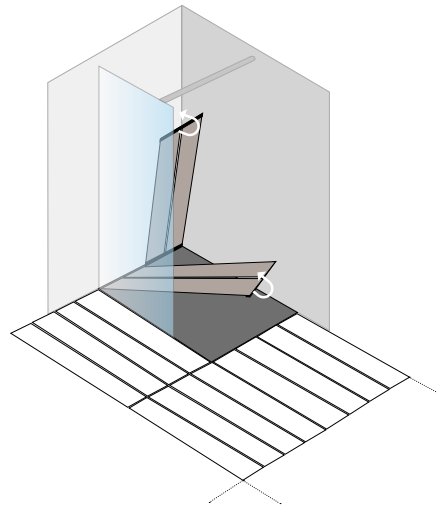
raised decking

LIFTING THE CERAMIC TILING

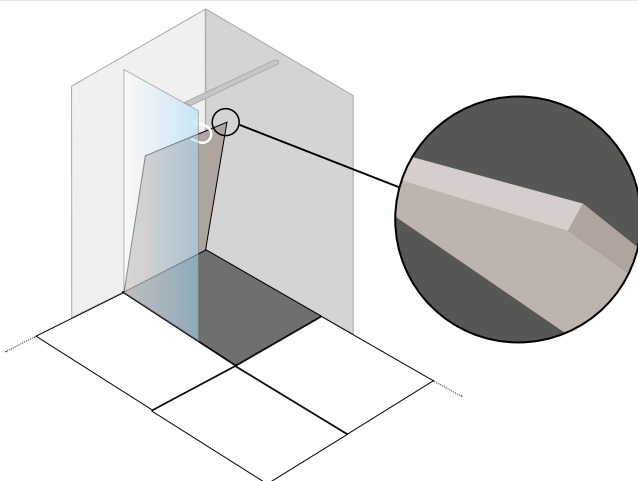
A_VARIOUS TILES_HORIZONTAL layout



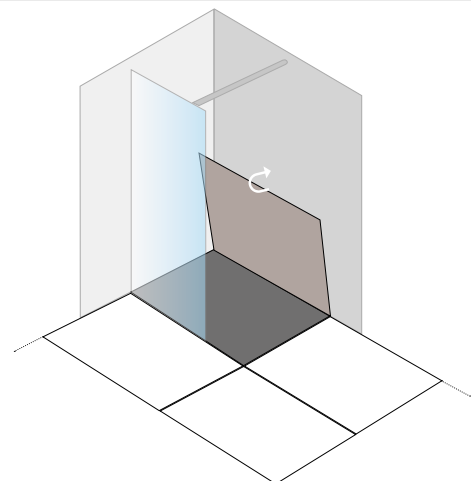
B_VARIOUS TILES_VERTICAL layout



C_SINGLE TILE_HORIZONTAL layout



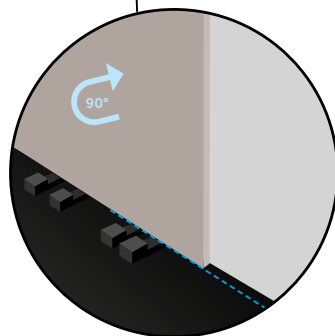
D_SINGLE TILE_VERTICAL layout



IMPORTANT

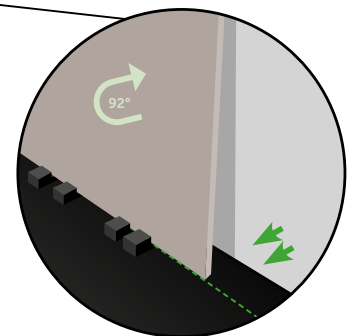
1. SUPPORT POSITION.

Having raised the decking with the aid of the key, remove the key and support it against the wall **TURNING it 90°.**



2. SAFETY POSITION.

Immediately push the lower part of the decking until reaching safety position, thereby supported by the stoppers projecting from the tray (green line). **TURNING it 92°.**



laying the tiles on the shower tray

Given the weight of the tiling, for easy elevation when cleaning the level shower tray, you must make one or more tracks, depending on the **measurement of the level tray** and the **size and layout of the tiles to be laid**.

The tracks are made by laying out the tiles on the level shower tray. Always taking the seals into account, cut the frames into one or more sections, leaving the floor of the tray divided into two or more tracks.

- Depending on **the tile size** make one or more tracks (**photos 1, 2 and 3**).

- Depending on **the tile layout**, the number of tracks may also vary (**photos 4 and 5**).

depending on the **tile size** _____



image 1

1 track

1 ceramic tile



image 2

2 tracks

6 ceramic tiles

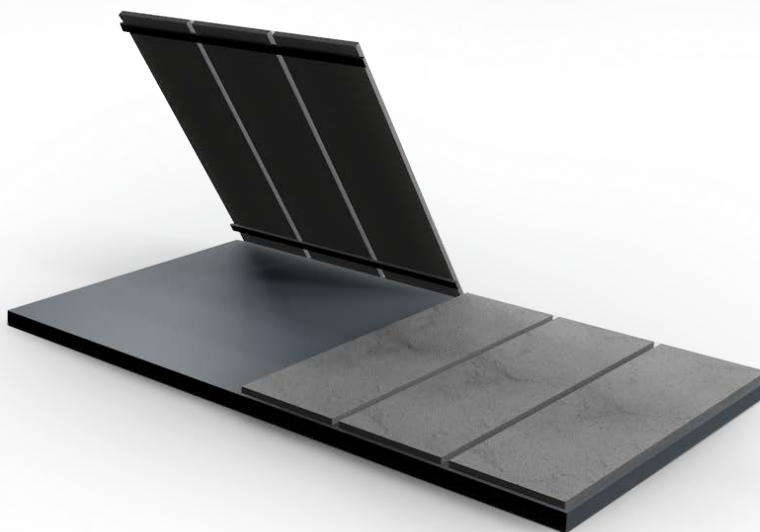




image 3
3 access sections
12 ceramic tiles

depending on the tile layout _____



image 4
2 tracks
4 ceramic tiles



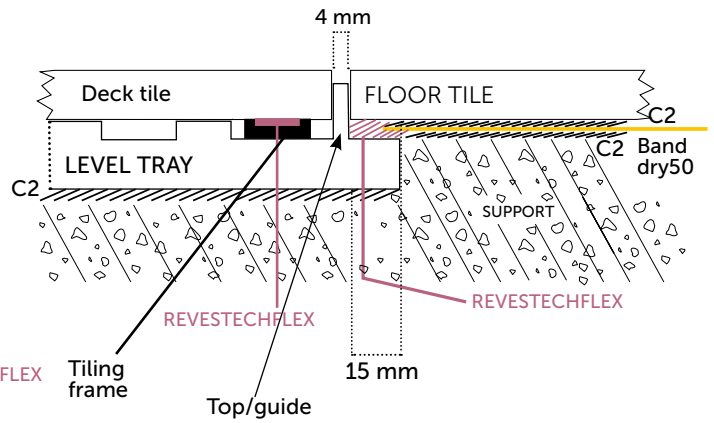
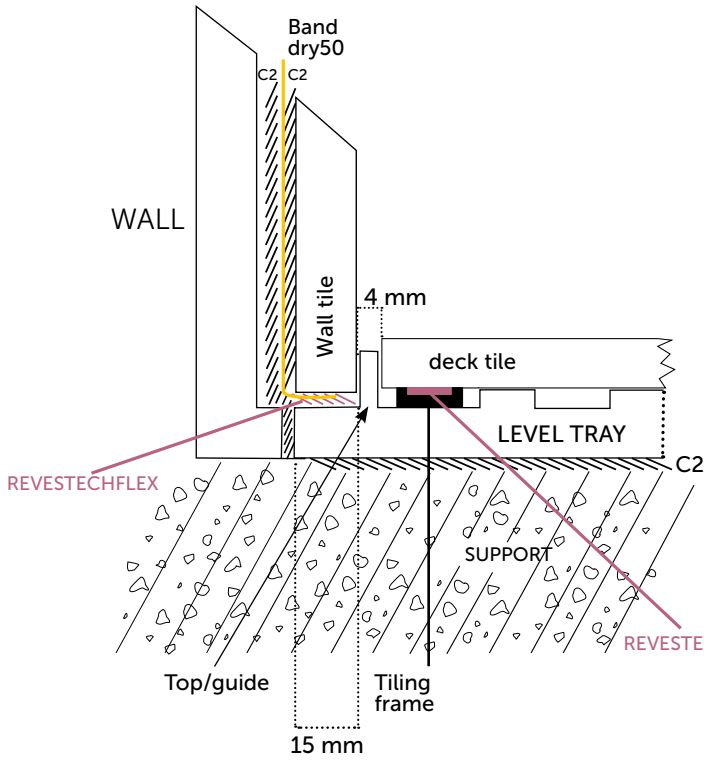
image 5
3 tracks
6 ceramic tiles

joints CONCRETE FLOOR

SHOWER FLOOR JOINTS

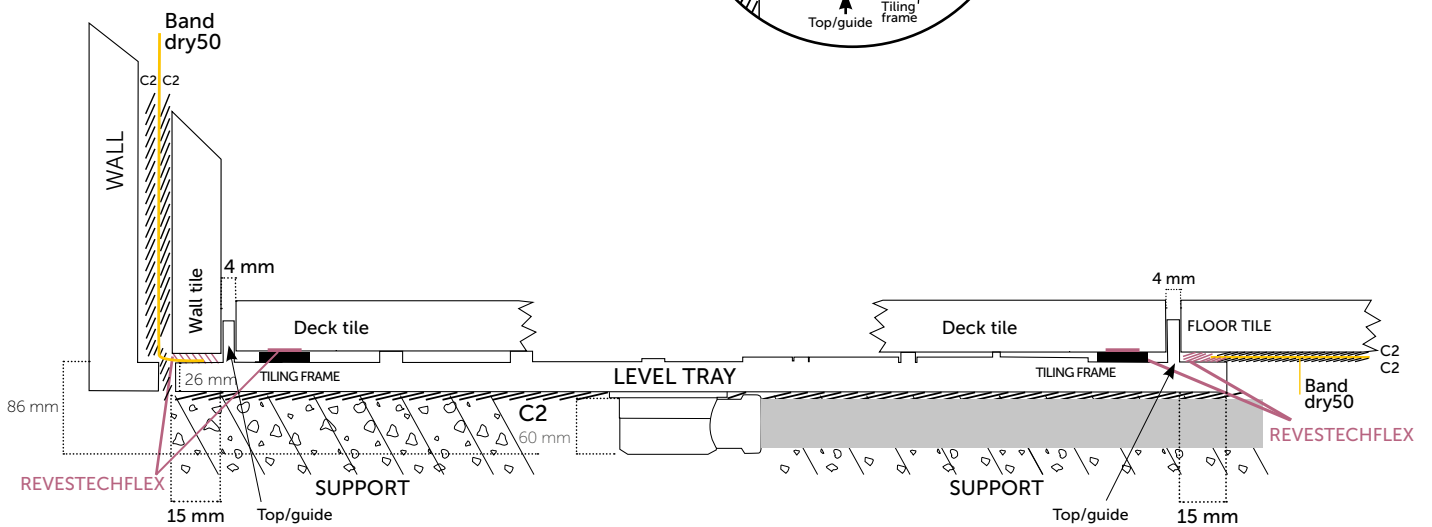
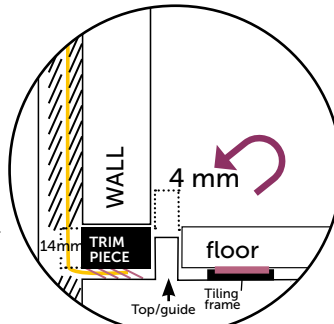
Detail of the joint at the edge of the level tray with the **WALL** tiling.

Detail of the joint at the edge of the level tray with the tiling of the **REST OF THE SHOWER**.

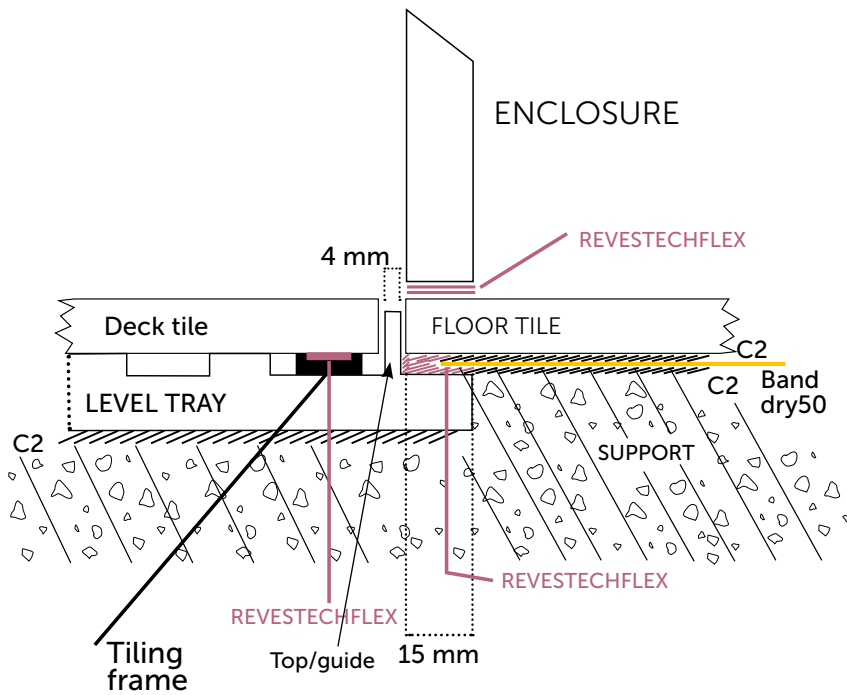
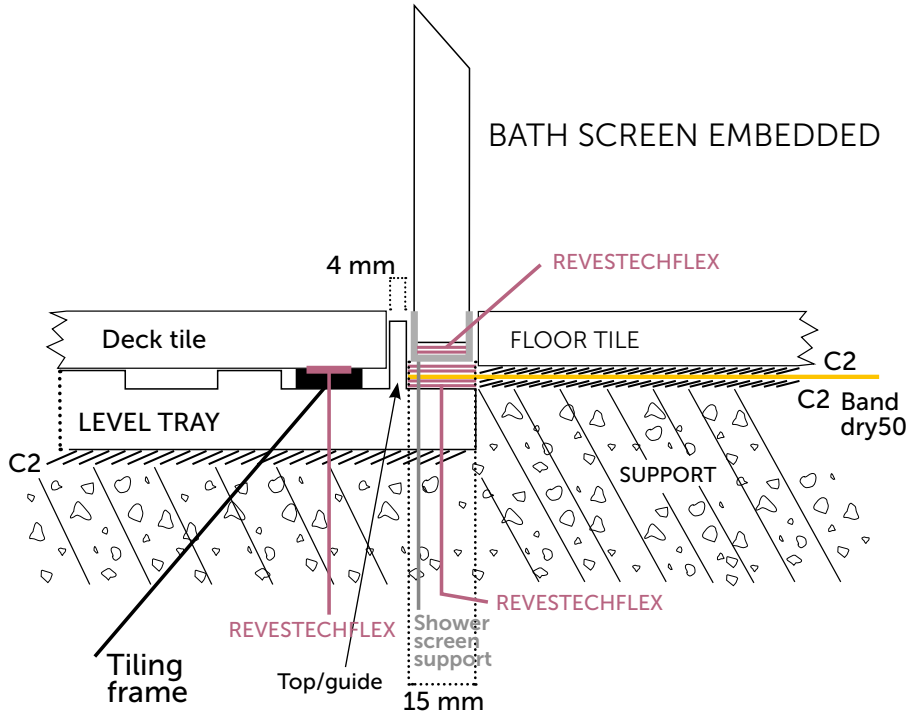


OPTIONAL: trim piece.

If for installation, do not want to support directly the tiles on the level tray, place the trim piece onto the flat part of the border of the tray.



Detail of the joint between the lining of the tray and the **SCREEN**.

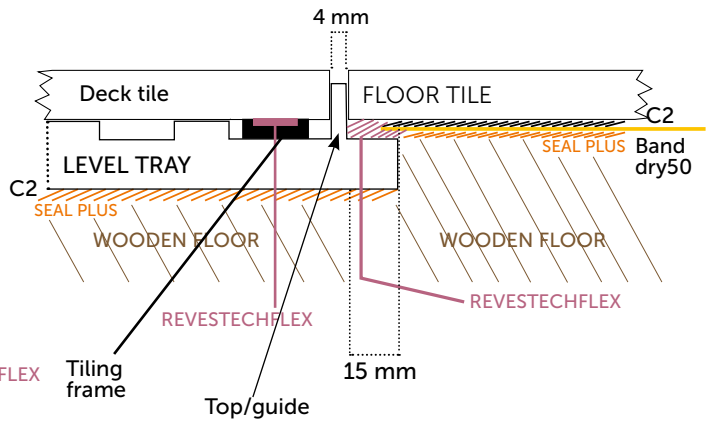
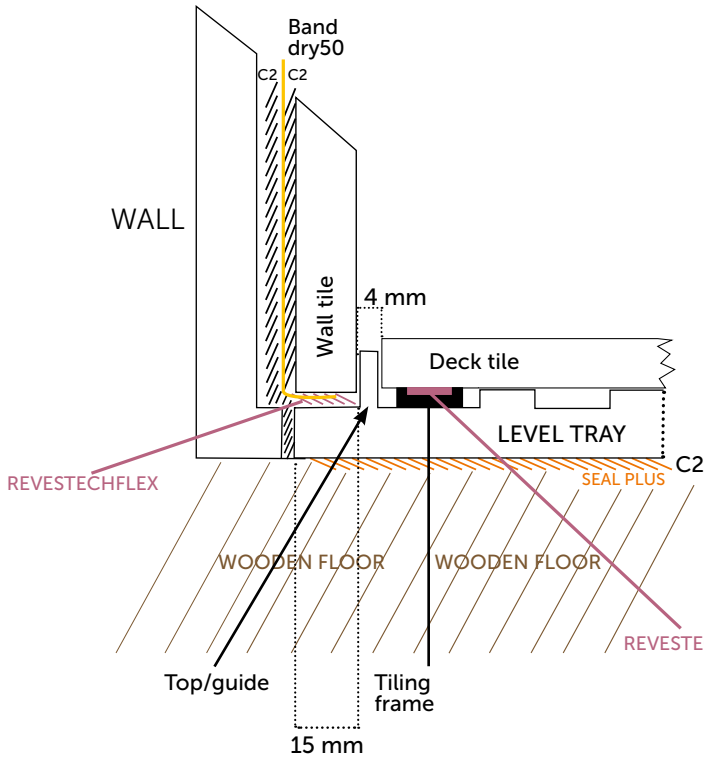


JOINTS WOODEN FLOOR

SHOWER FLOOR JOINTS- ON WOODEN FLOORS

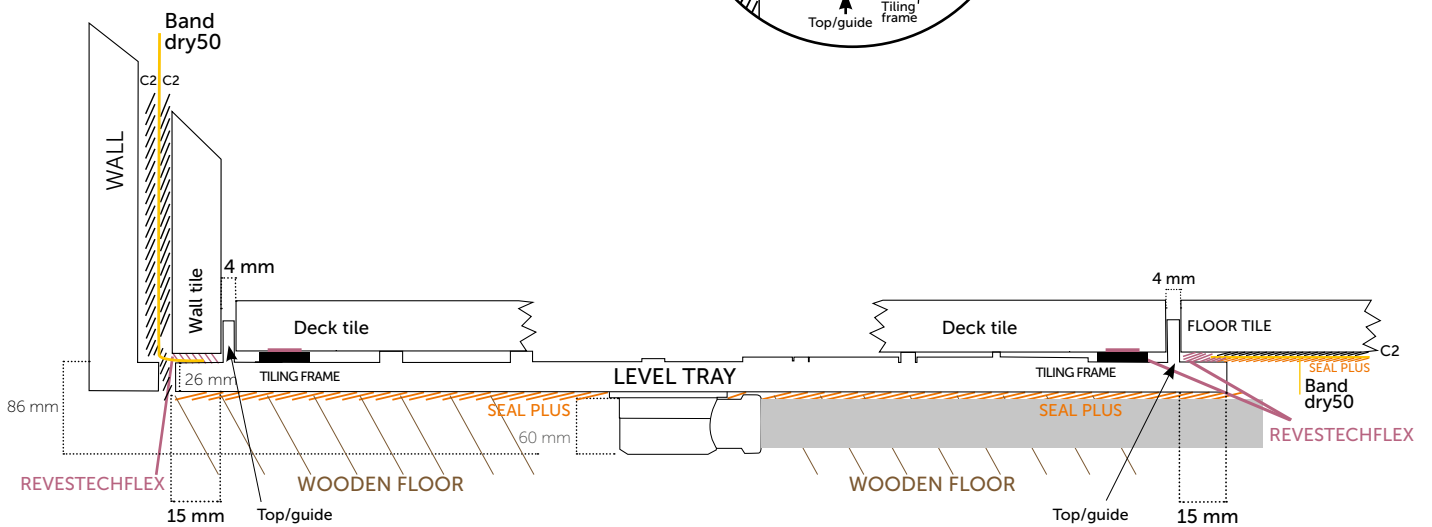
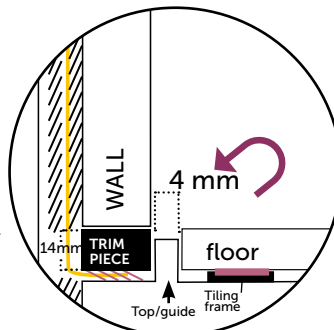
Detail of the joint at the edge of the level tray with the **WALL** tiling.

Detail of the joint at the edge of the level tray with the tiling of the **REST OF THE SHOWER**.



OPTIONAL: trim piece.

If for installation, do not want to support directly the tiles on the level tray, place the trim piece onto the flat part of the border of the tray.



Detail of the joint between the lining of the level tray and the screen.

