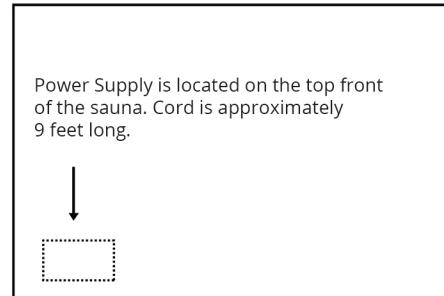
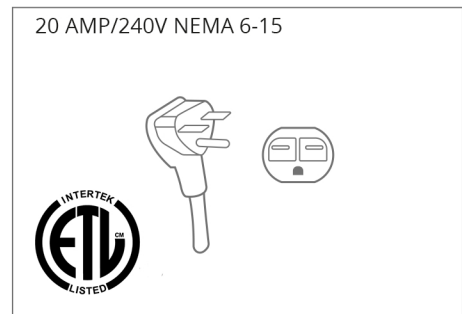
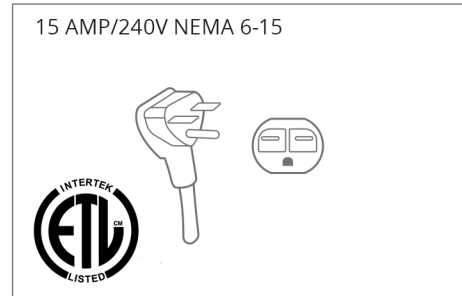
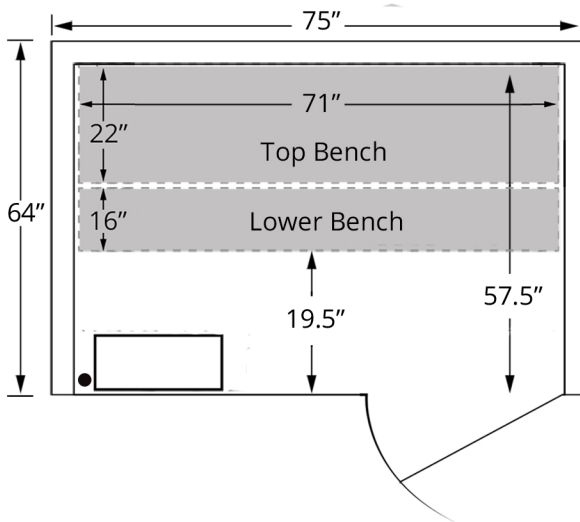


Back



Top View



SPECIFICATIONS

CONSTRUCTION

Canadian Grade "A" Clear Western Thermal Plus™ European Aspen Tongue & Groove Construction Insulated Walls 8mm Tempered Glass

EXTERIOR

Width: 75"
Sides: 64"
Height: 84"

INTERIOR

Width: 71"
Depth: 57.5"
Height: 75"
Top Bench: 71" x 22"
Lower Bench: 71" x 16"

INFRARED HEATERS

Spectrum Plus™ UL Listed Heater Low EMF/ELF Power: 240V / 2800w / 15A

TRADITIONAL HEATER

Harvia KIP45B ETL Listed Heater Power: 240V/1PH/20A