

Model S4B Wood-Fired Hot Tub
Quick Guide

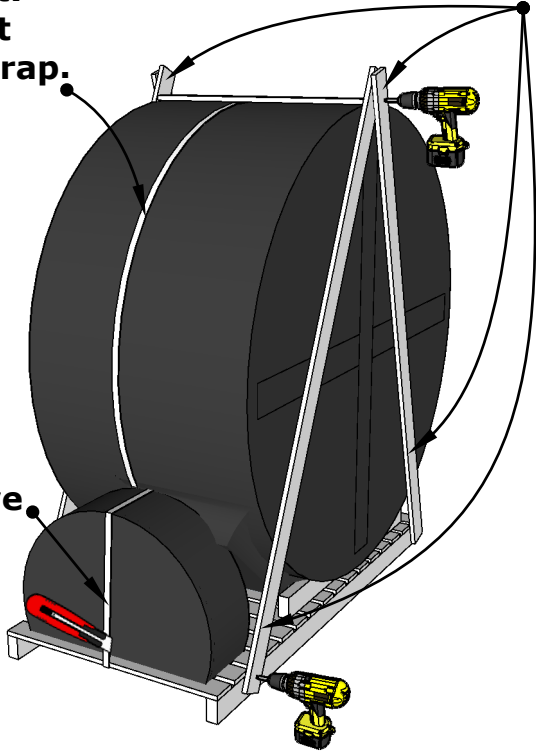
Serial No _____

I

Important!
Do not cut
hot tub strap.

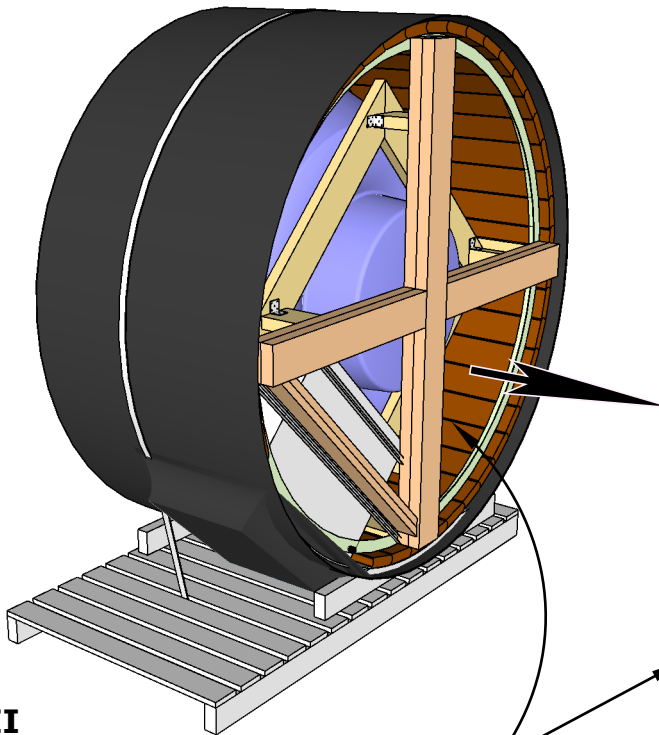
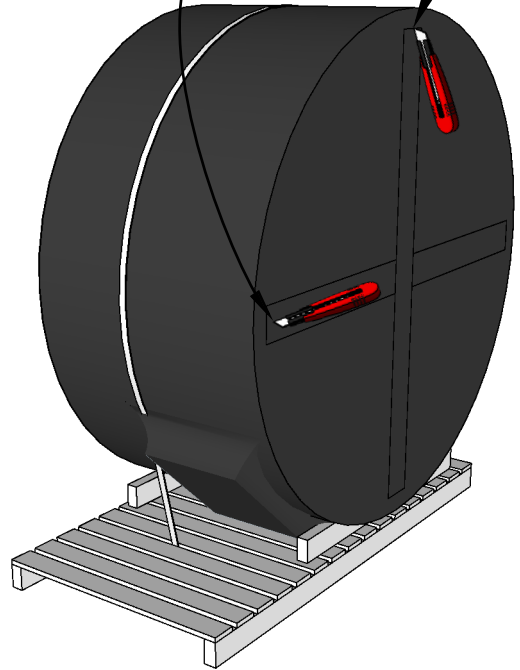
**Remove
boards.**

**Cut strap
and remove
steps.**



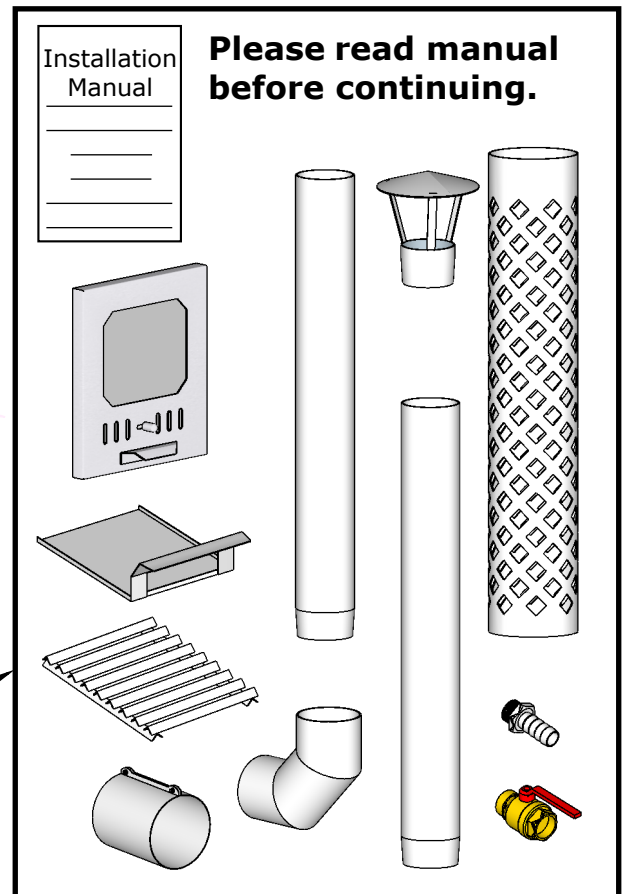
II

**Cut
bottom
plastic.**



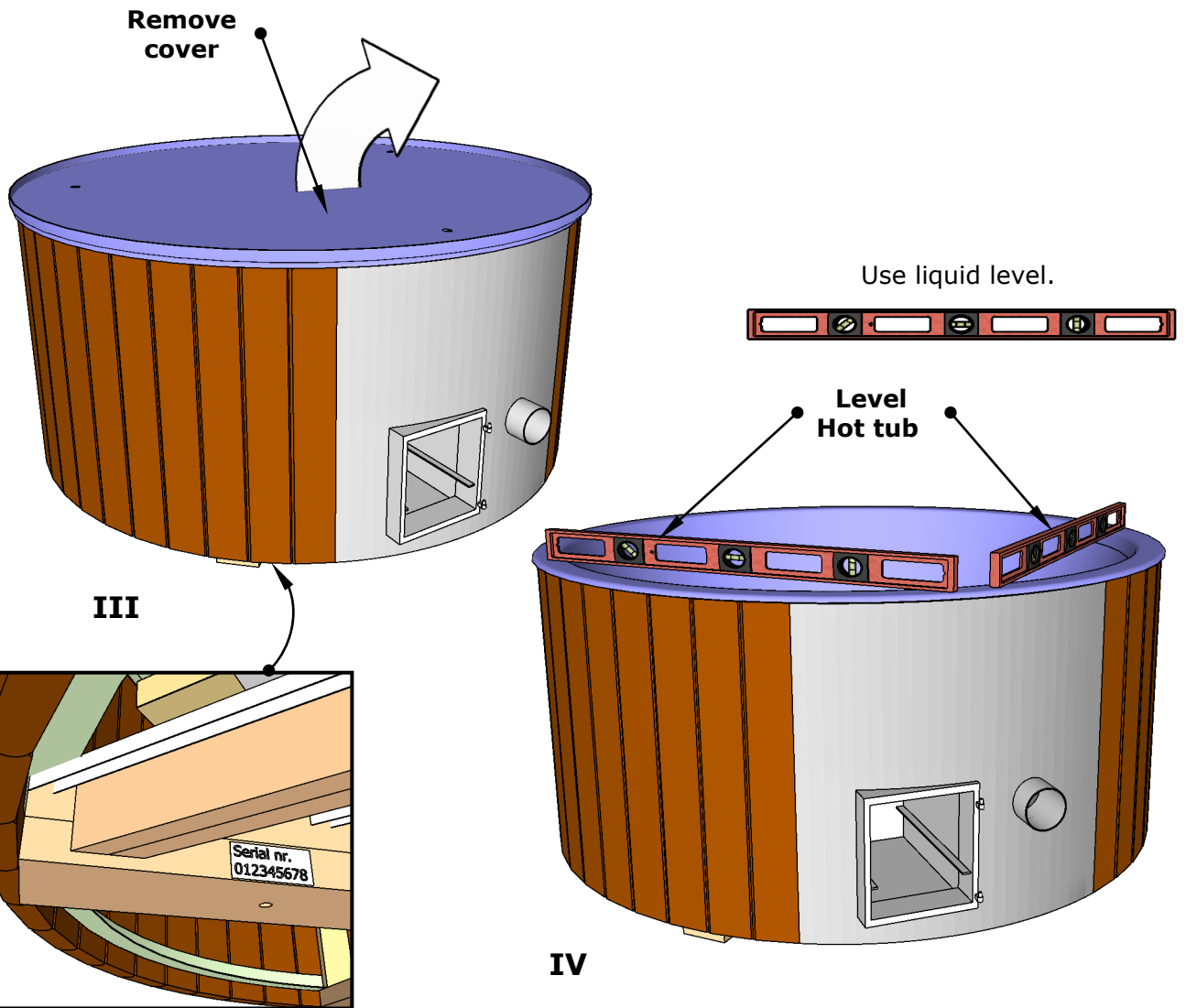
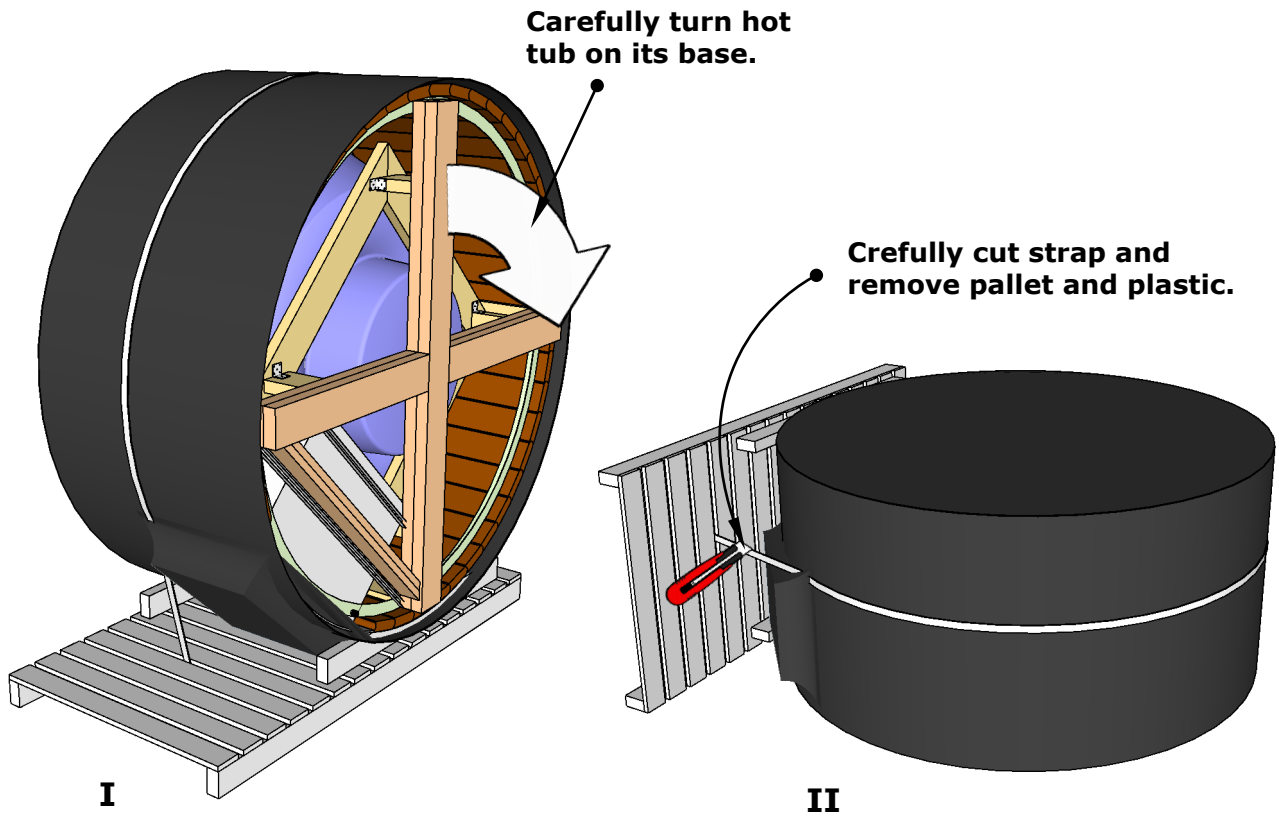
III

**Compare
contents with
parts diagram.**



Installation
Manual

**Please read manual
before continuing.**



1.

