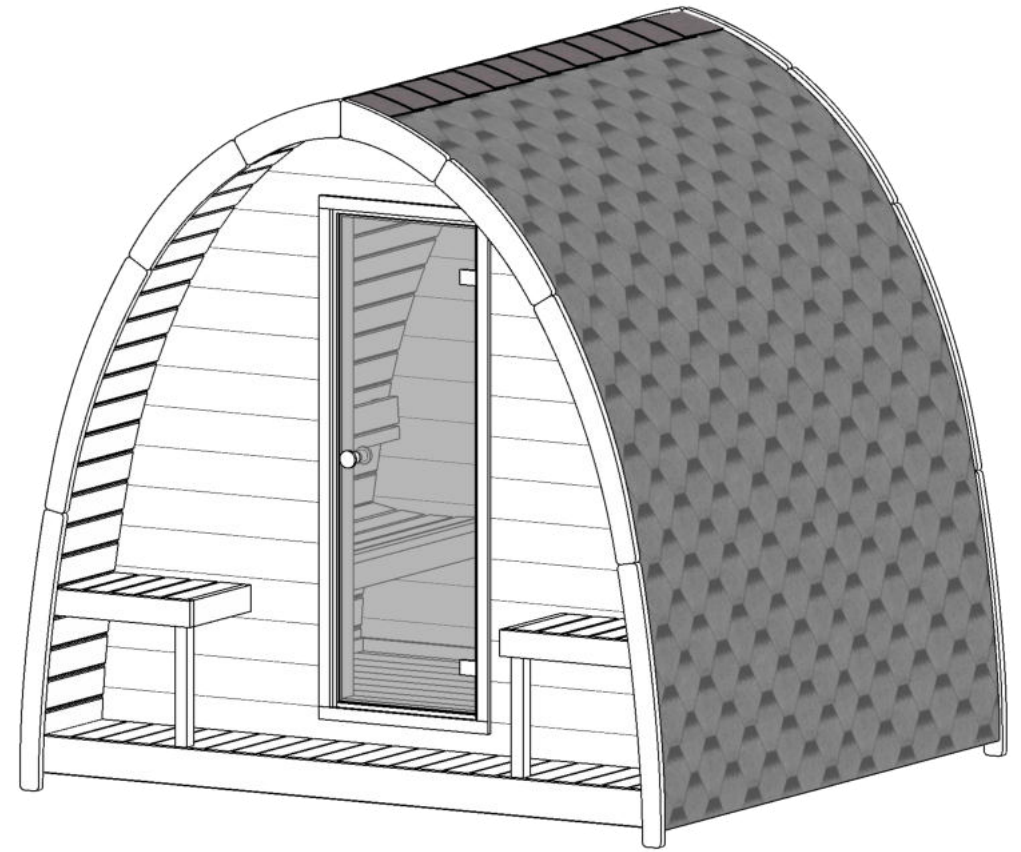
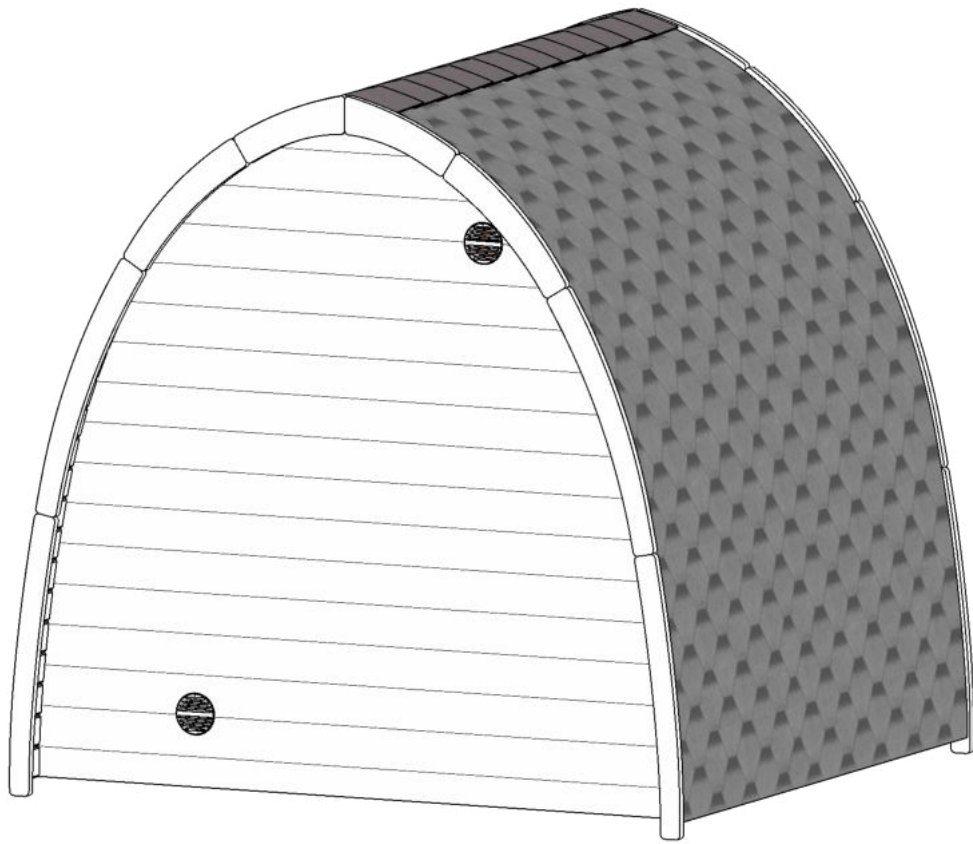


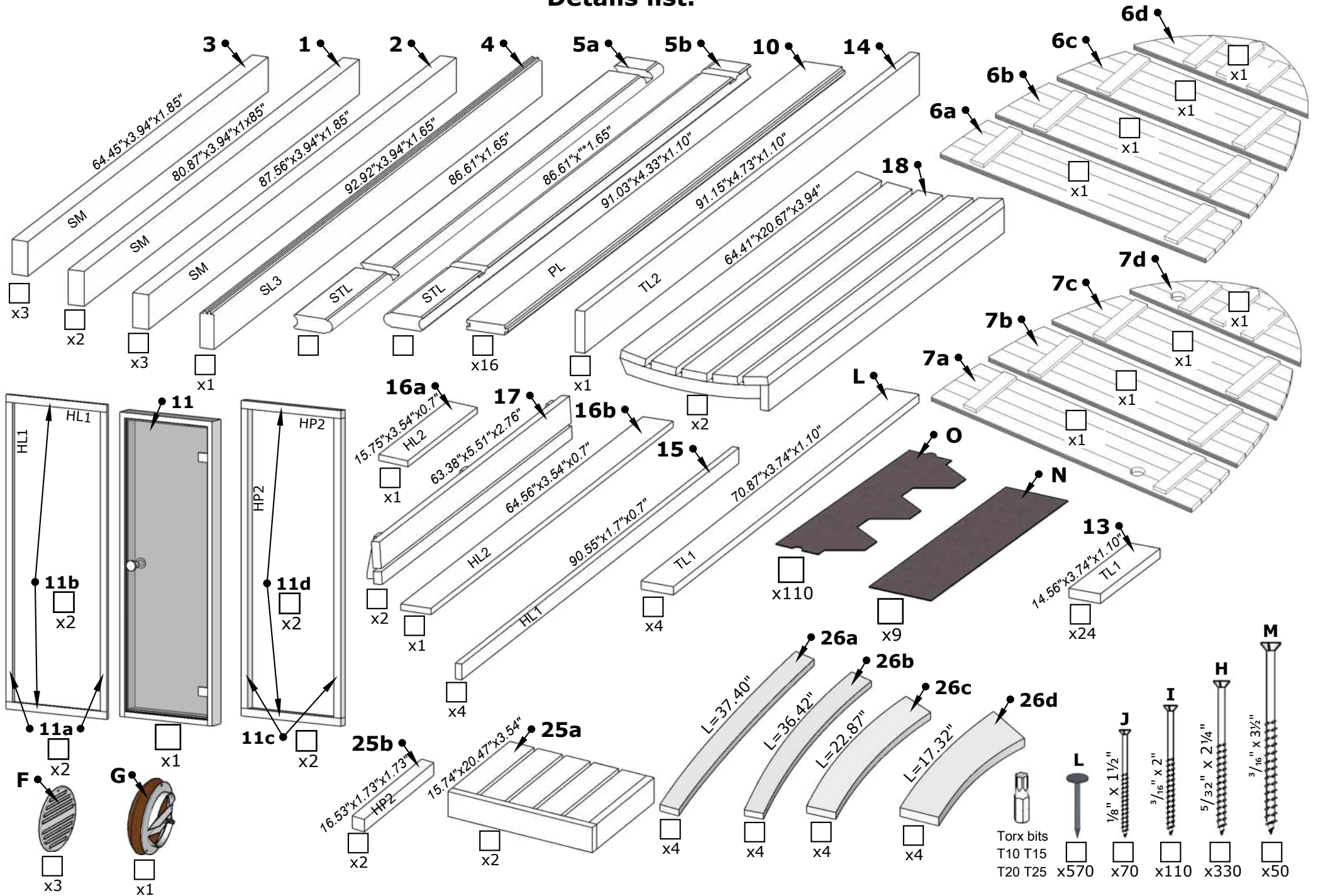


Garden-Series G3 Outdoor Sauna

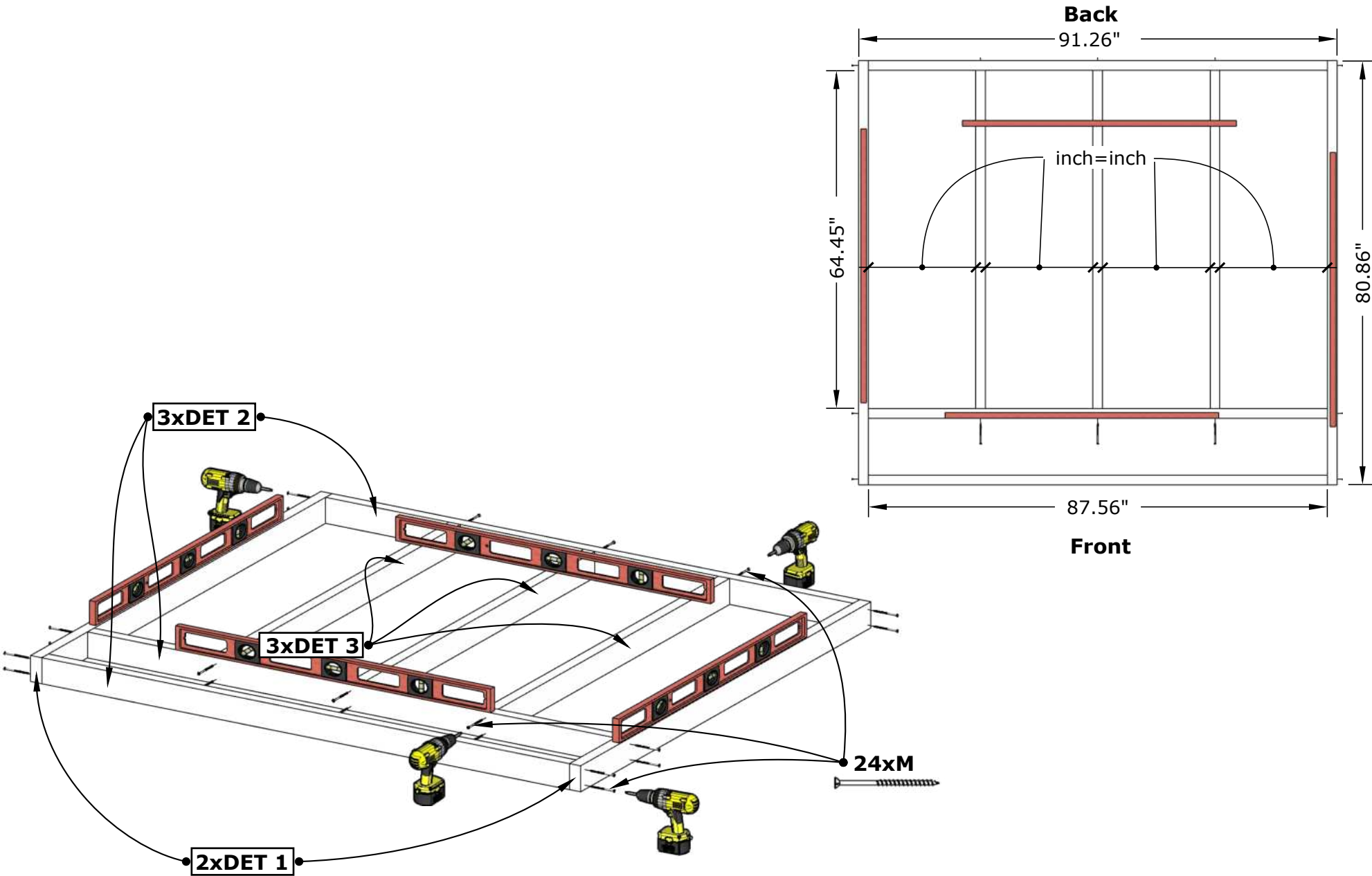


G3 Outdoor Sauna

Details list.

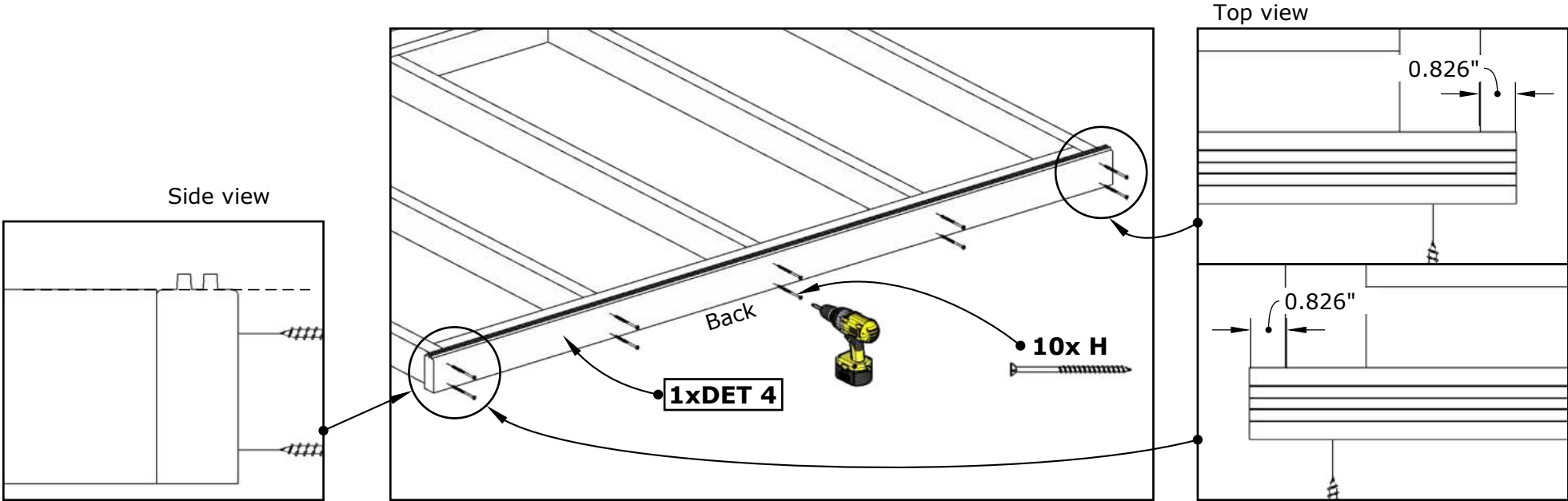


G3 Outdoor Sauna

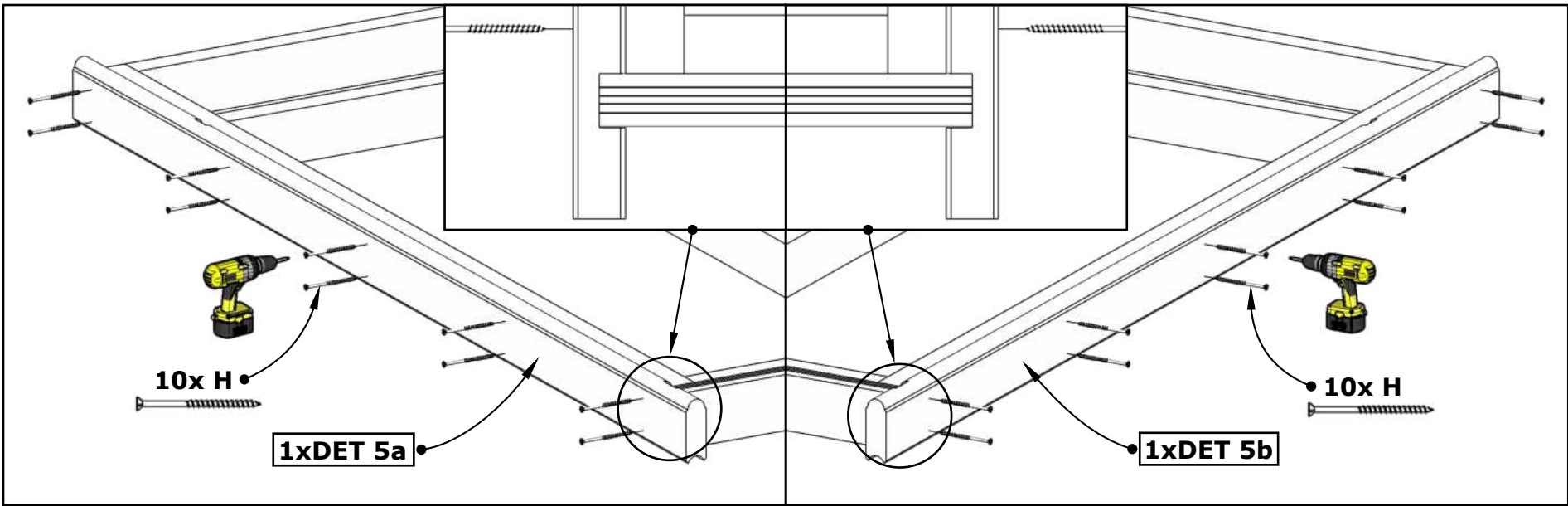


1. I

G3 Outdoor Sauna



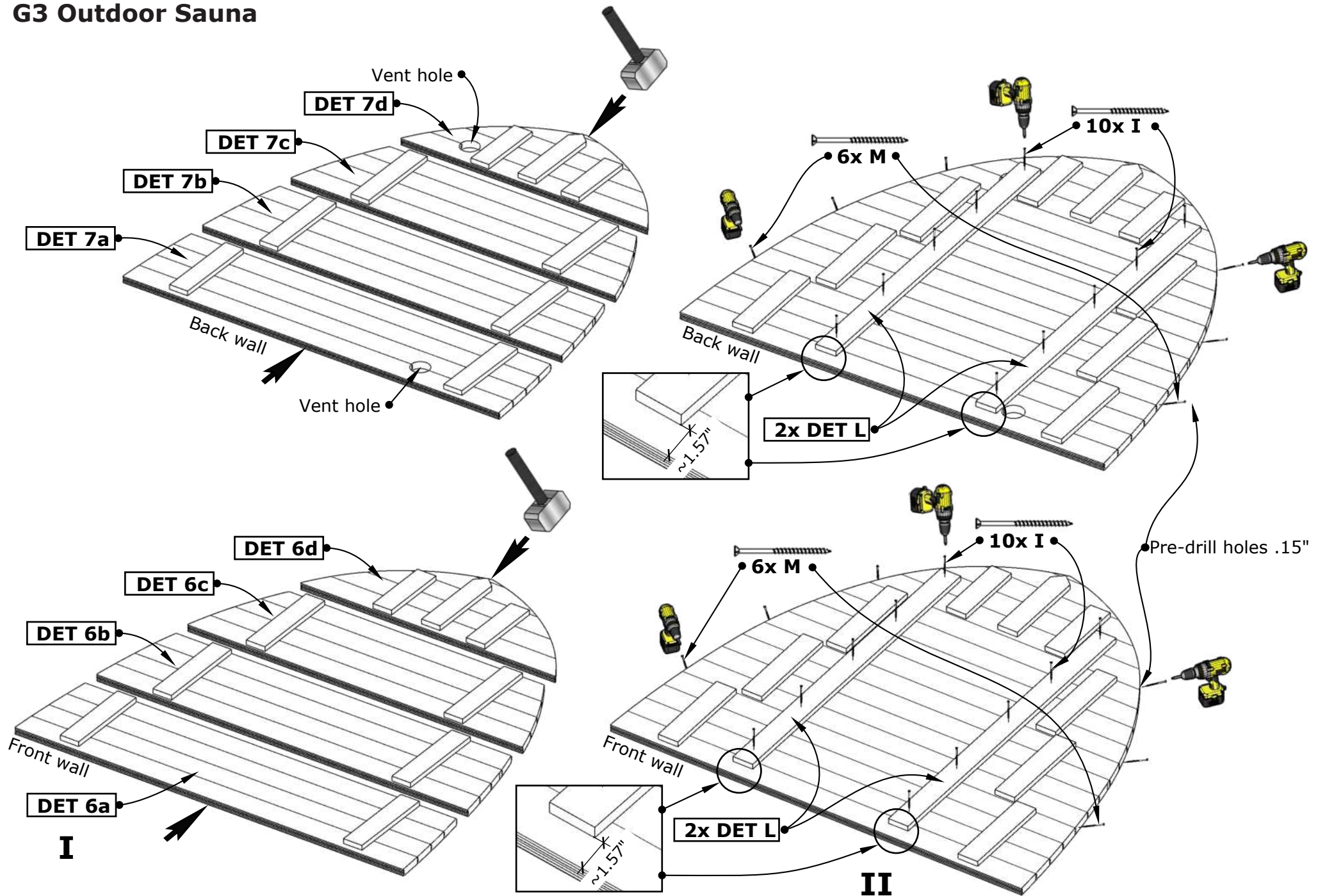
I



II

2.

G3 Outdoor Sauna



3.

G3 Outdoor Sauna



Use water level!

1x DET 5a
1x DET 5b

Fix temporarily to support walls.

4x H

Brackets inside

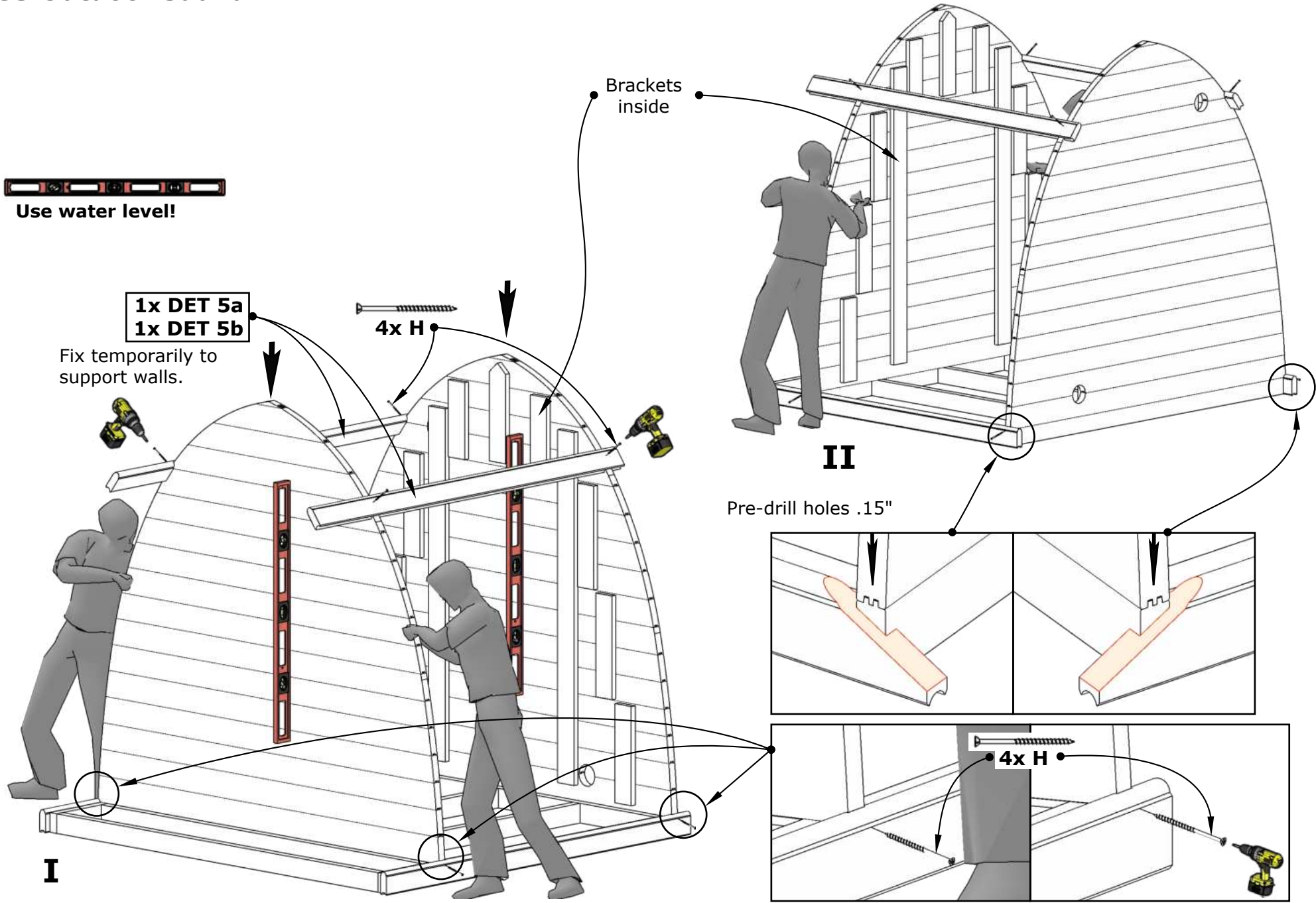
II

Pre-drill holes .15"

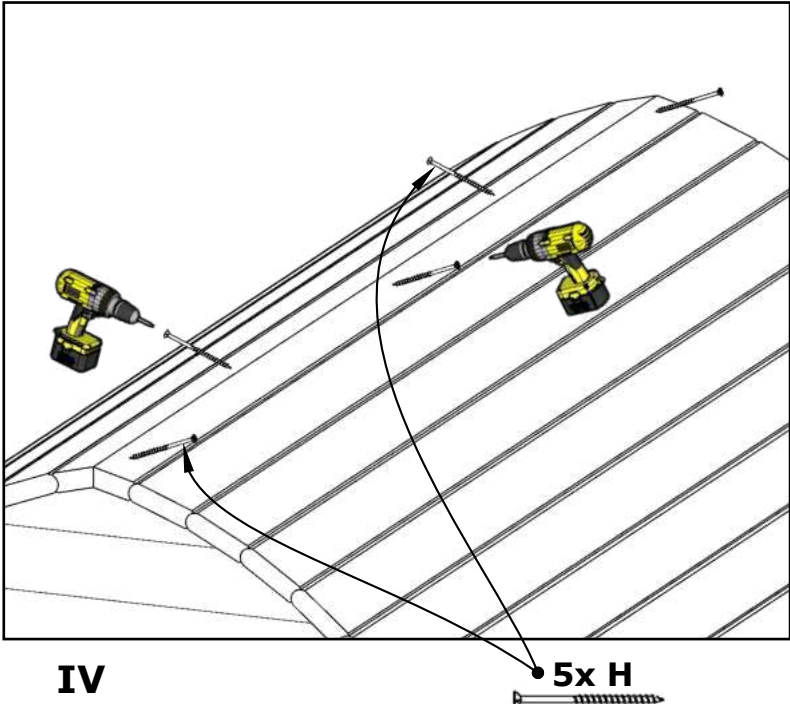
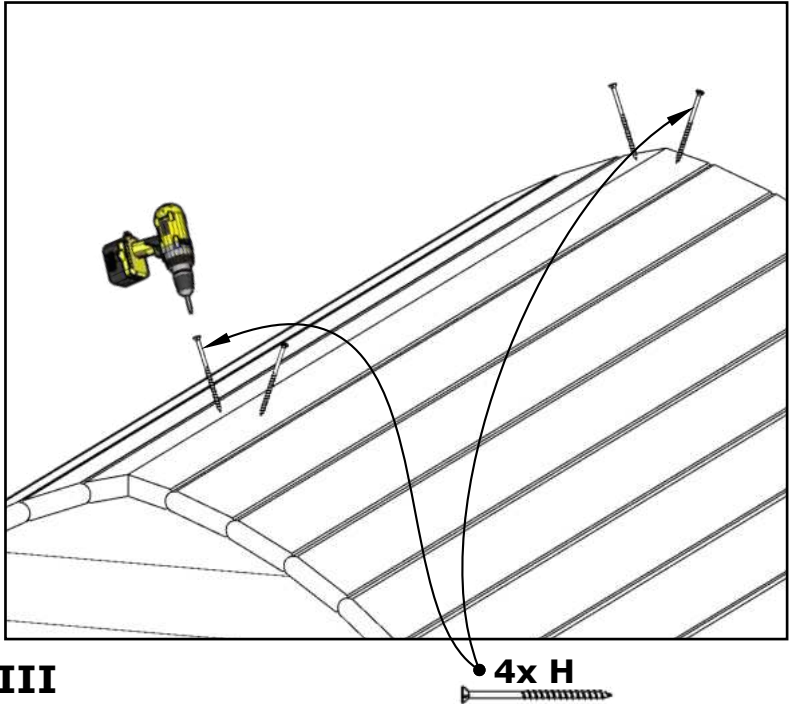
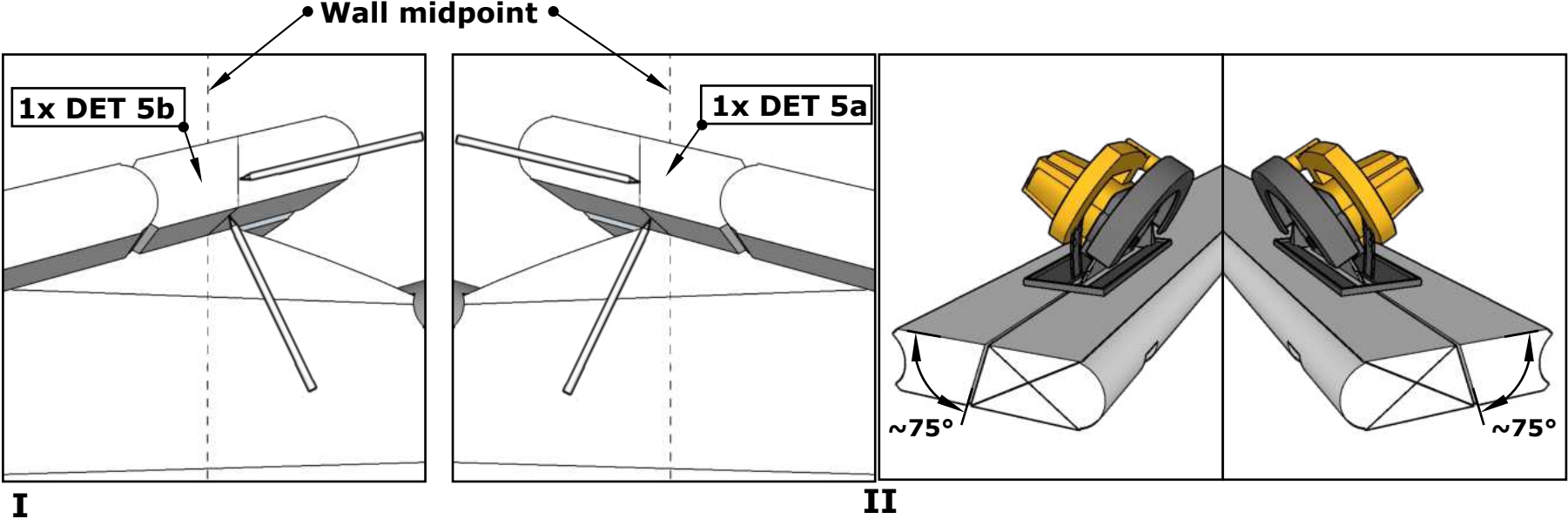
4x H

I

4.

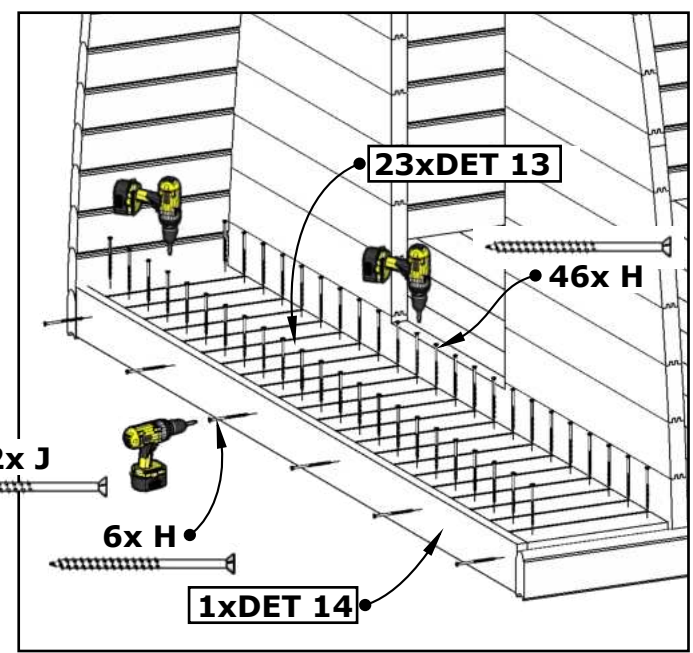
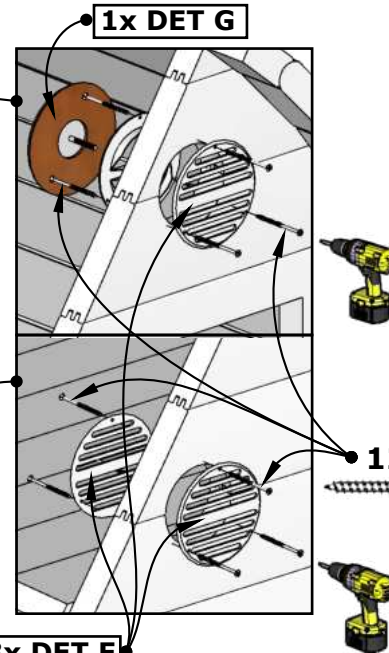
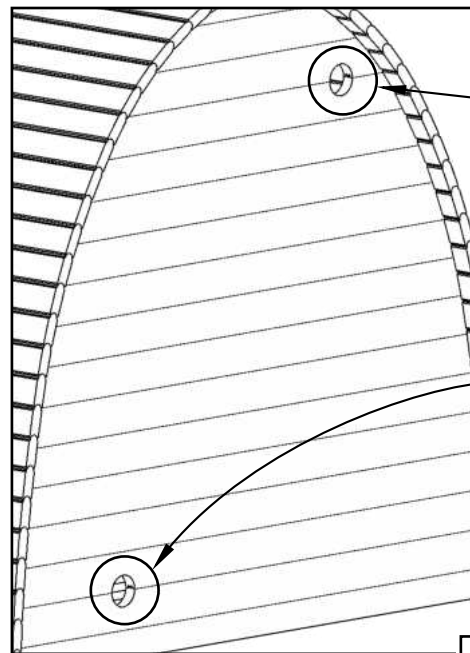
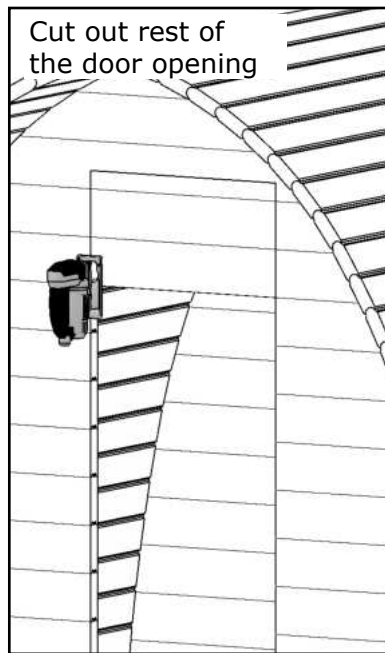
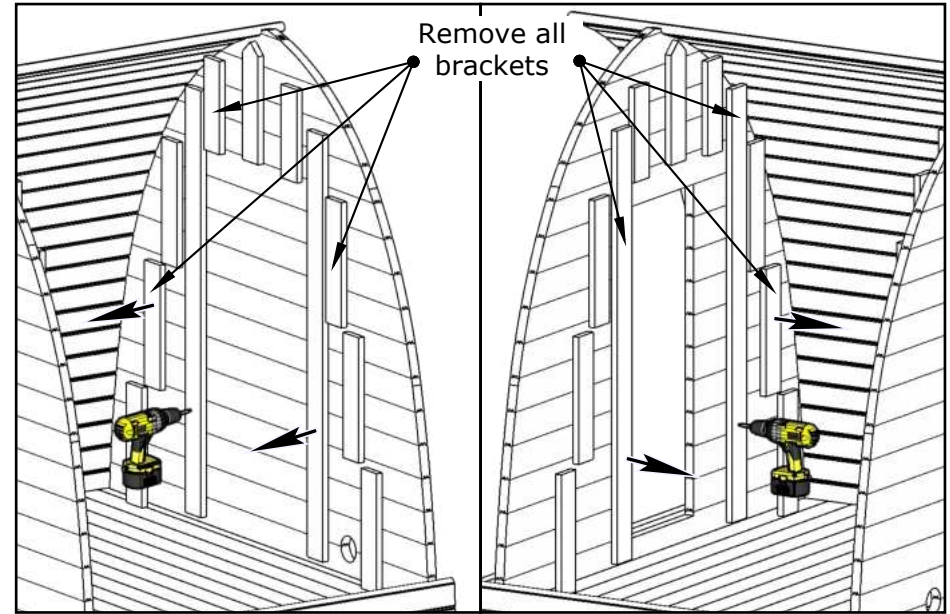
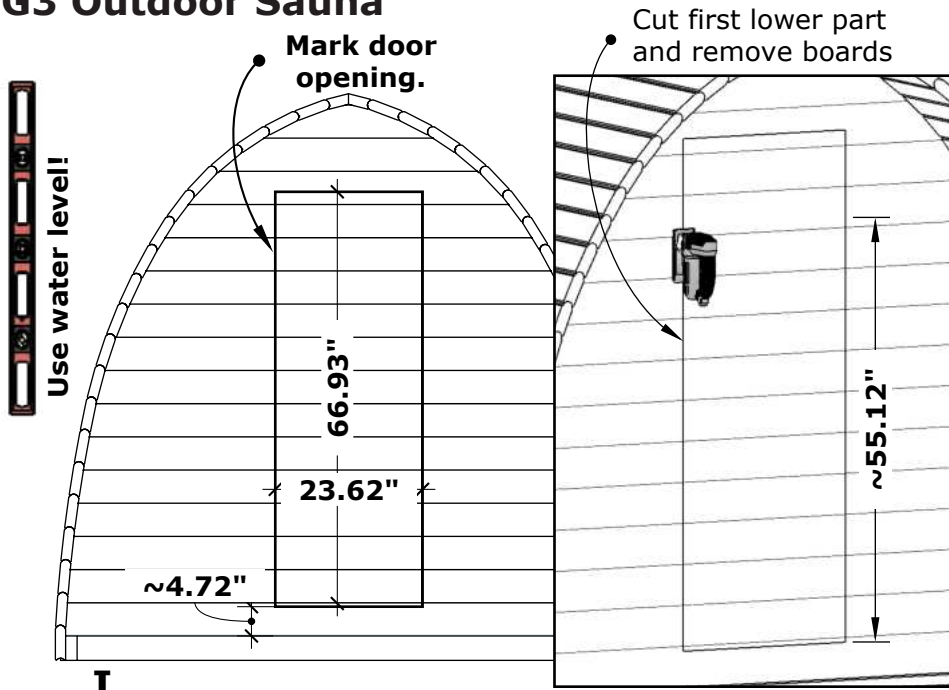


G3 Outdoor Sauna



6.

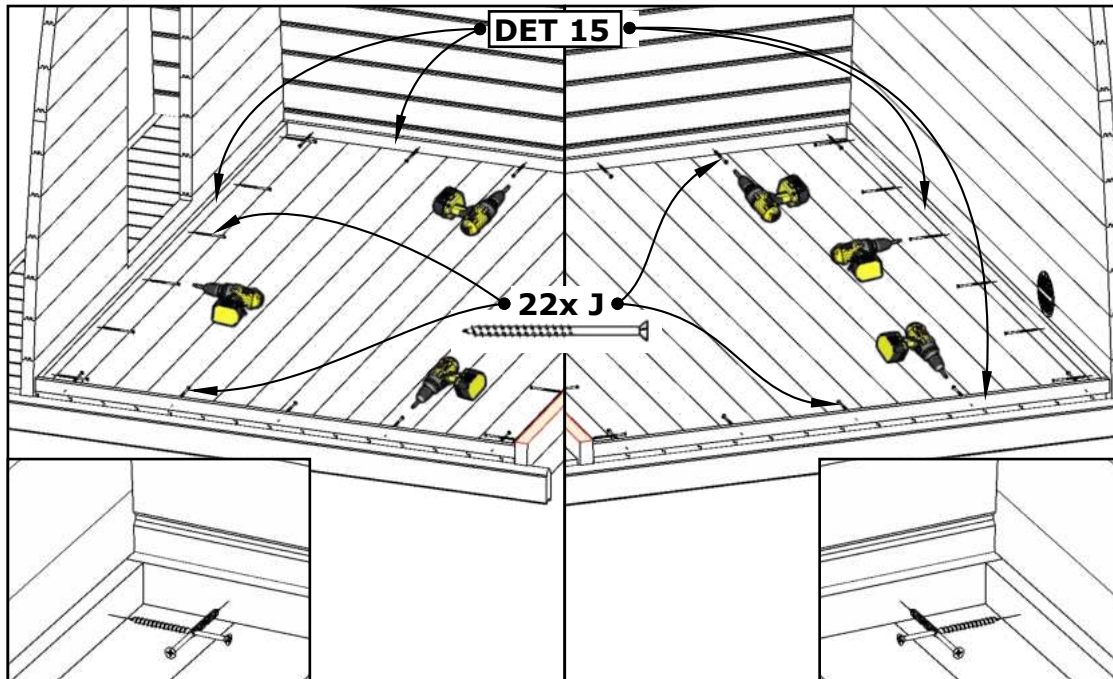
G3 Outdoor Sauna



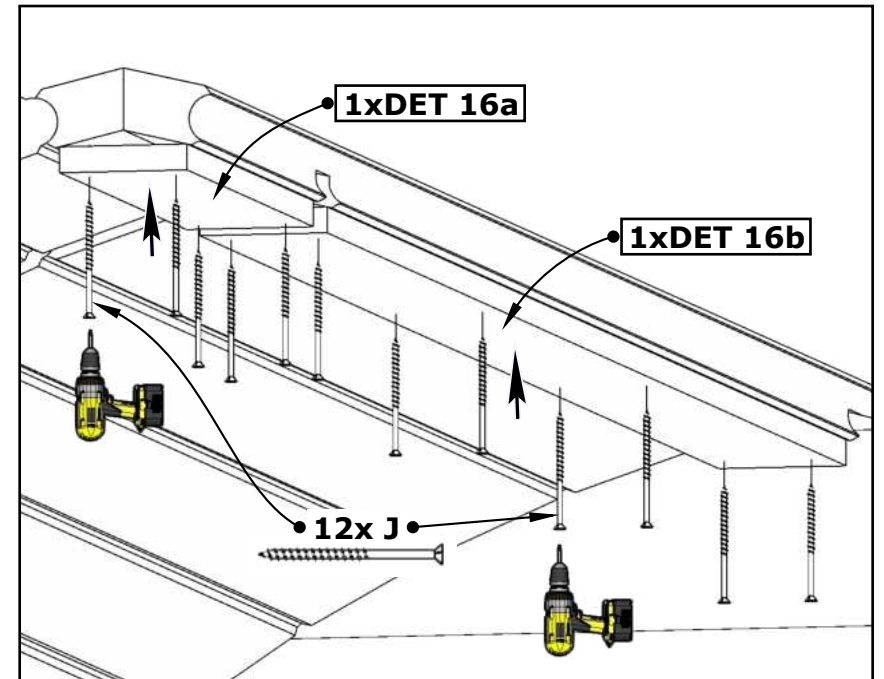
7.

G3 Outdoor Sauna

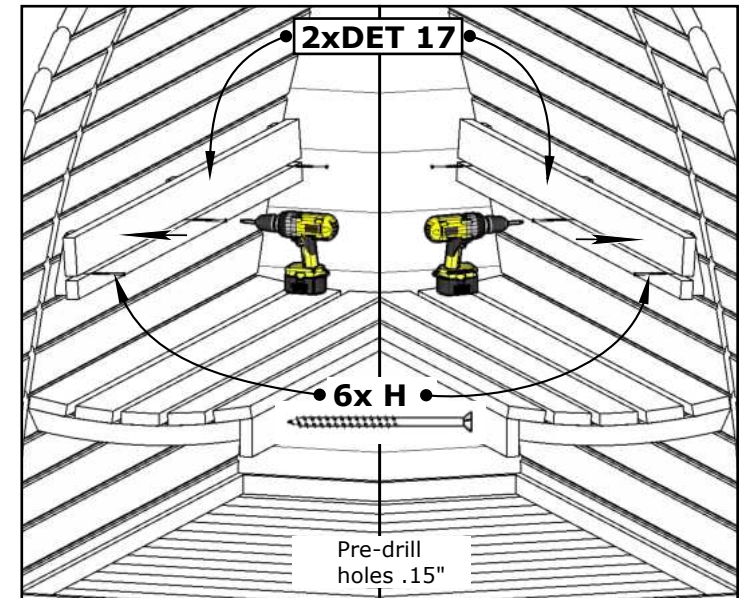
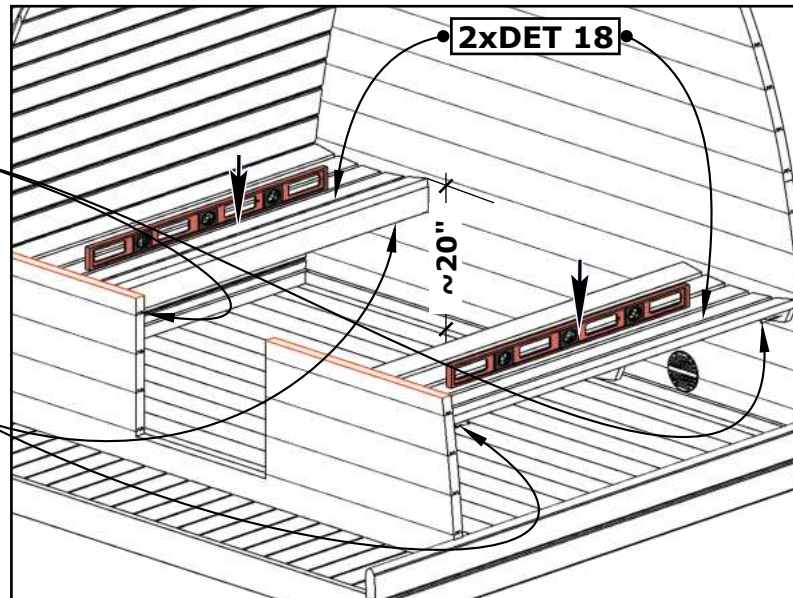
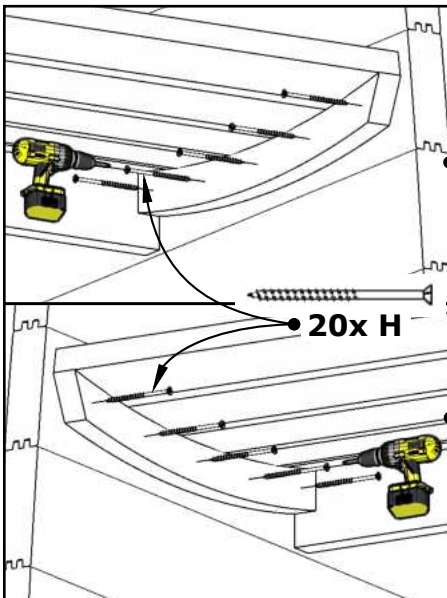
Cut floor slats from DET 15



I



II

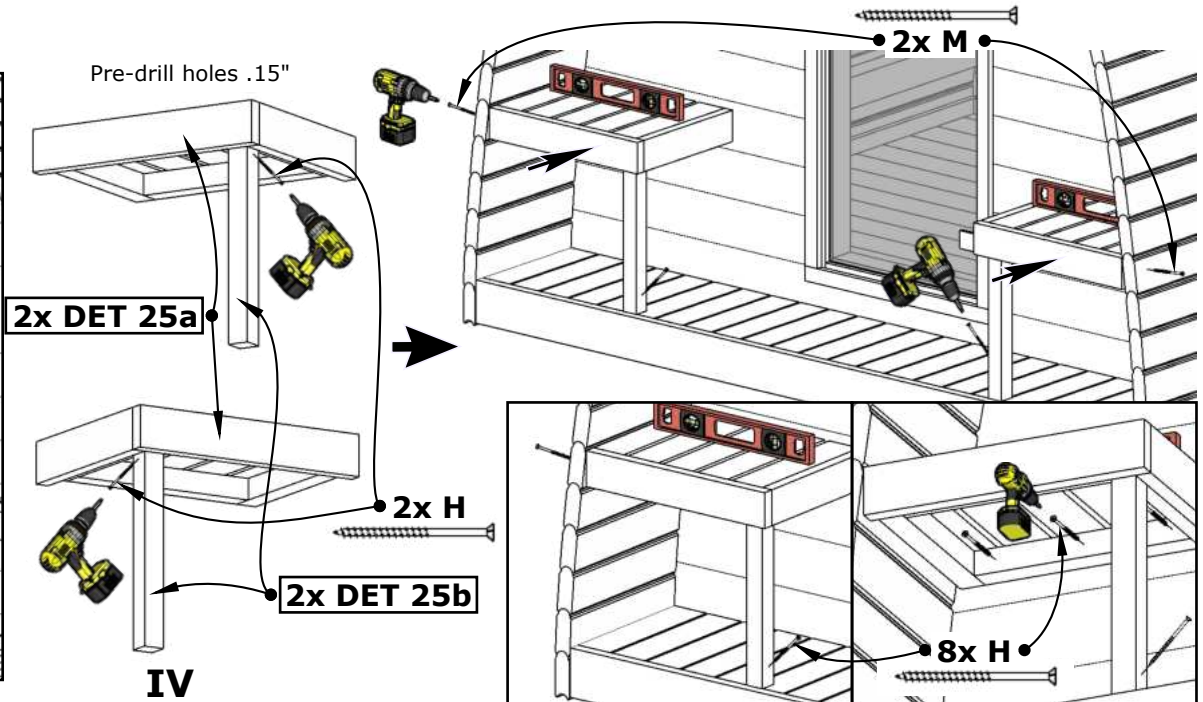
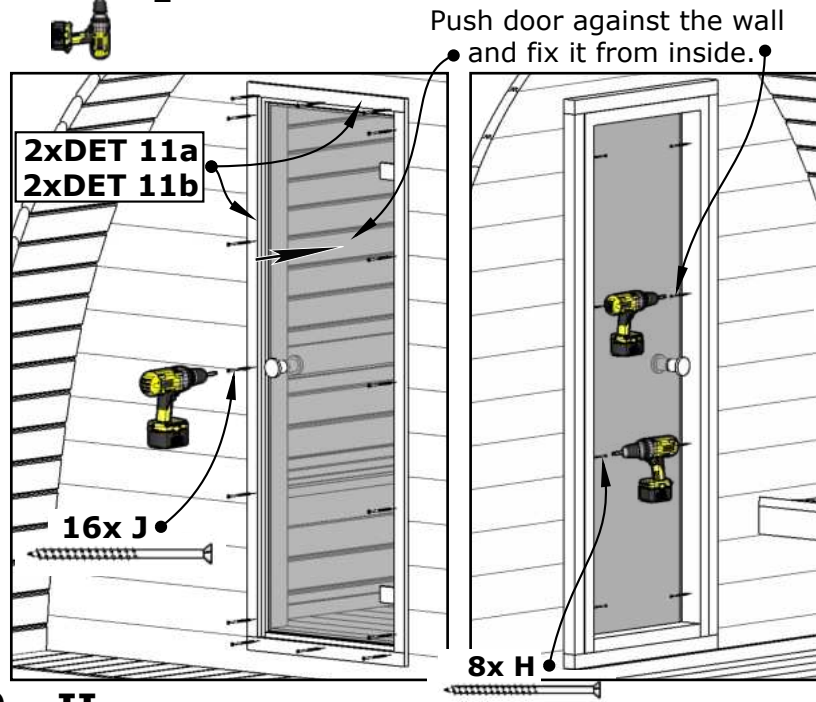
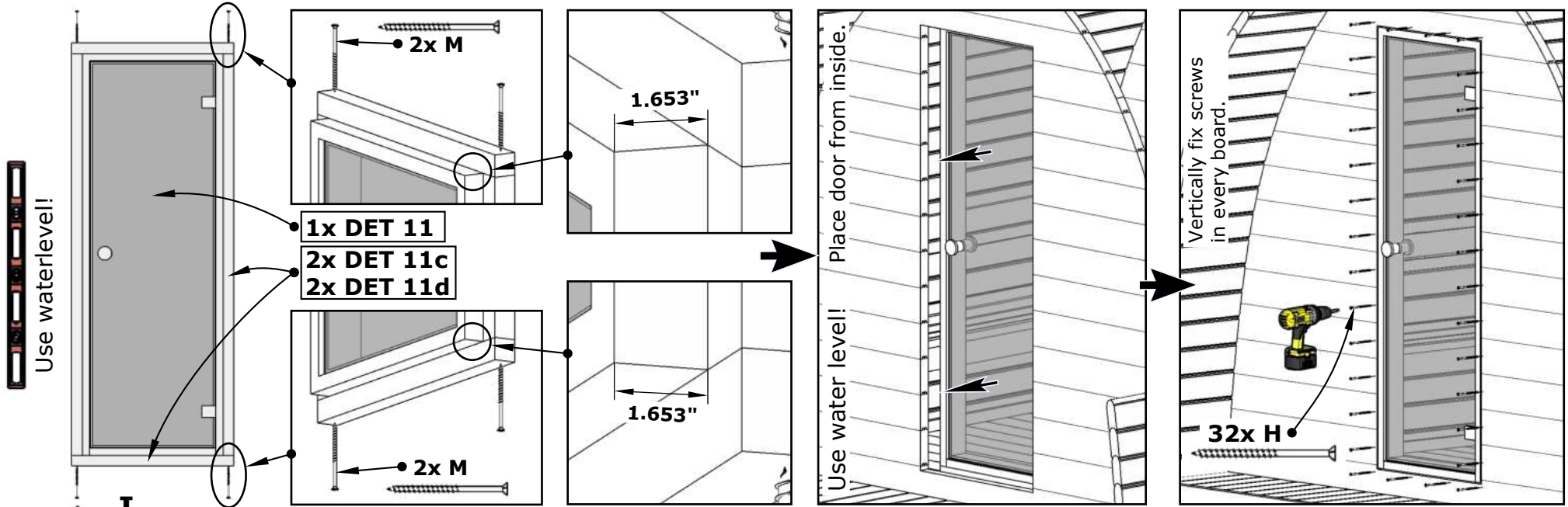


8.

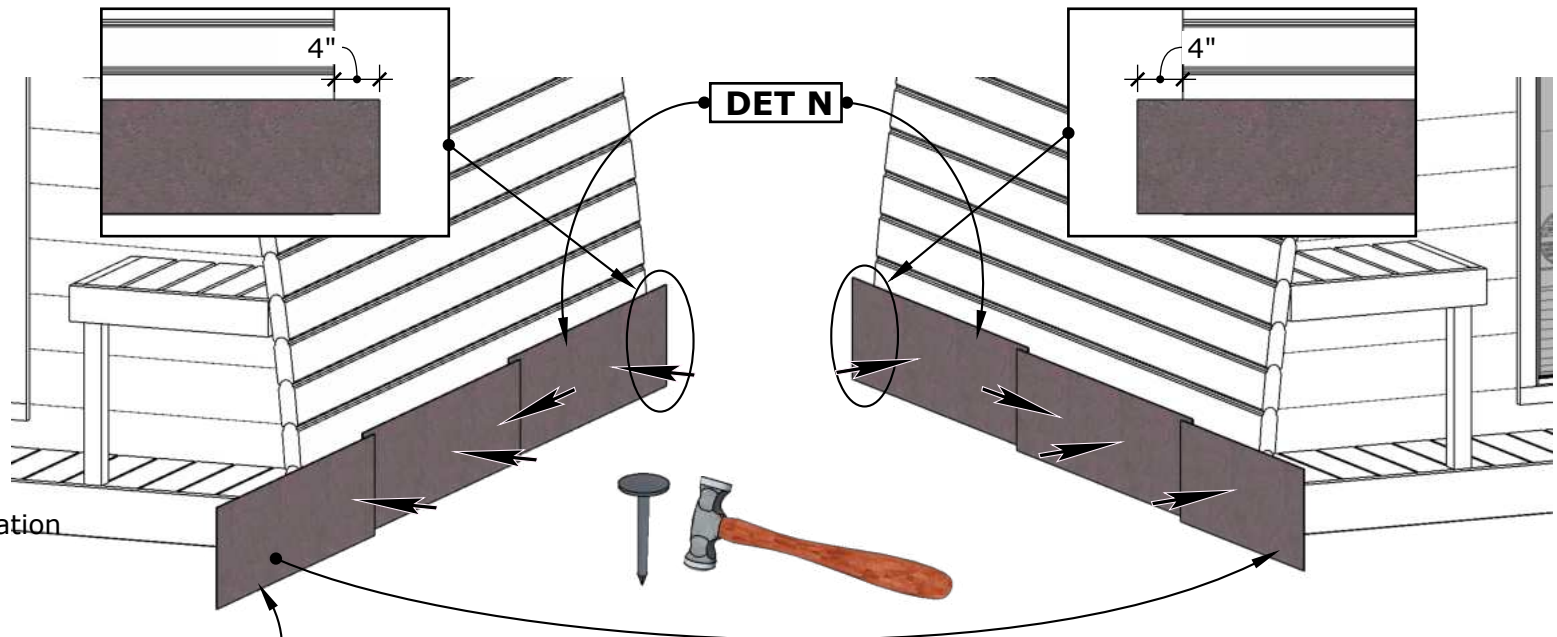
III

IV

G3 Outdoor Sauna



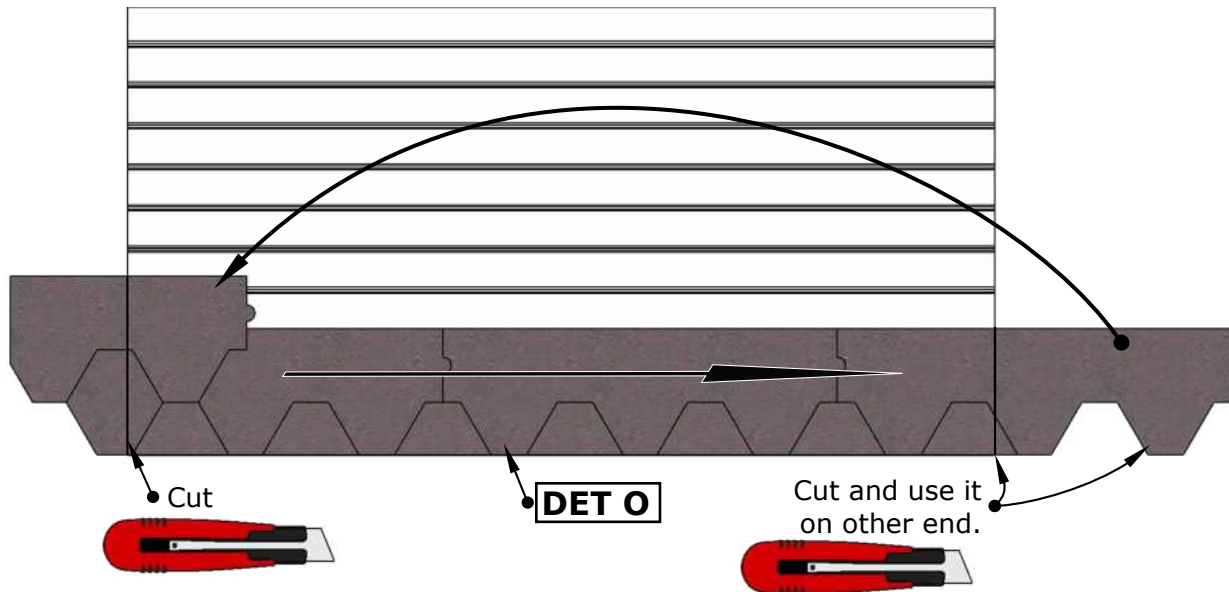
G3 Outdoor Sauna



Check roof shingles installation manual inside package.

Cut and use it on other side

I

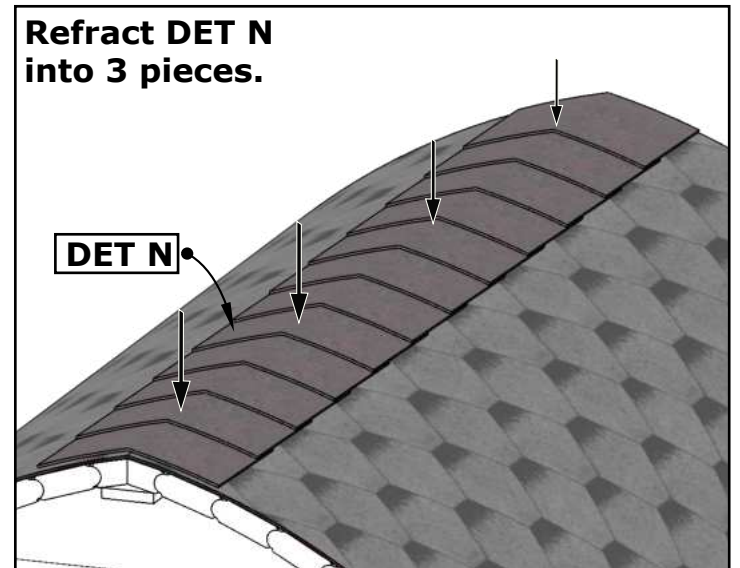


Cut

DET O

Cut and use it on other end.

Refract DET N into 3 pieces.



DET N

III

G3 Outdoor Sauna

