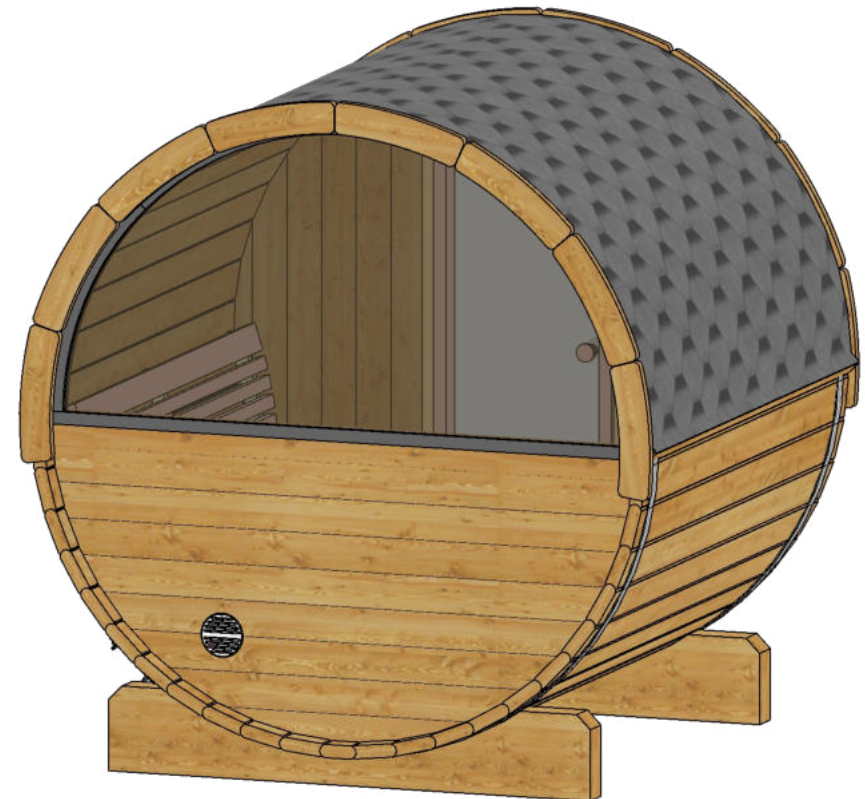




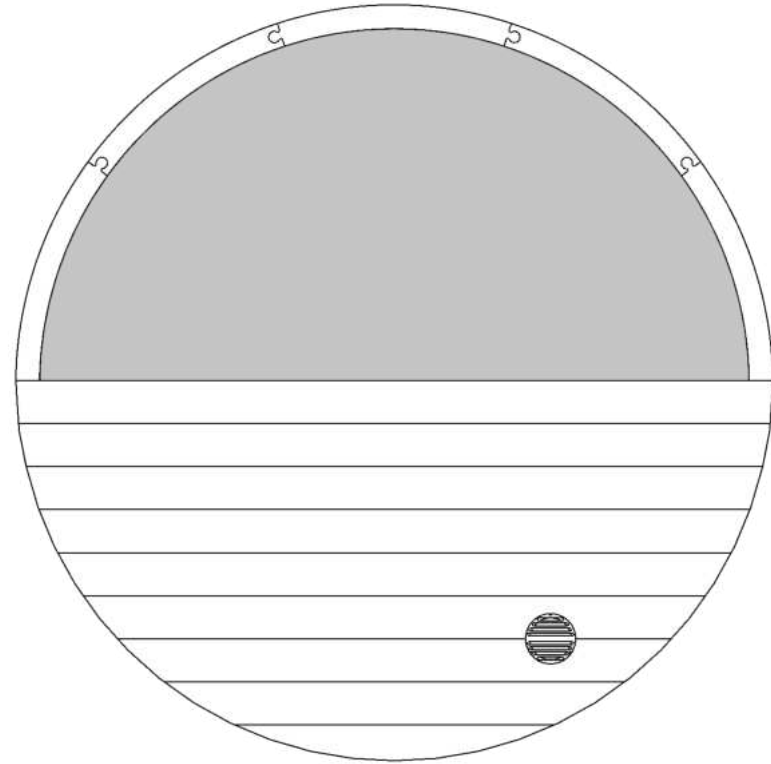
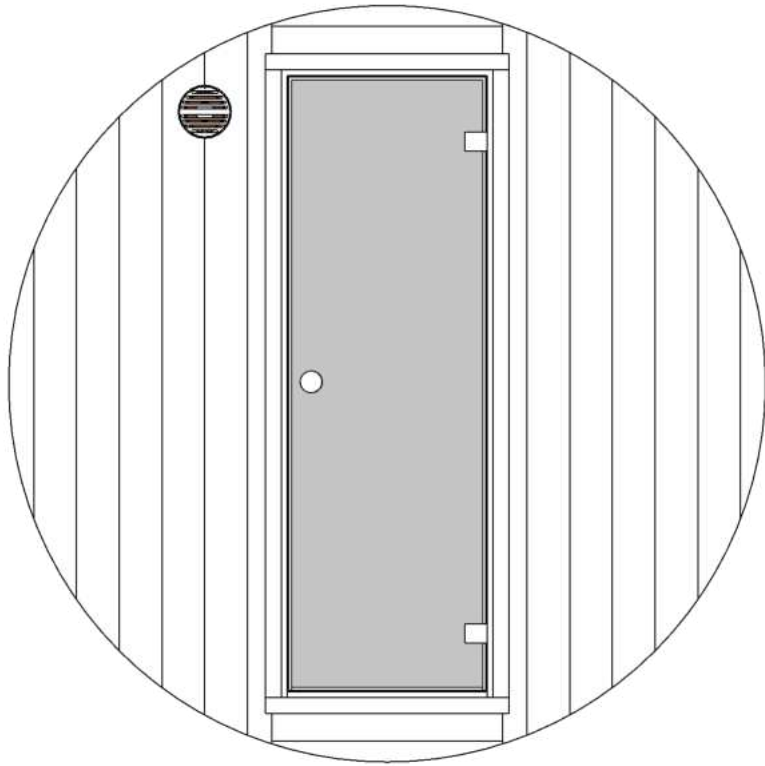
Ergo-Series E8W Barrel Sauna  
Half Glass Window 87D" x 81H"



Note: Please read manual before construction

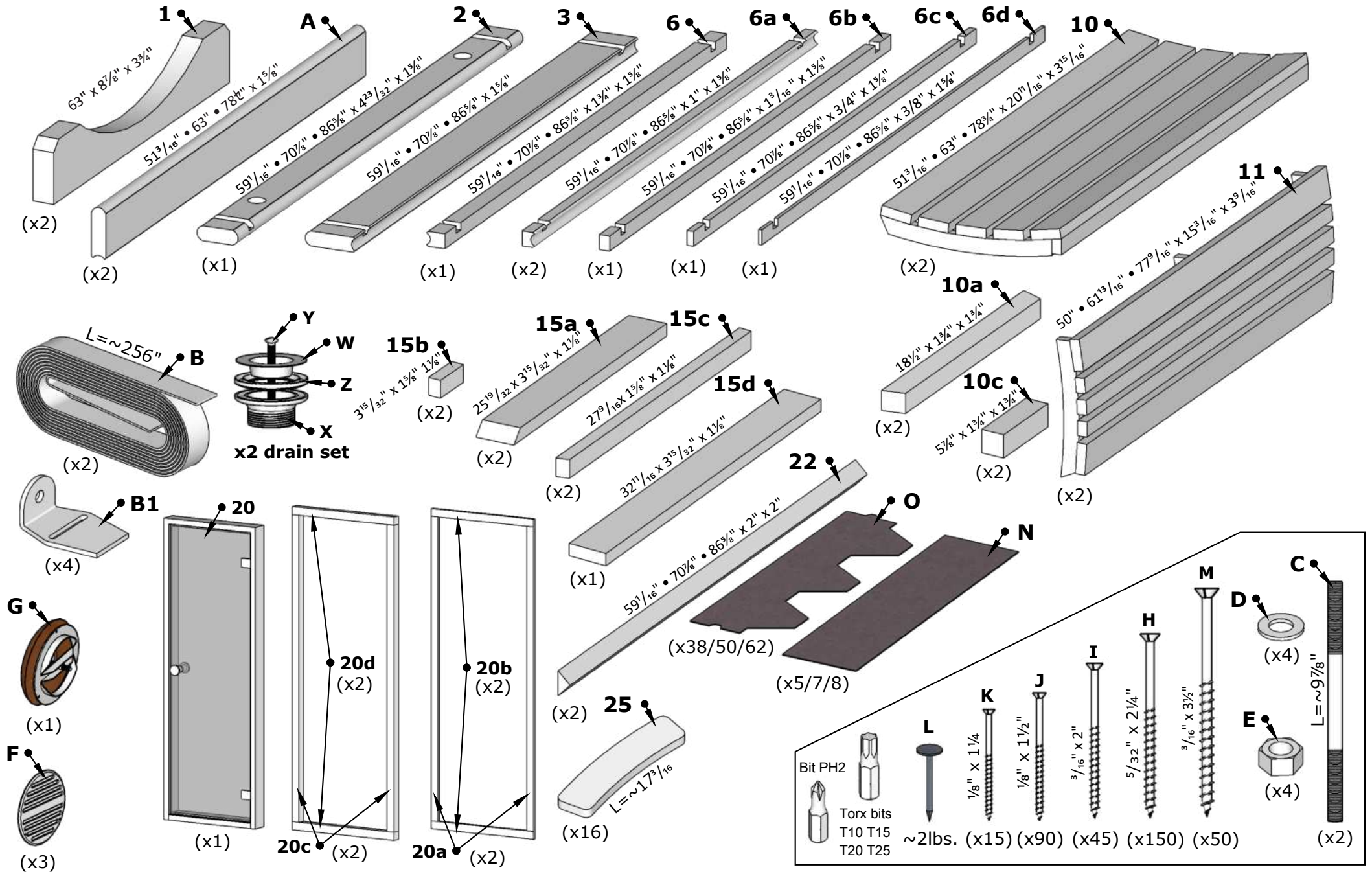
Rev 4/2023

# Front & Back Walls



# E8W Barrel Sauna 87D" x 81H"

## Details list.

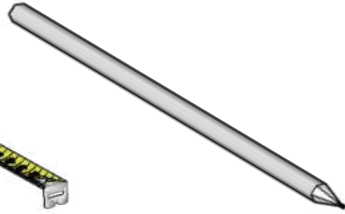




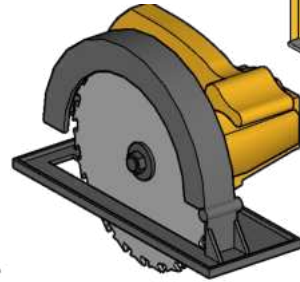
# Tools needed



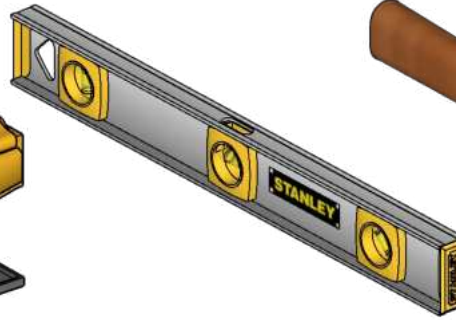
Measuring tape



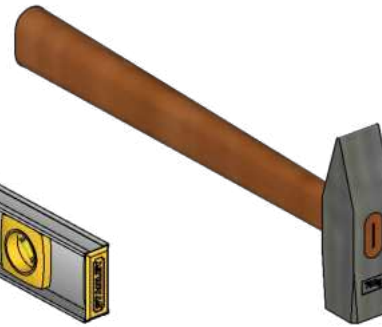
Marker pen



Circular saw



Water level



Hammer



Extra hands



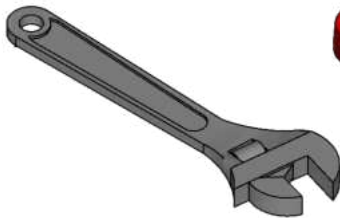
Ratchet strap



Silicone gun  
(Only glass-wall models)



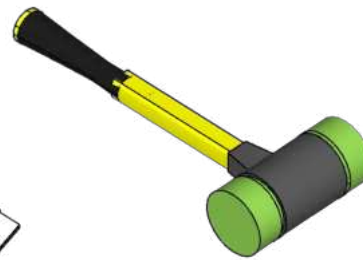
Drill



Crescent wrench

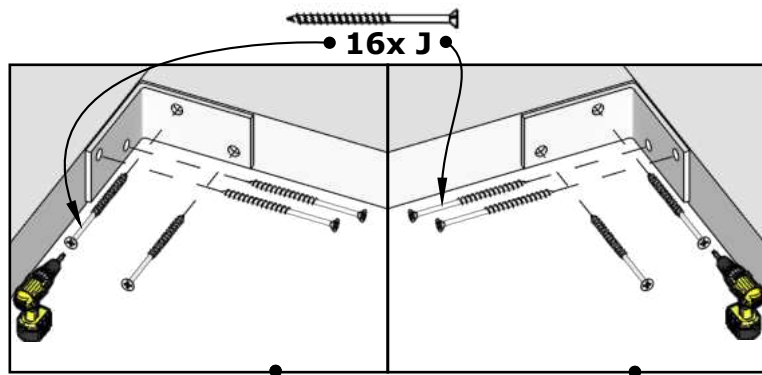
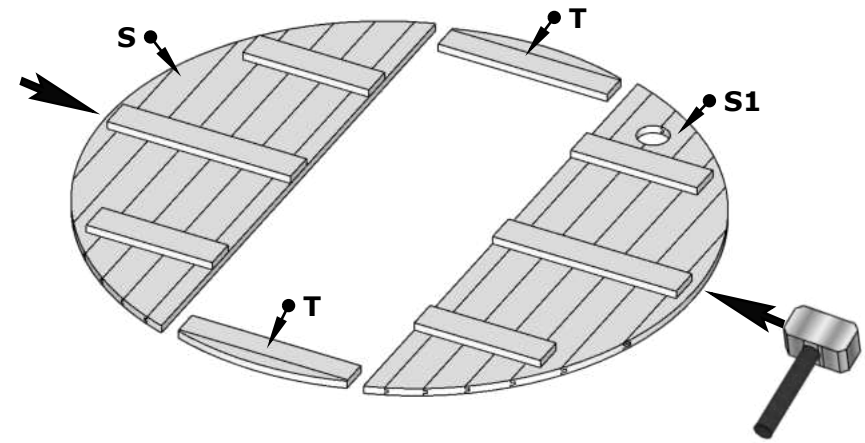
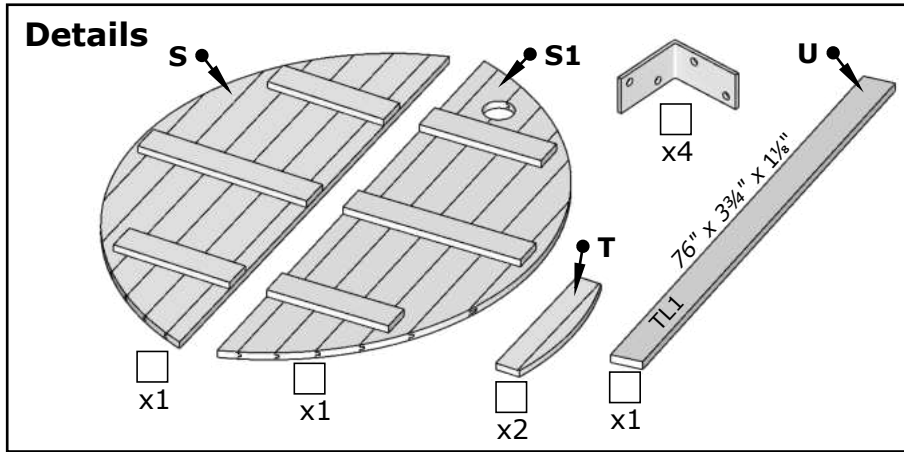


Utility knife

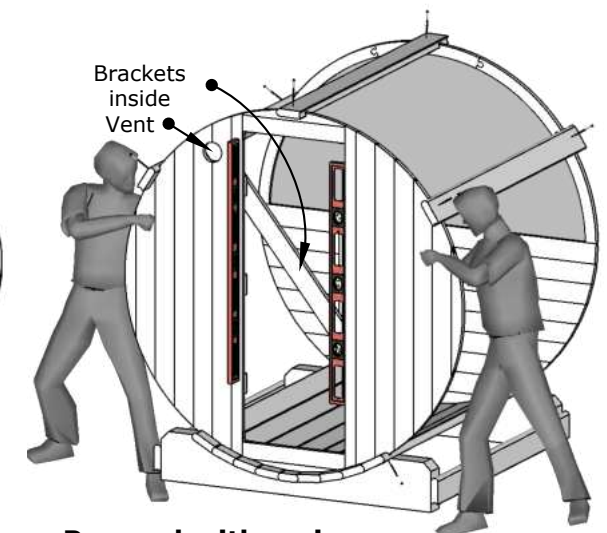
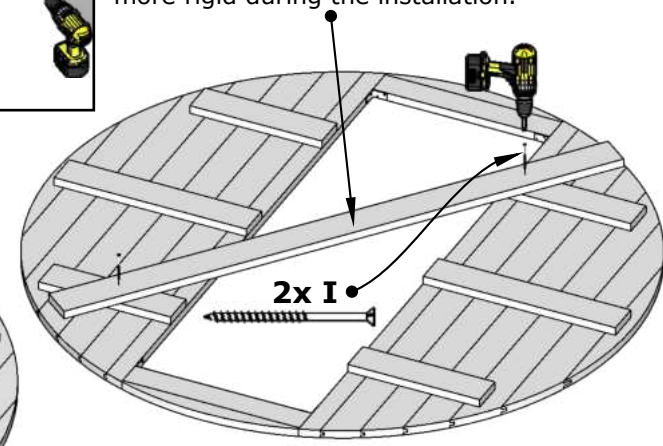


Rubber mallet

# Wooden front wall installation



**DET U** Fix it diagonally to make wall more rigid during the installation.

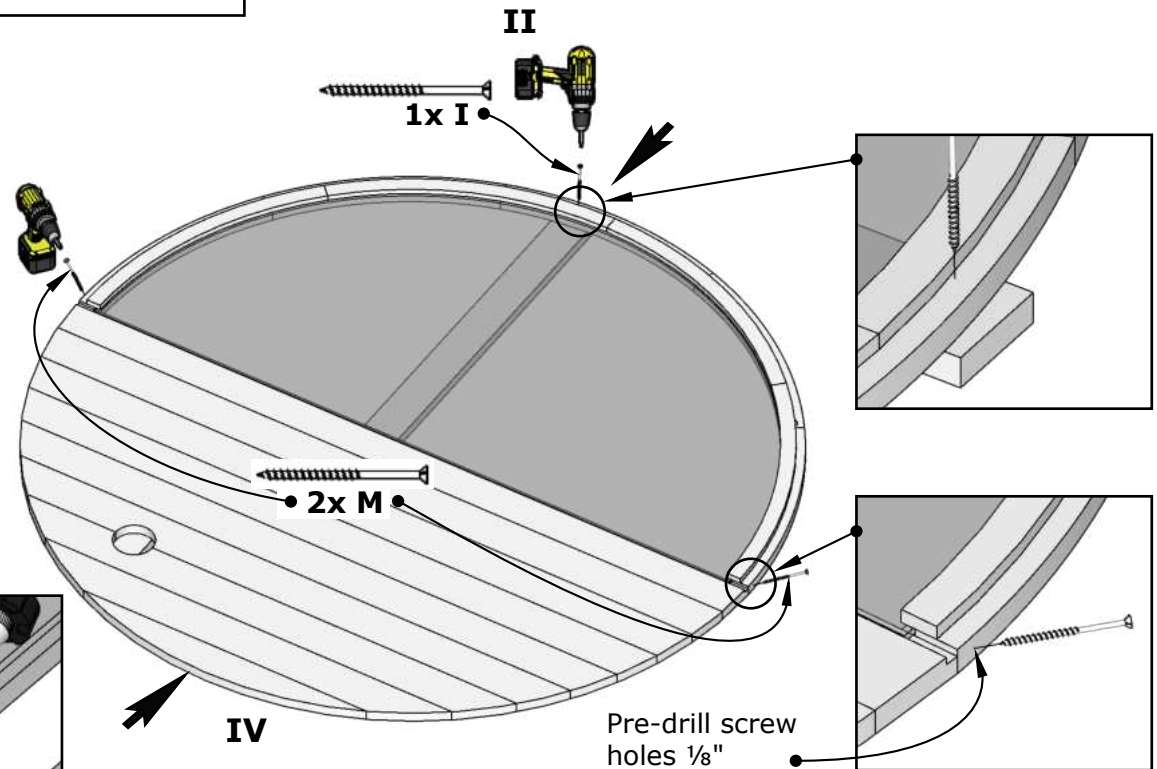
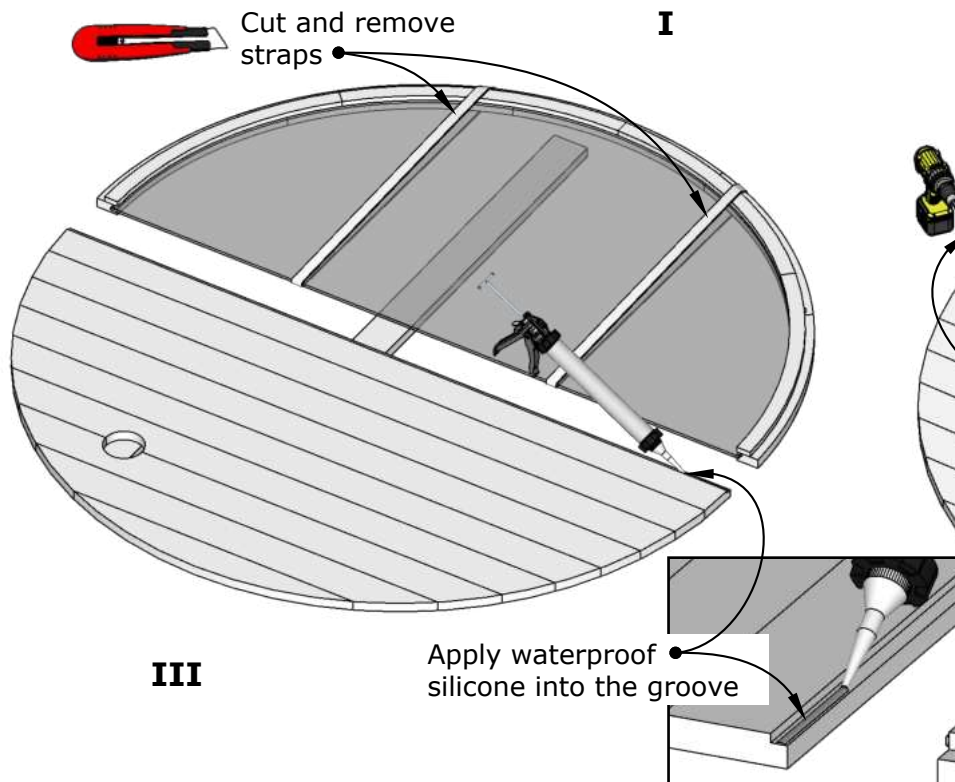
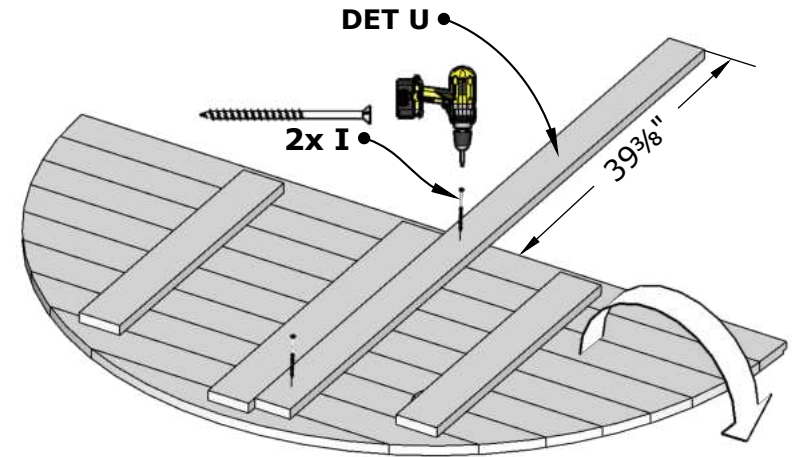
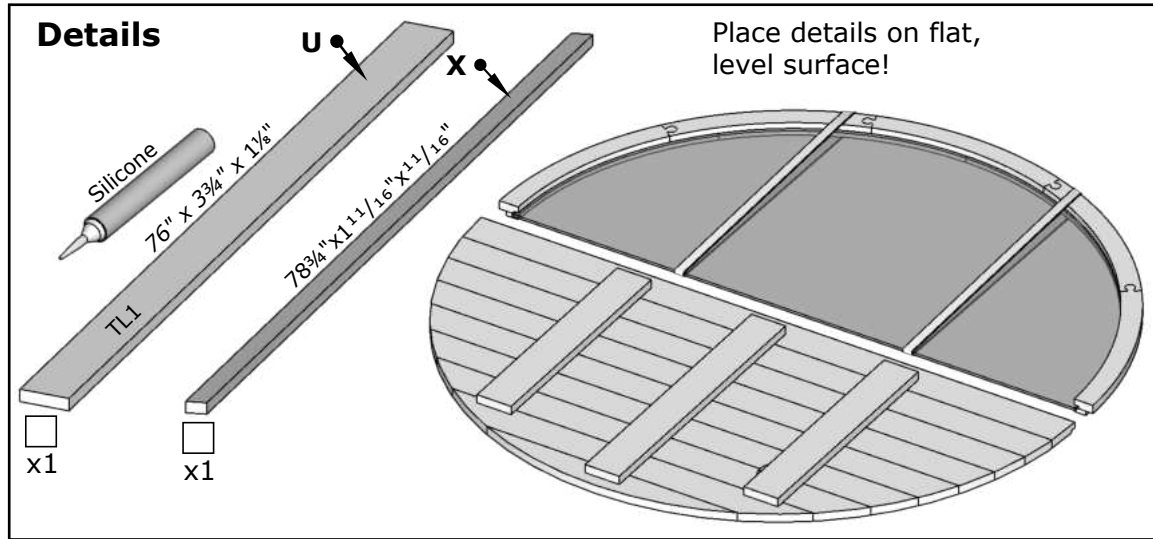


**II**

**III**

**Proceed with main installation manual!**

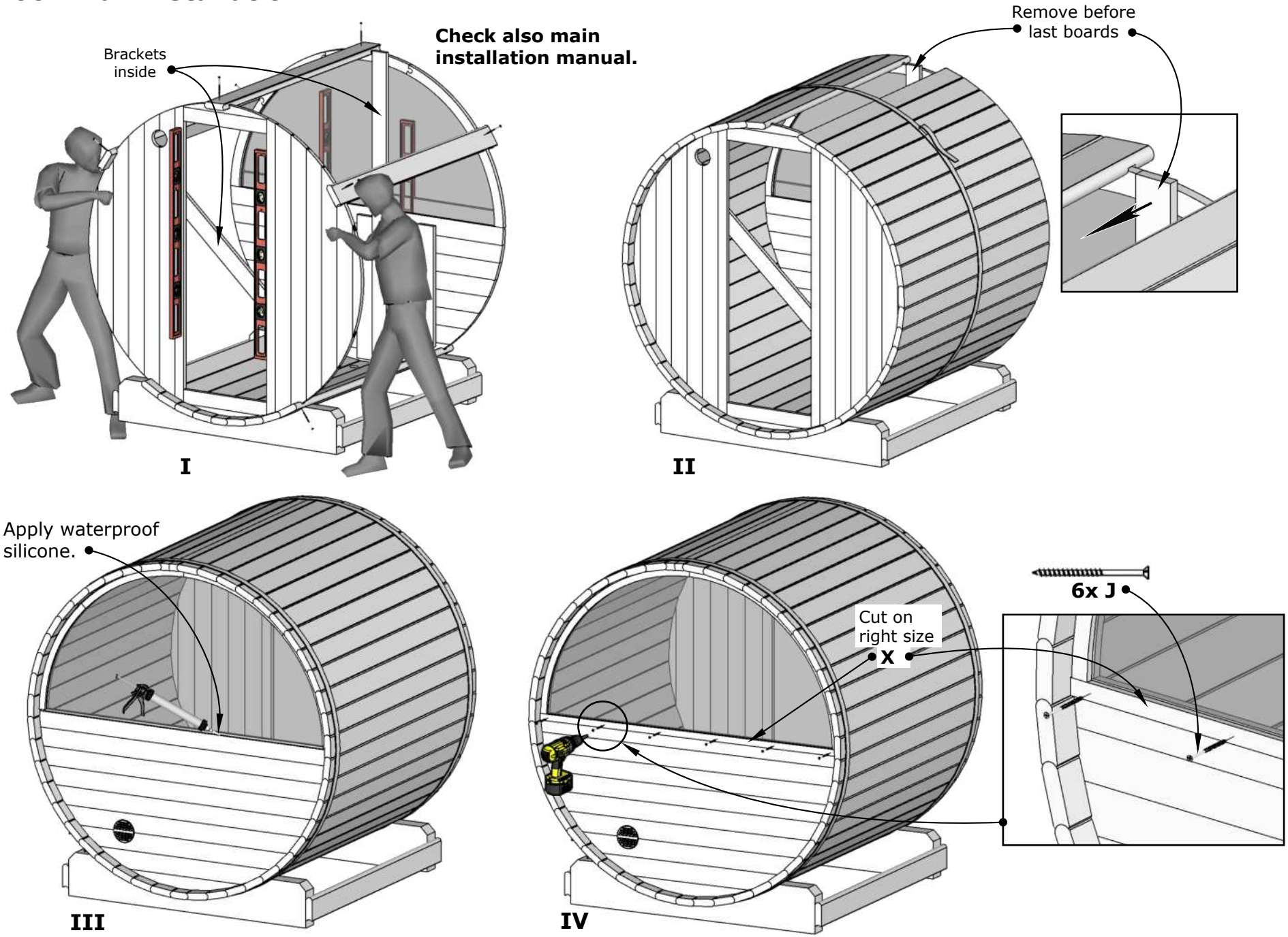
# Half-moon wall installation



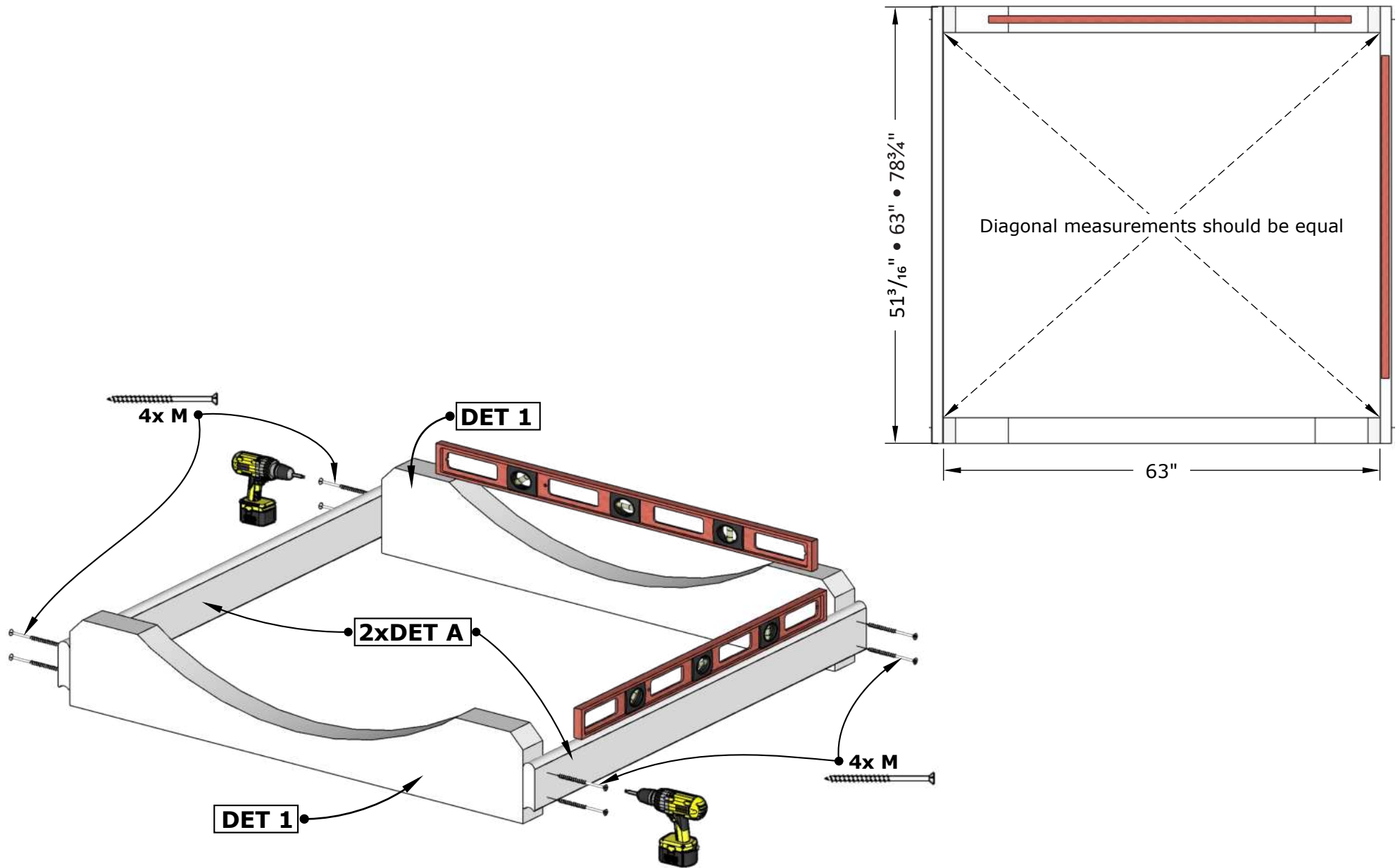
**WARNING:** Do not let screws touch glass!



# Half-moon wall installation



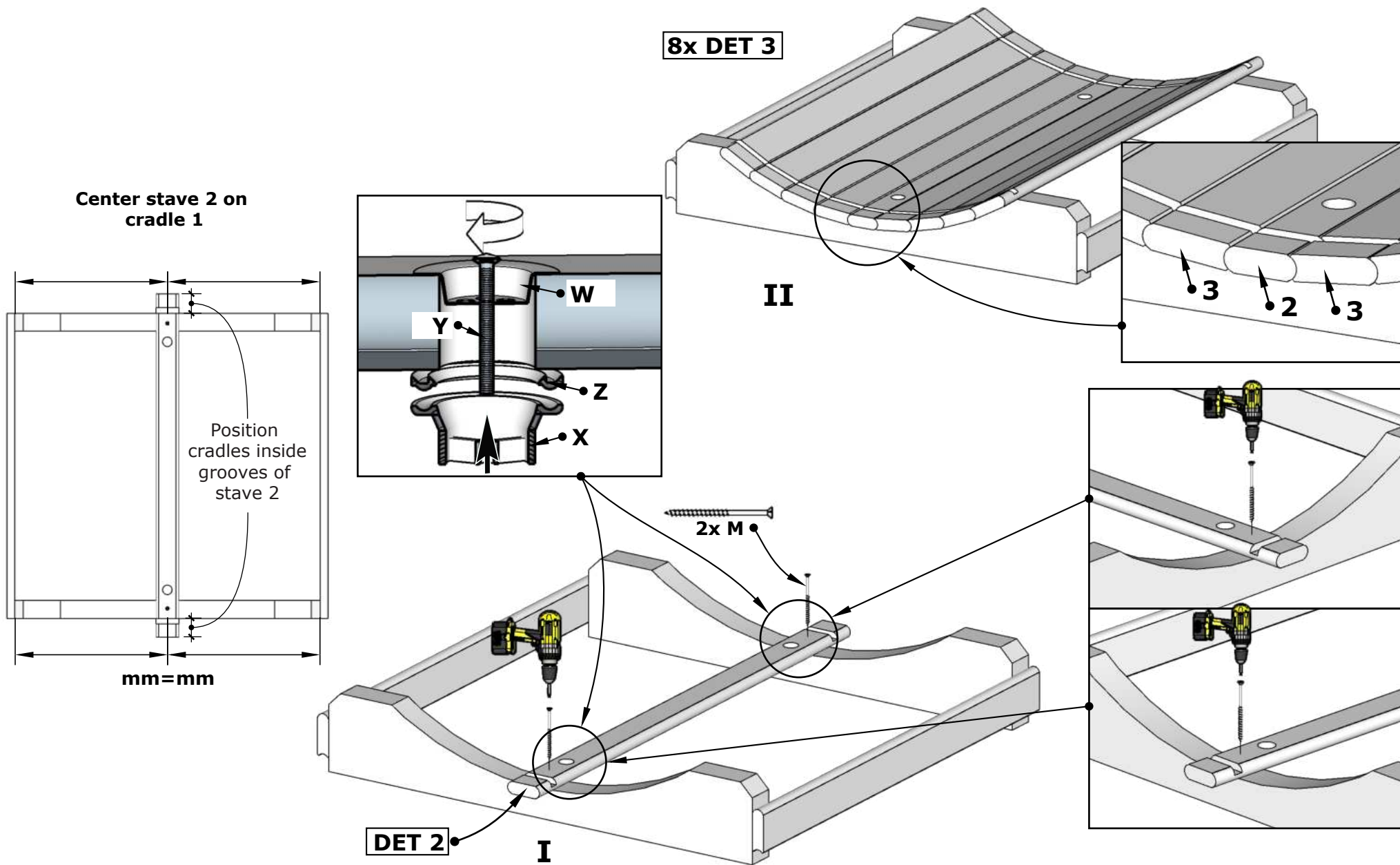
# E8W Barrel Sauna 87D" x 81H"



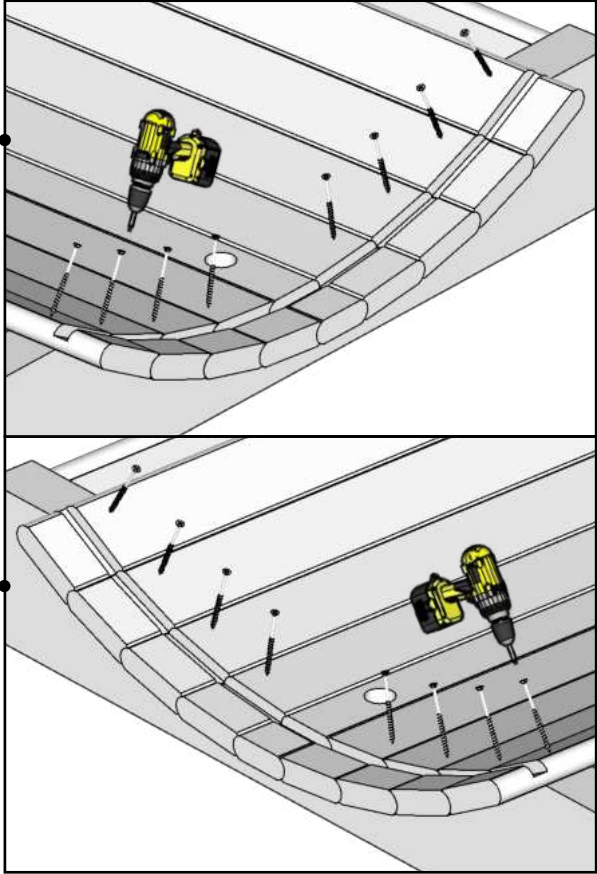
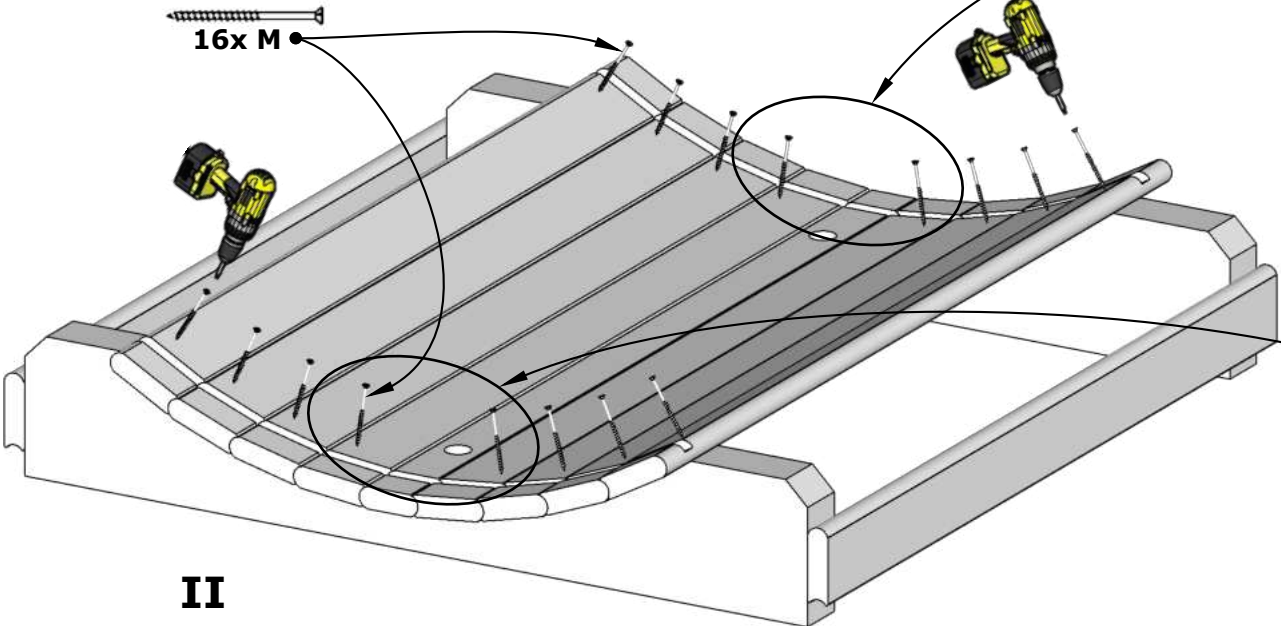
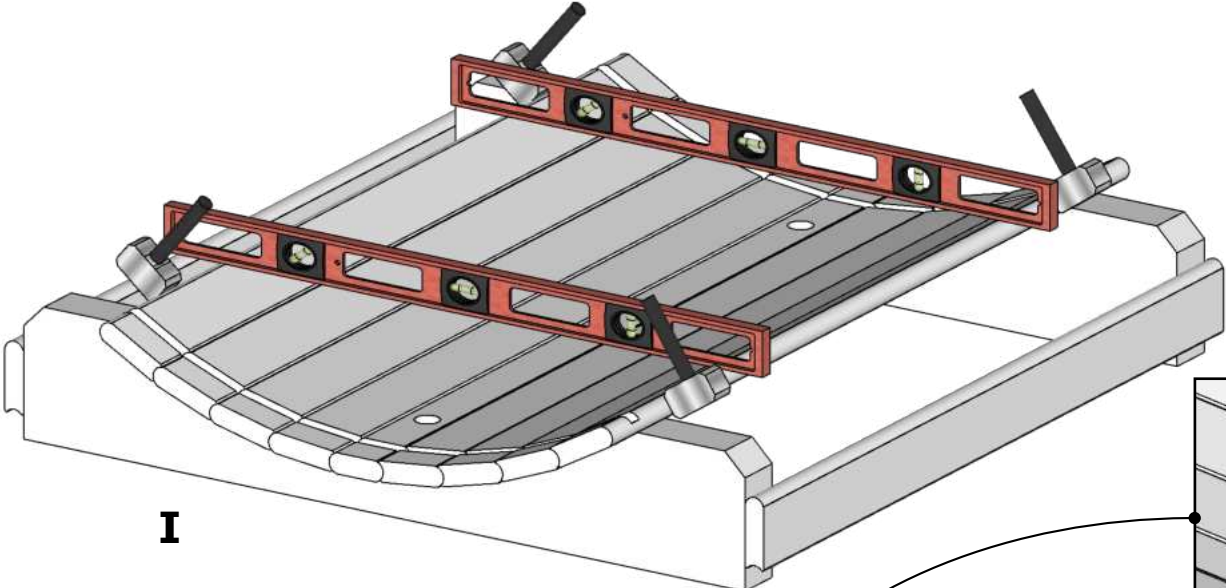
1.



# E8W Barrel Sauna 87D" x 81H"

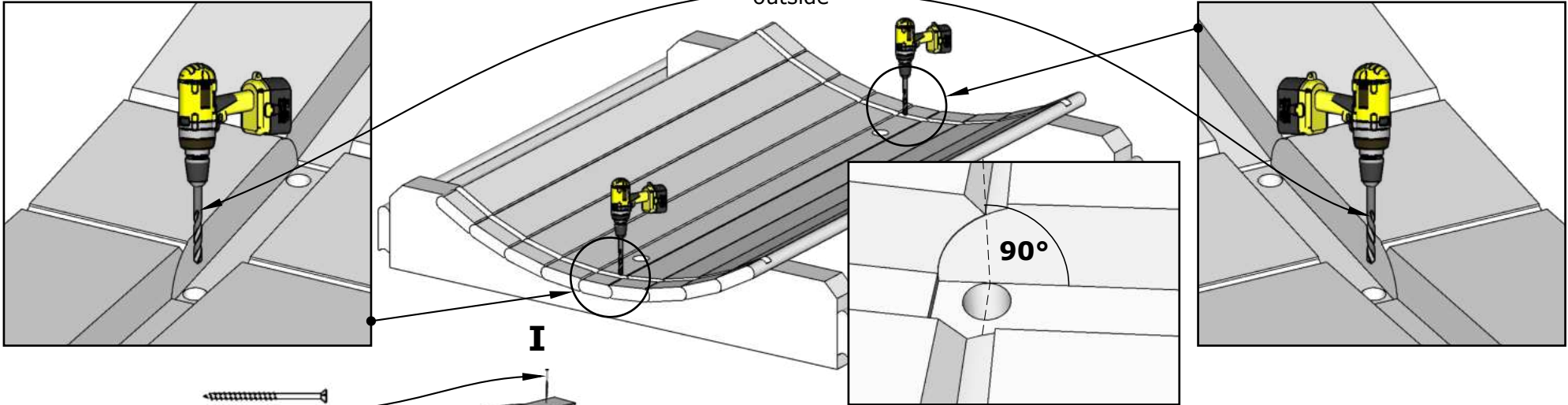


# E8W Barrel Sauna 87D" x 81H"

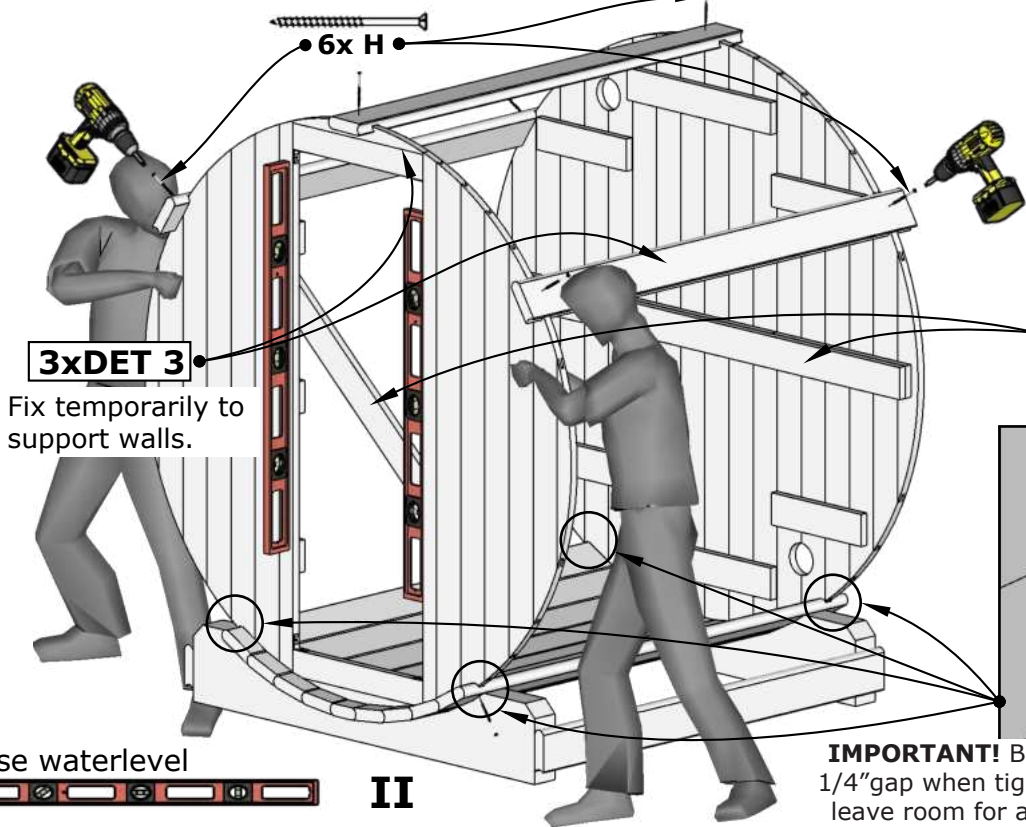


# E8W Barrel Sauna 87D" x 81H"

Drill 4 holes  $\varnothing 1/2"$   
through DET 2  
outside



**I**



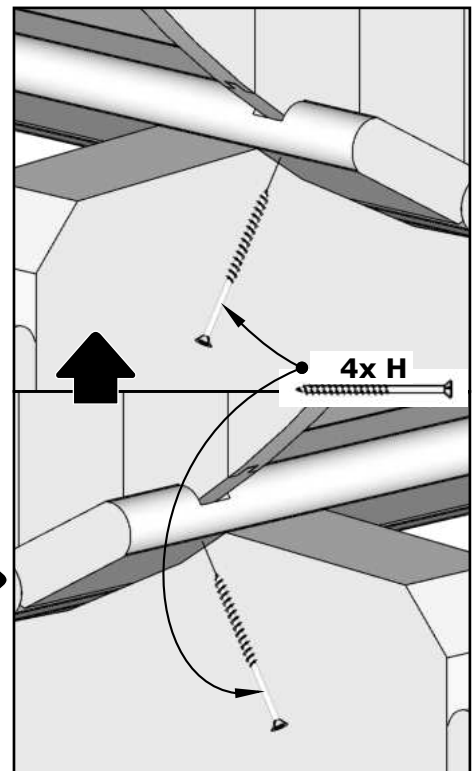
**3xDET 3**  
Fix temporarily to  
support walls.

6x H

**Check walls installation  
manual on extra pages!**

**Sauna wall configuration  
depends on Your model!**

Brackets inside



4x H

$\sim 1/4"$

**IMPORTANT!** Be sure to leave a  
 $1/4"$  gap when tightening screws to  
leave room for adjustment when  
the outer bands (B) are installed.

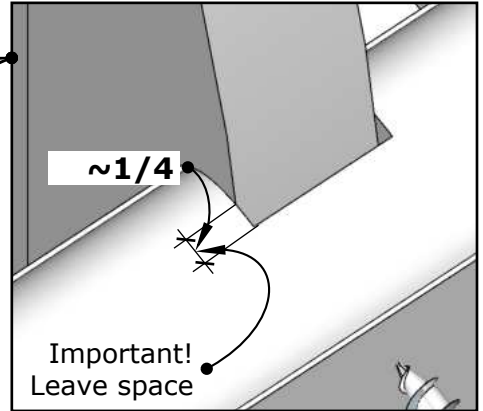
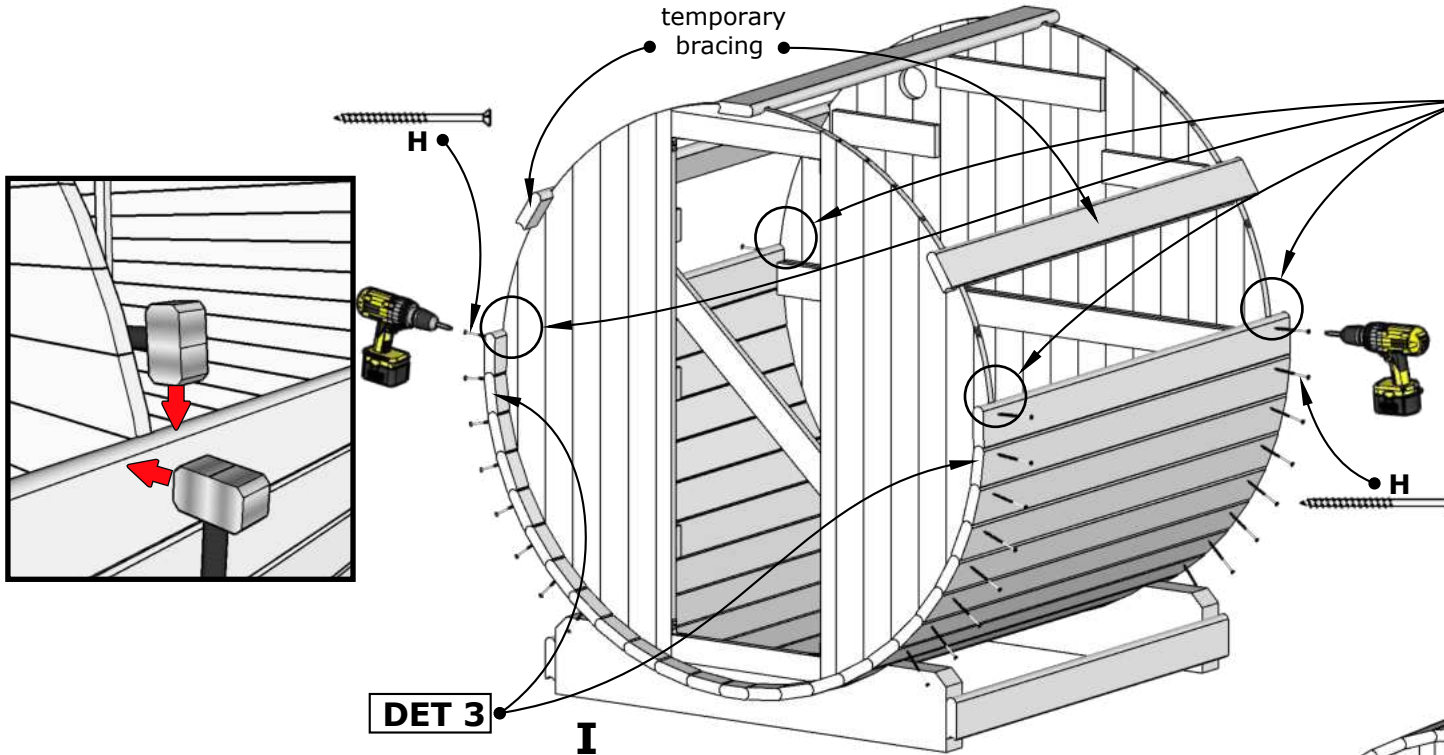


**II**

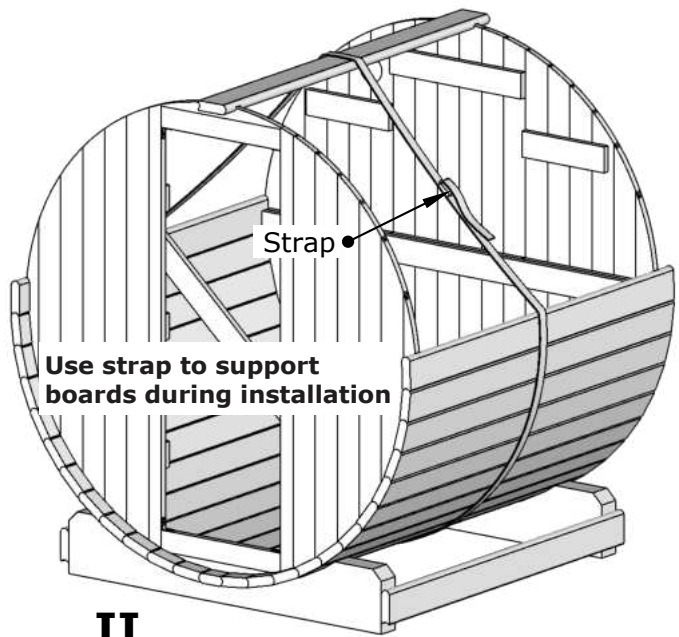


# E8W Barrel Sauna 87D" x 81H"

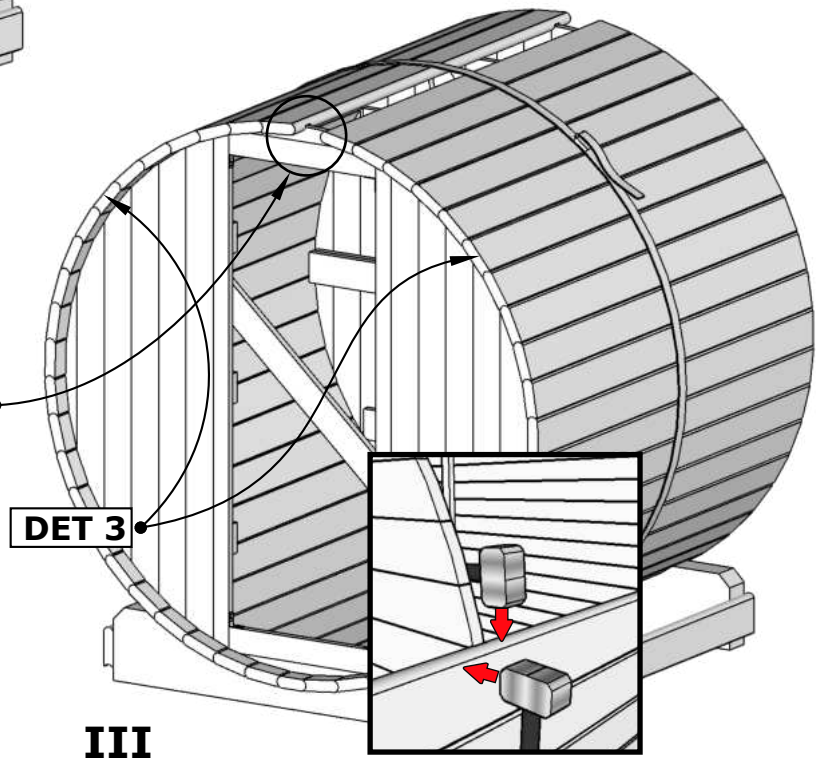
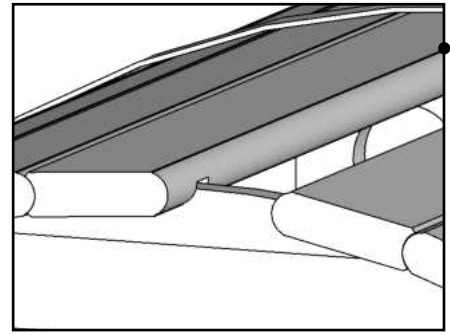
Remove temporary bracing



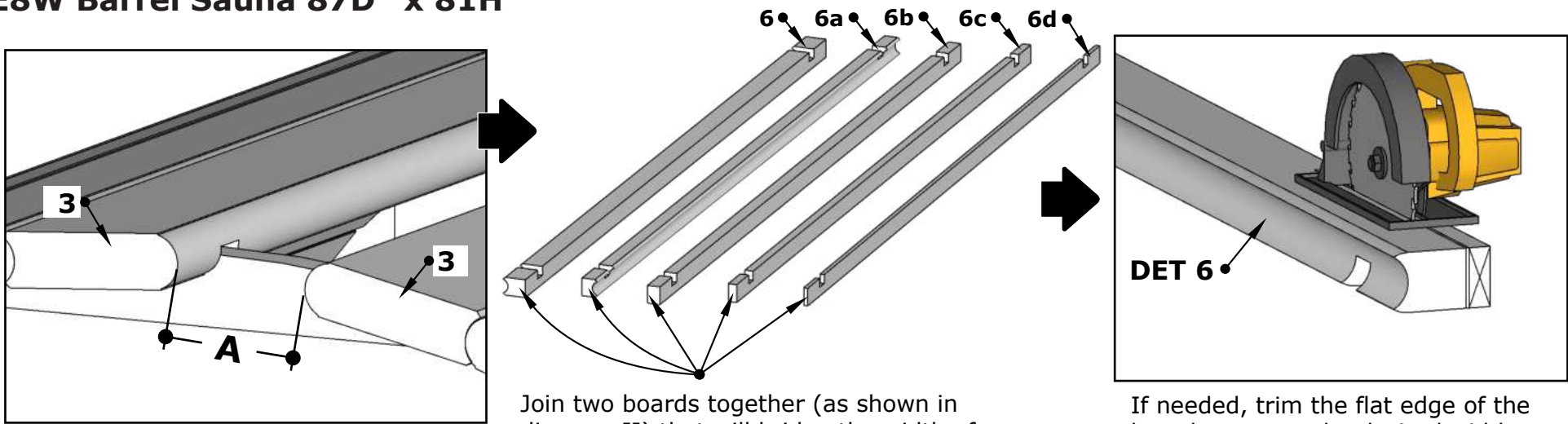
**IMPORTANT!** Be sure to leave a 1/4" gap when tightening screws to leave room for adjustment when the outer bands (B) are installed.



See the next page.



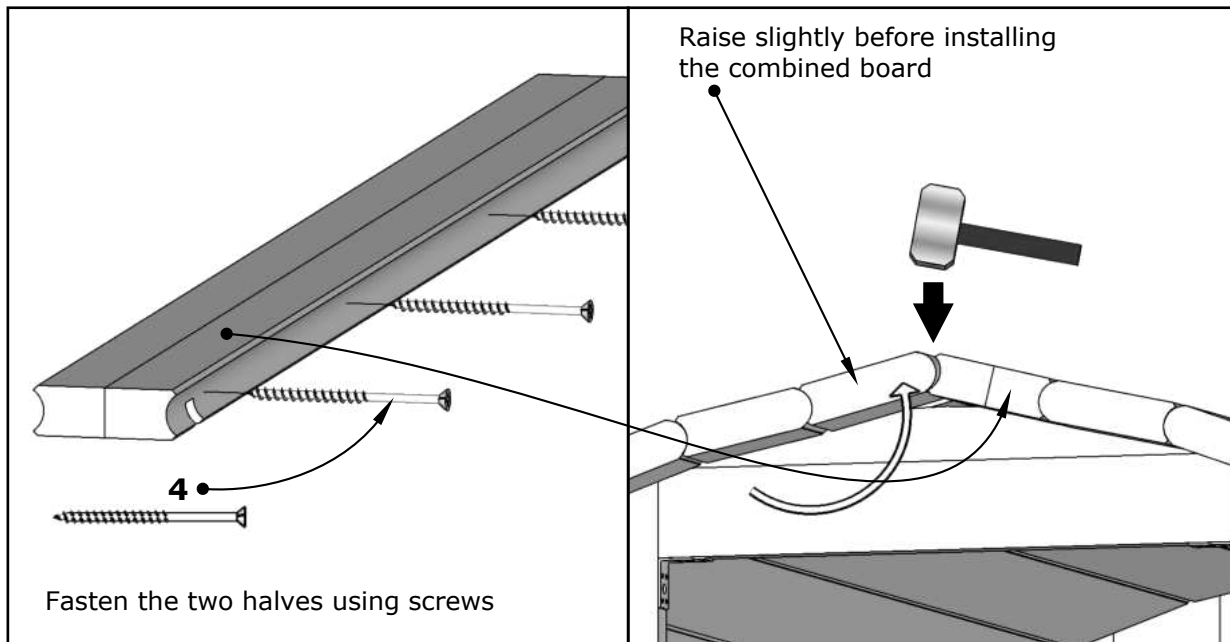
# E8W Barrel Sauna 87D" x 81H"



**I**

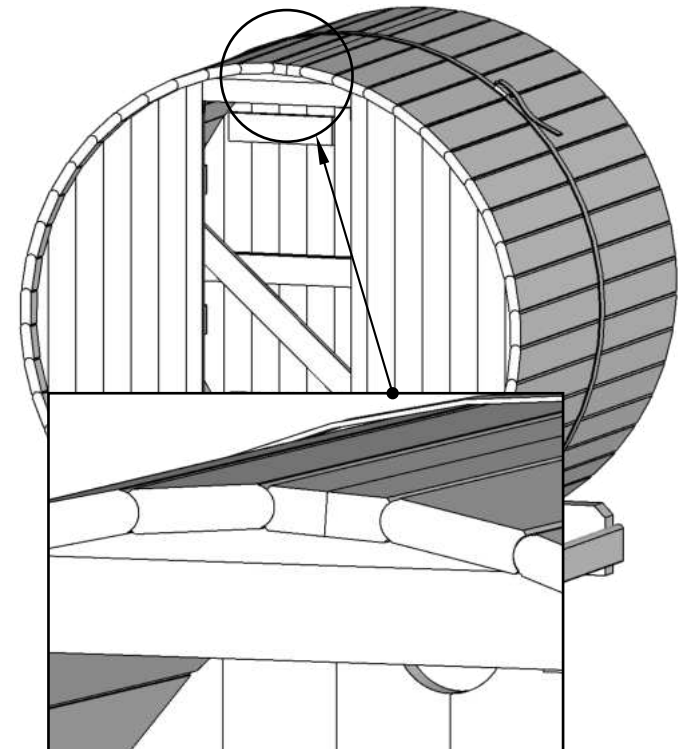
Join two boards together (as shown in diagram II) that will bridge the width of the "A" gap. It is recommended that the combined boards are approximately 1/4" wider than the gap.

If needed, trim the flat edge of the board to create the desired width.



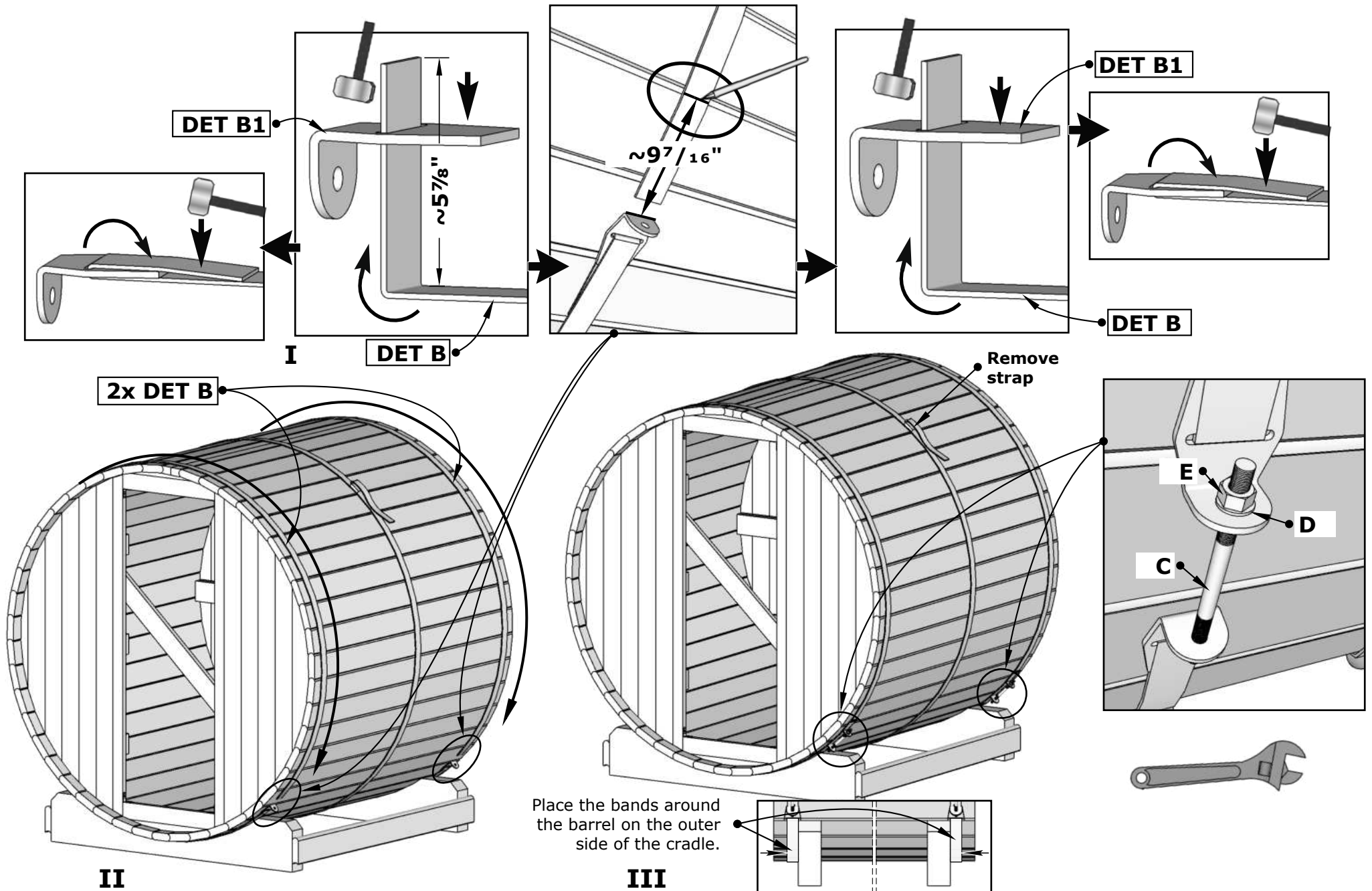
Fasten the two halves using screws

**II**



**III**

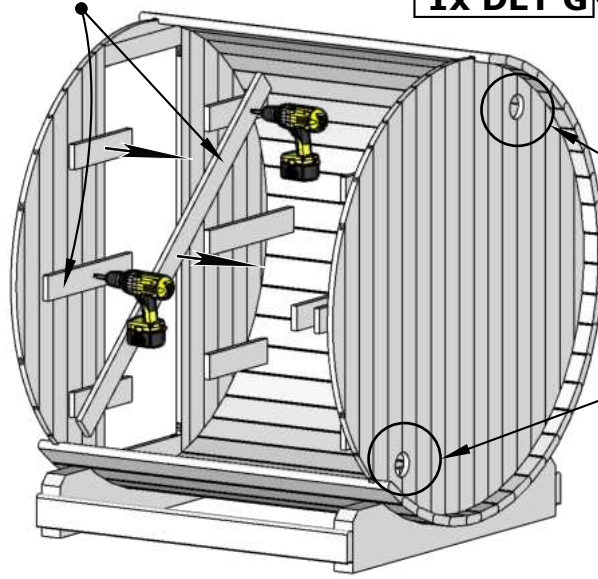
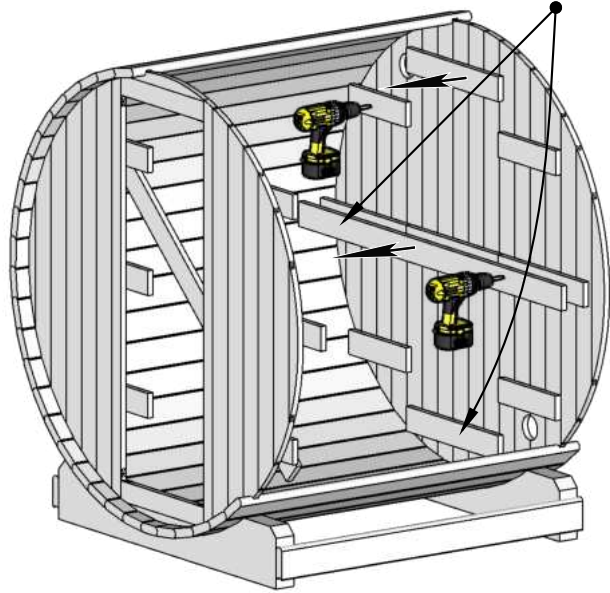
# E8W Barrel Sauna 87D" x 81H"



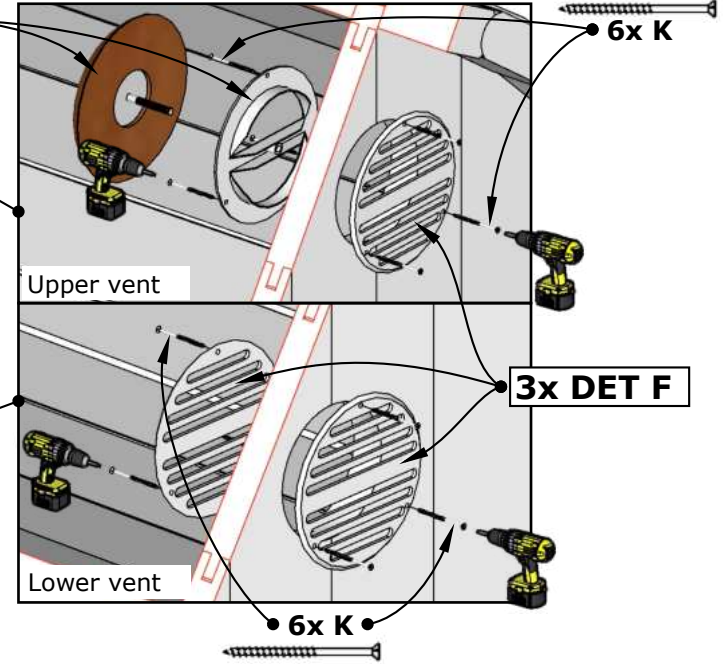


# E8W Barrel Sauna 87D" x 81H"

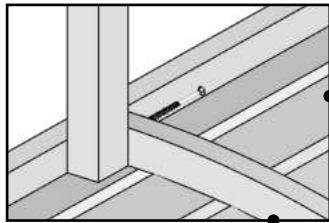
Remove all temporary braces



1x DET G



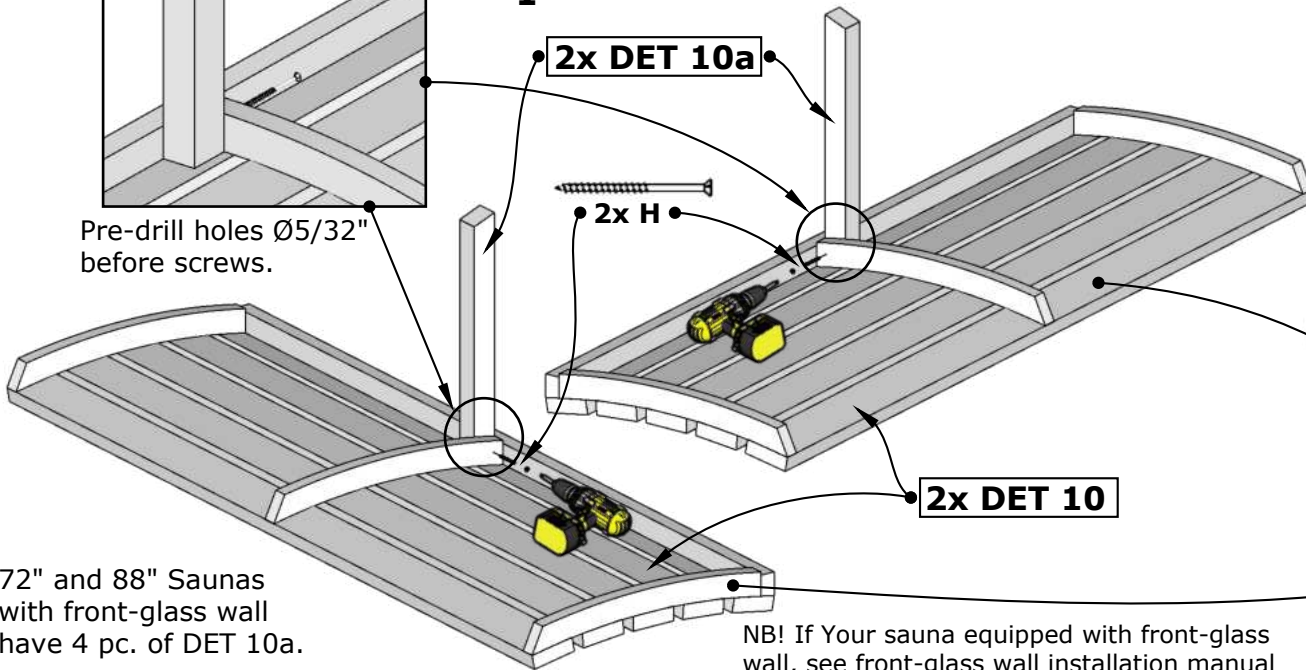
I



Pre-drill holes Ø5/32" before screws.

2x DET 10a

2x H

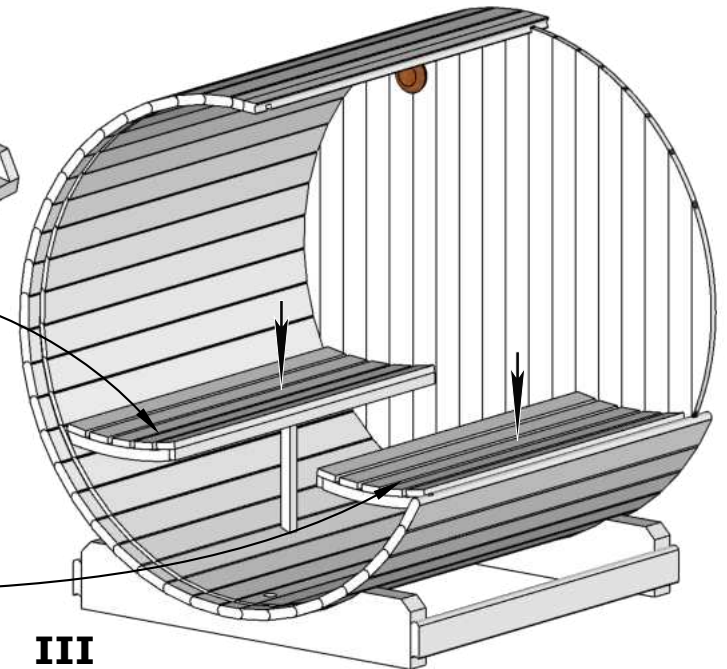


2x DET 10

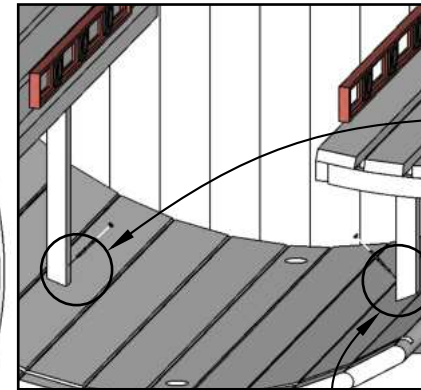
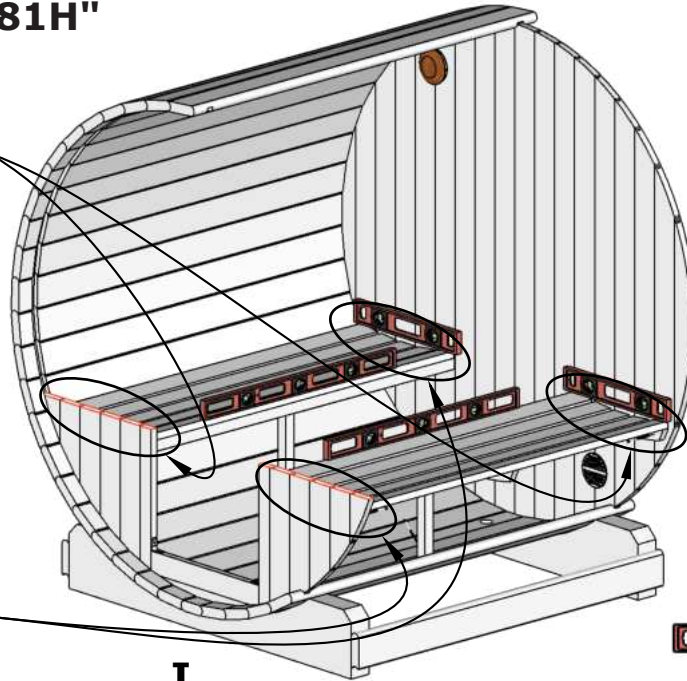
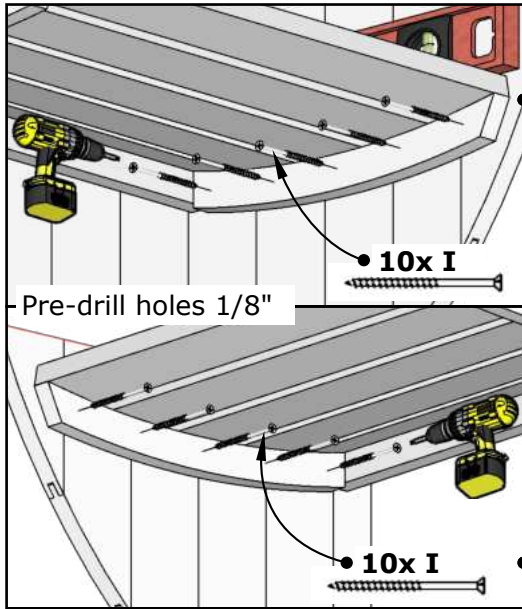
72" and 88" Saunas with front-glass wall have 4 pc. of DET 10a.

NB! If Your sauna equipped with front-glass wall, see front-glass wall installation manual for proper benches installation.

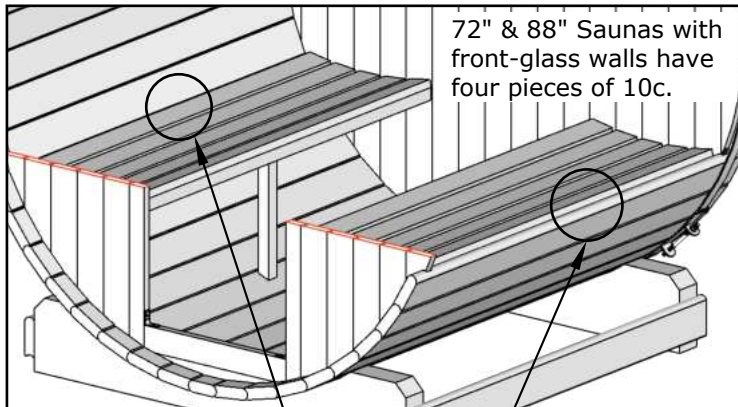
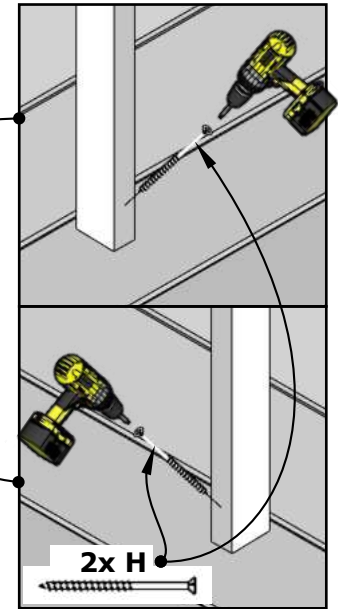
III



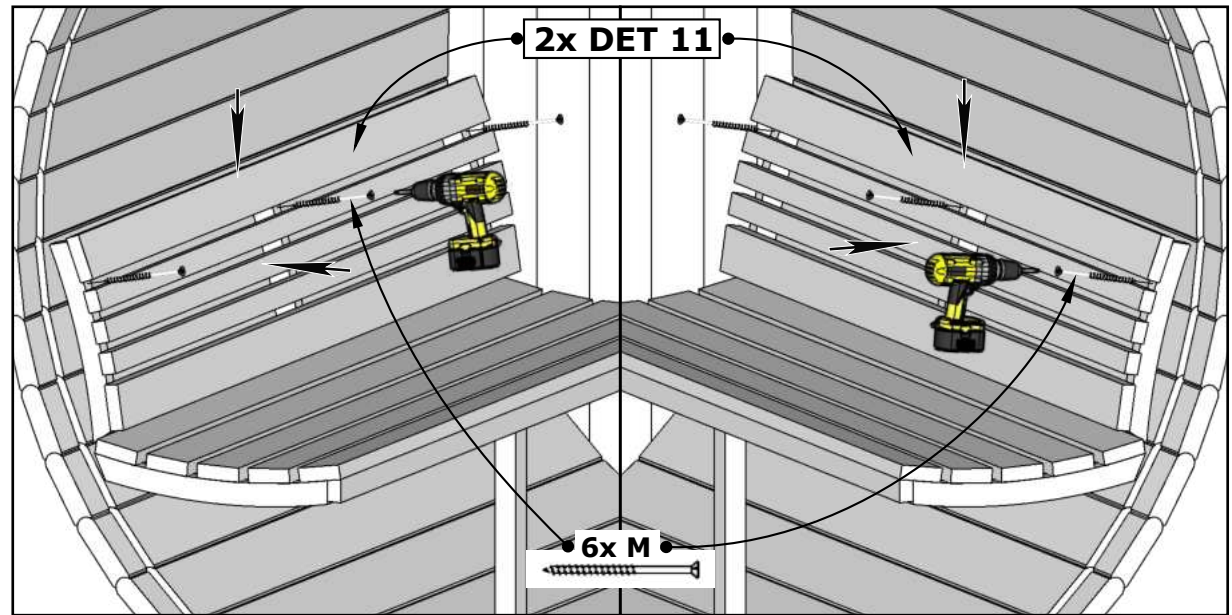
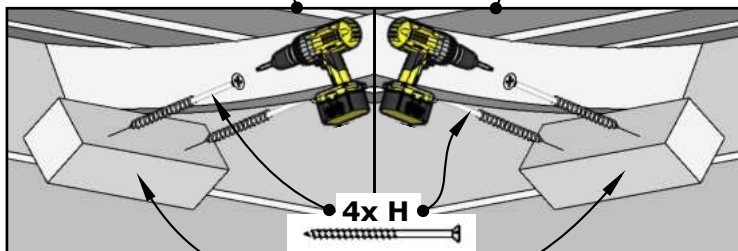
# E8W Barrel Sauna 87D" x 81H"



Use level for installation of benches



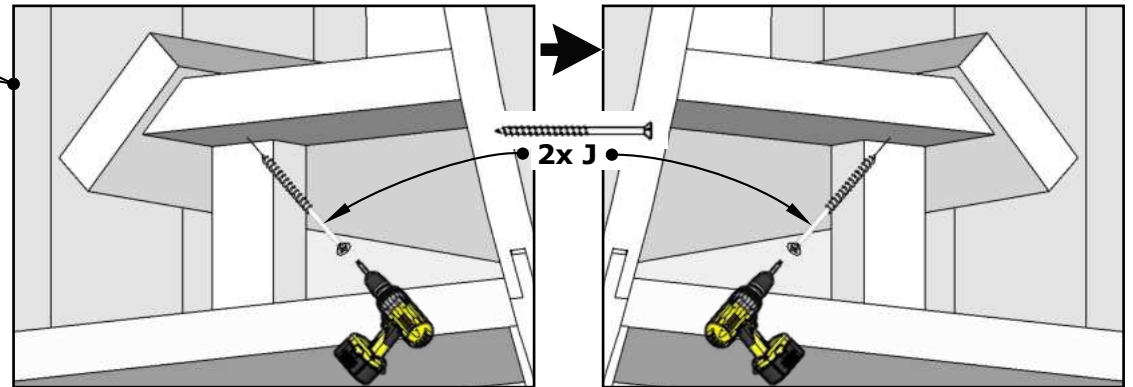
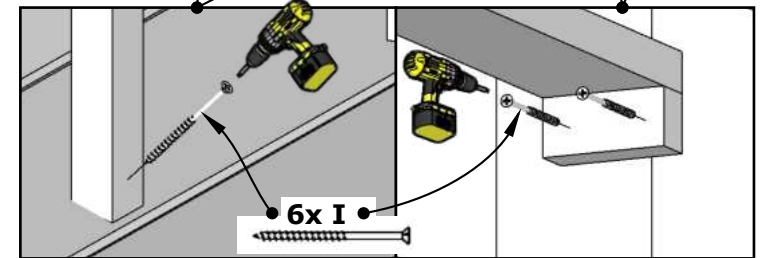
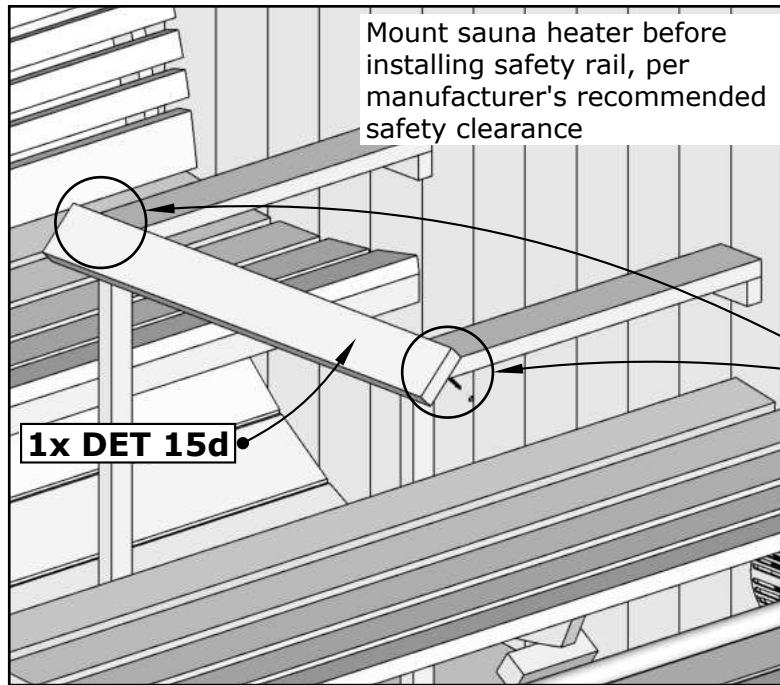
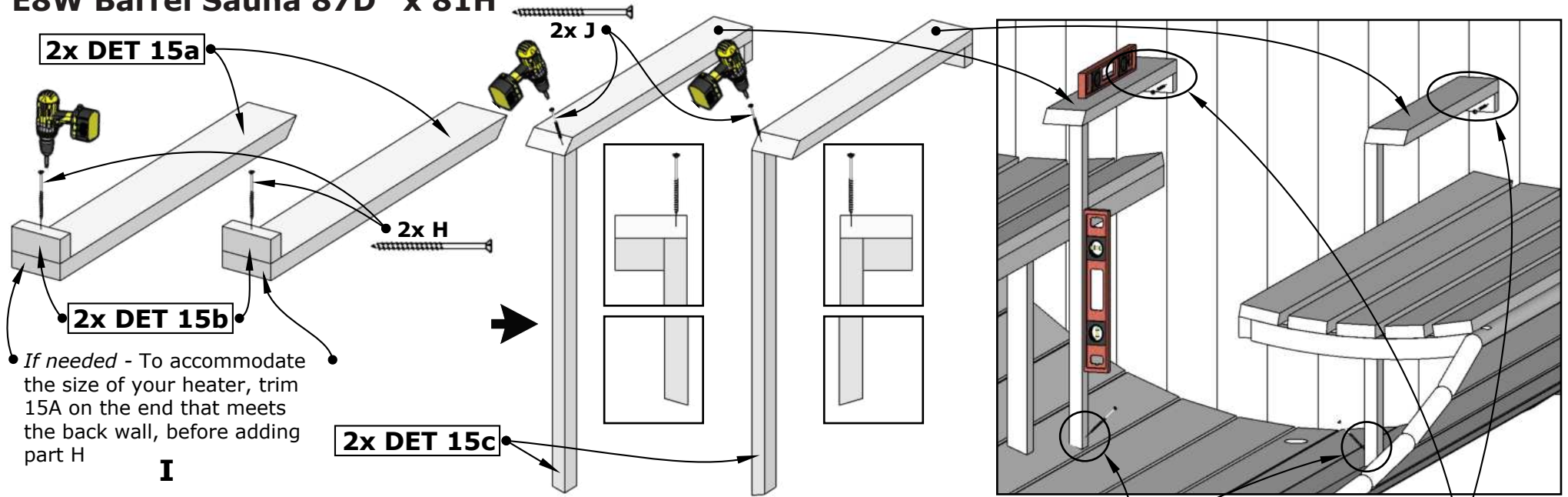
Under the benches



III



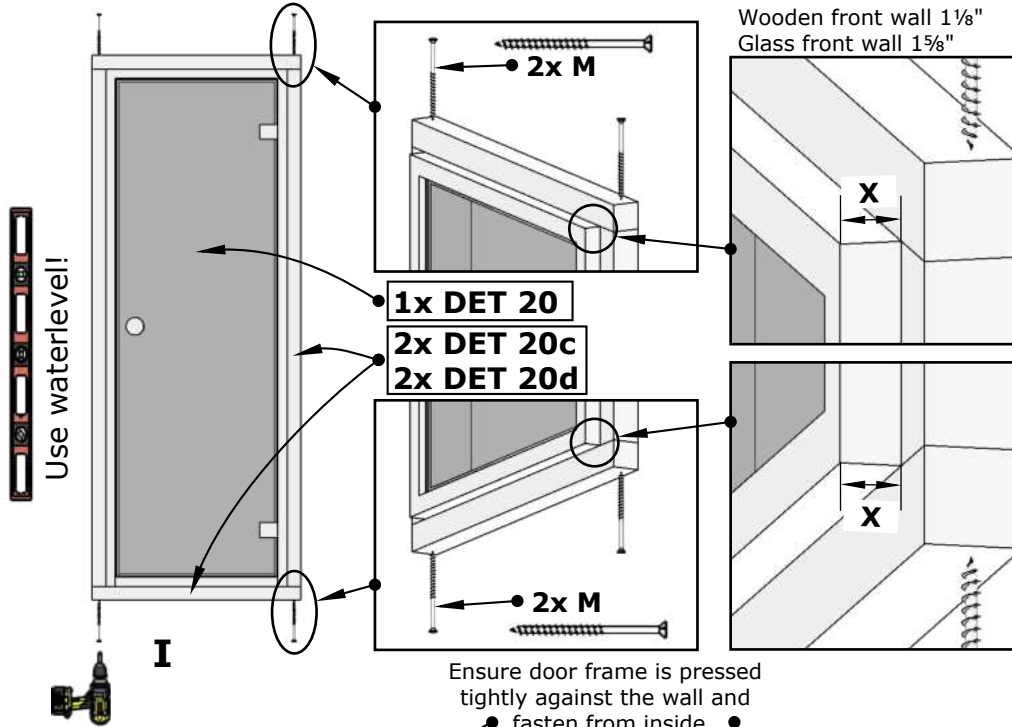
# E8W Barrel Sauna 87D" x 81H"



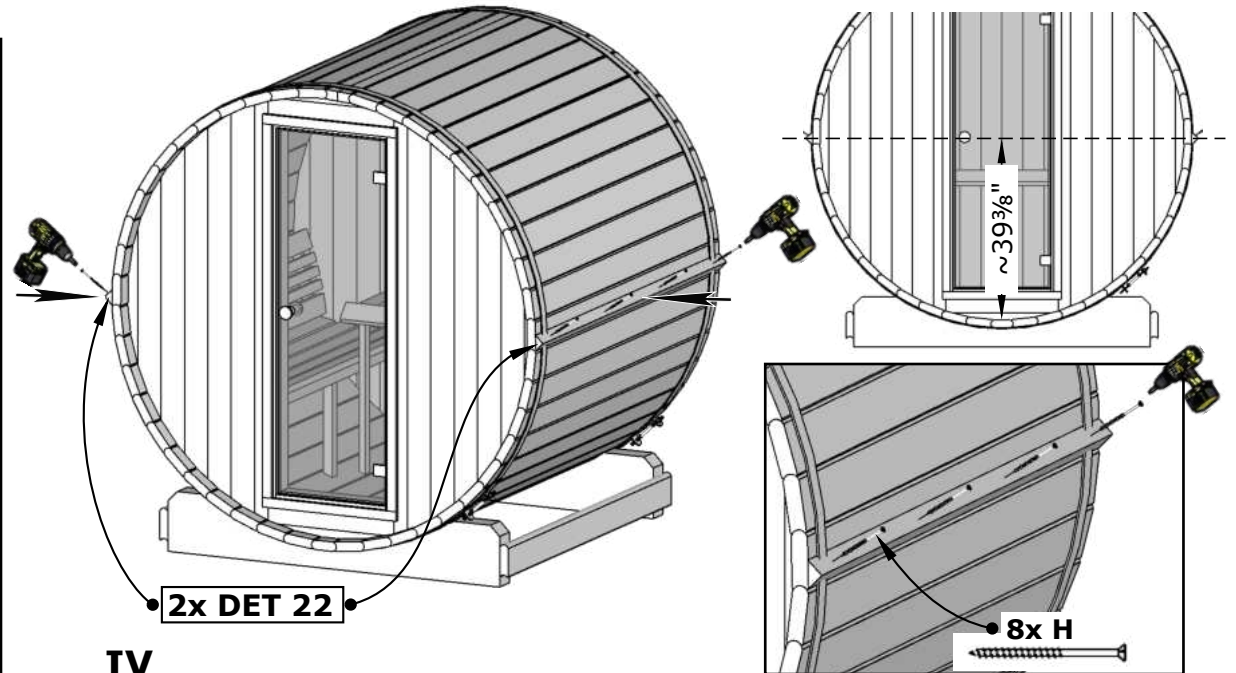
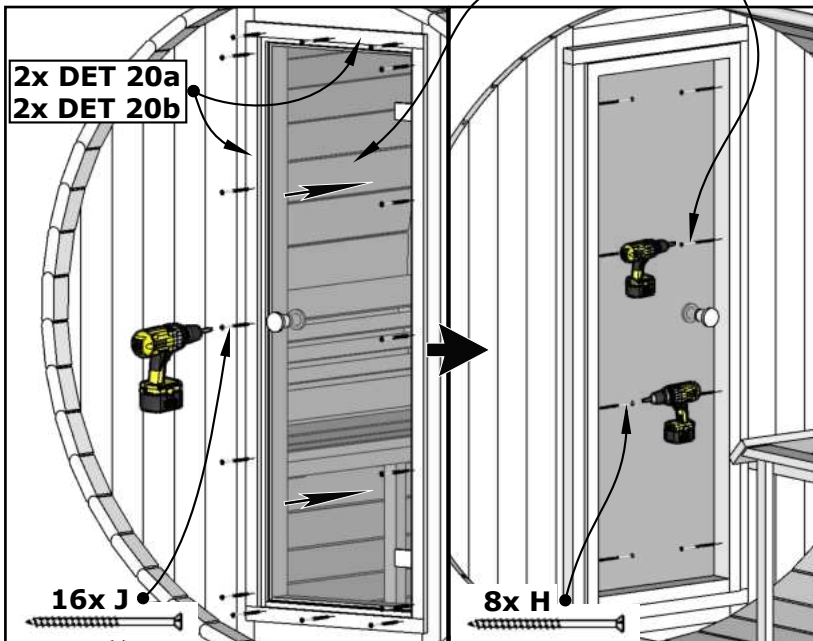
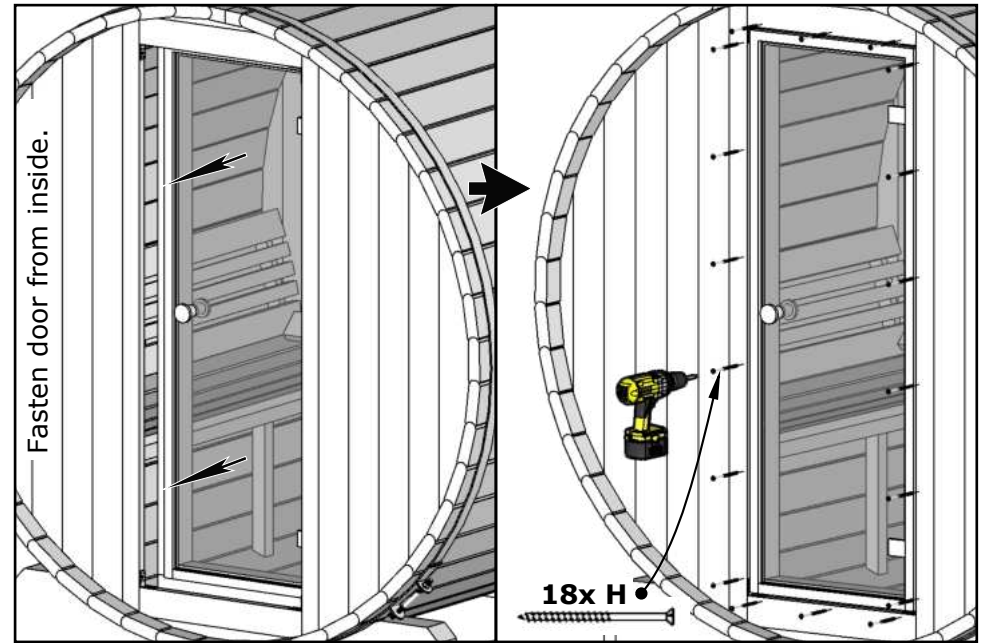


# E8W Barrel Sauna 87D" x 81H"

X= Front wall thickness  
 Wooden front wall 1 1/8"  
 Glass front wall 1 5/8"

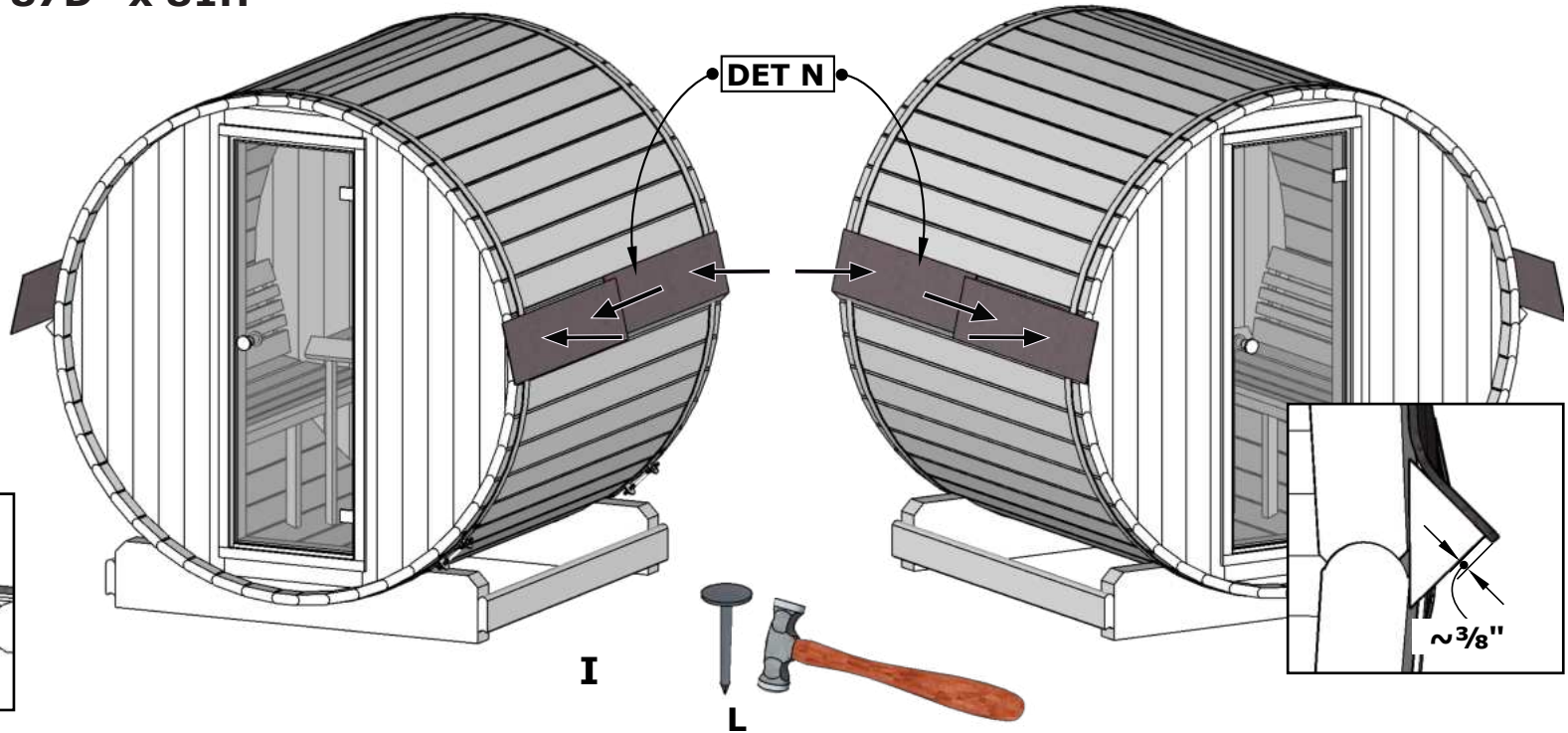
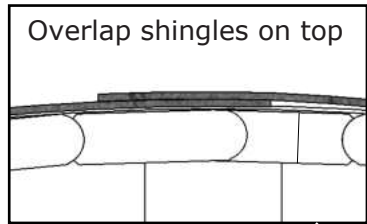


Ensure door frame is pressed tightly against the wall and fasten from inside

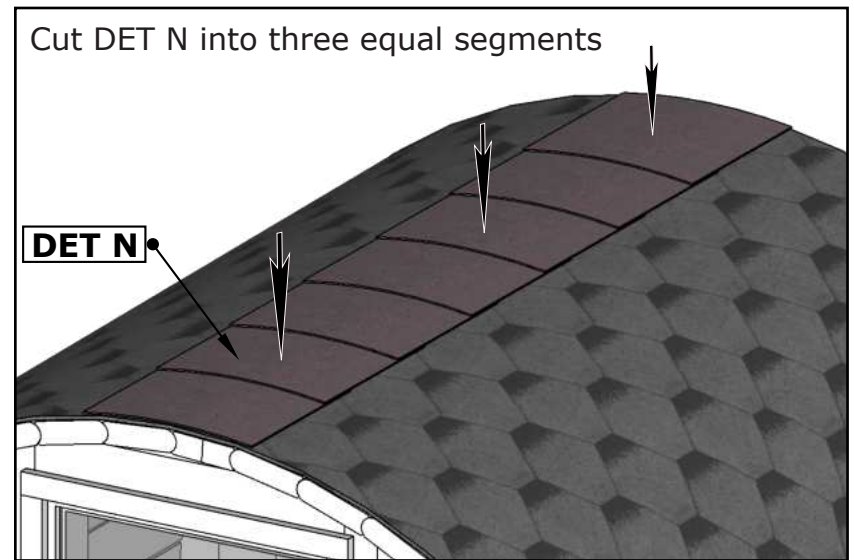
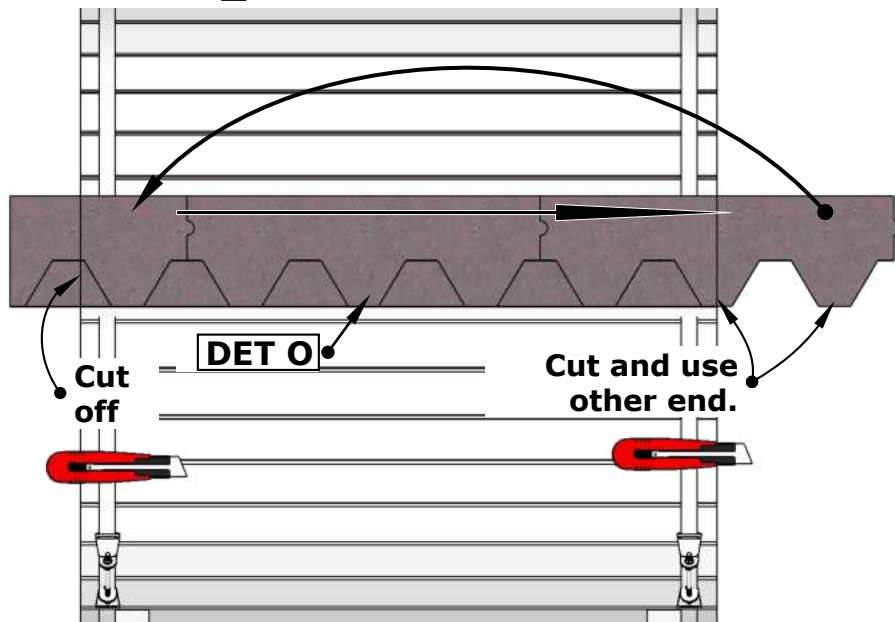


# E8W Barrel Sauna 87D" x 81H"

See the installation manual inside the shingles package



Check also roof shingles installation manual inside package.



# E8W Barrel Sauna 87D" x 81H"

