



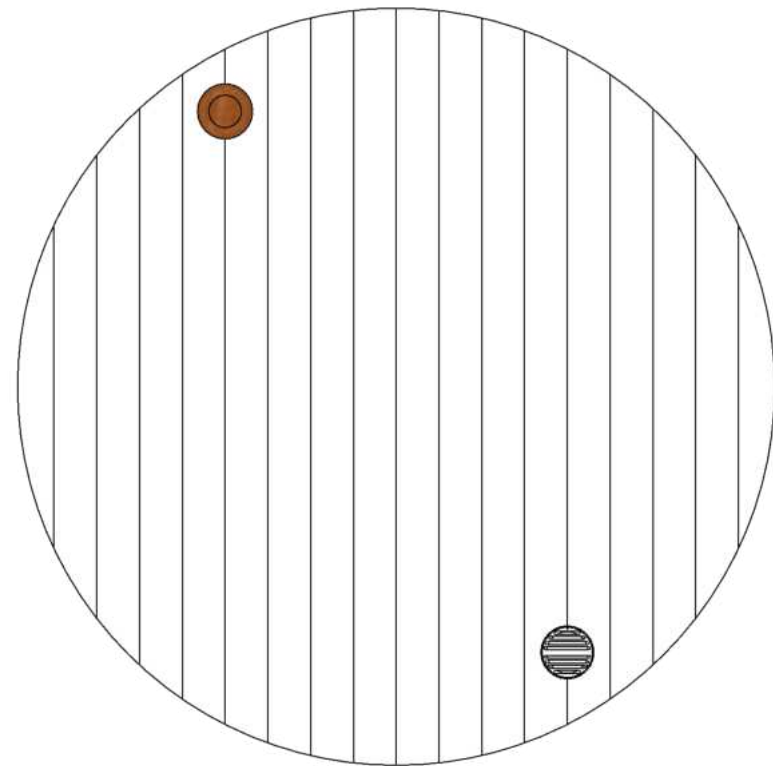
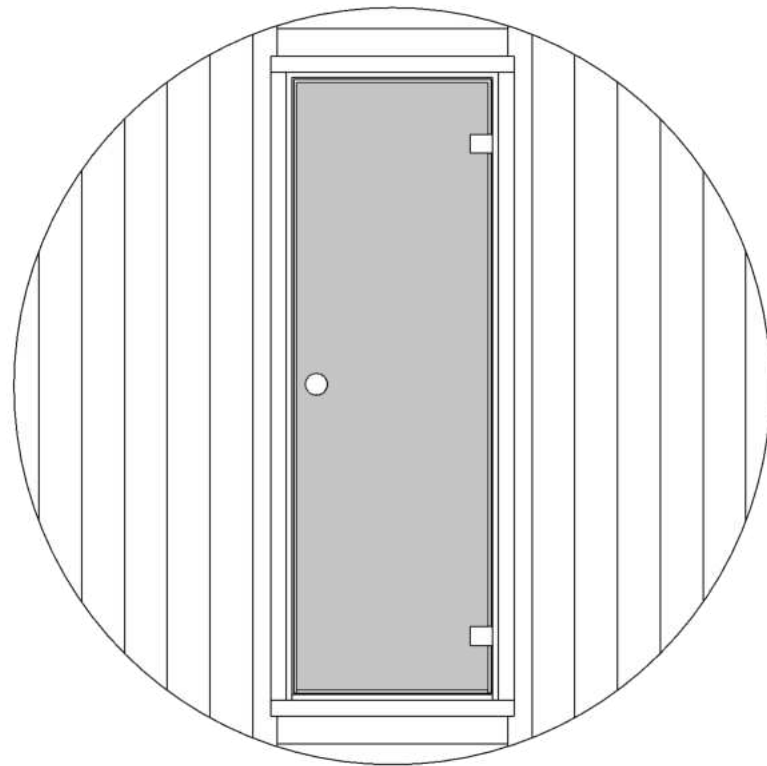
Ergo-Series E7 Barrel Sauna
71D" x 81H"



Note: Please read manual before construction

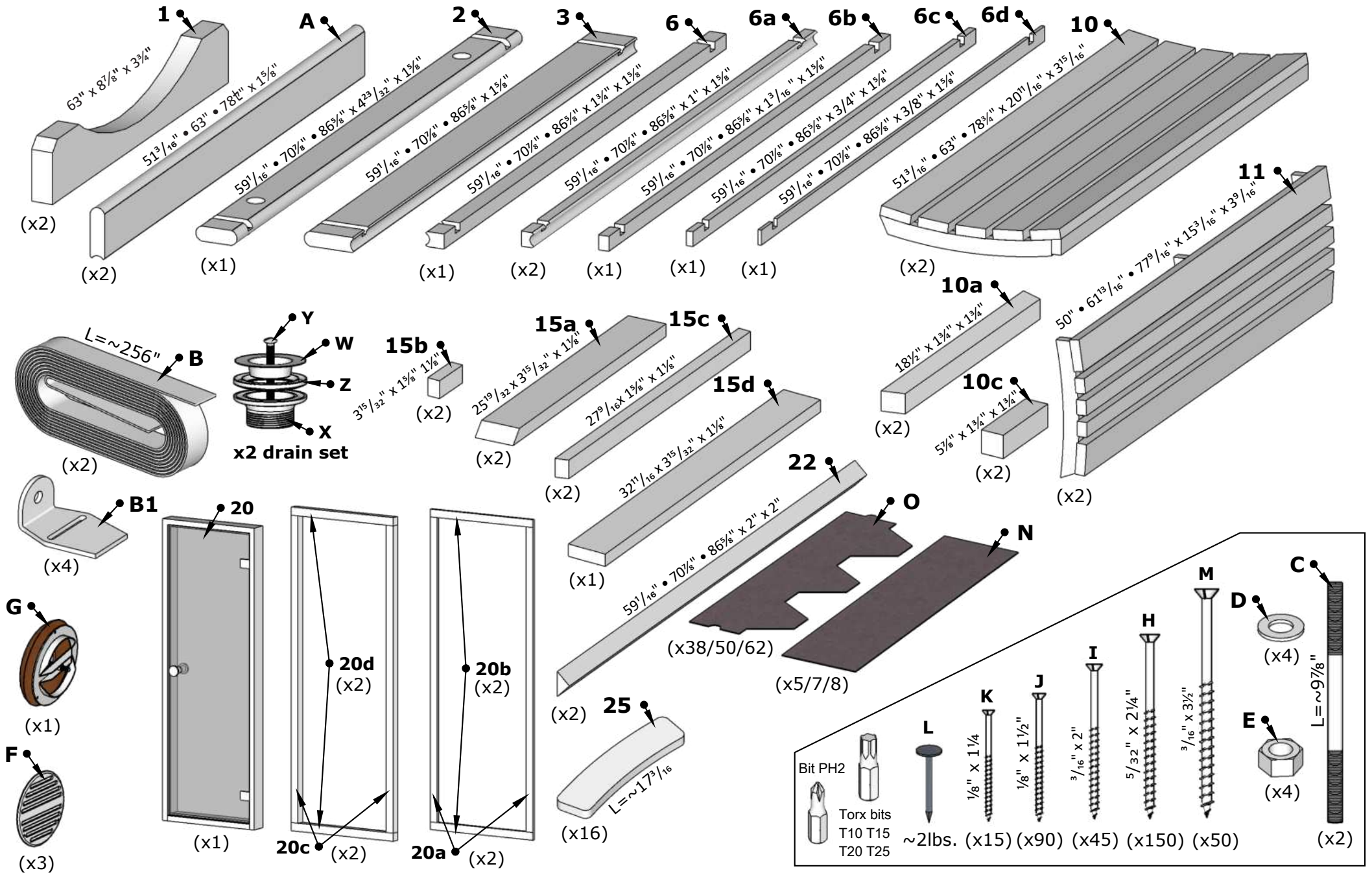
Rev 4/2023

Front & Back Walls



E7 Barrel Sauna 71D" x 81H"

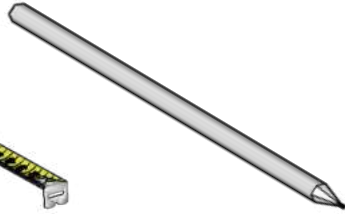
Details list.



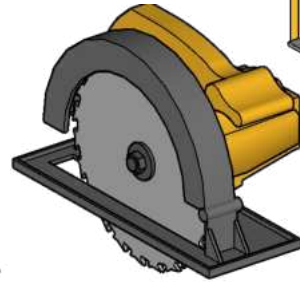
Tools needed



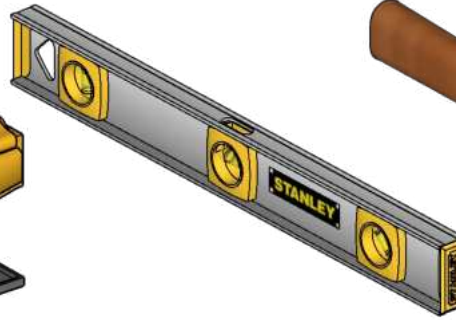
Measuring tape



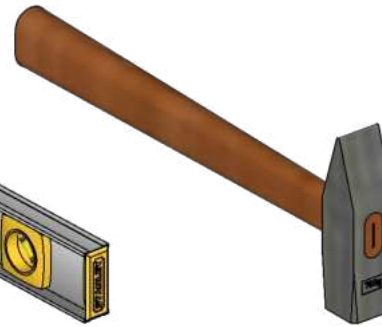
Marker pen



Circular saw



Water level



Hammer



Extra hands



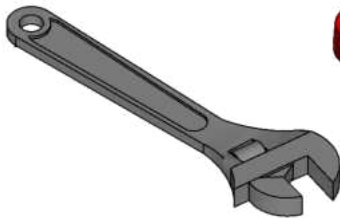
Ratchet strap



Silicone gun
(Only glass-wall models)



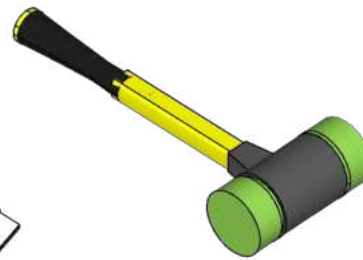
Drill



Crescent wrench



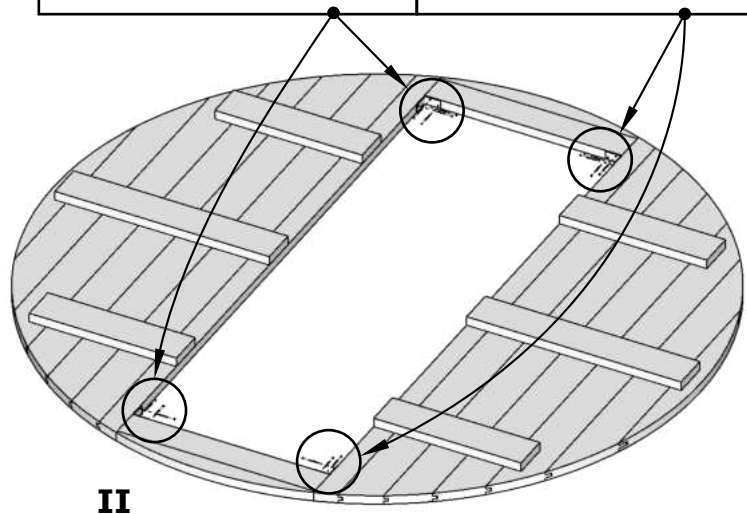
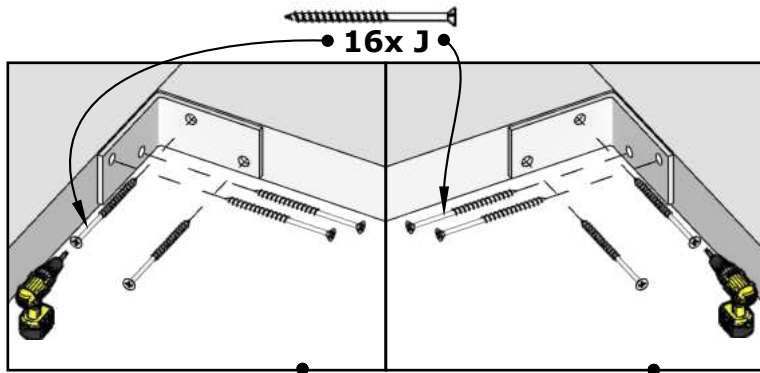
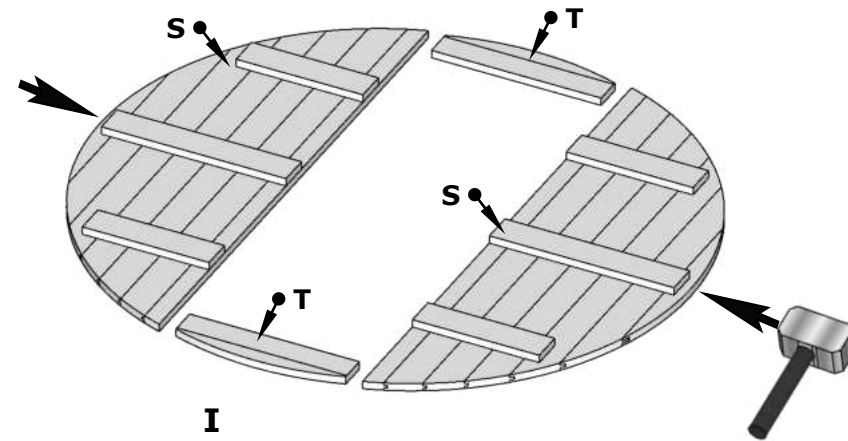
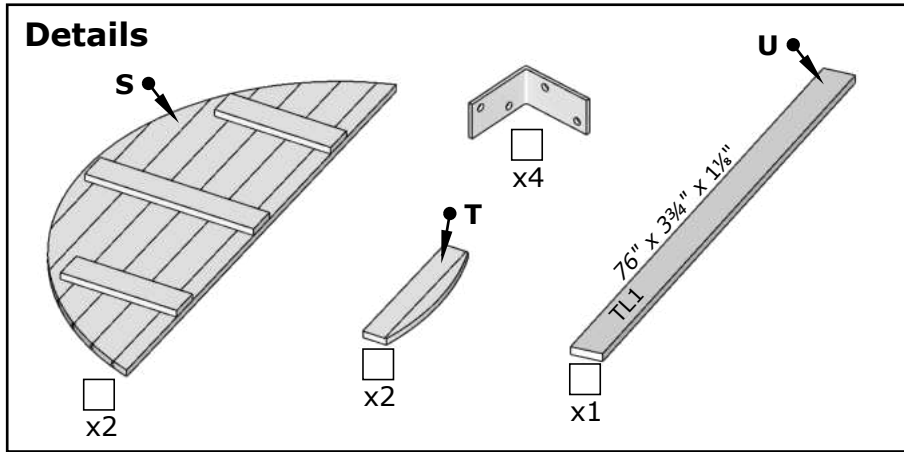
Utility knife



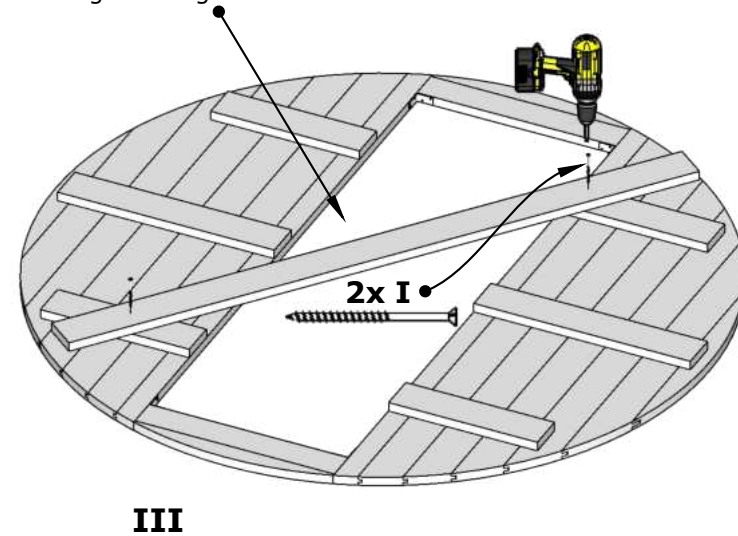
Rubber mallet

Wooden front wall installation

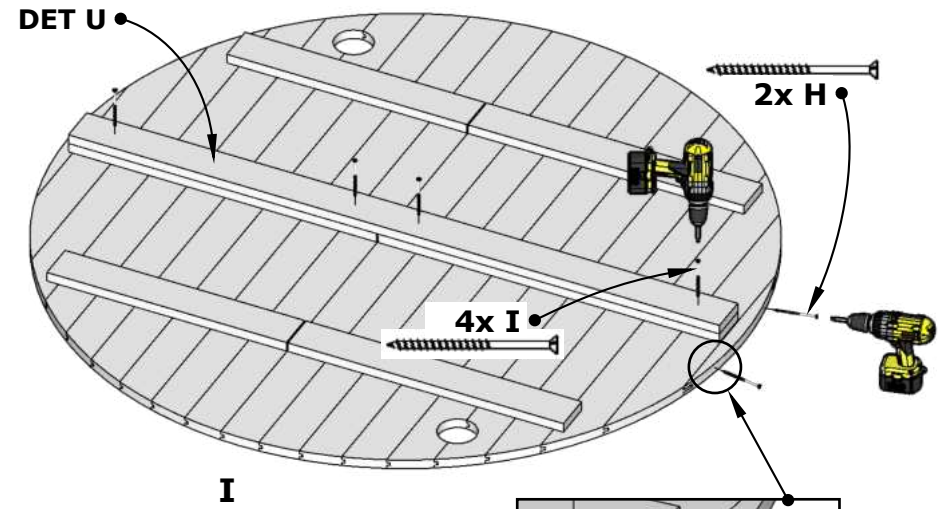
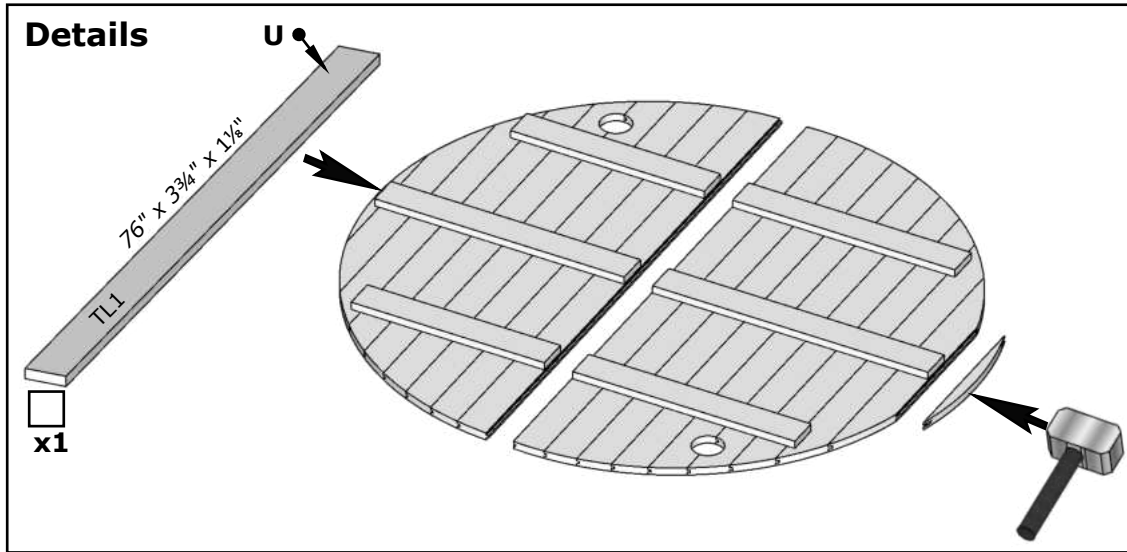
Details



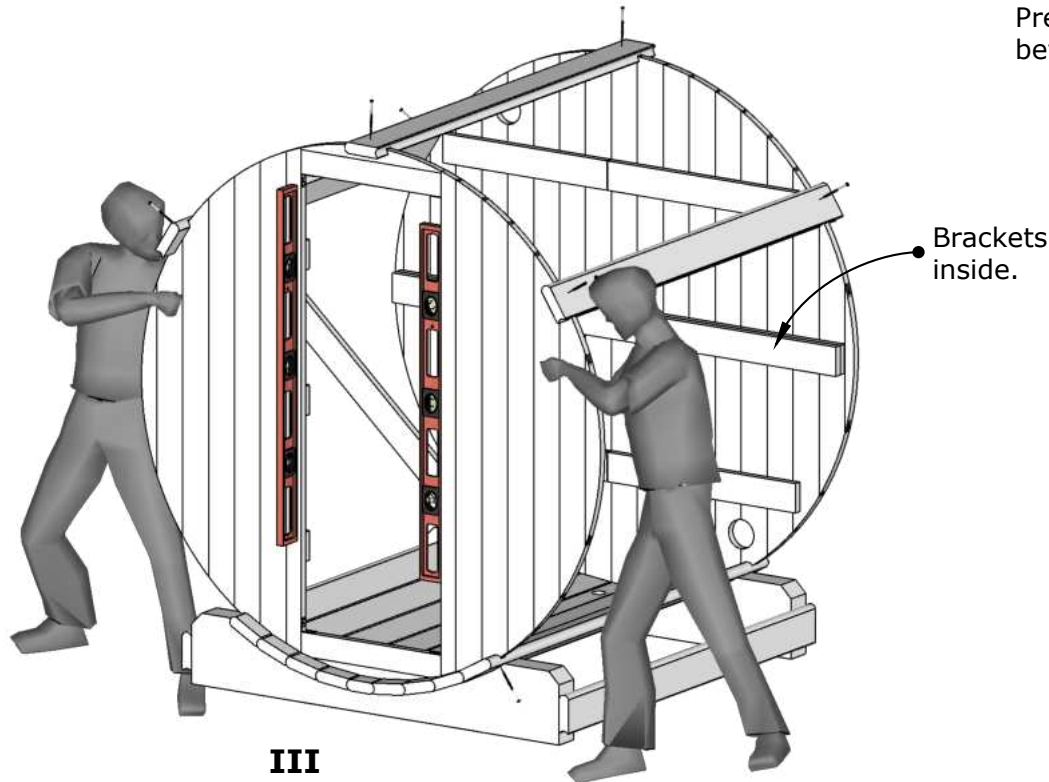
DET U Fix it diagonally to make wall more rigid during the installation.



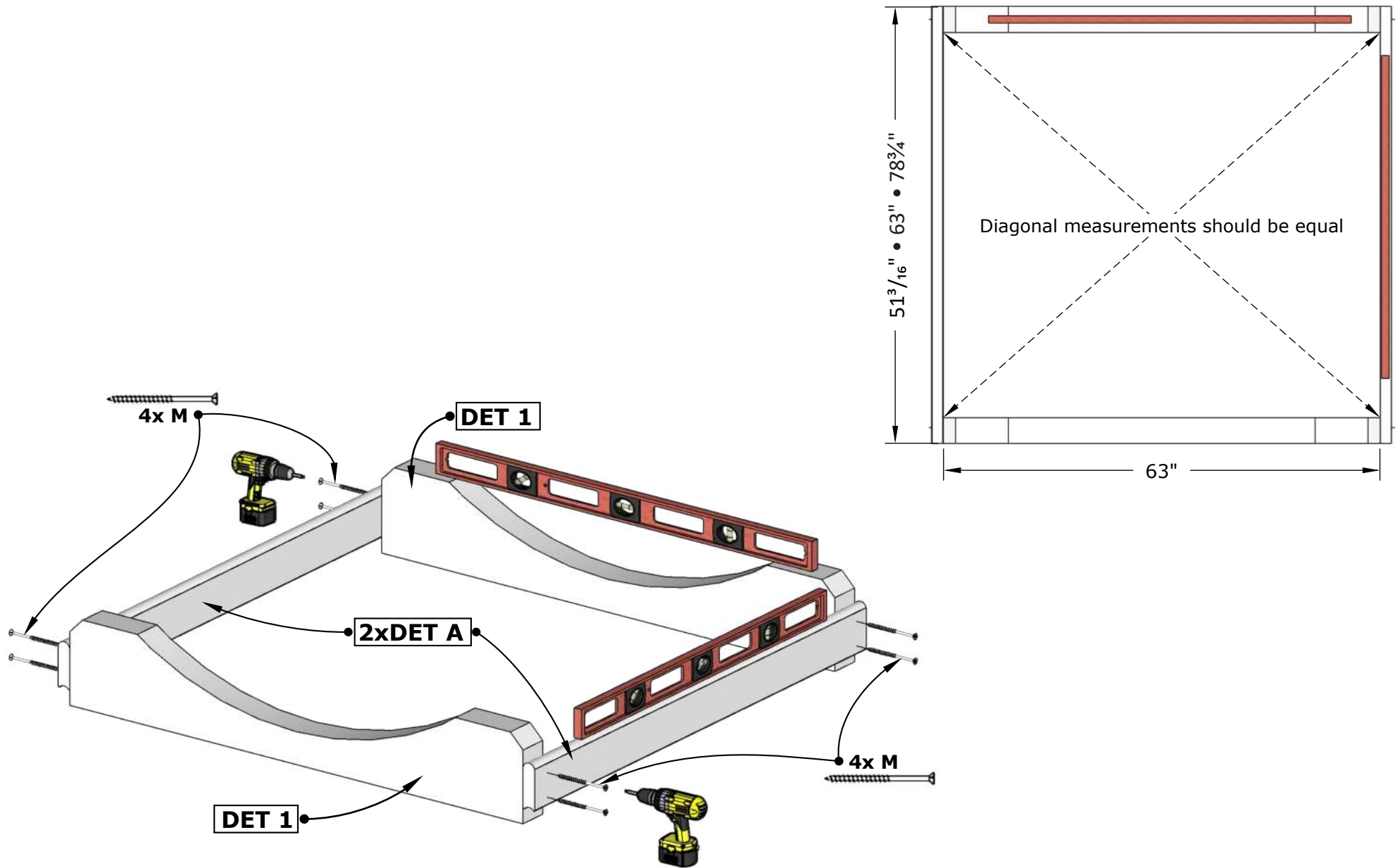
Wooden back wall installation



Pre-drill holes 5/32" before screws.

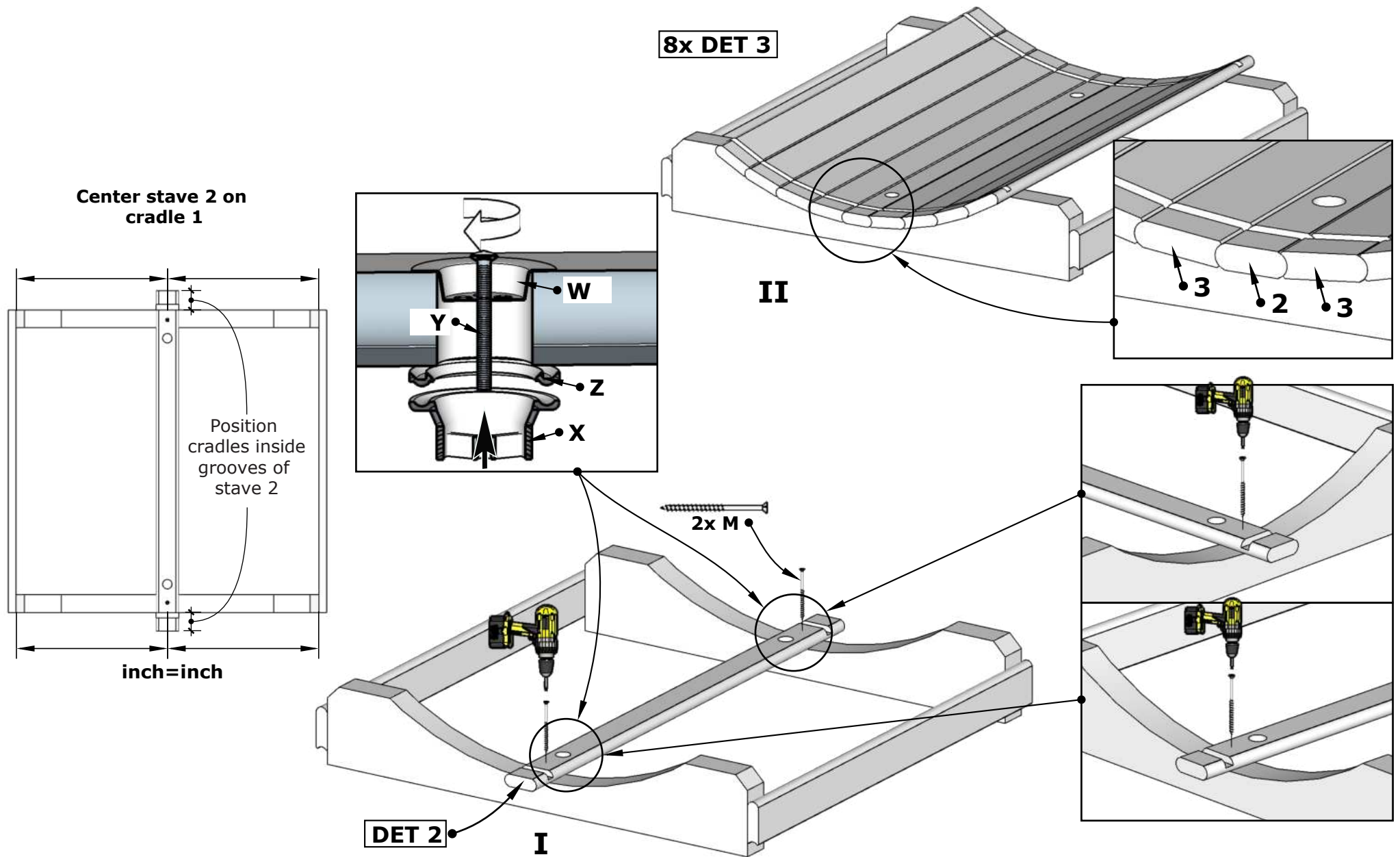


E7 Barrel Sauna 71D" x 81H"

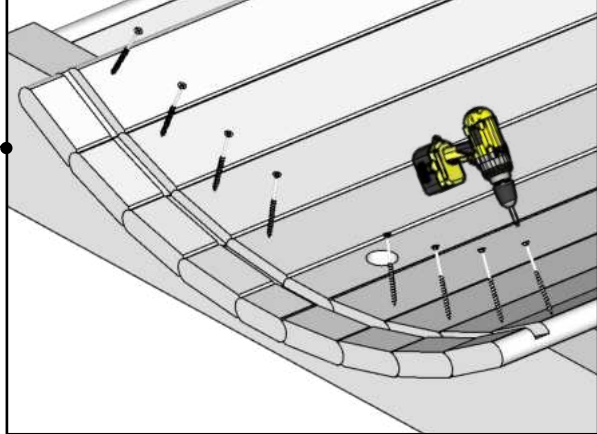
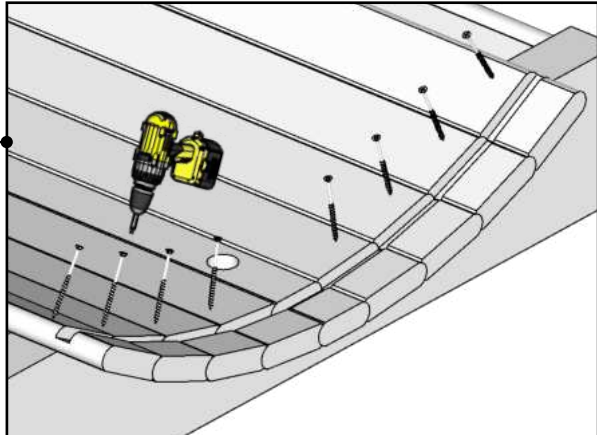
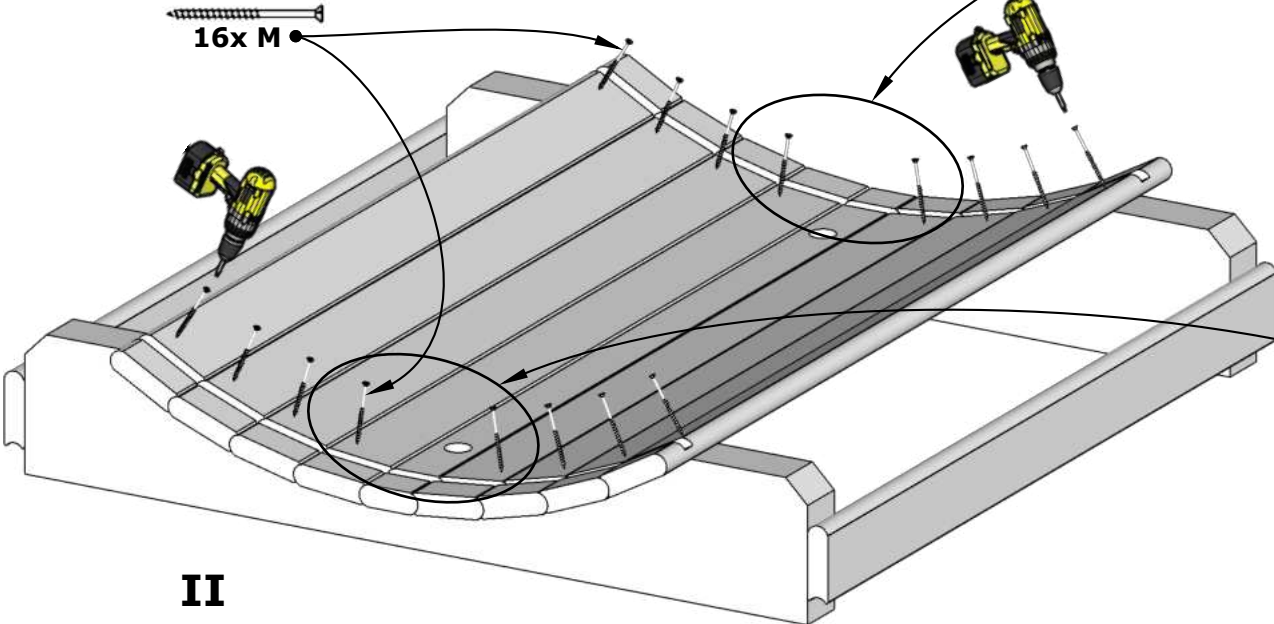
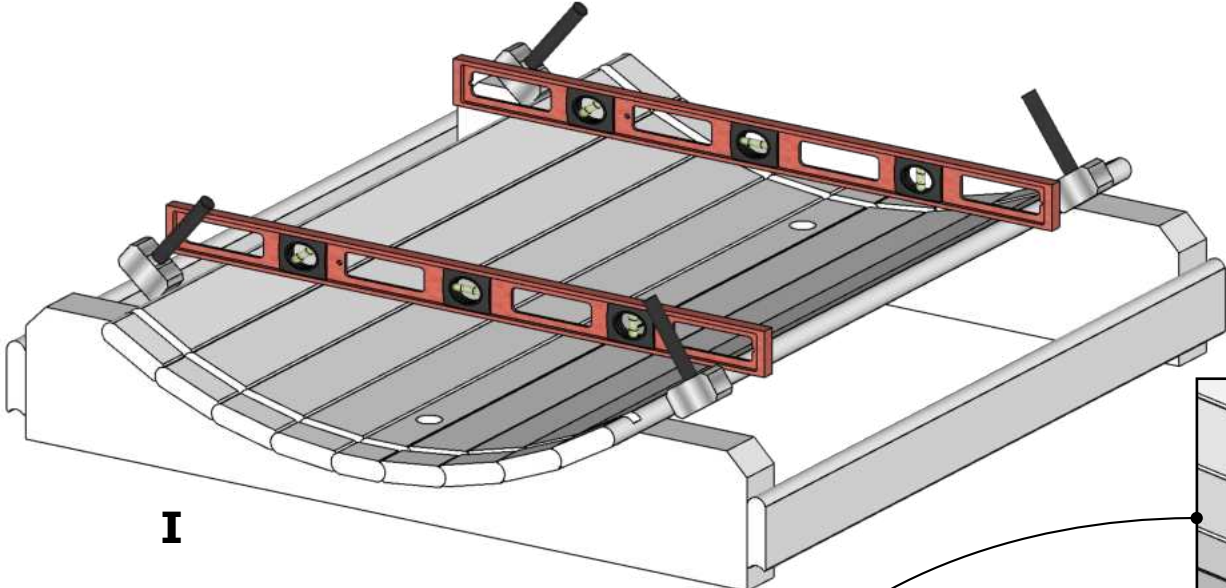


1.

E7 Barrel Sauna 71D" x 81H"

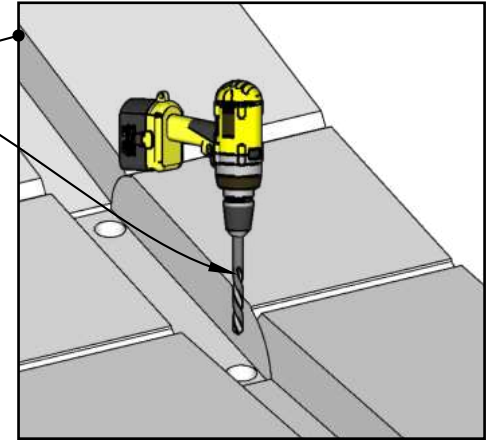
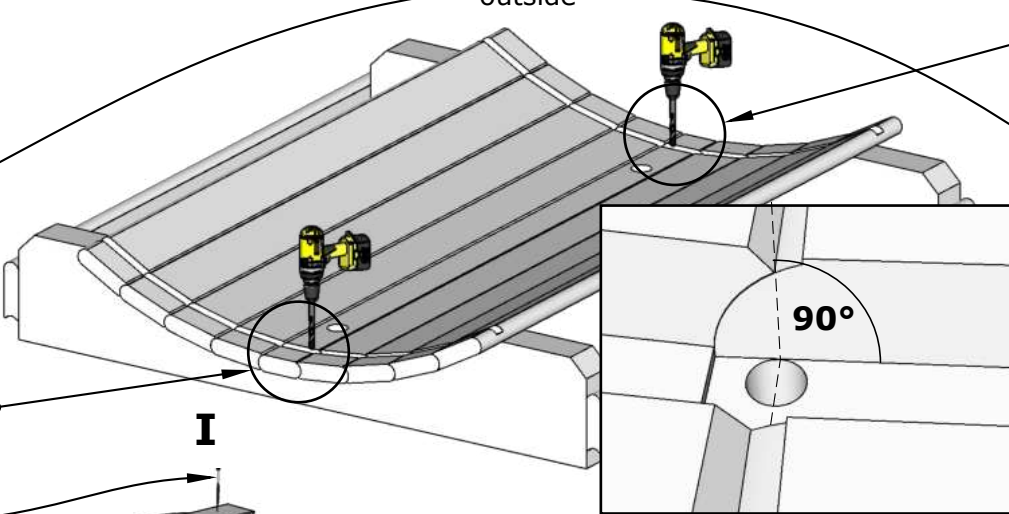
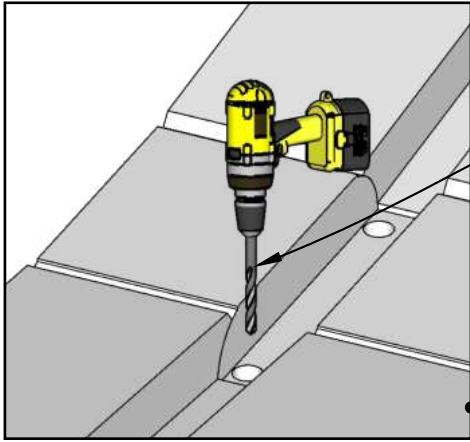


E7 Barrel Sauna 71D" x 81H"



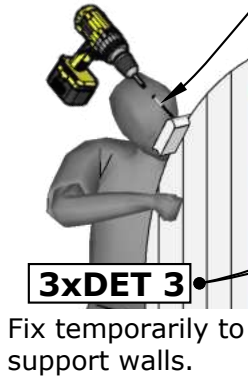
E7 Barrel Sauna 71D" x 81H"

Drill 4 holes $\varnothing 1/2"$
through DET 2
outside



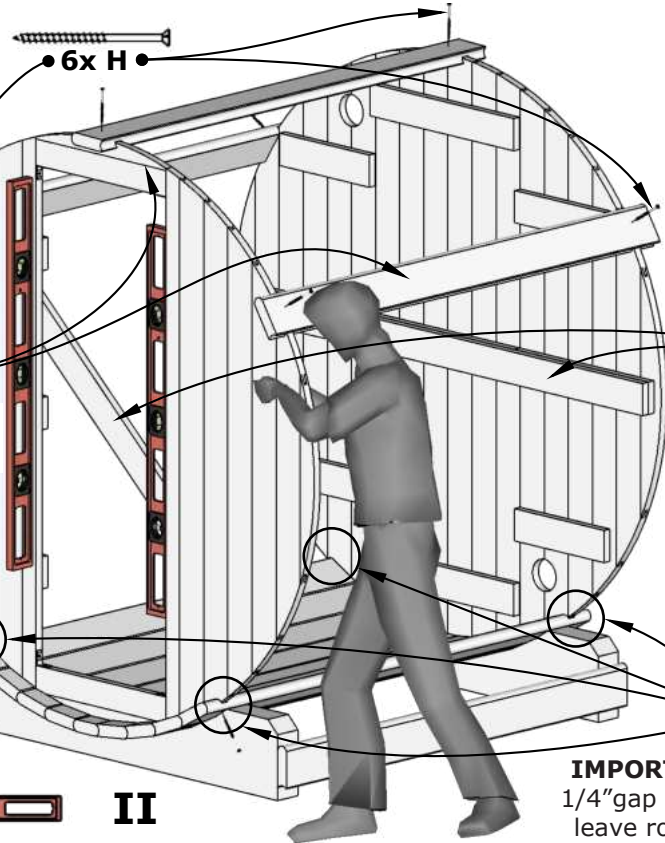
I

6x H



3xDET 3

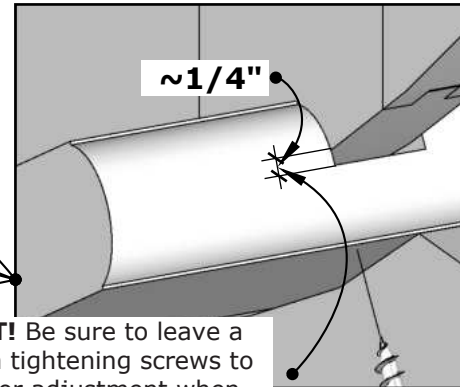
Fix temporarily to support walls.



Brackets inside

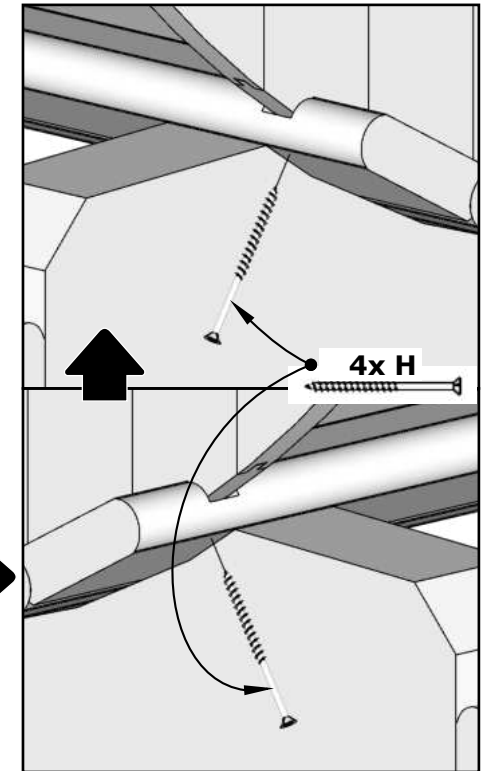
II

Use waterlevel



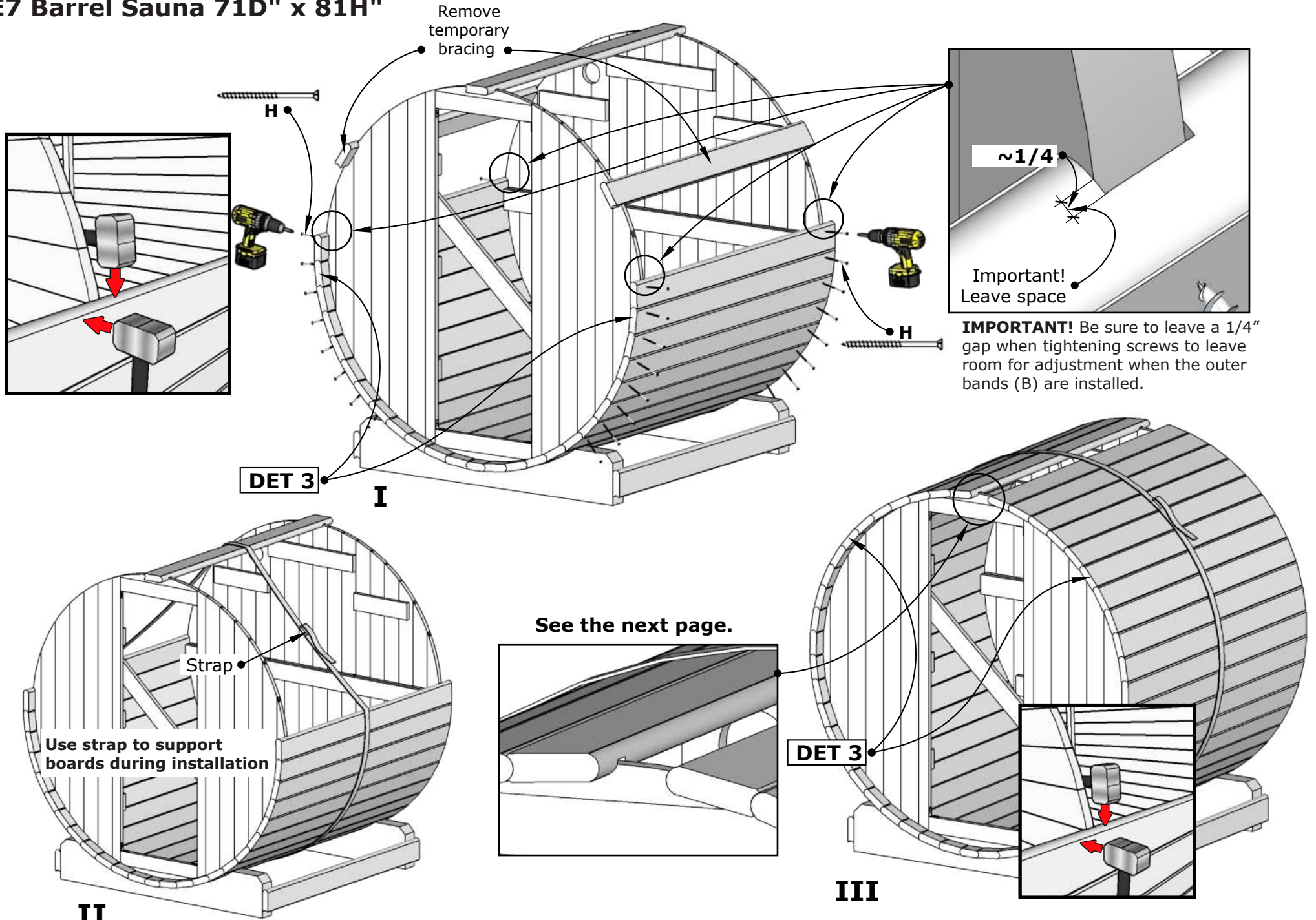
$\sim 1/4"$

IMPORTANT! Be sure to leave a $1/4"$ gap when tightening screws to leave room for adjustment when the outer bands (B) are installed.

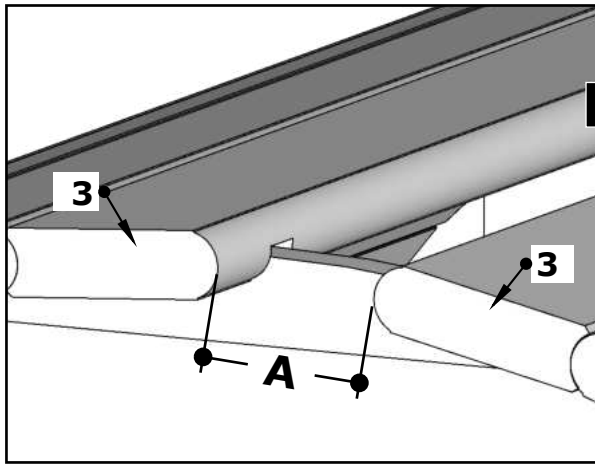


4x H

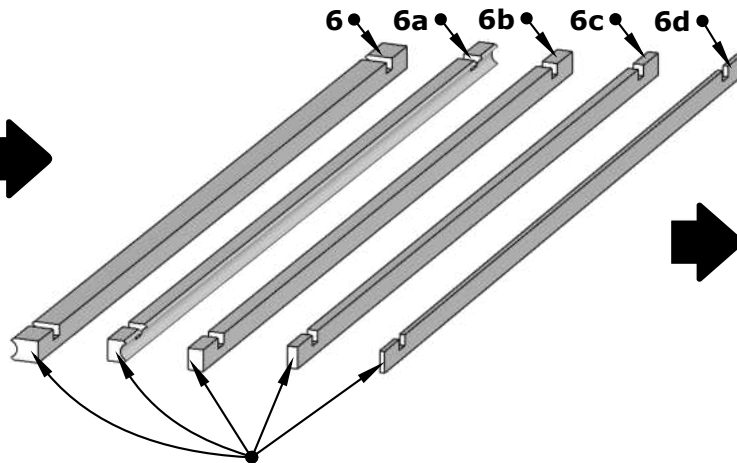
E7 Barrel Sauna 71D" x 81H"



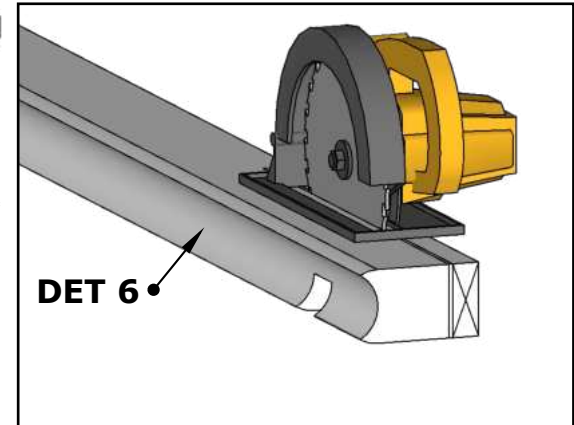
E7 Barrel Sauna 71D" x 81H"



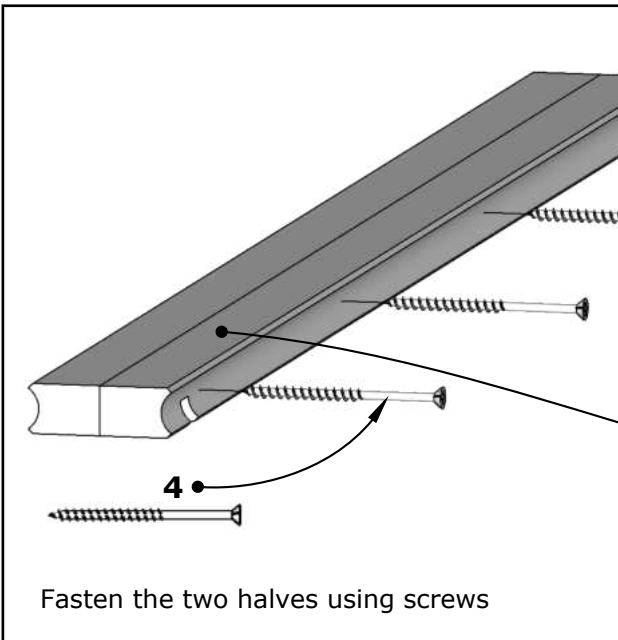
I



Join two boards together (as shown in diagram II) that will bridge the width of the "A" gap. It is recommended that the combined boards are approximately 1/4" wider than the gap.

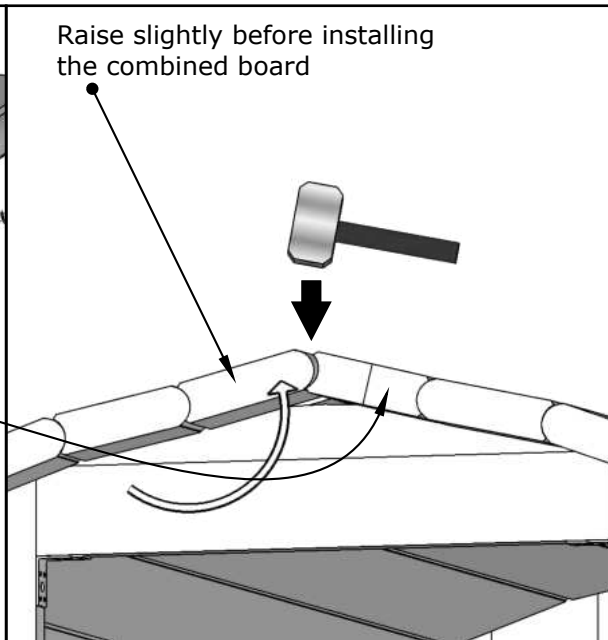


If needed, trim the flat edge of the board to create the desired width.

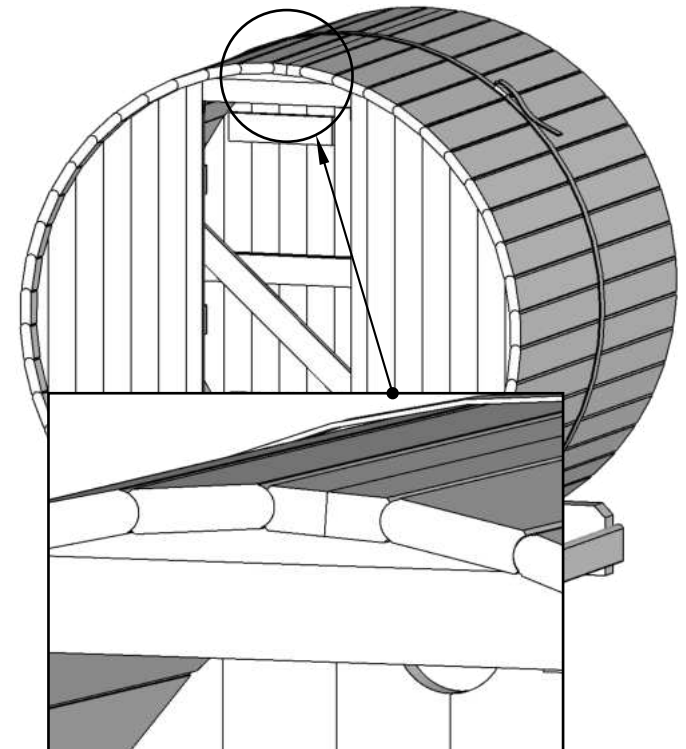


Fasten the two halves using screws

II

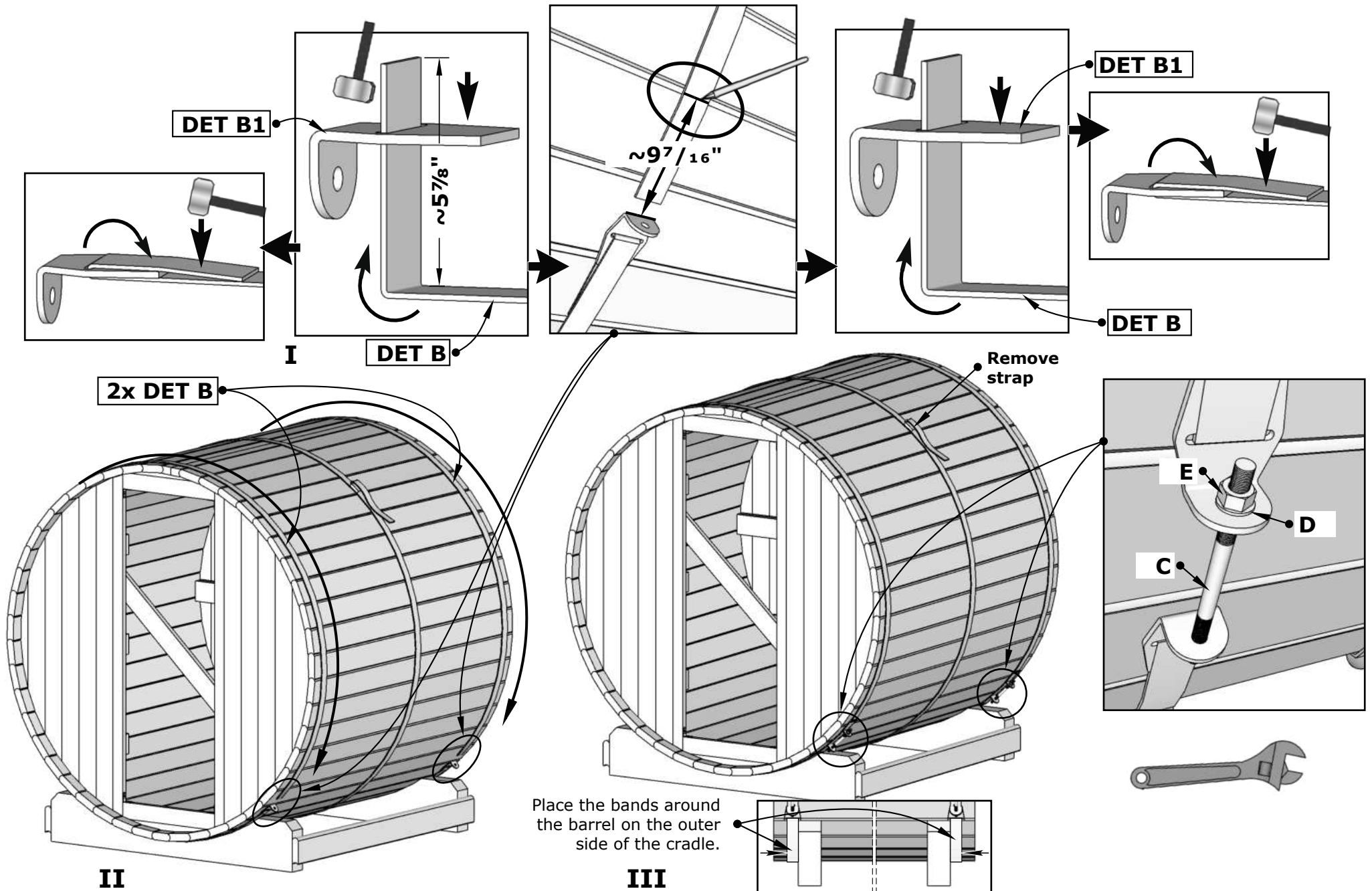


Raise slightly before installing the combined board



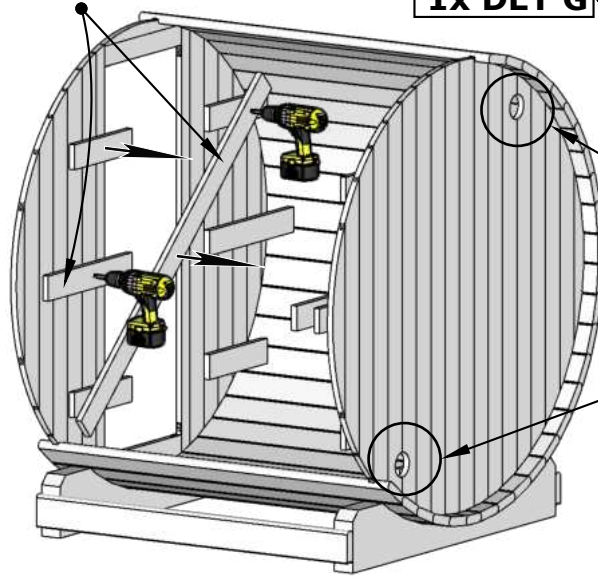
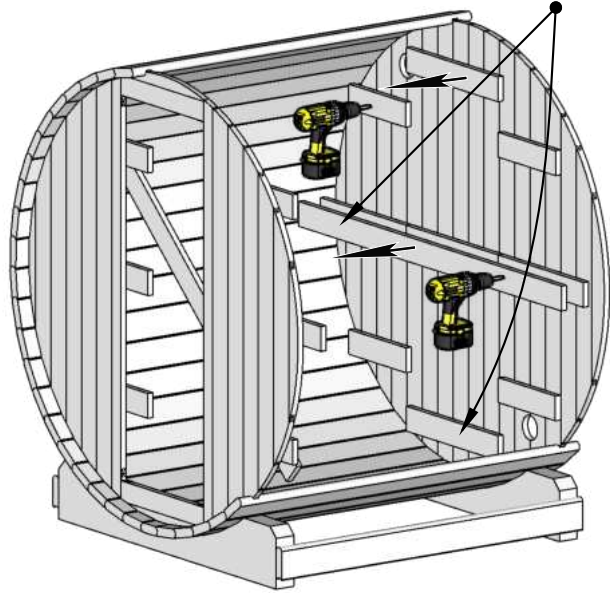
III

E7 Barrel Sauna 71D" x 81H"

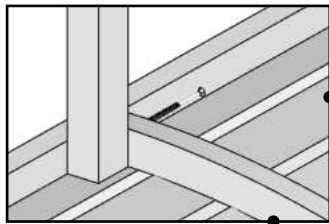
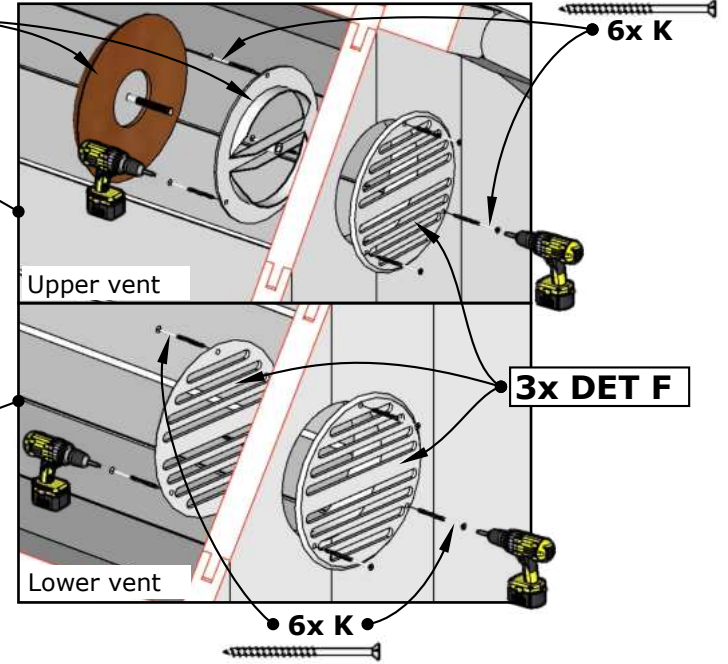


E7 Barrel Sauna 71D" x 81H"

Remove all temporary braces



1x DET G



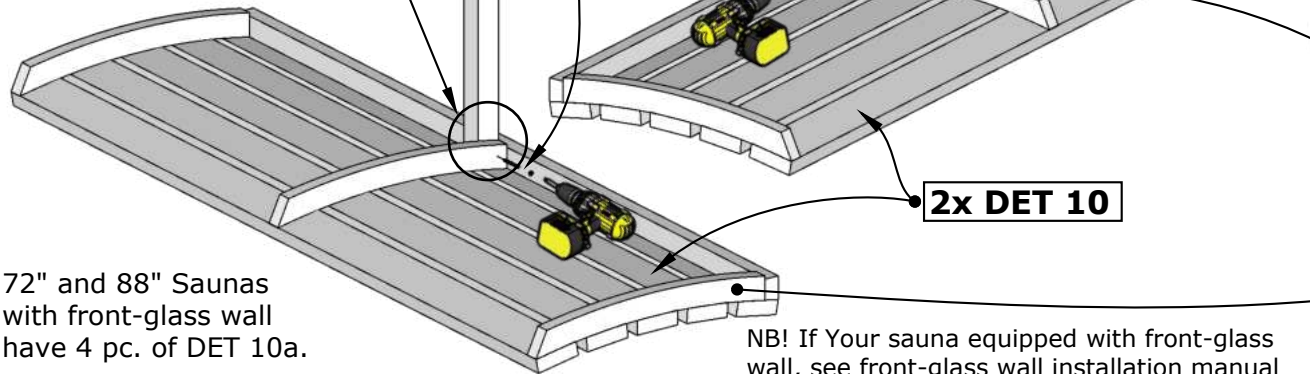
Pre-drill holes Ø5/32" before screws.

I

2x DET 10a

2x H

2x DET 10



72" and 88" Saunas with front-glass wall have 4 pc. of DET 10a.

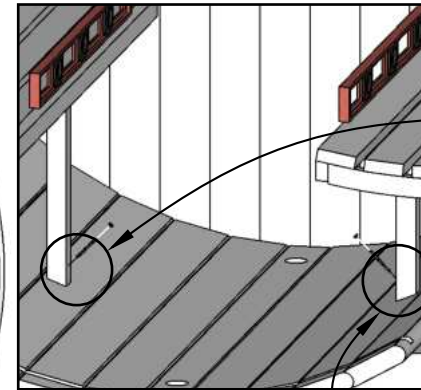
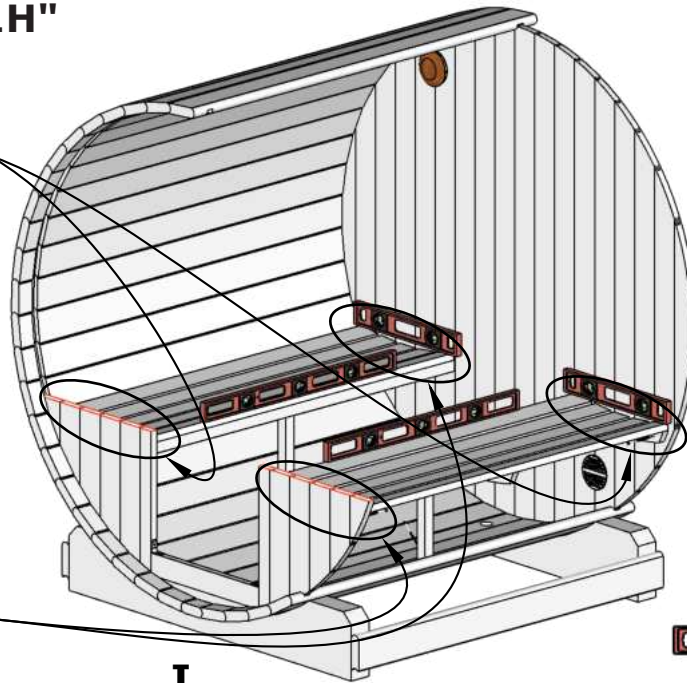
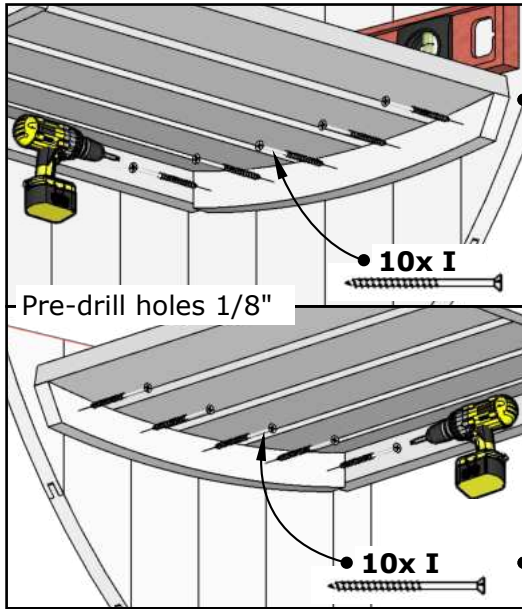
II

NB! If Your sauna equipped with front-glass wall, see front-glass wall installation manual for proper benches installation.

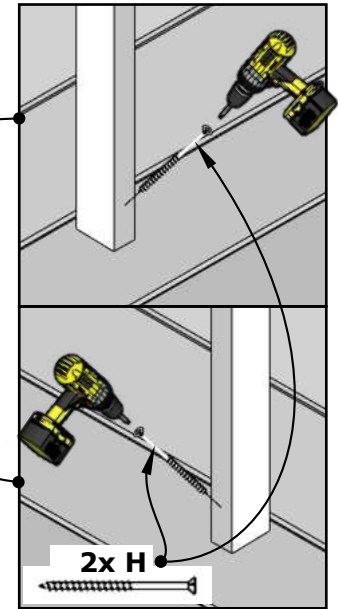
III



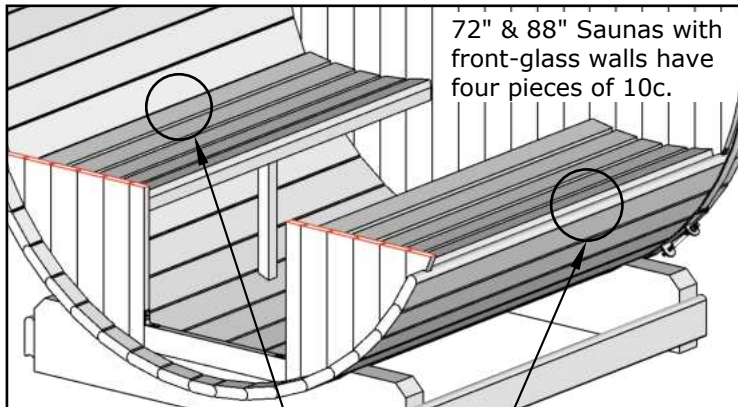
E7 Barrel Sauna 71D" x 81H"



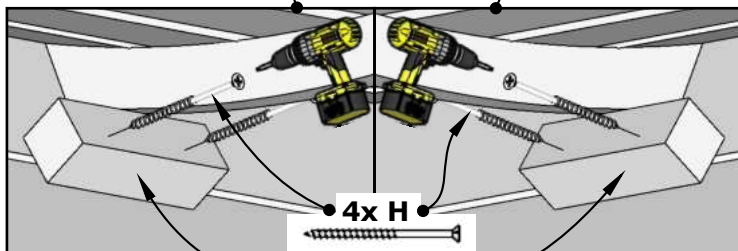
Use level for installation of benches



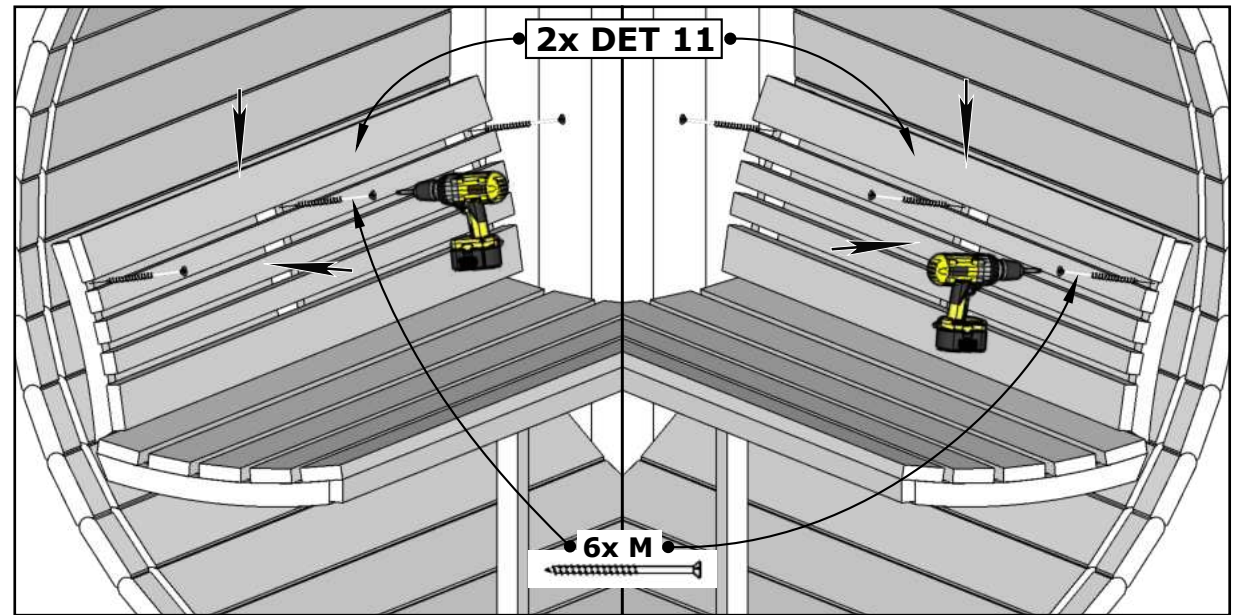
I



Under the benches

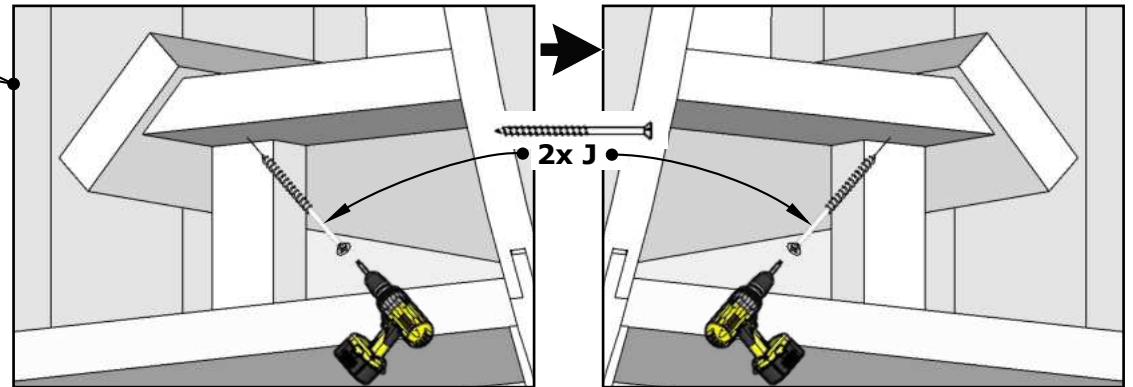
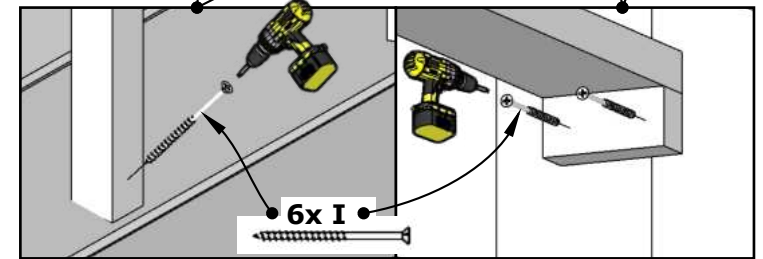
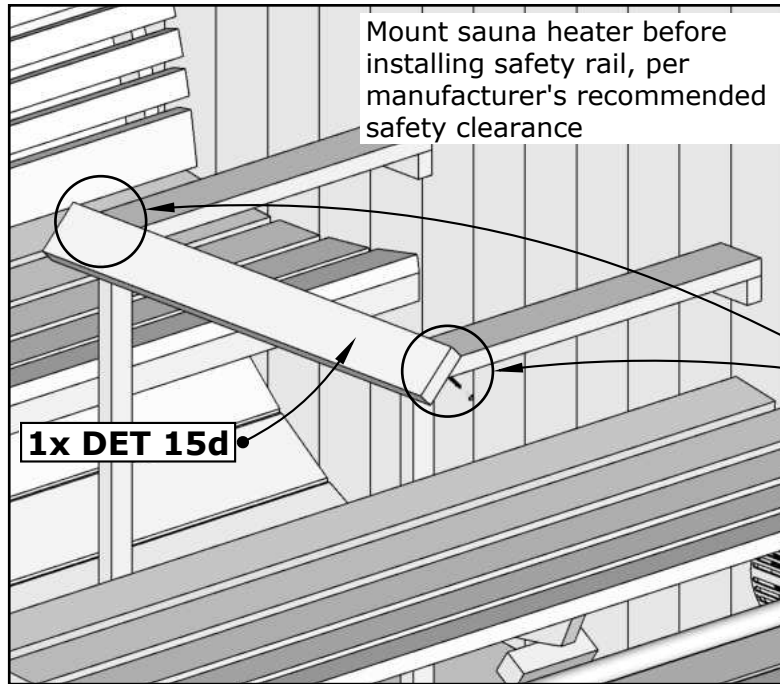
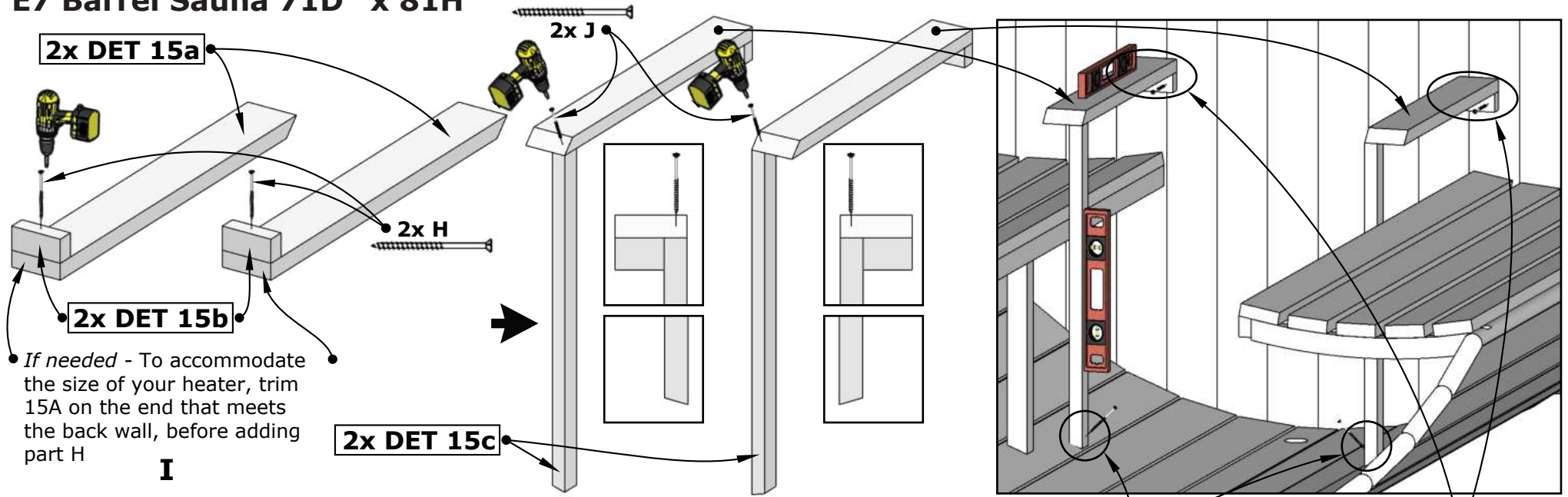


II



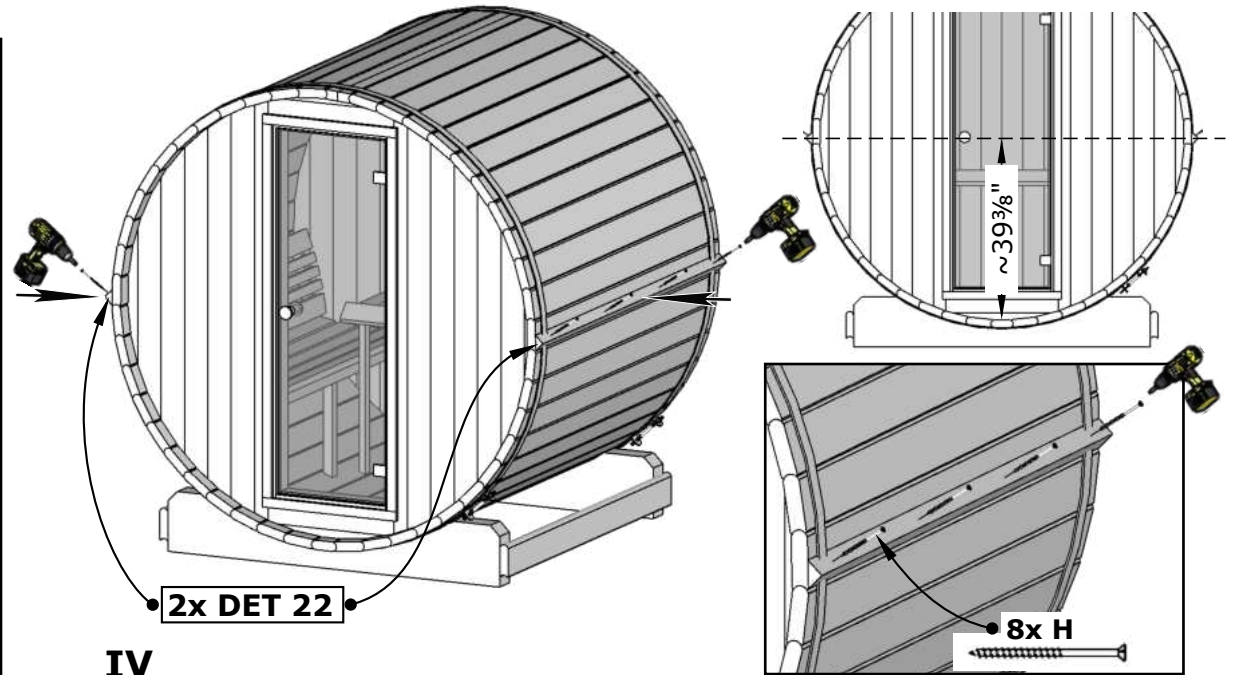
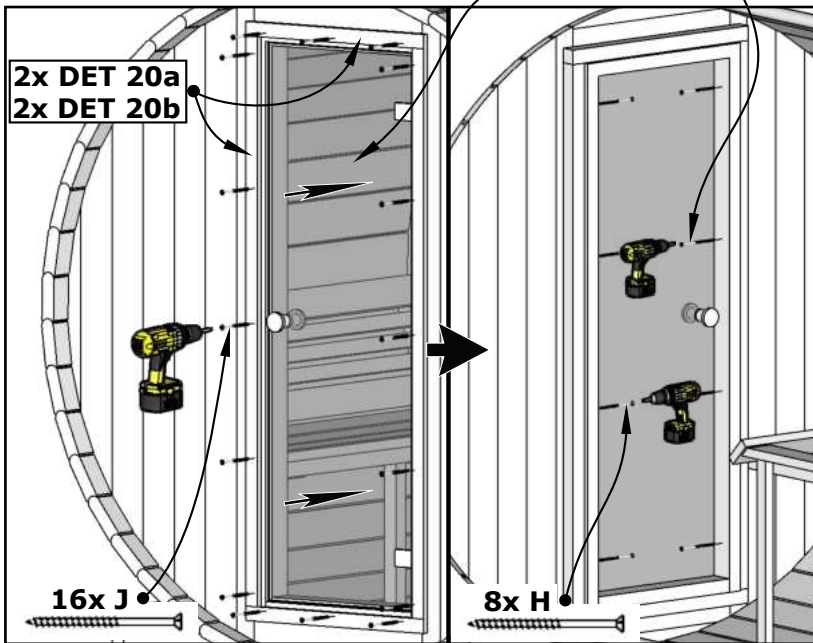
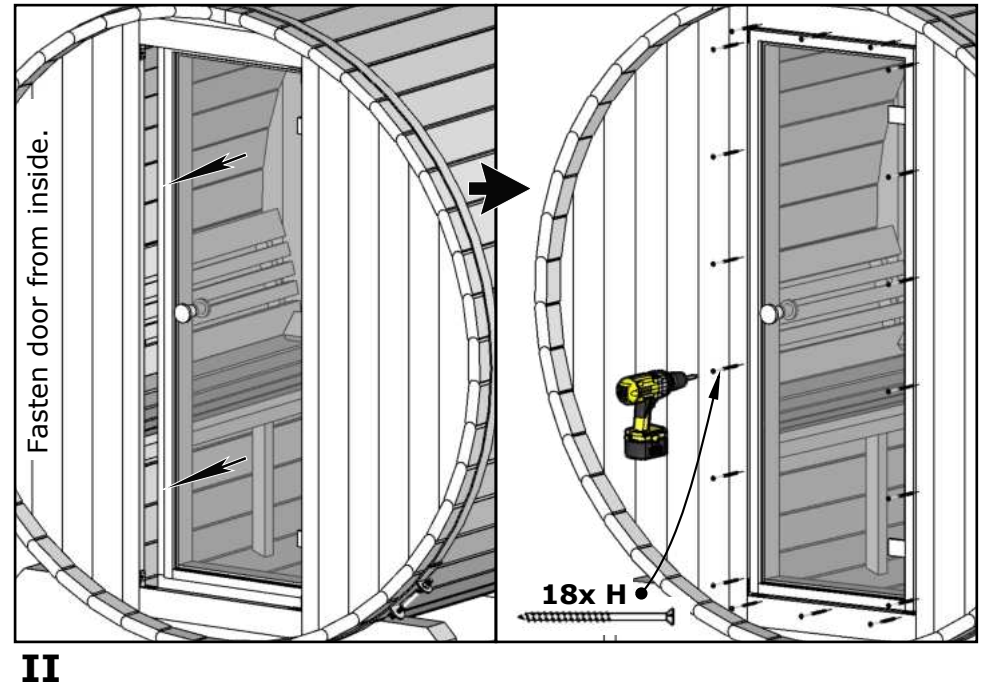
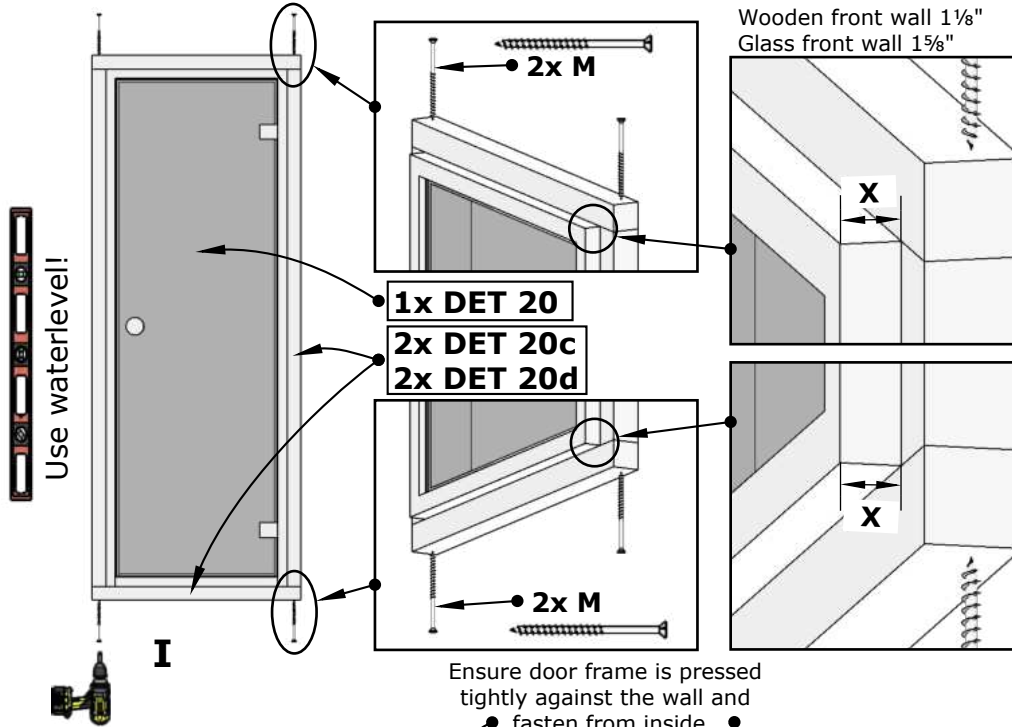
III

E7 Barrel Sauna 71D" x 81H"



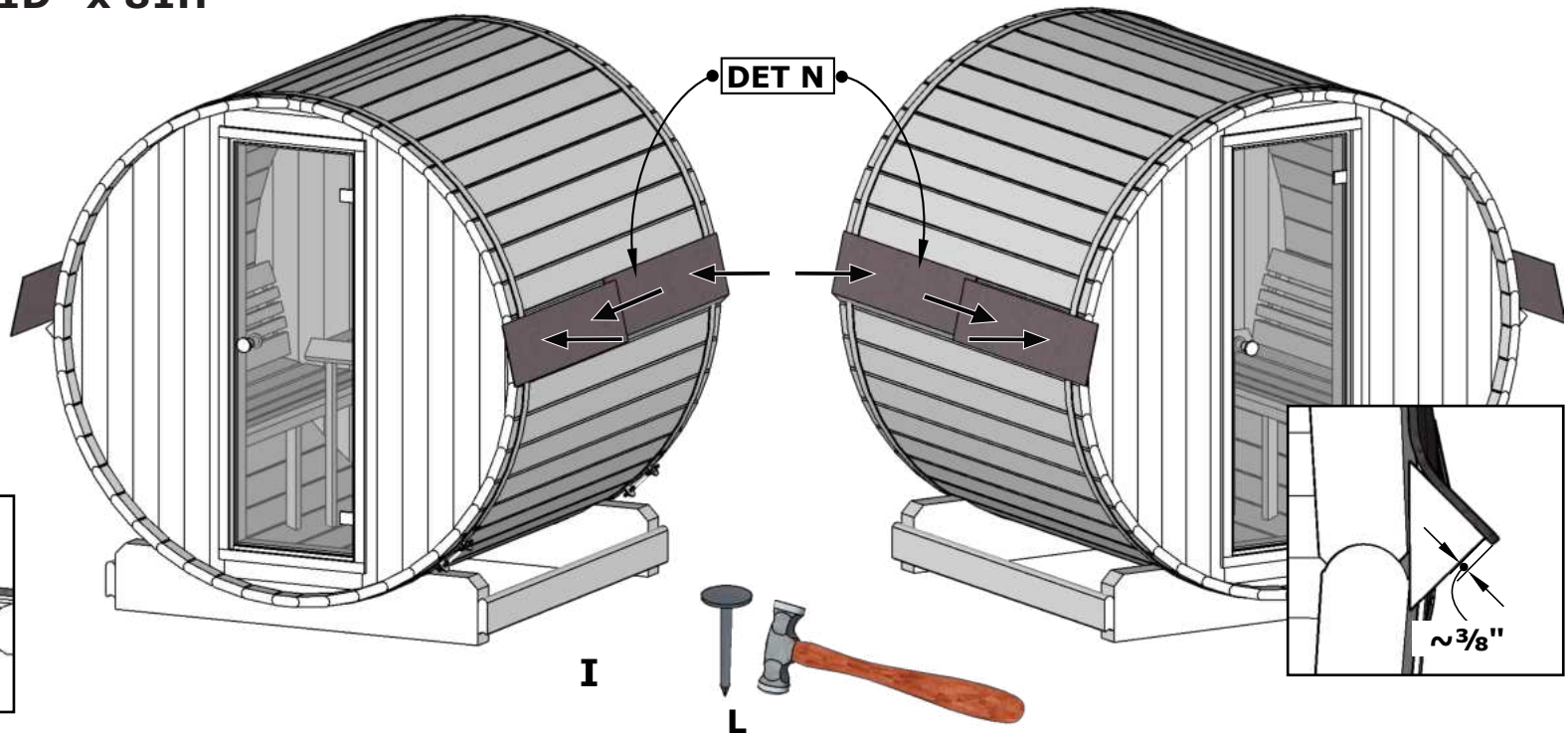
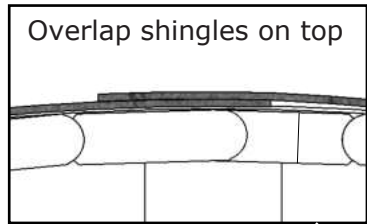
E7 Barrel Sauna 71D" x 81H"

X= Front wall thickness
 Wooden front wall 1 1/8"
 Glass front wall 1 5/8"

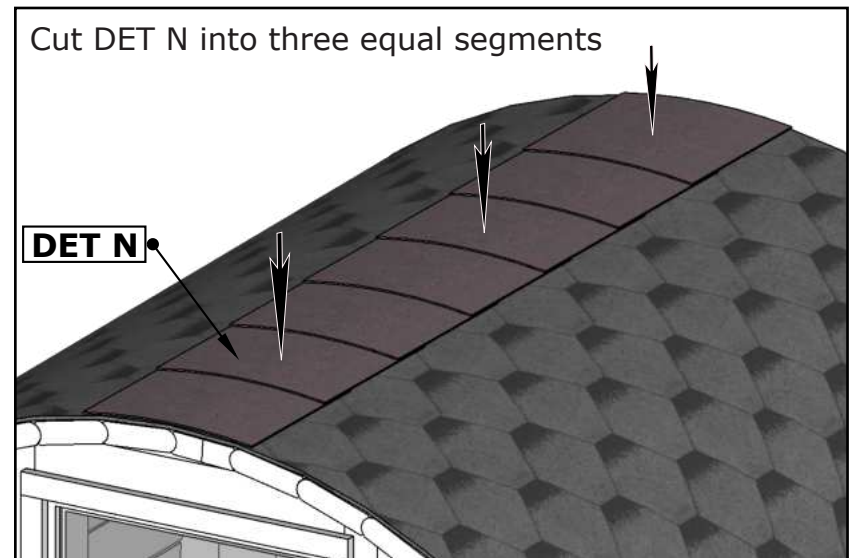
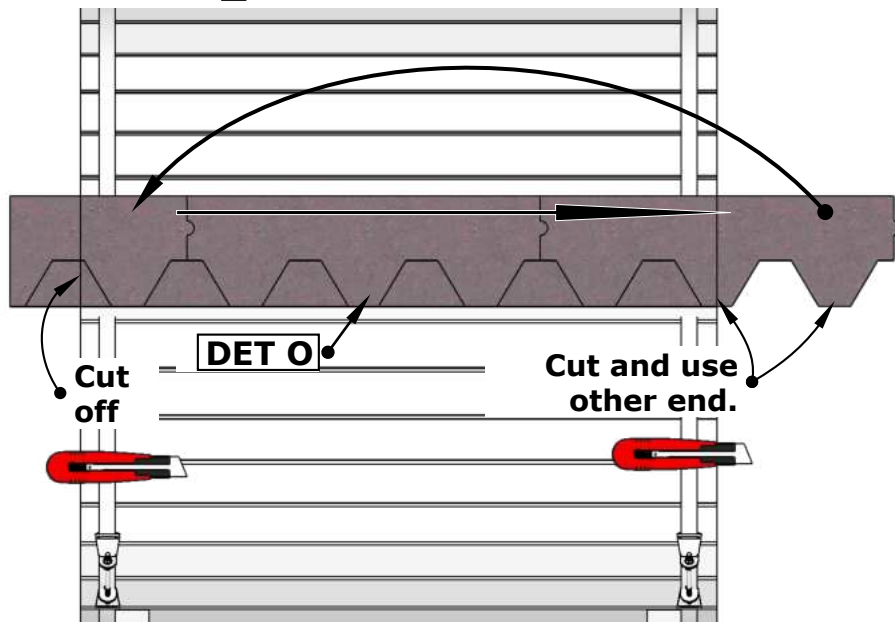


E7 Barrel Sauna 71D" x 81H"

See the installation manual inside the shingles package



Check also roof shingles installation manual inside package.



E7 Barrel Sauna 71D" x 81H"

