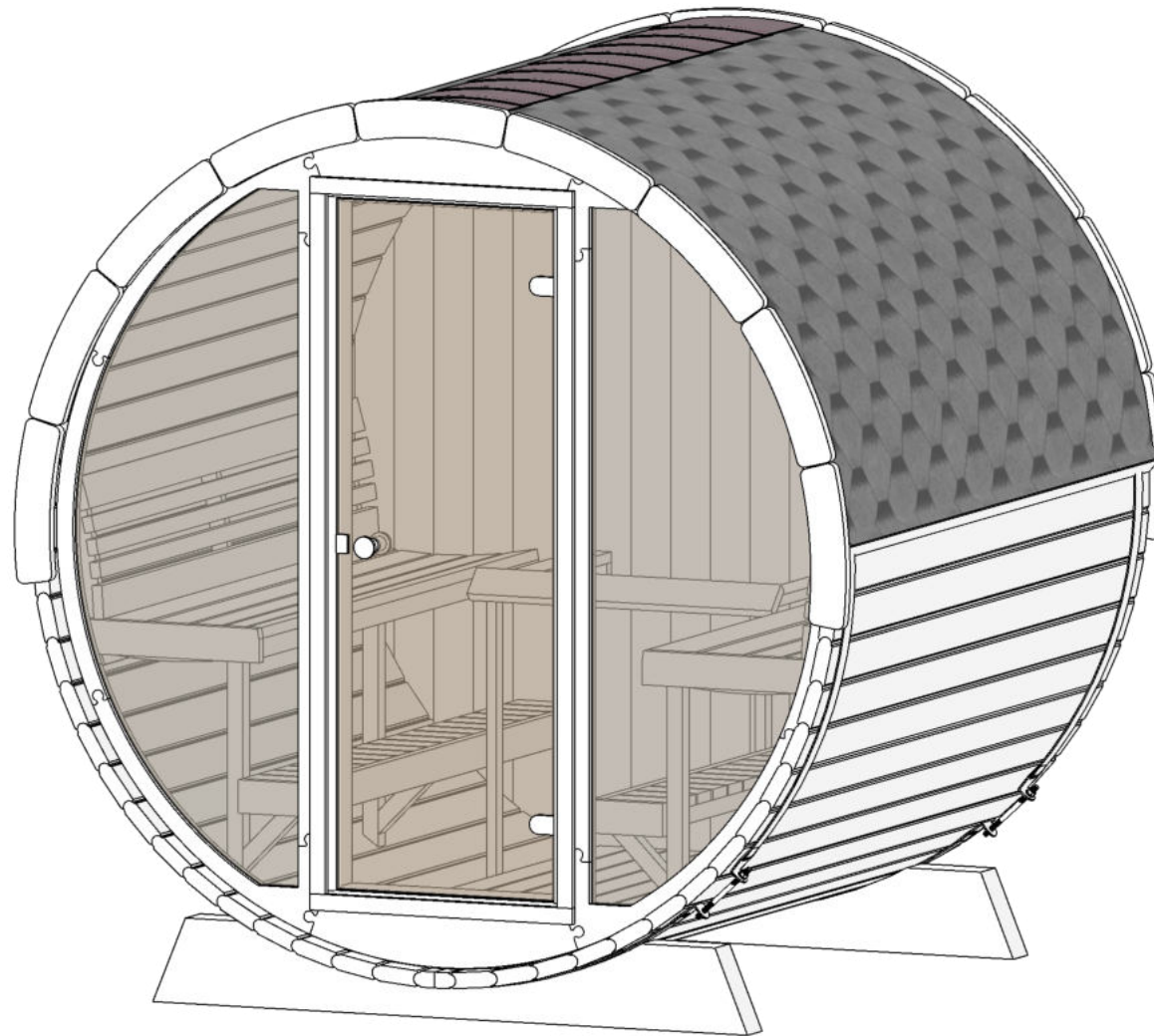




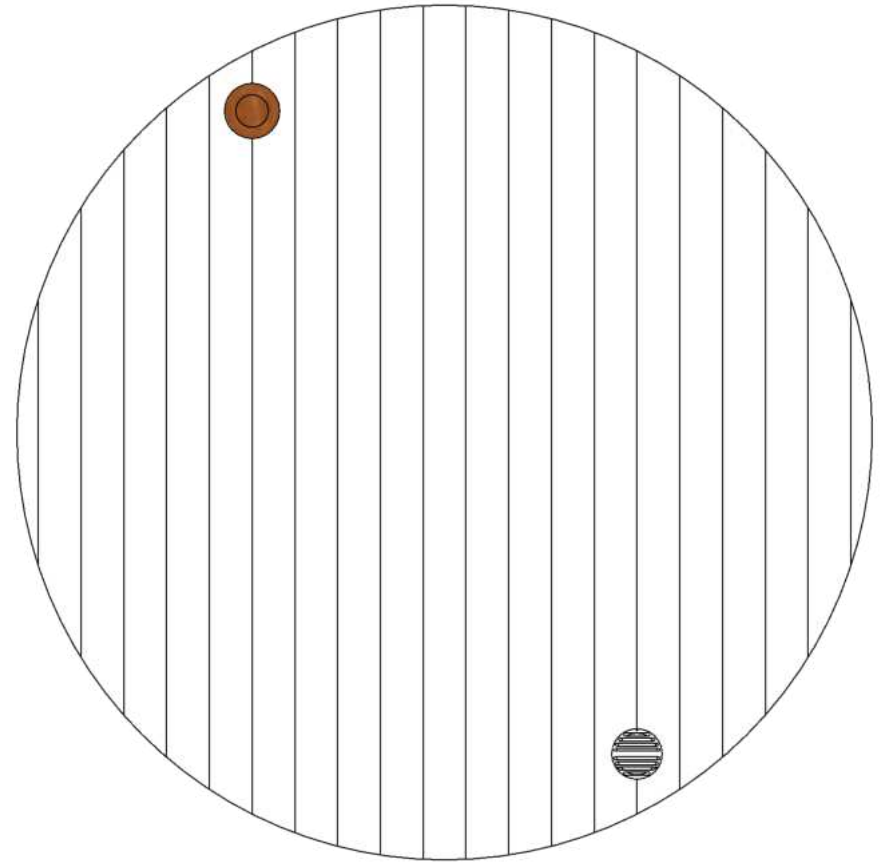
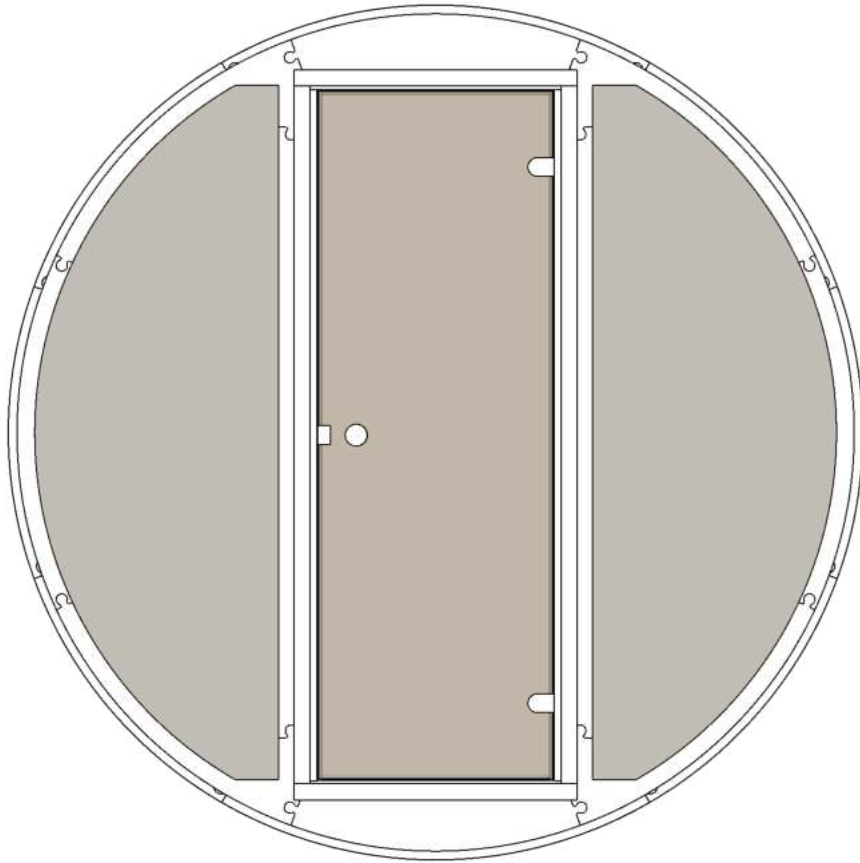
Ergo-Series EE8G Barrel Sauna
Full Glass Front 79D" x 90H"



Note: Please read manual before construction

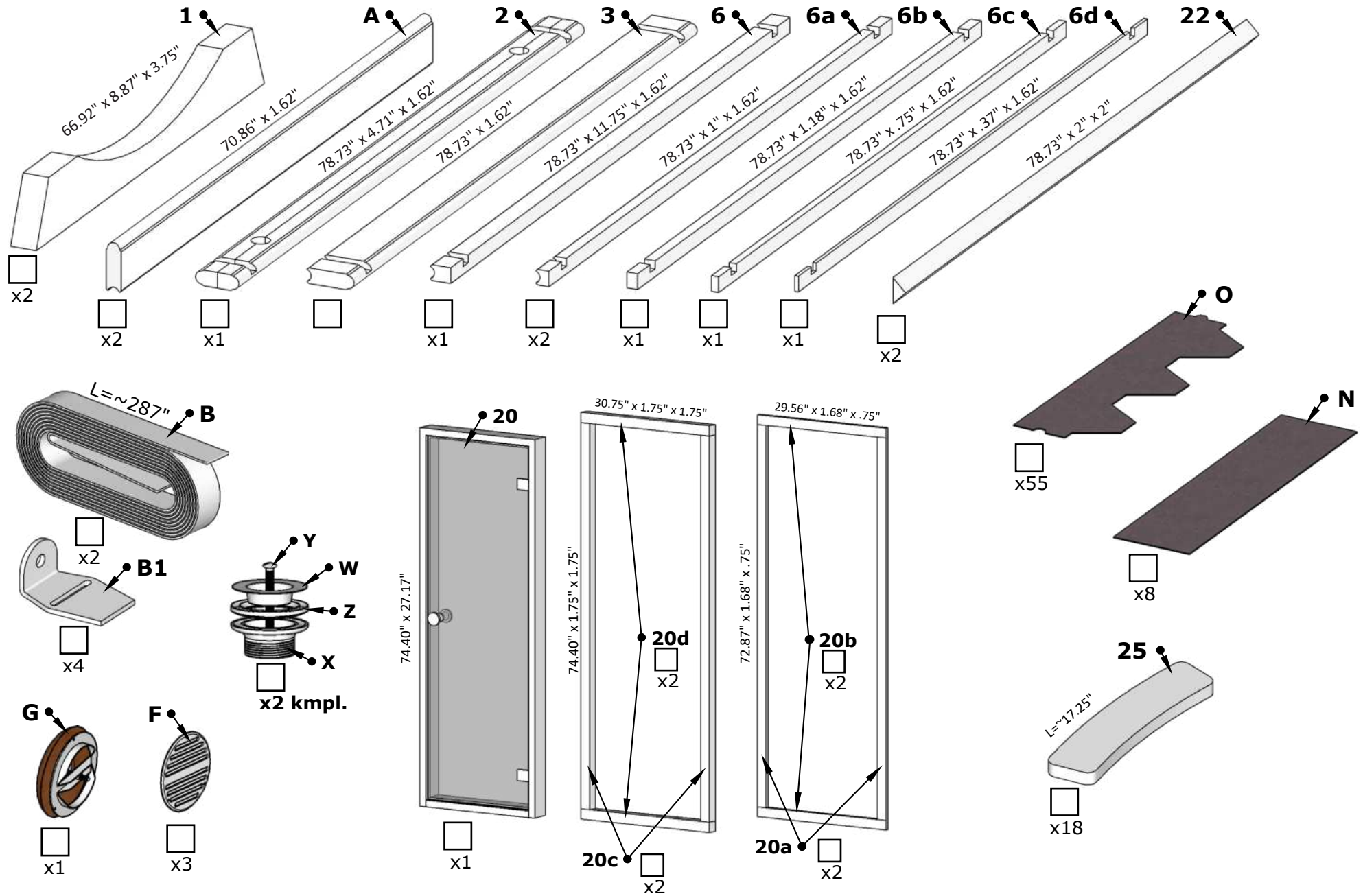
Rev: (1.0)7/2023

Front & Back Walls



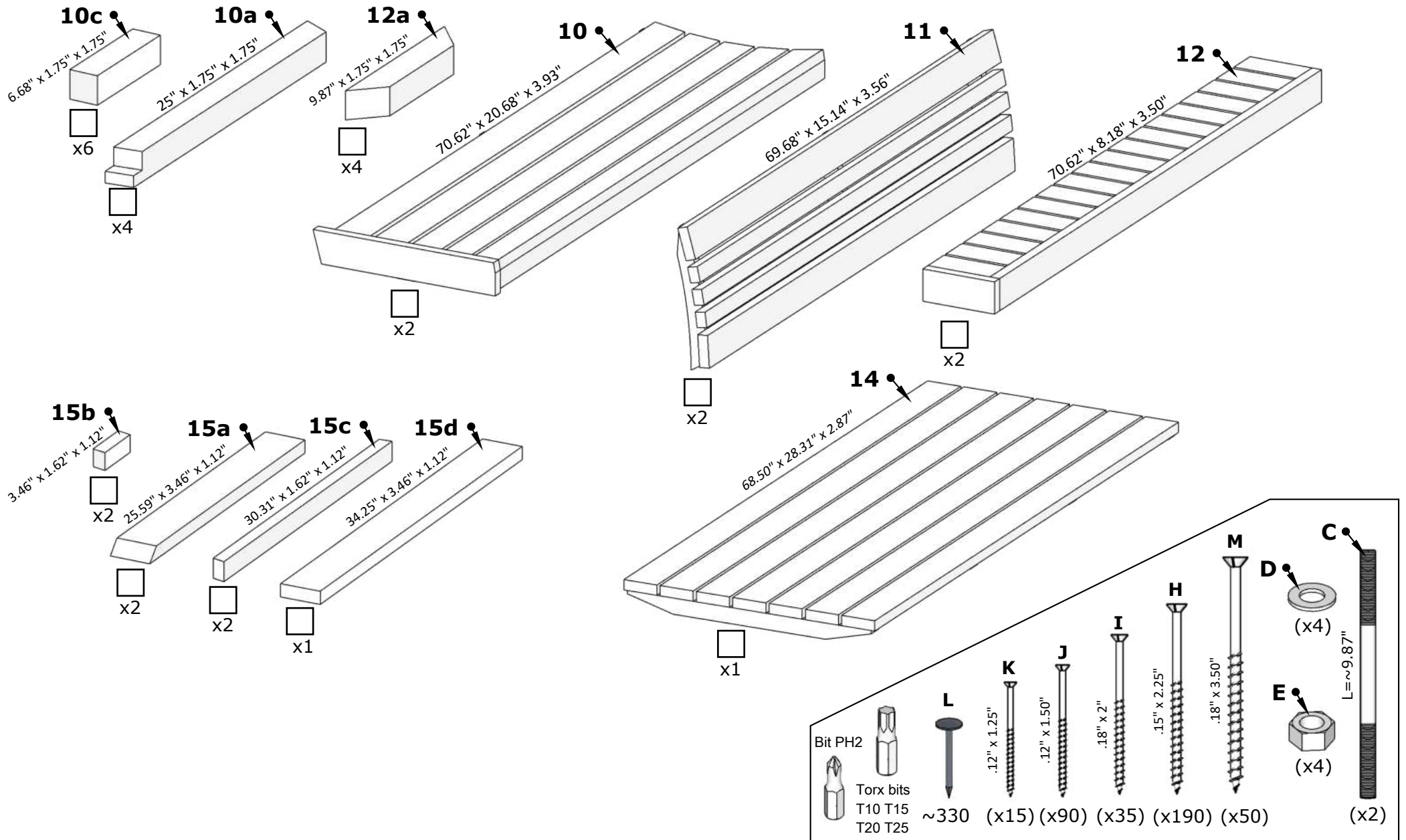
EE8G Barrel Sauna 79D" x 90H"

Details list. 1



EE8G Barrel Sauna 79D" x 90H"

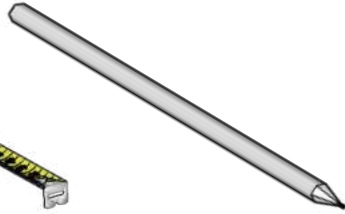
Details list. 2



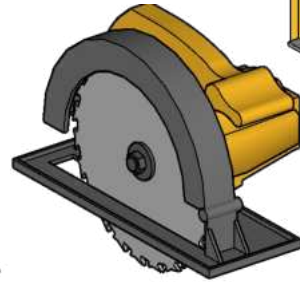
Tools needed



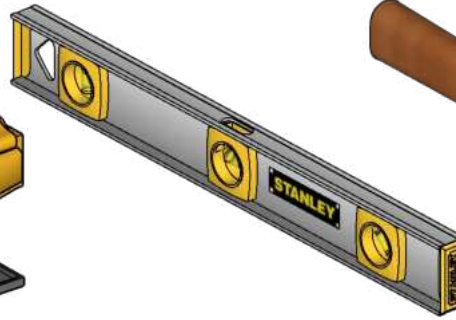
Measuring tape



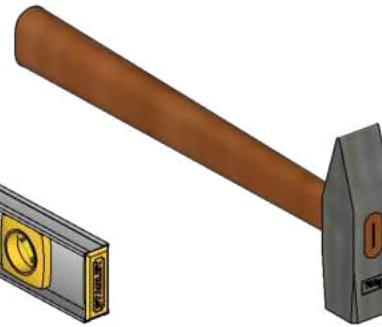
Marker pen



Circular saw



Water level



Hammer



Extra hands



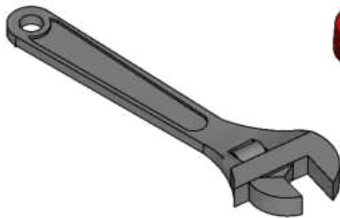
Ratchet strap



Silicone gun
(Only glass-wall models)



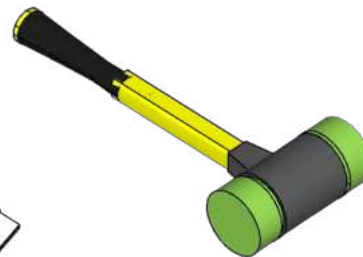
Drill



Crescent wrench

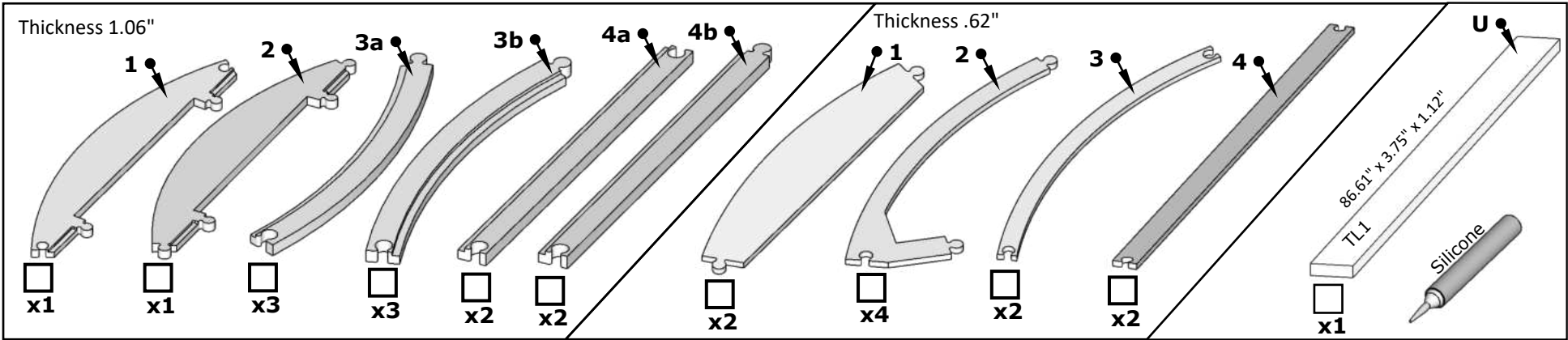


Utility knife

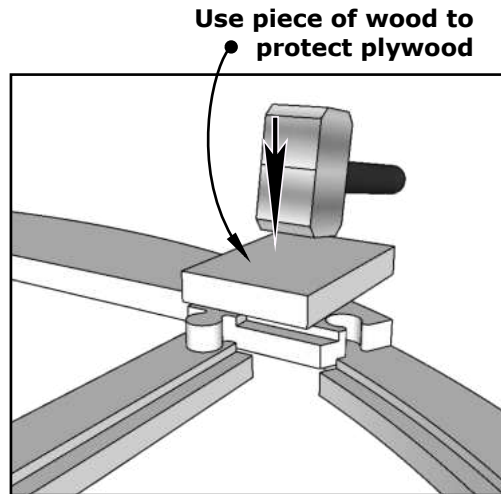
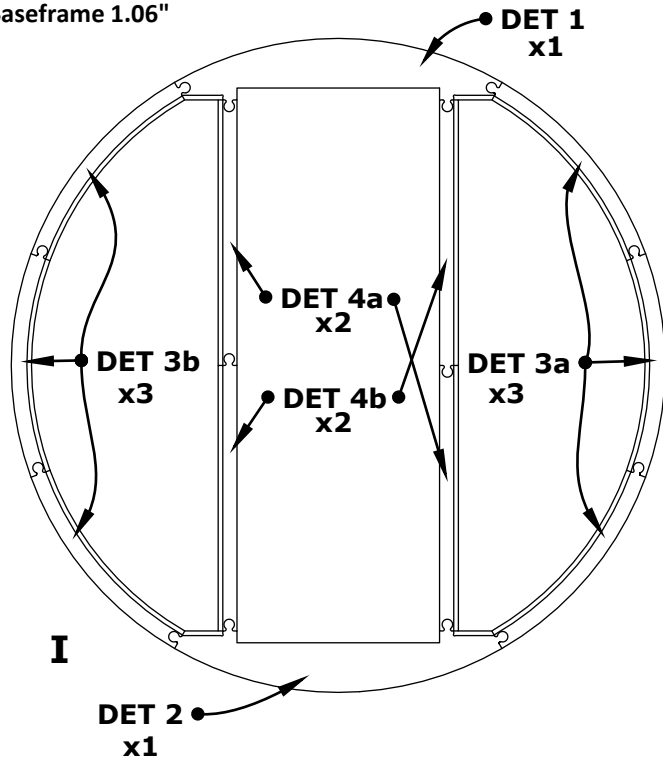


Rubber mallet

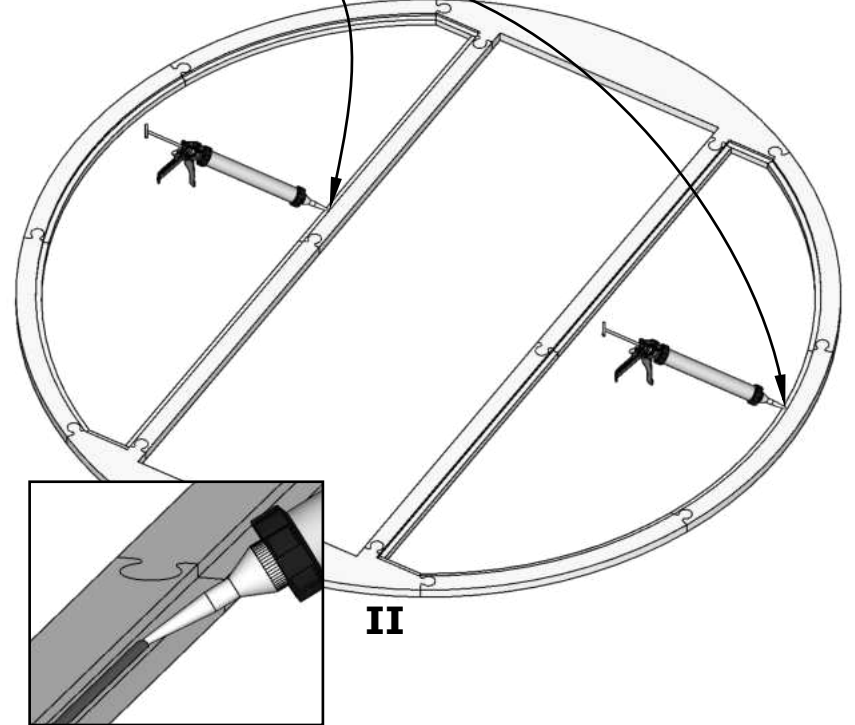
Front glass wall installation



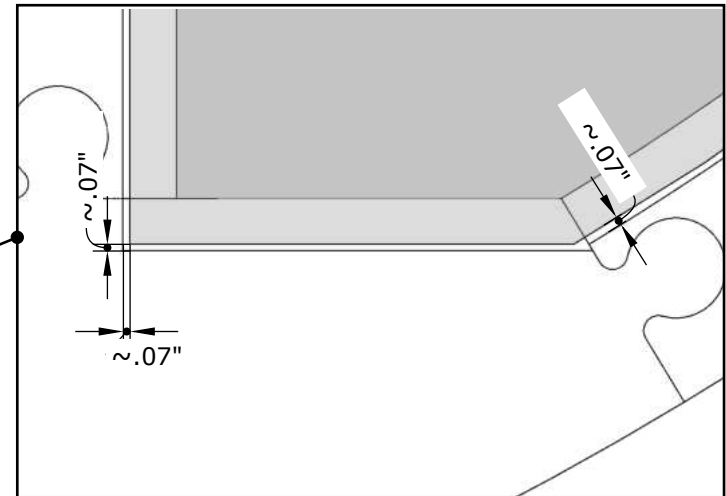
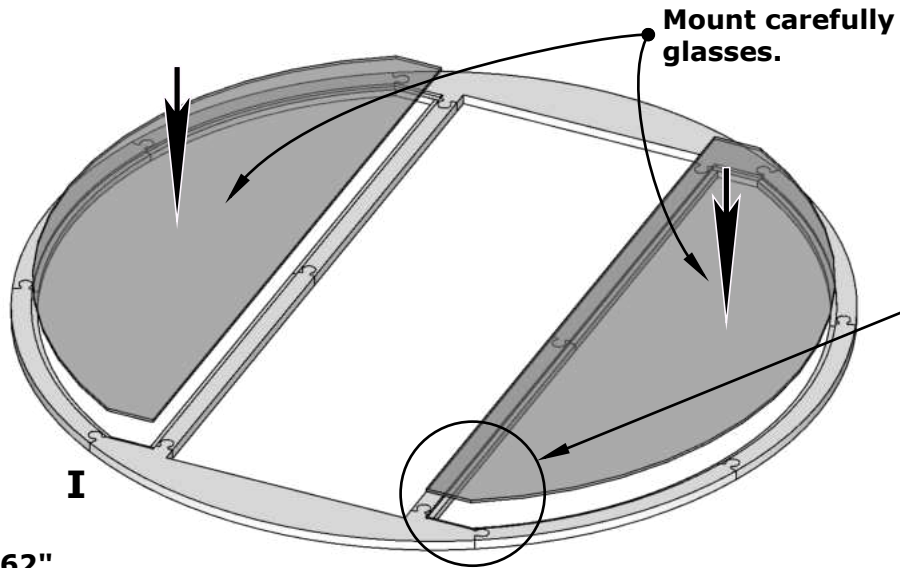
Baseframe 1.06"



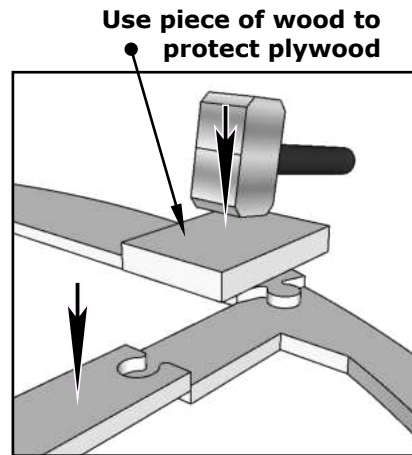
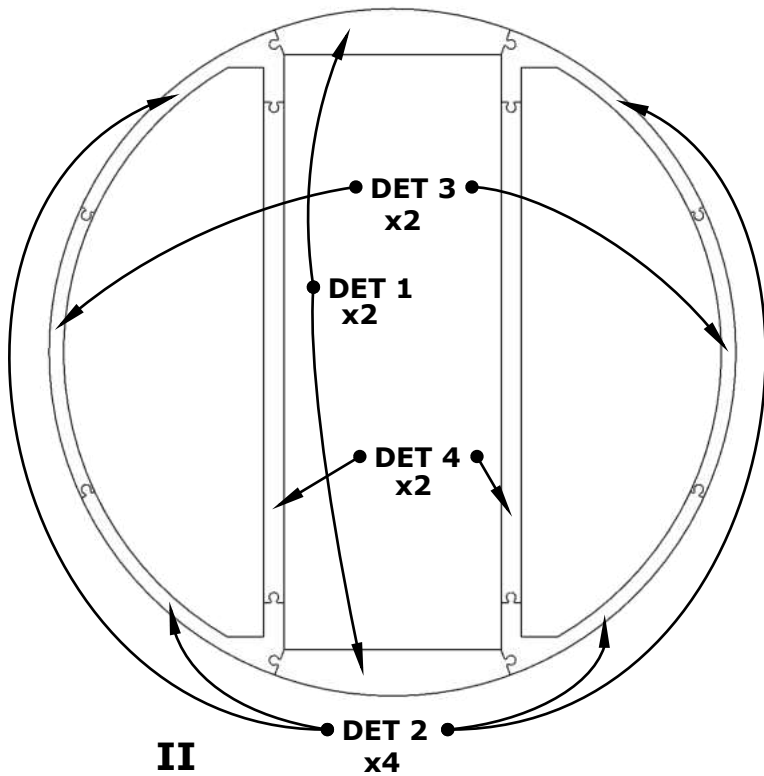
Apply waterproof silicone to the groove



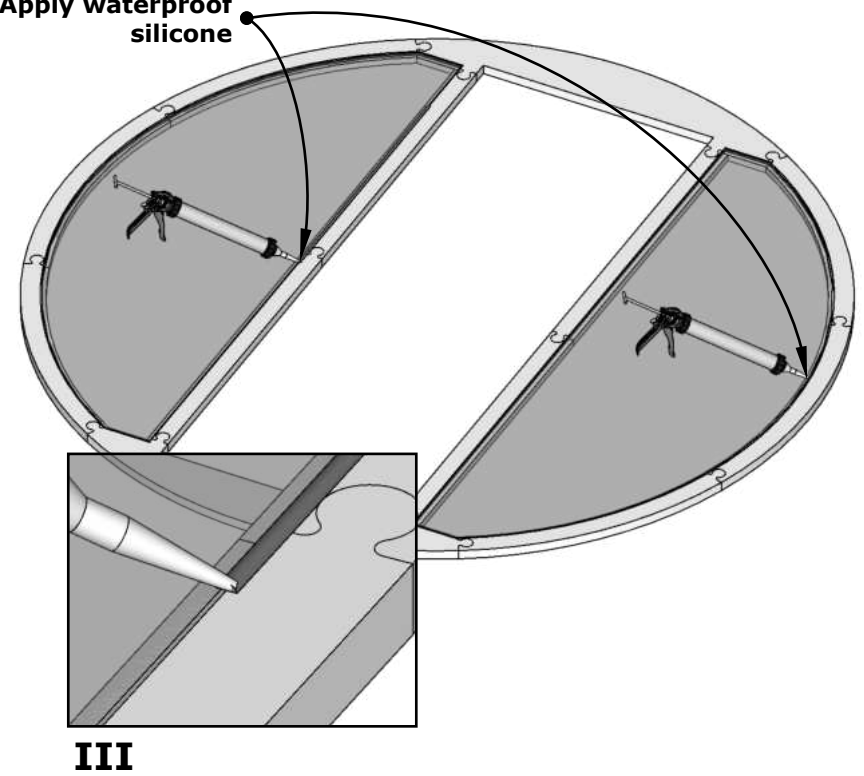
Front glass wall installation

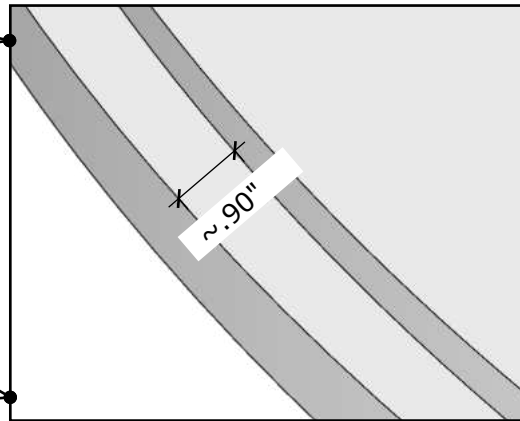
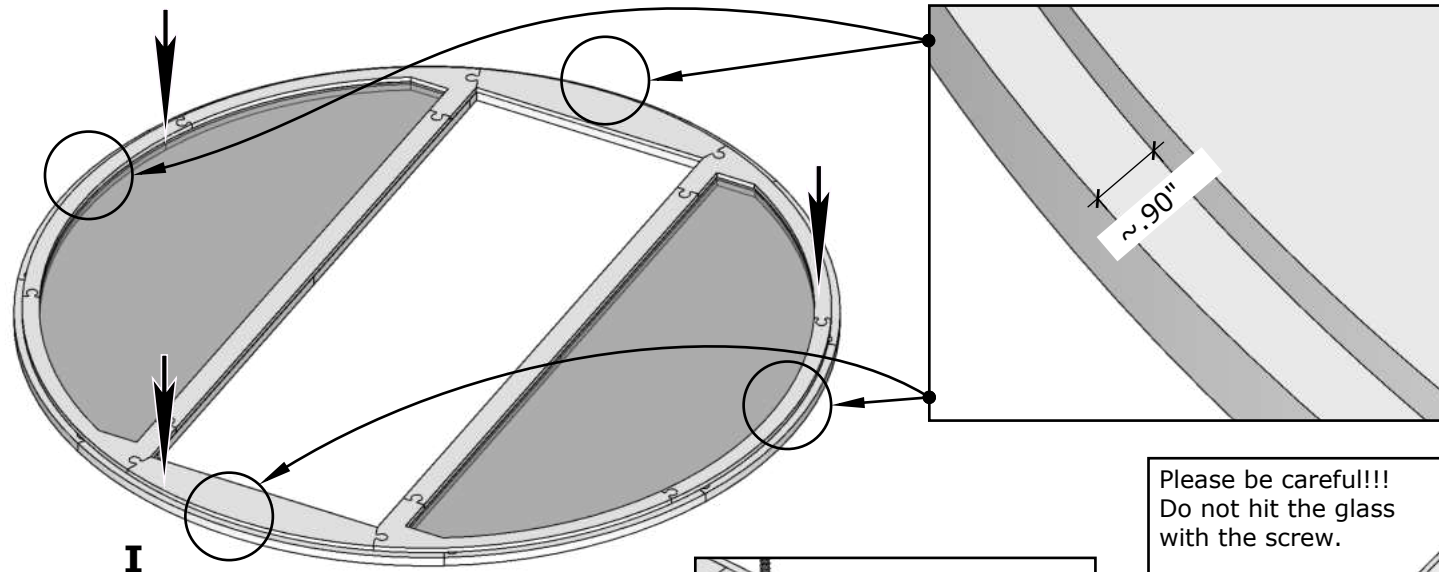


Coverframe .62"



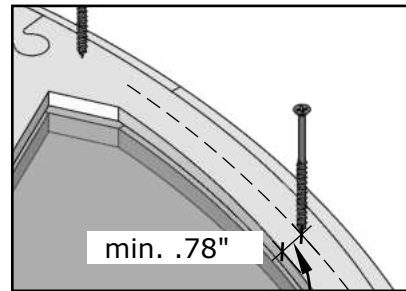
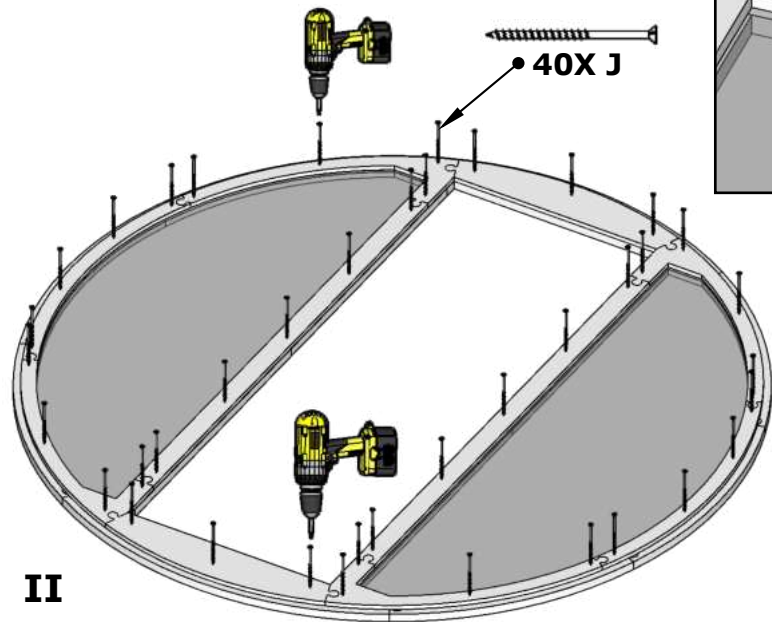
Apply waterproof silicone





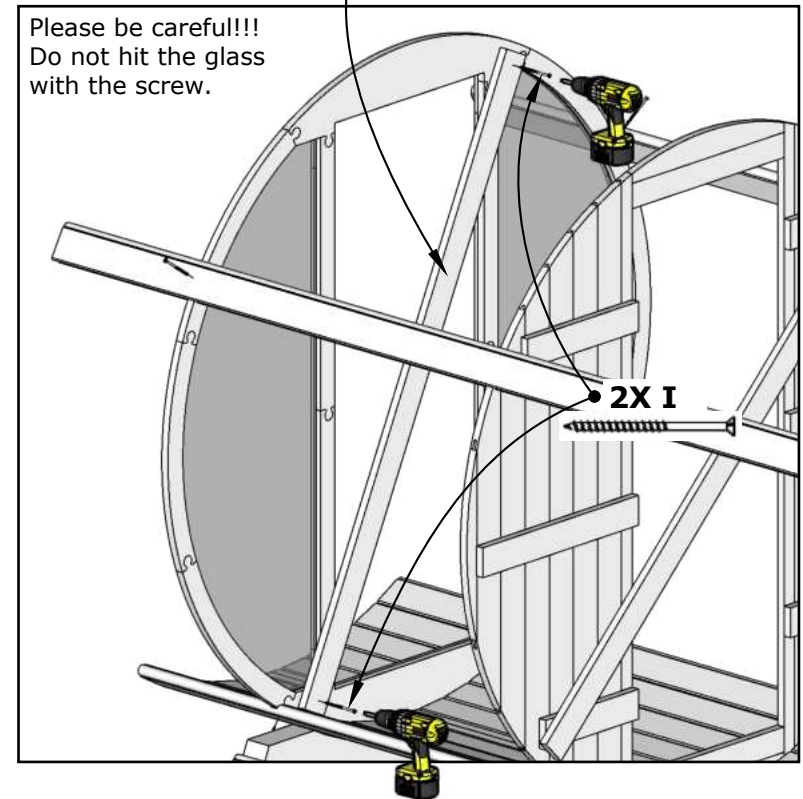
DET U
• Fix it diagonally to make wall more rigid during the installation.

I



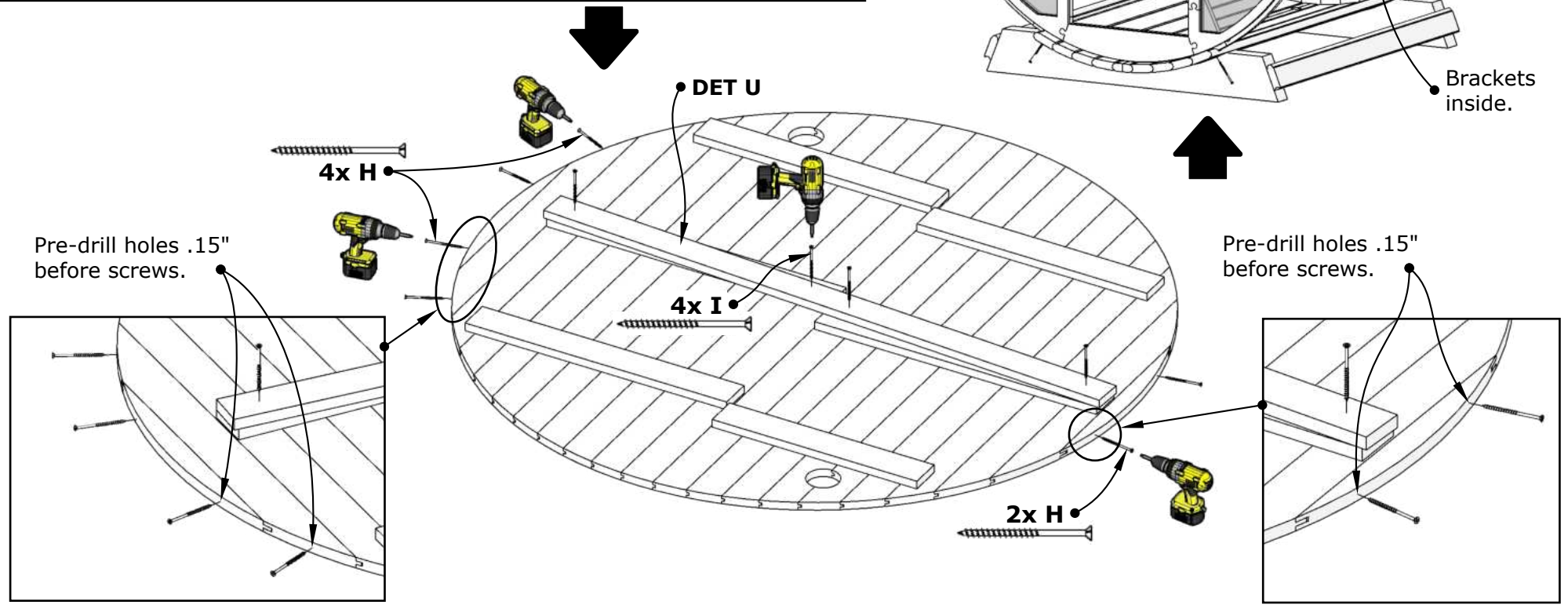
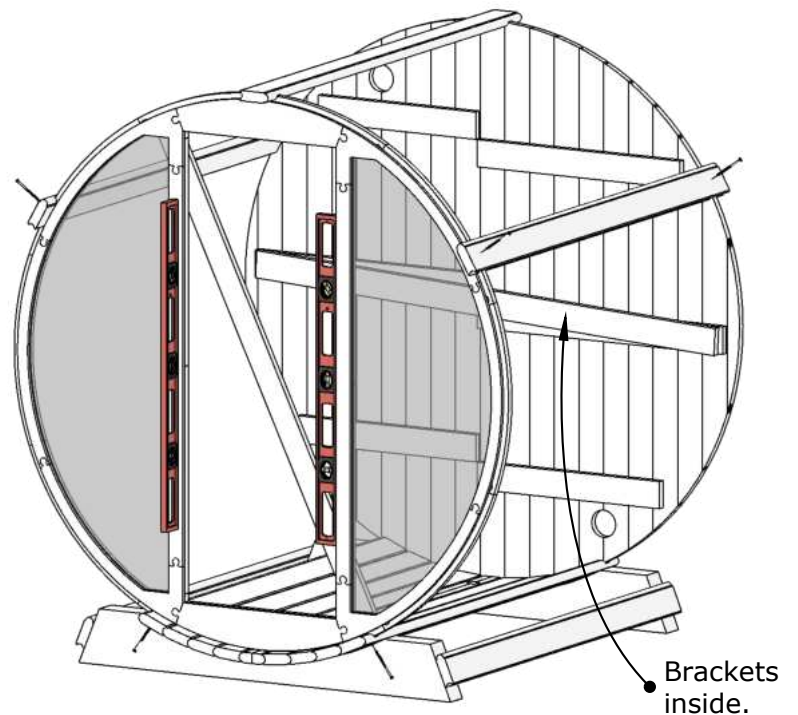
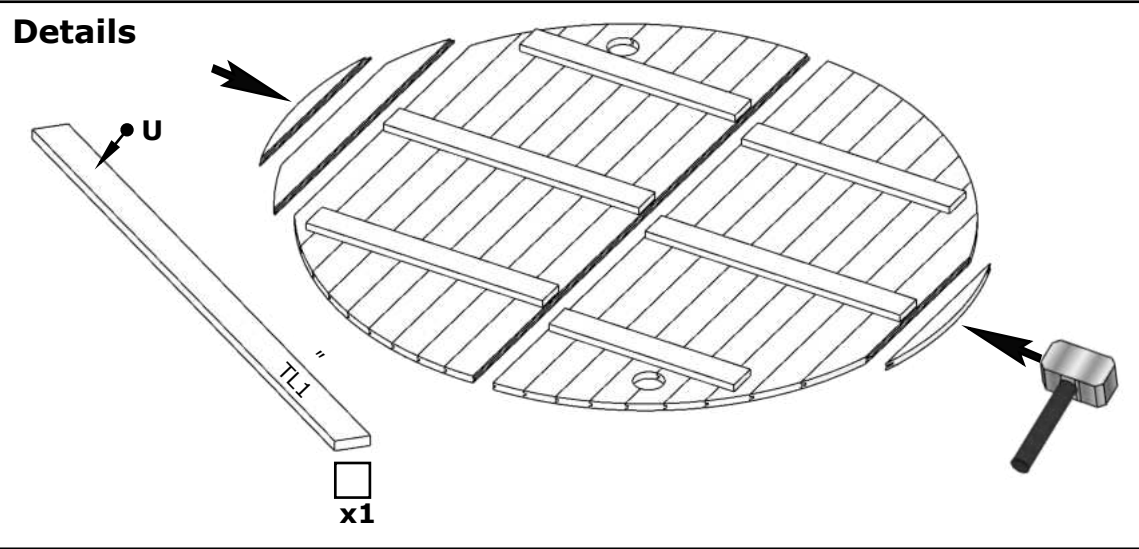
Please be careful!!!
Do not hit the glass
with the screw.

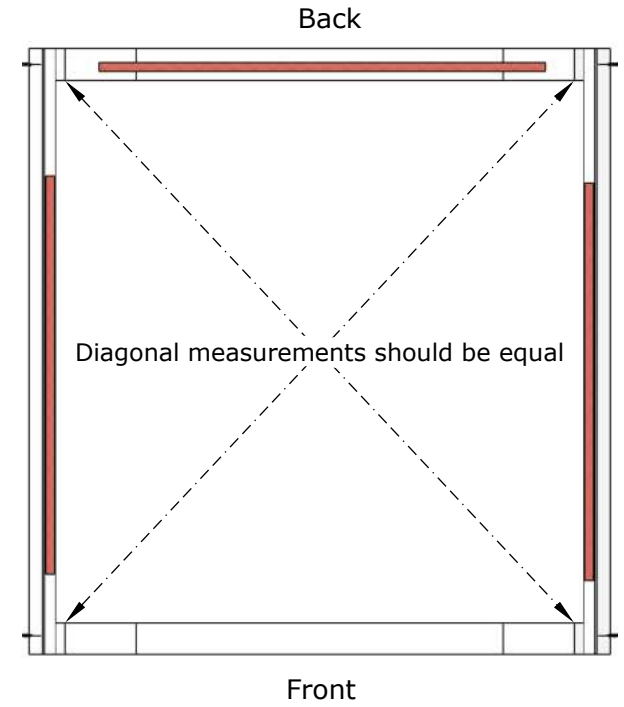
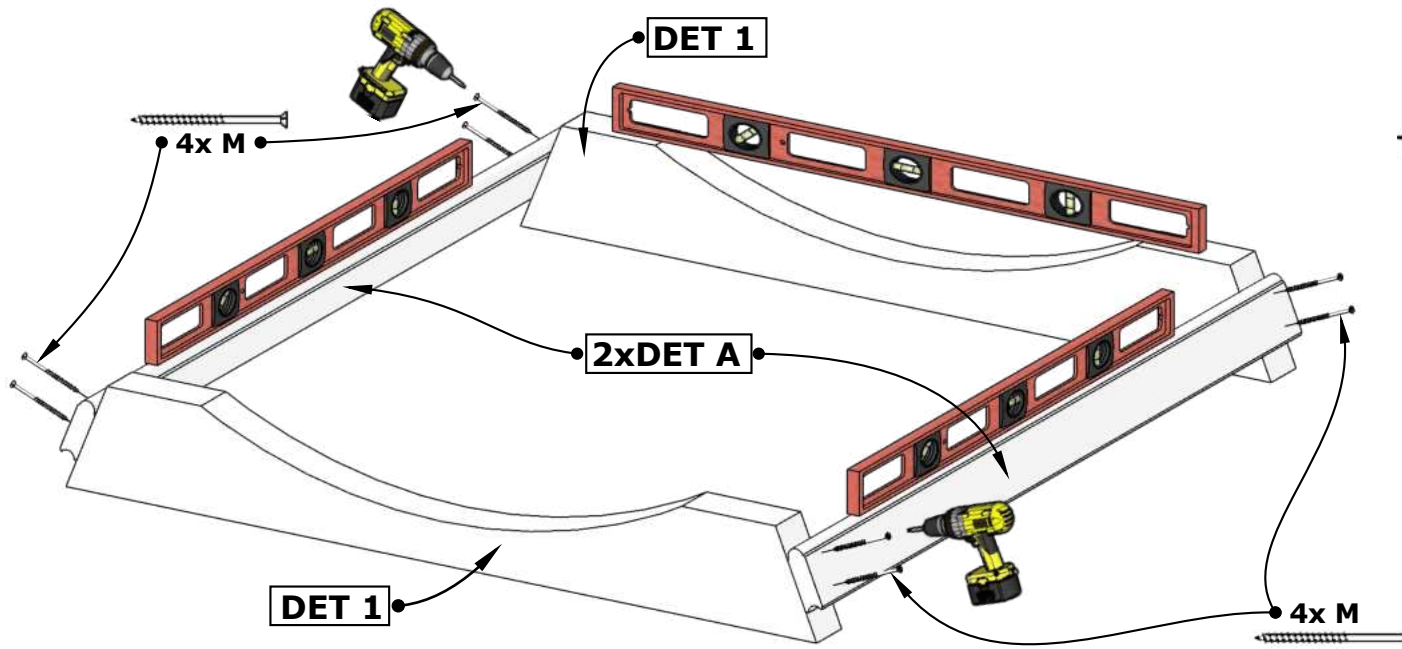
II



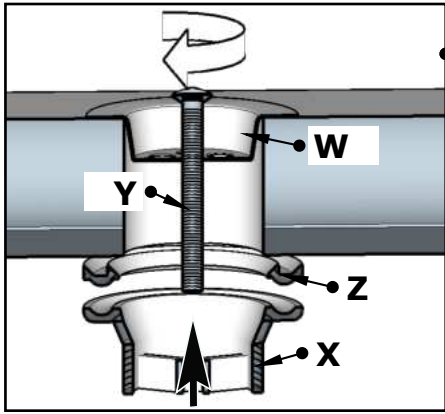
III

Wooden back wall assembly

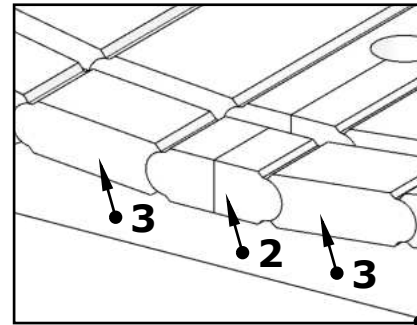
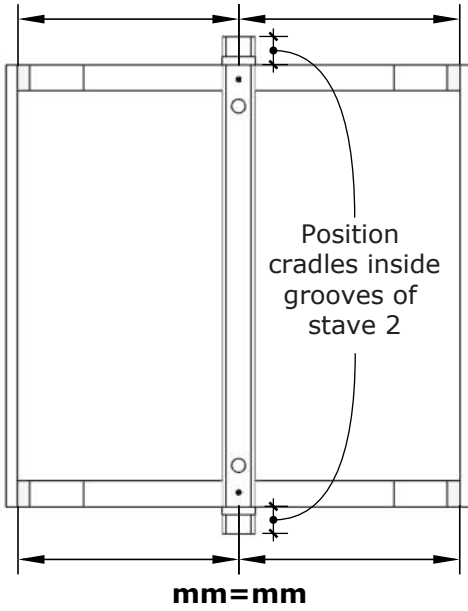
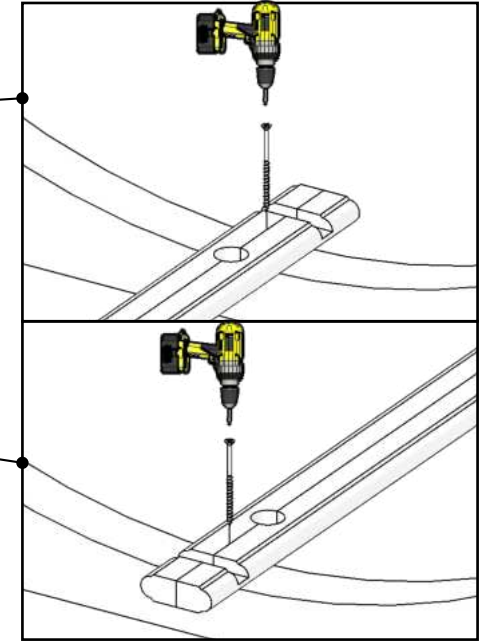
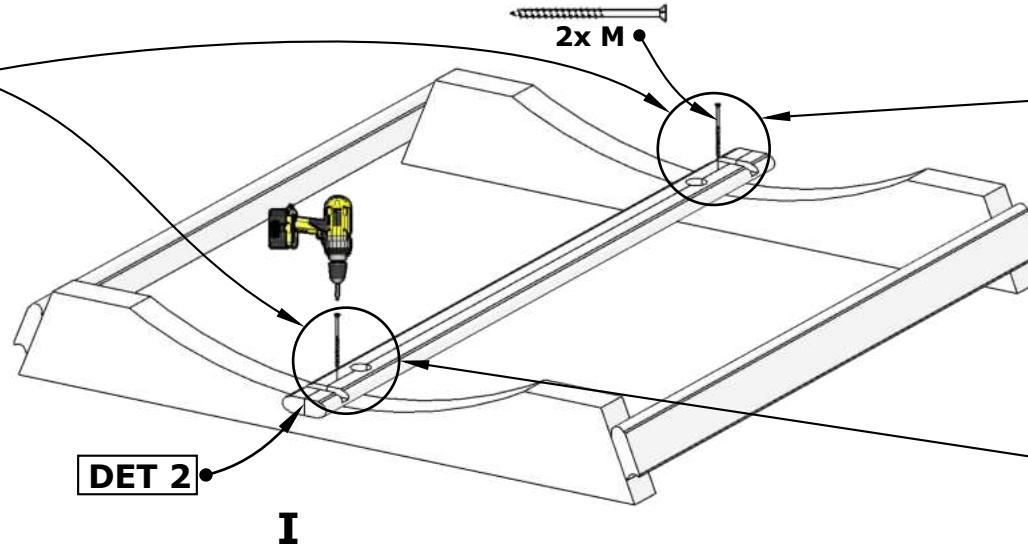




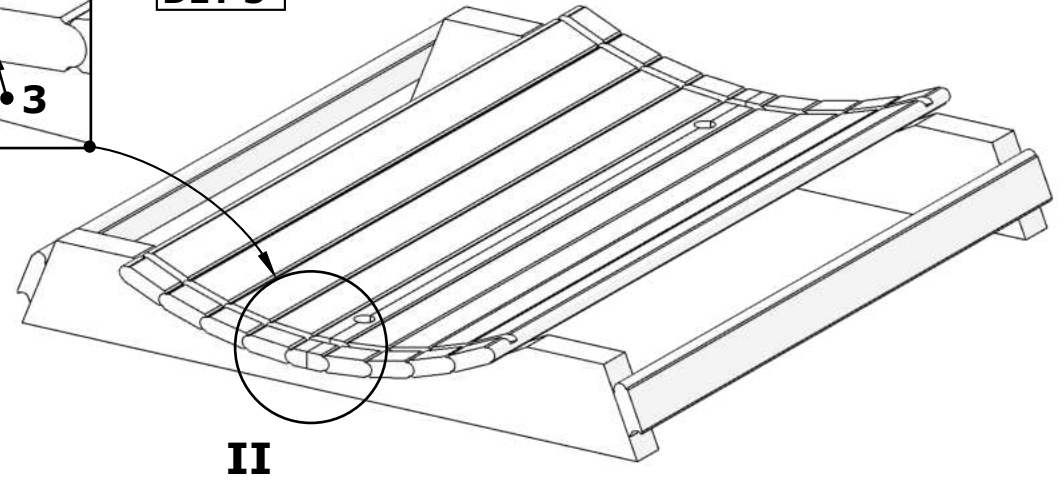
EE8G Barrel Sauna 79D" x 90H"

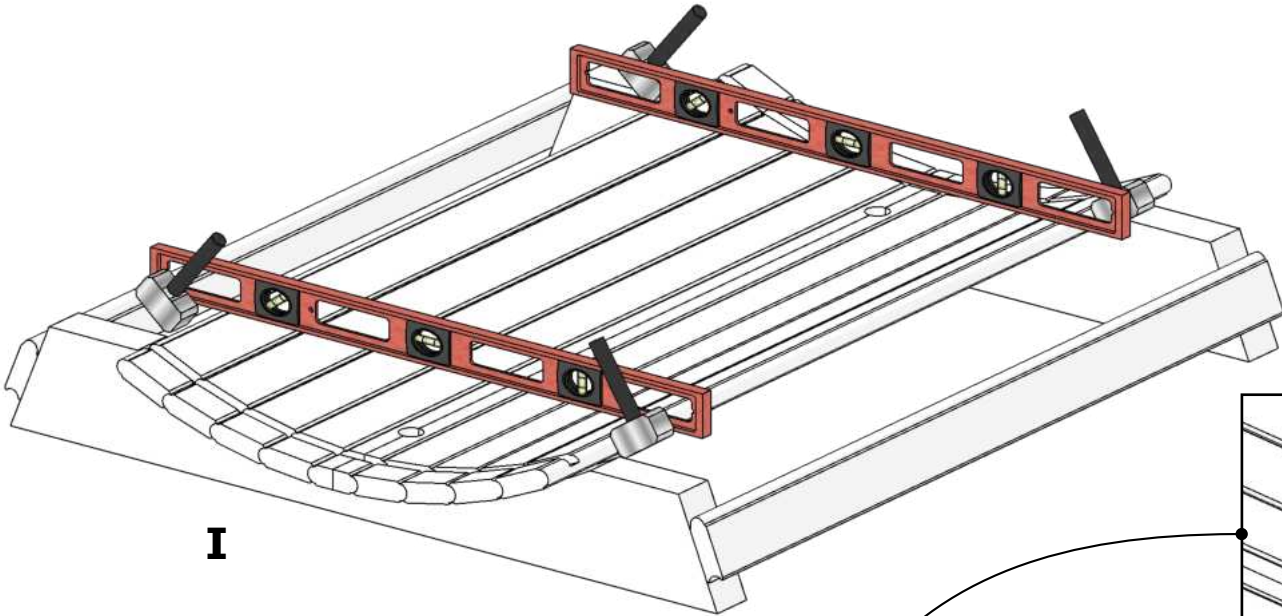


Center stave 2 on cradle 1

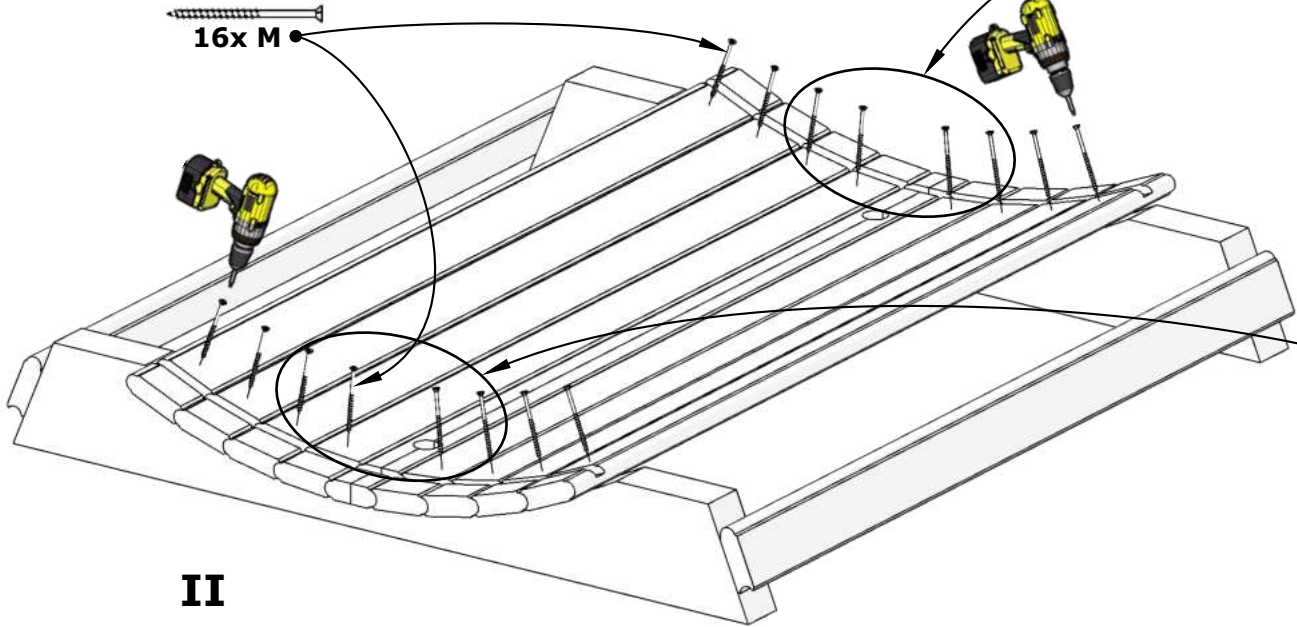


DET 3

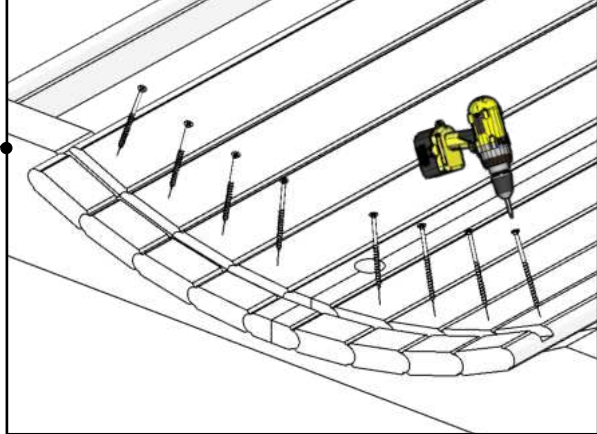
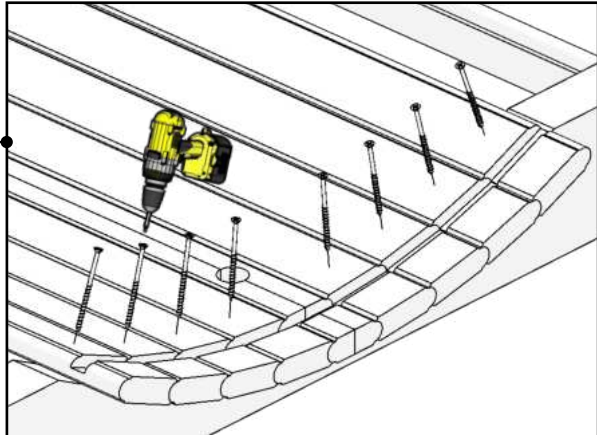




I

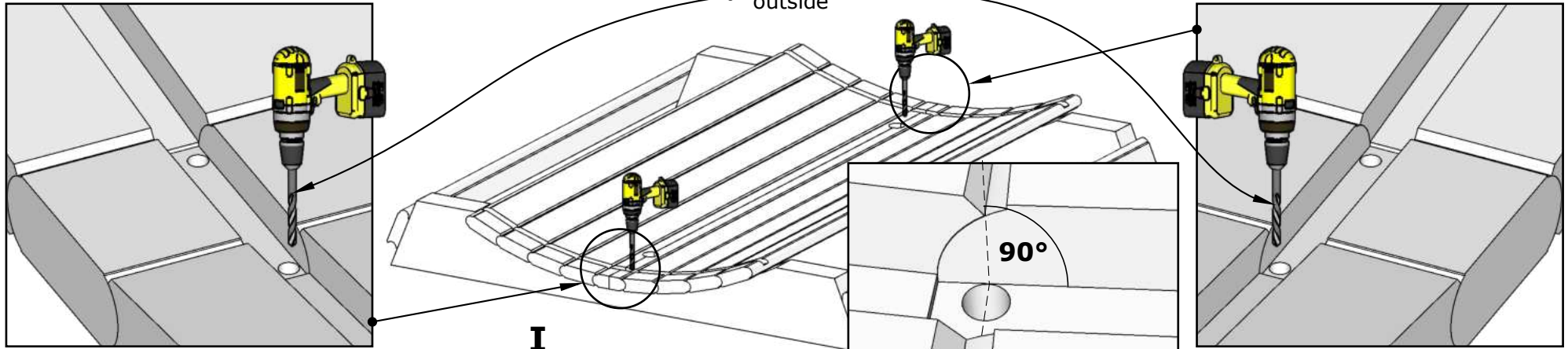


II

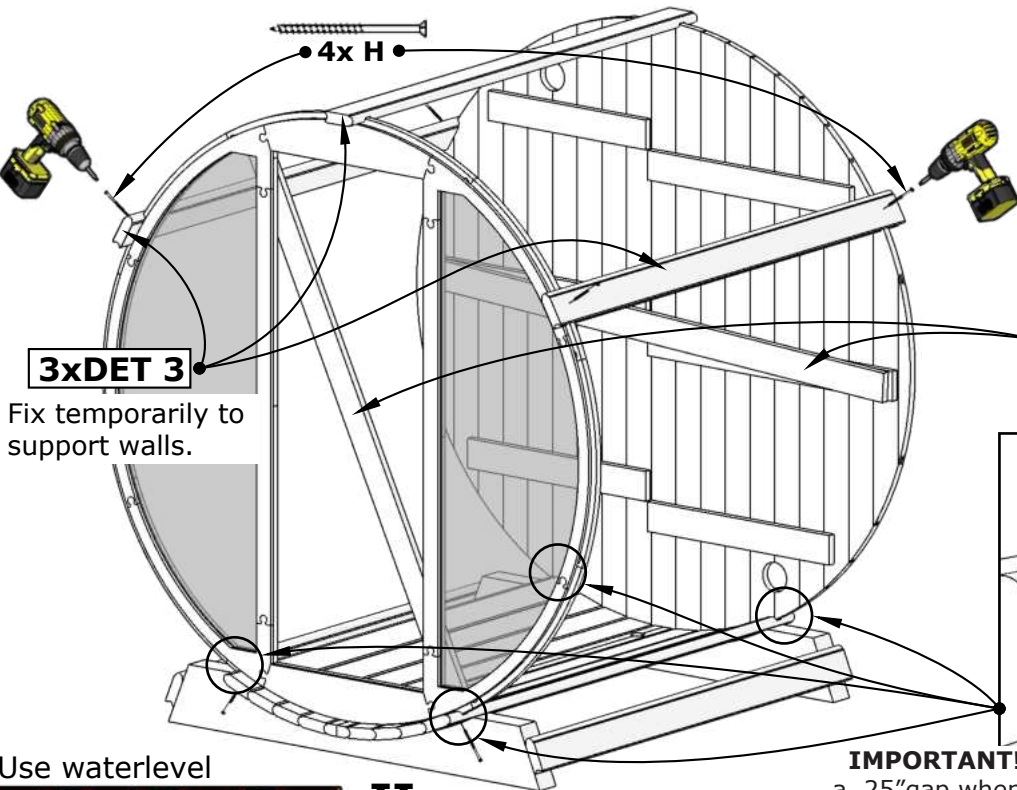


EE8G Barrel Sauna 79D" x 90H"

Drill 4 holes .50" through DET 2 outside



I



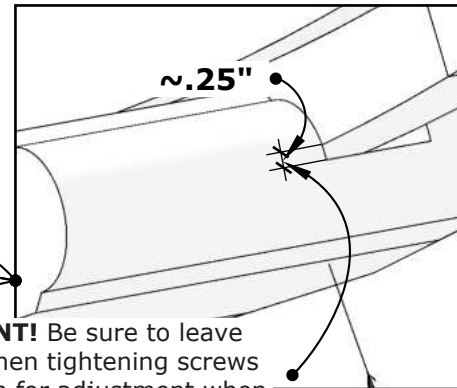
Use waterlevel

II

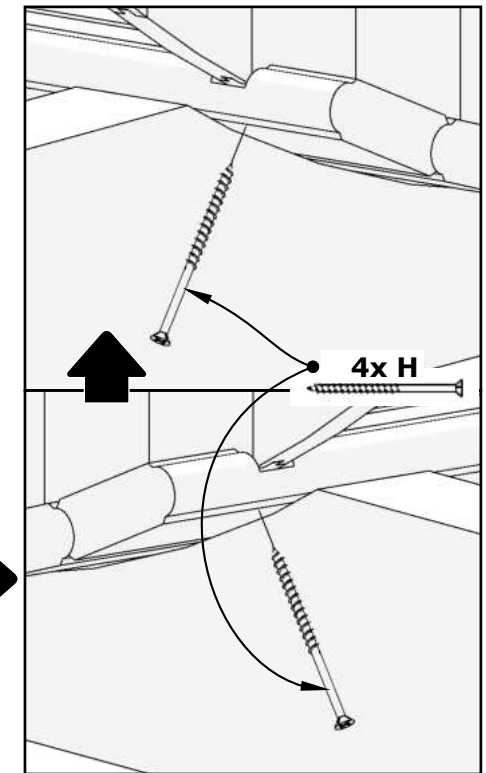
Check walls installation manual on extra pages!

Sauna wall configuration depends on Your model!

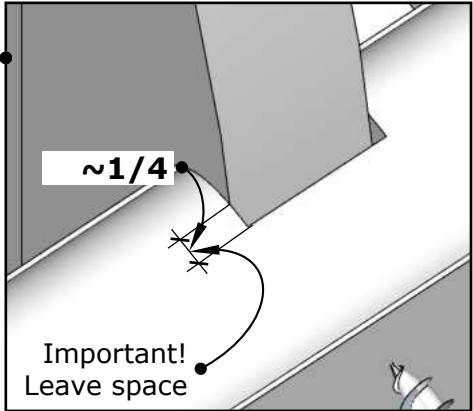
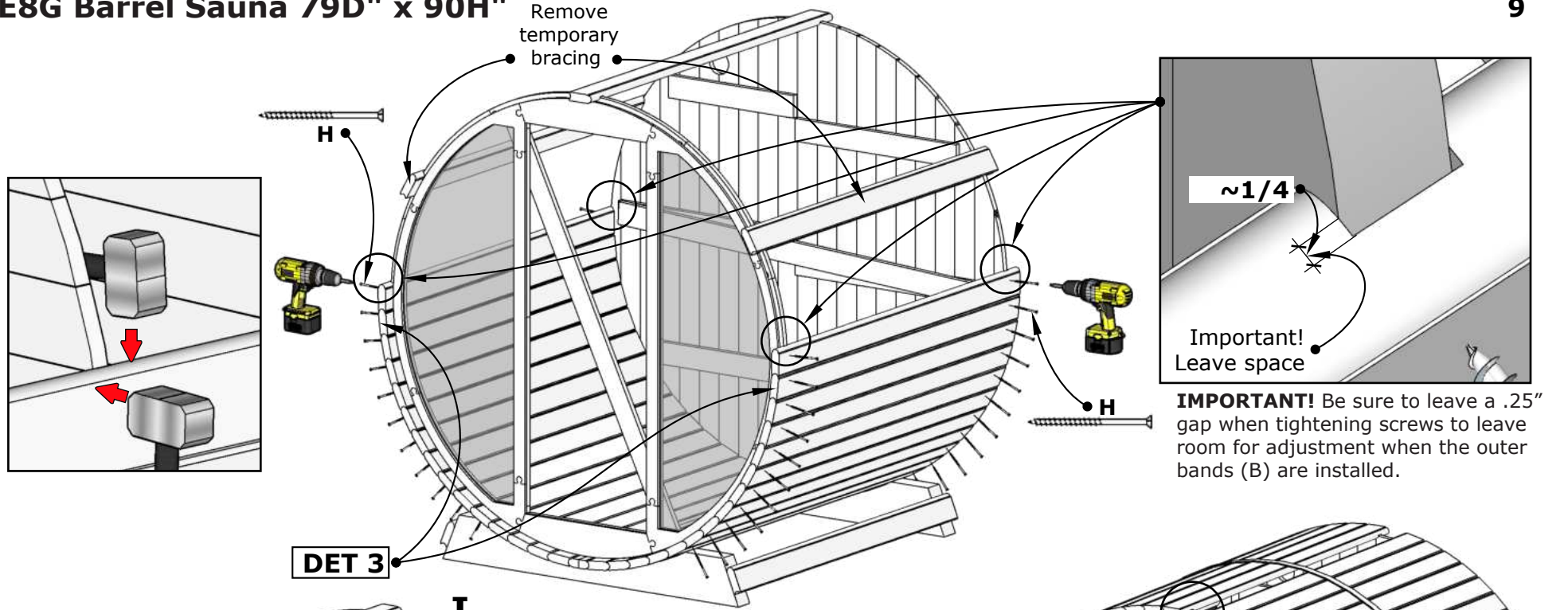
Brackets inside



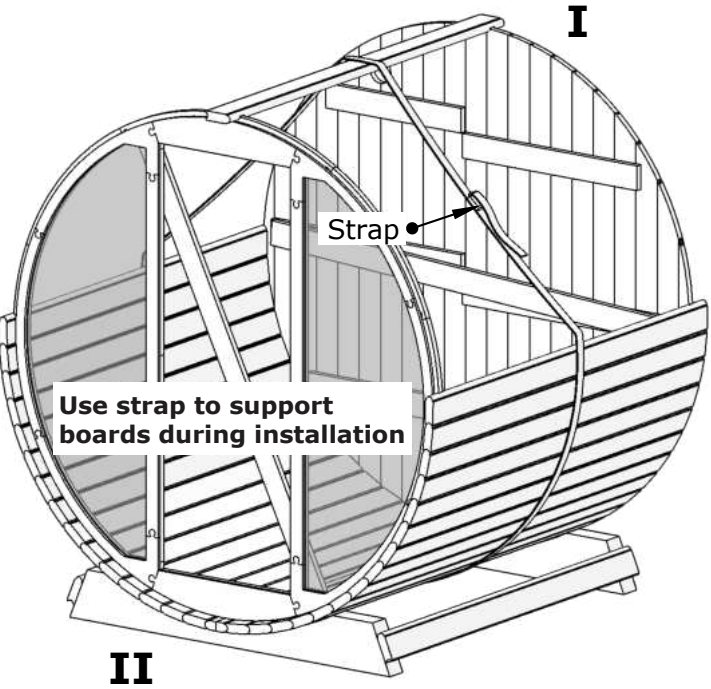
IMPORTANT! Be sure to leave a .25" gap when tightening screws to leave room for adjustment when the outer bands (B) are installed.



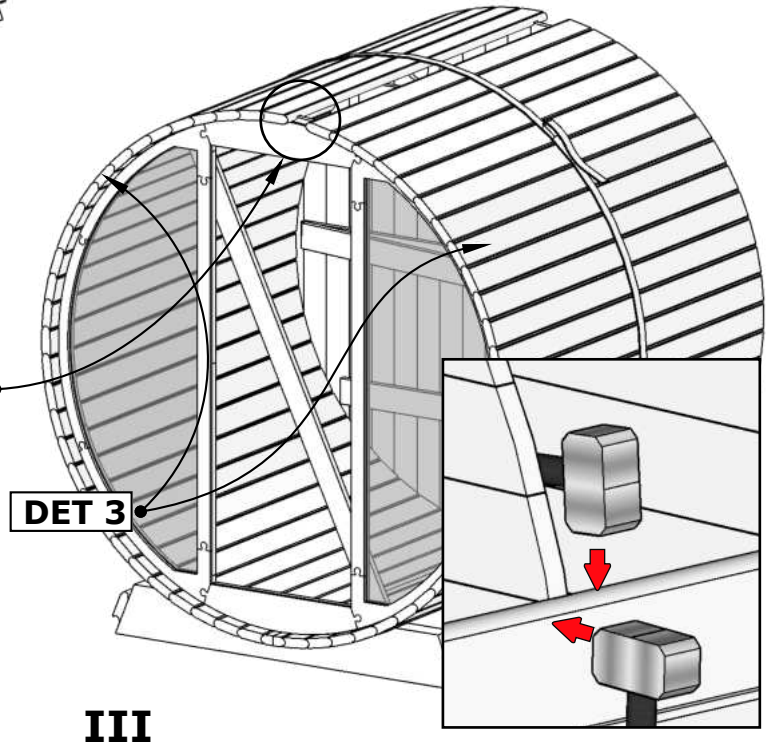
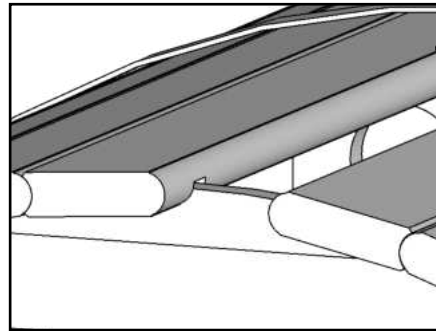
EE8G Barrel Sauna 79D" x 90H"



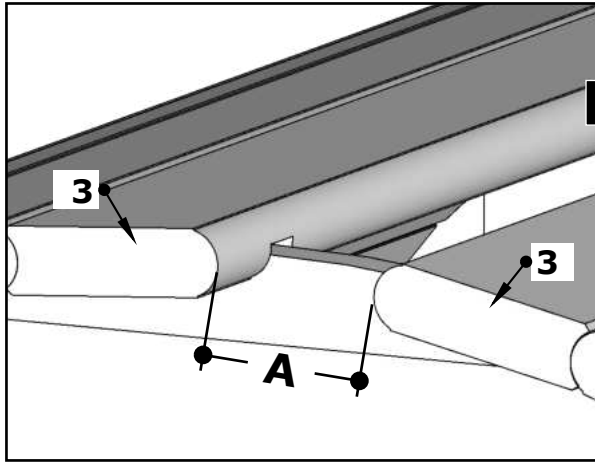
IMPORTANT! Be sure to leave a .25" gap when tightening screws to leave room for adjustment when the outer bands (B) are installed.



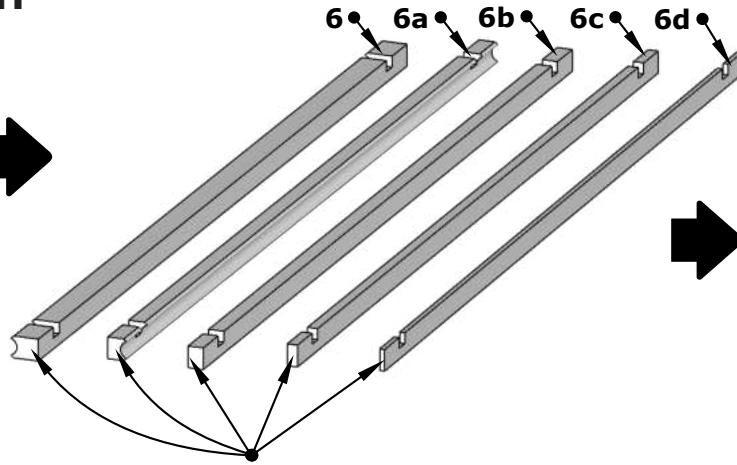
See the next page.



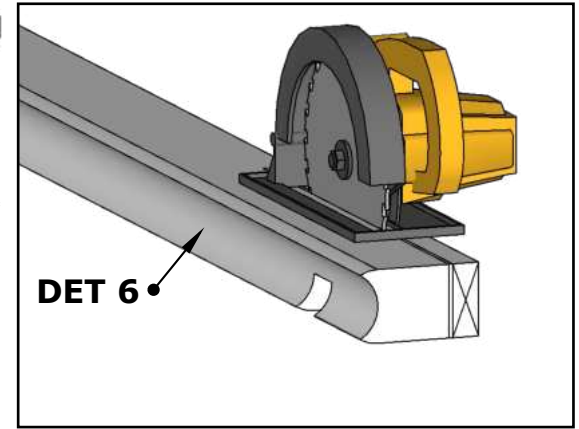
EE8G Barrel Sauna 79D" x 90H"



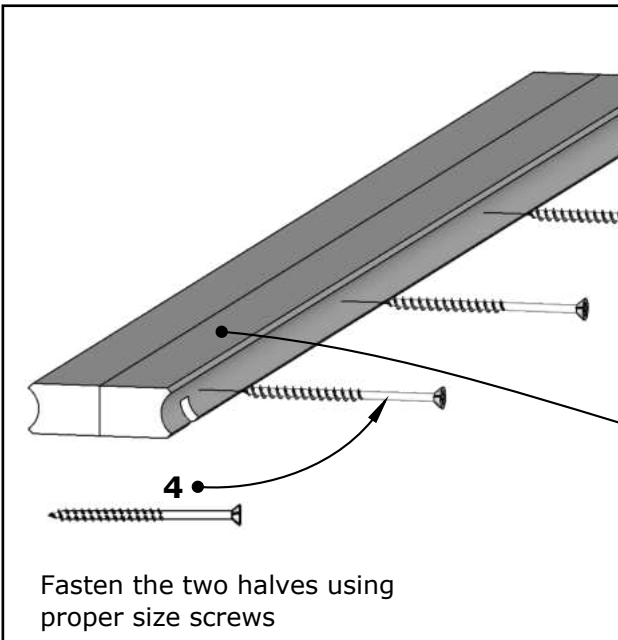
I



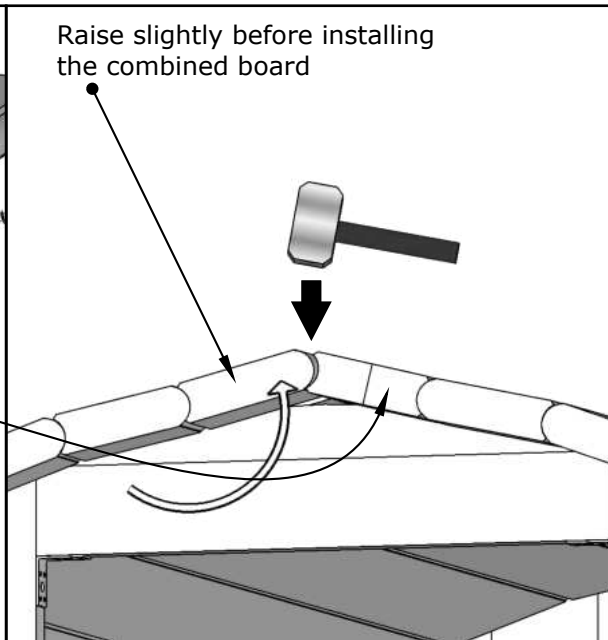
Join two boards together (as shown in diagram II) that will bridge the width of the "A" gap. It is recommended that the combined boards are approximately .25" wider than the gap.



If needed, trim the flat edge of the board to create the desired width.

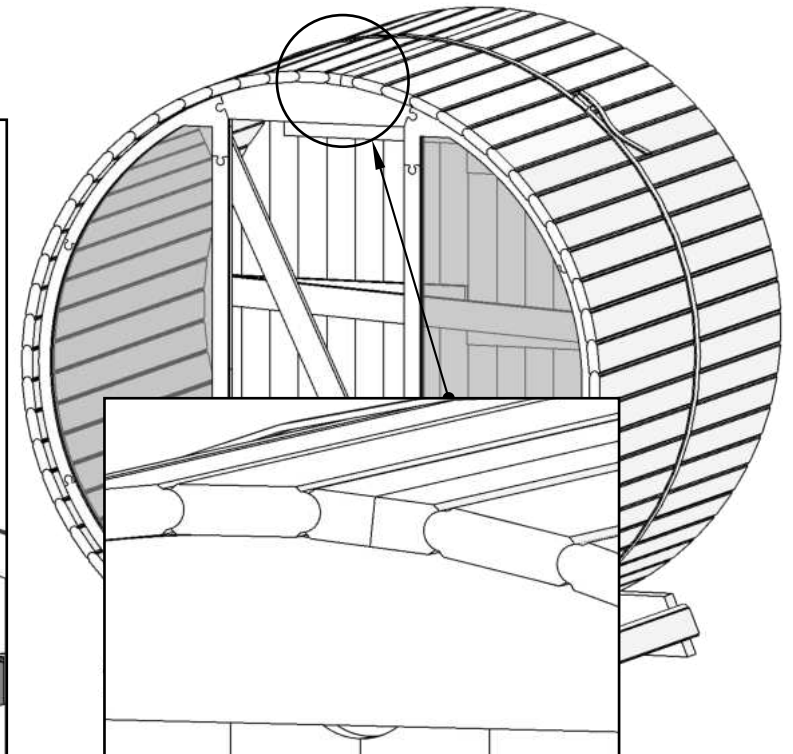


II

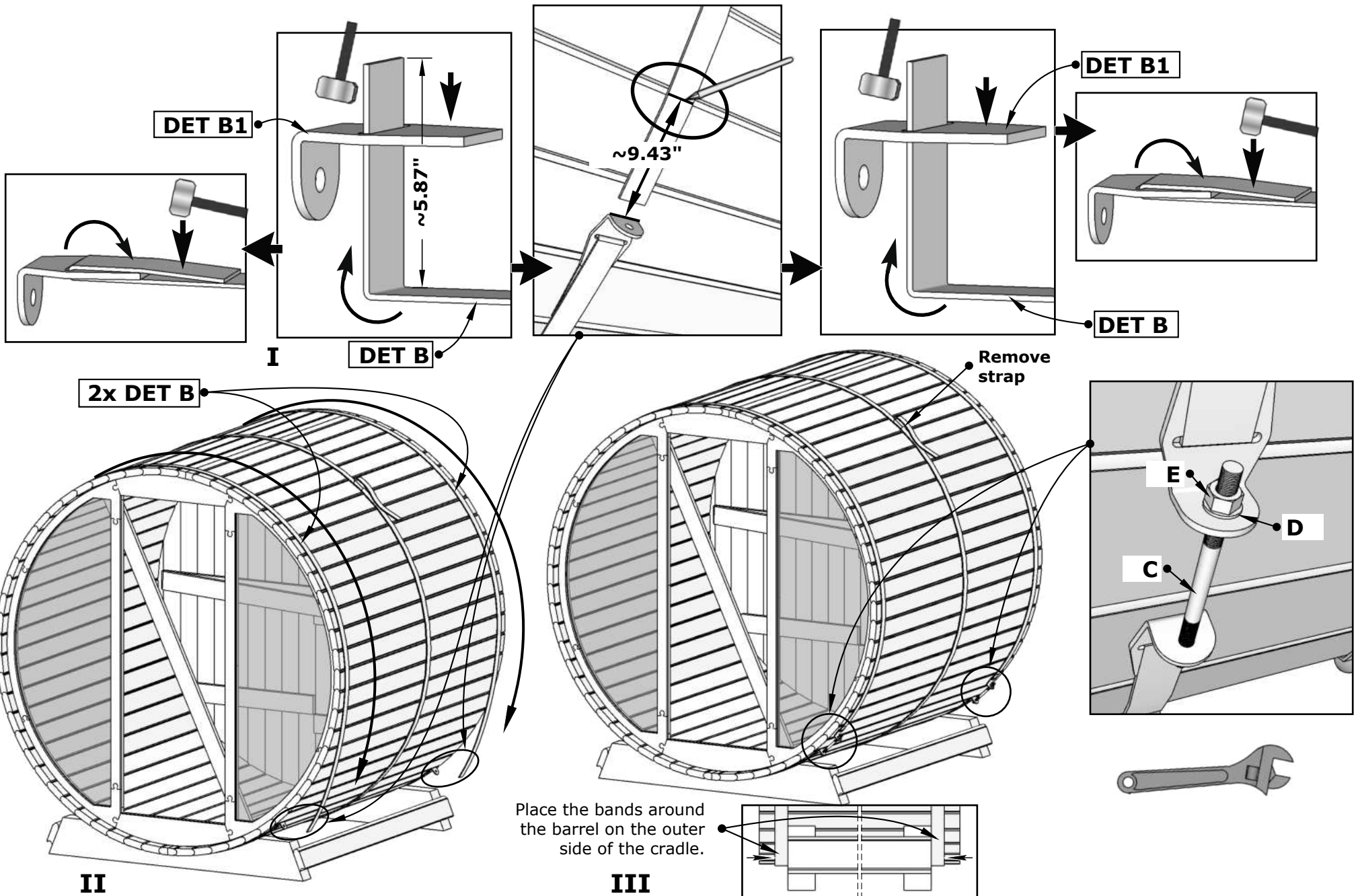


Raise slightly before installing the combined board

Fasten the two halves using proper size screws

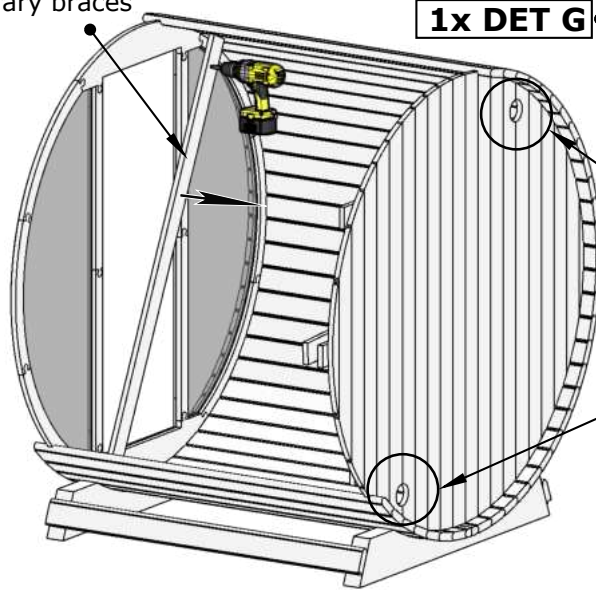
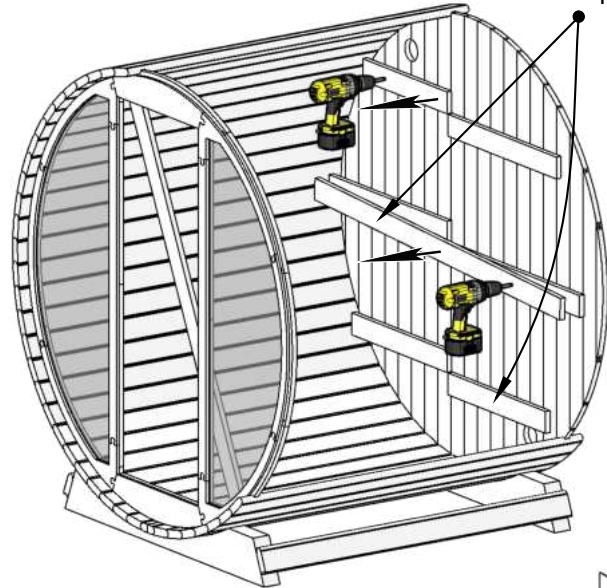


III

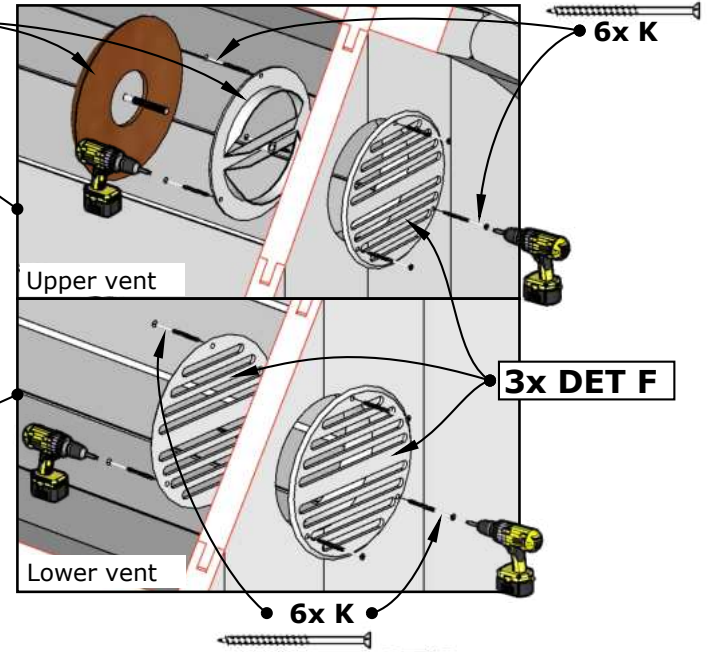


EE8G Barrel Sauna 79D" x 90H"

Remove all temporary braces



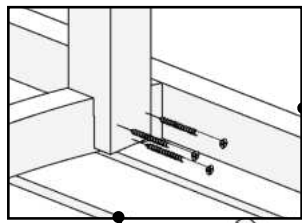
1x DET G



Upper vent

Lower vent

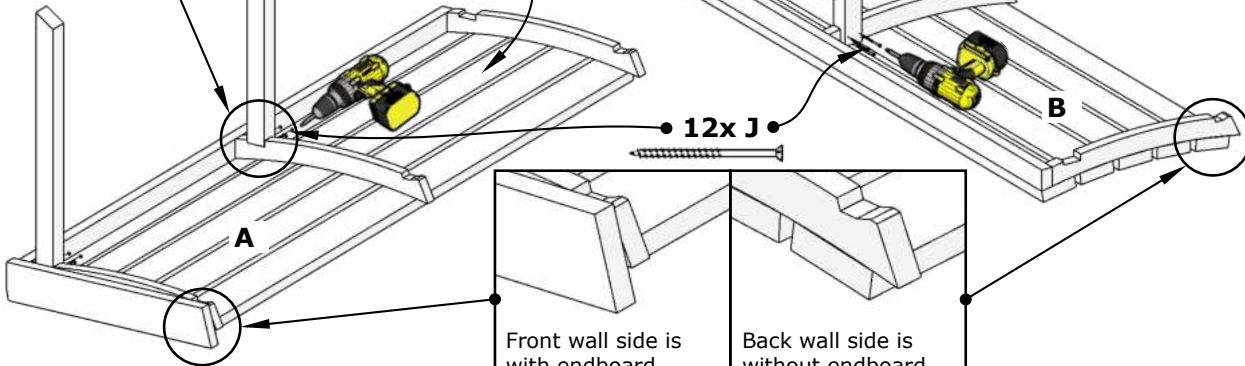
3x DET F



I

4x DET 10a

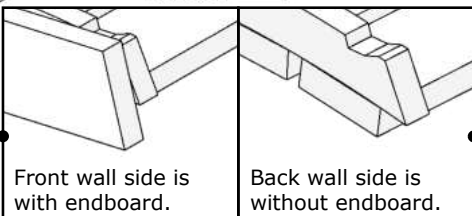
2x DET 10



12x J

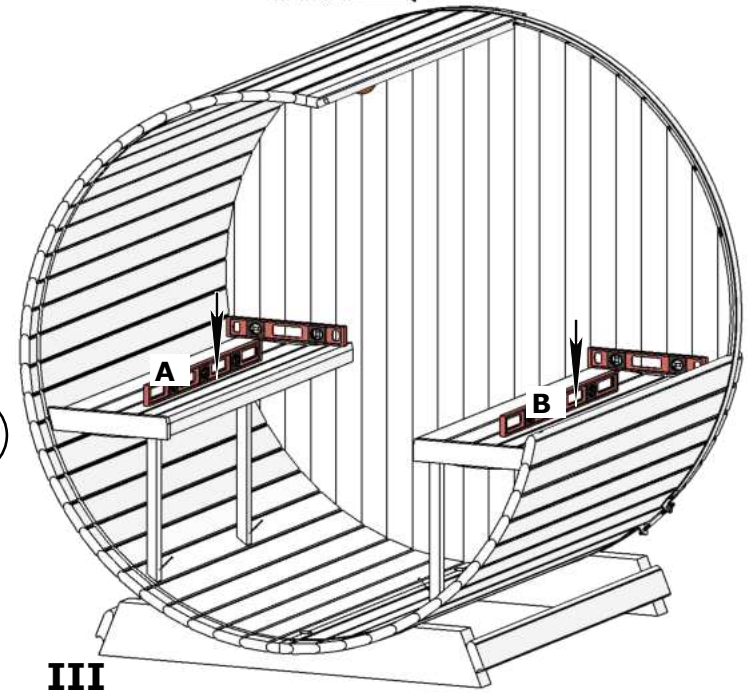
A

B



Front wall side is with endboard.

Back wall side is without endboard.

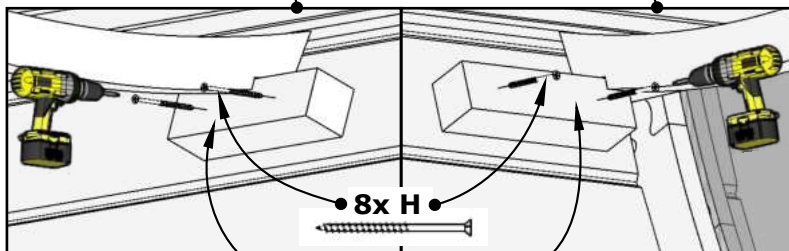
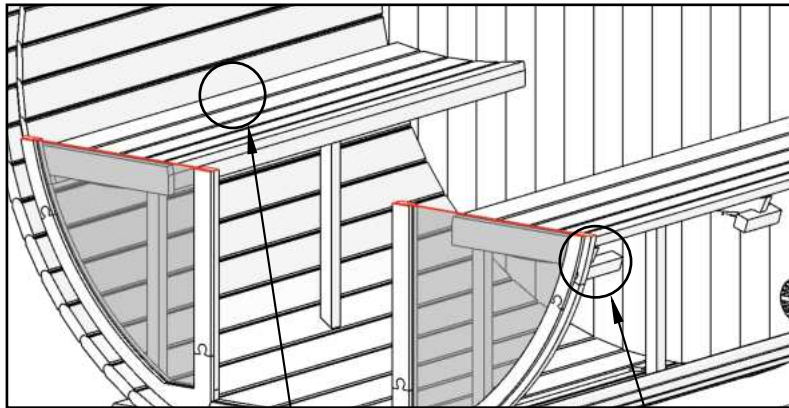
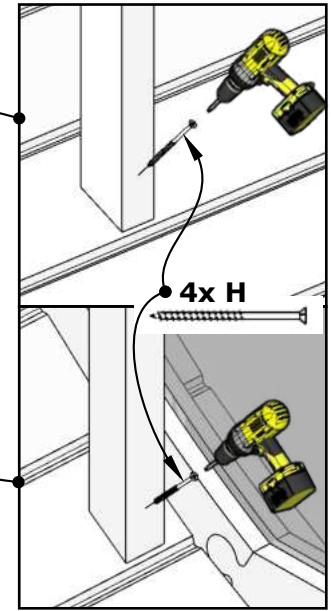
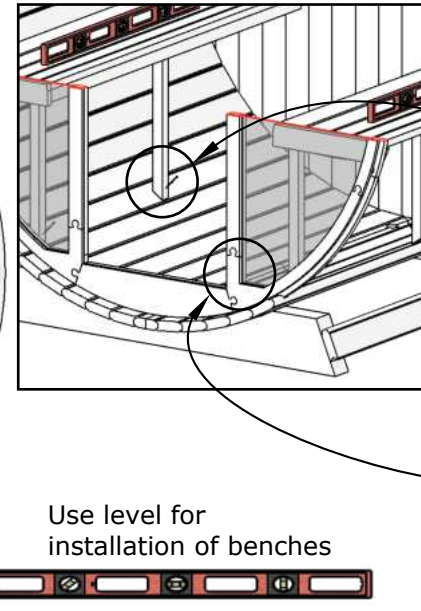
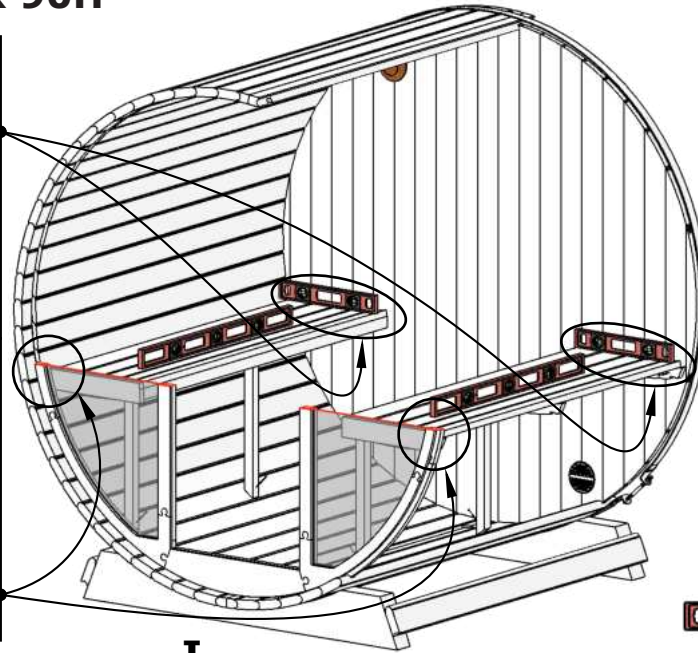
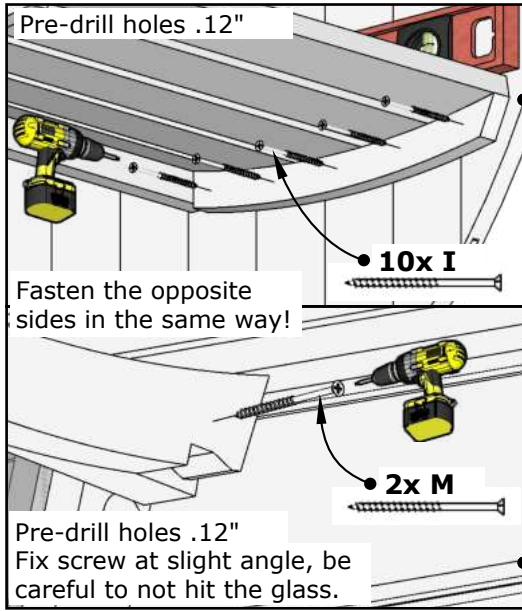


III

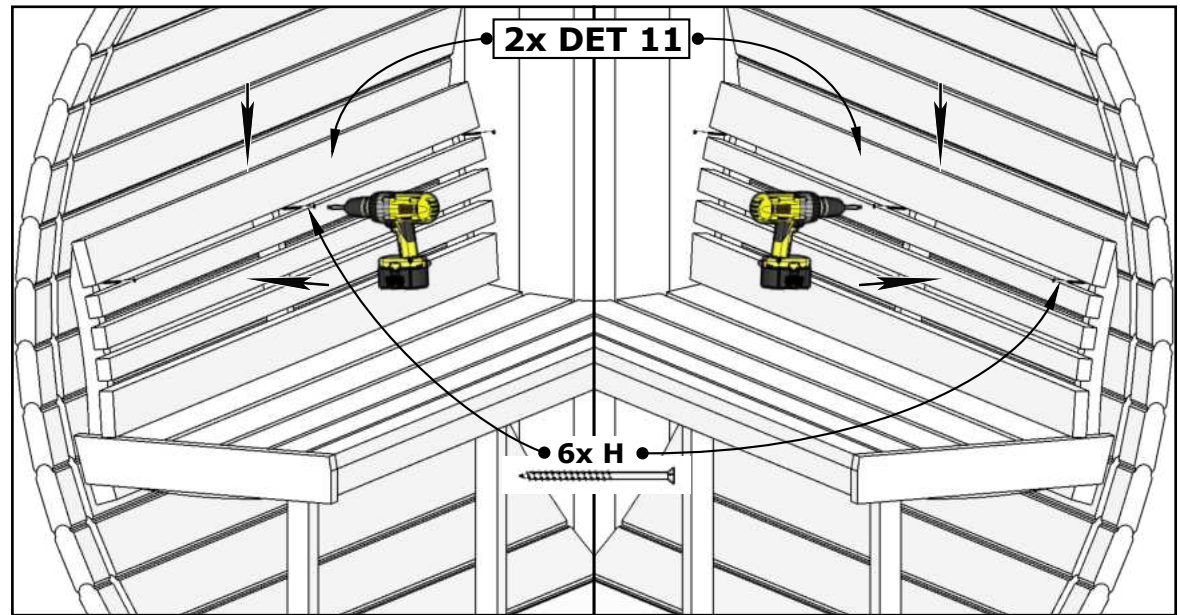
II

EE8G Barrel Sauna 79D" x 90H"

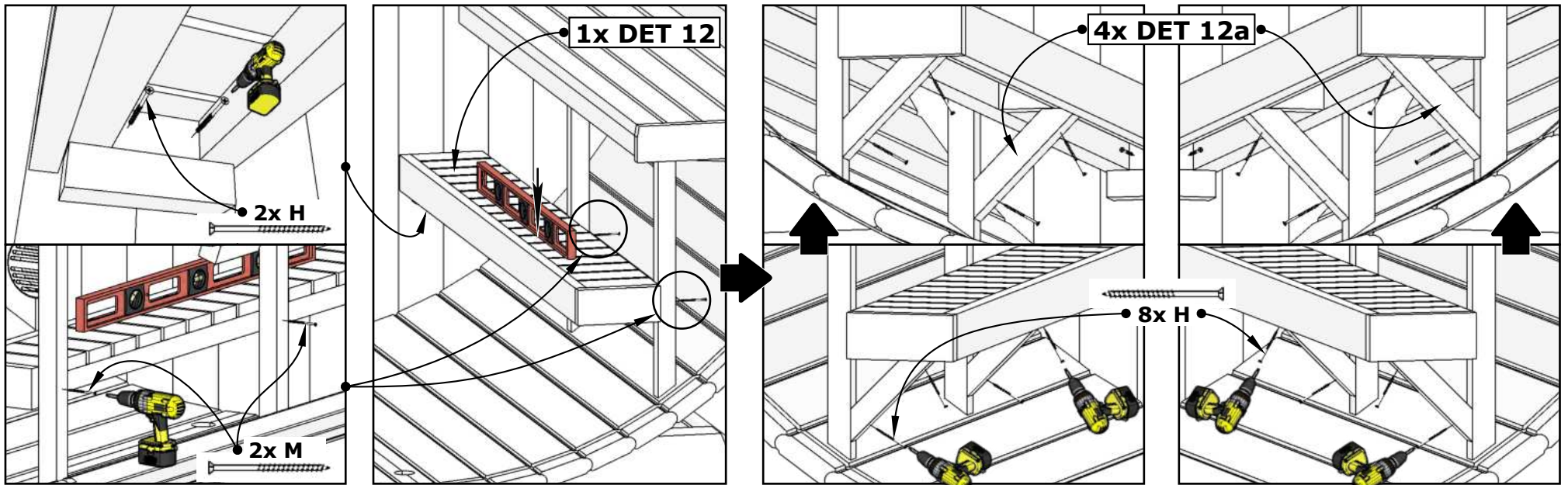
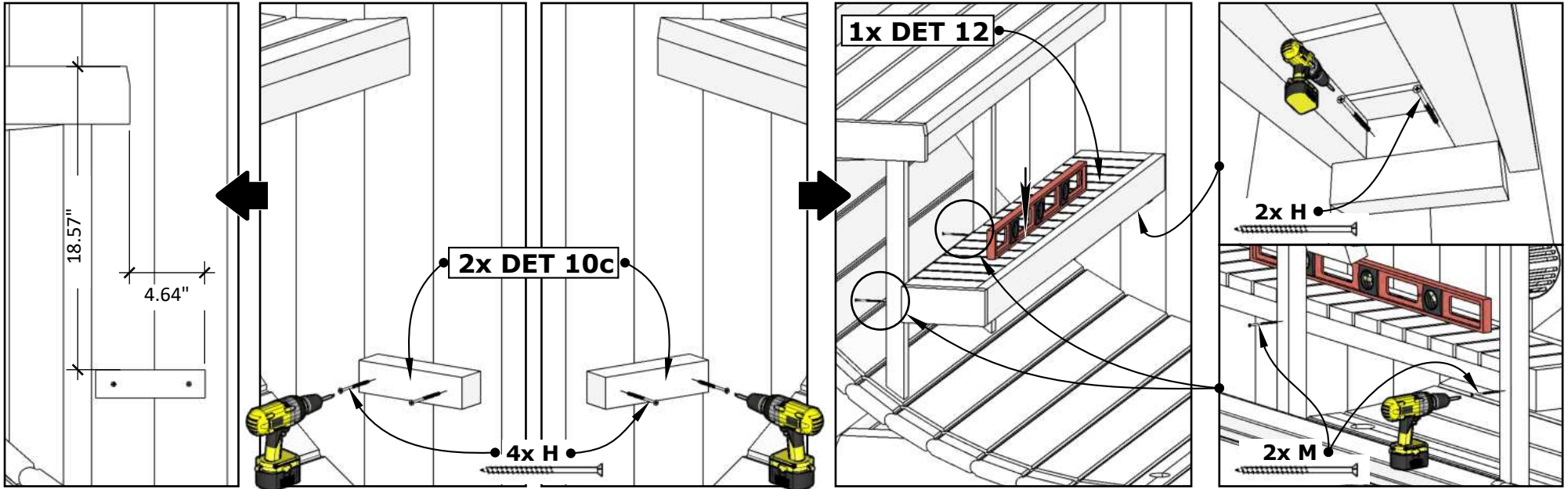
13

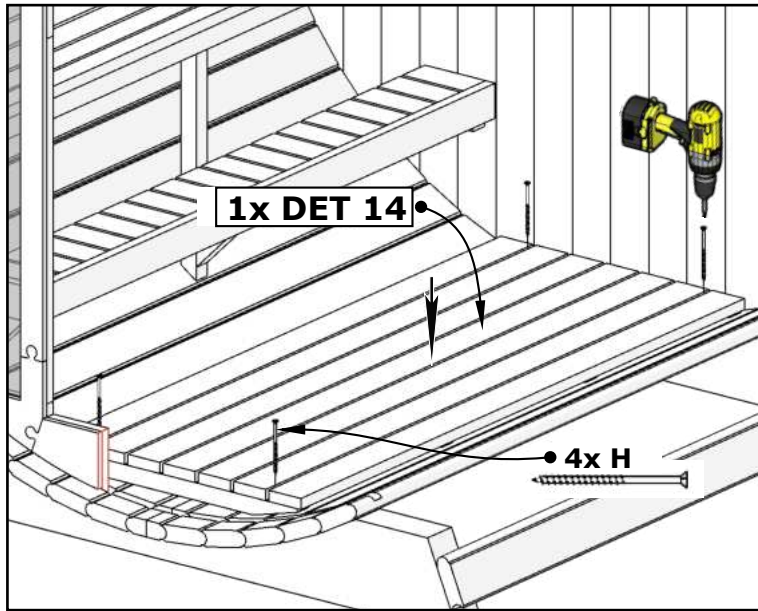


II

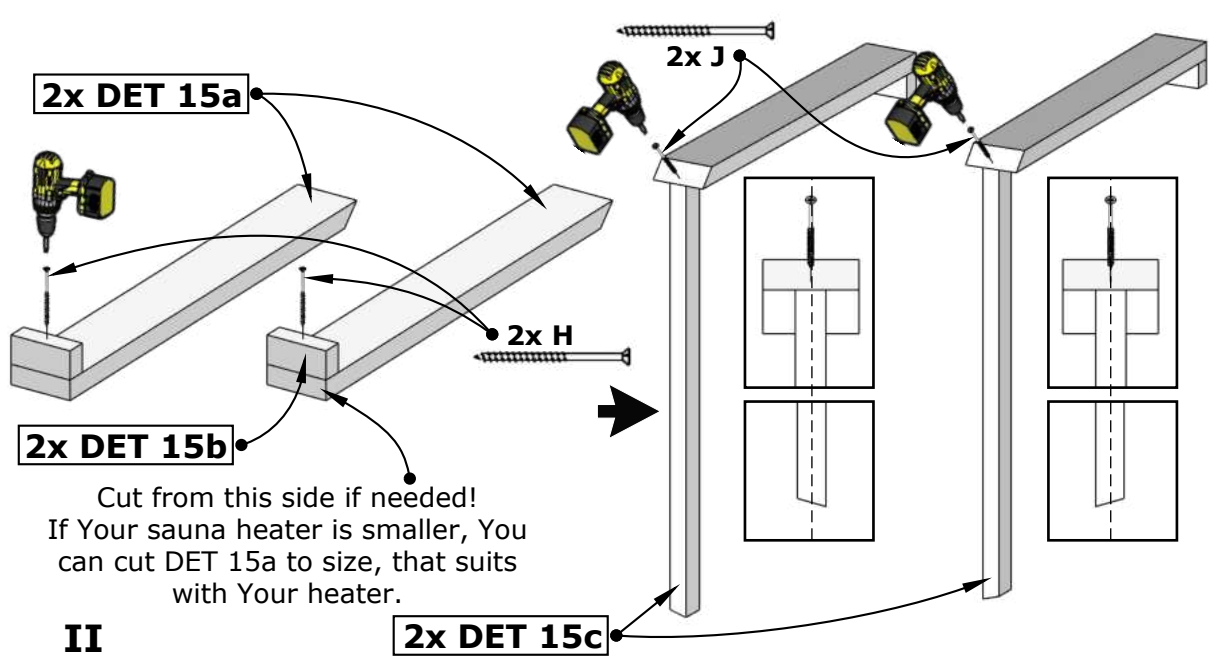


III

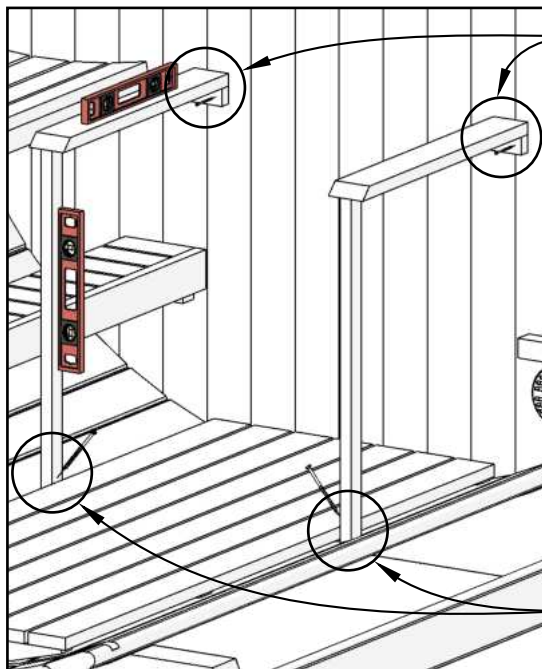




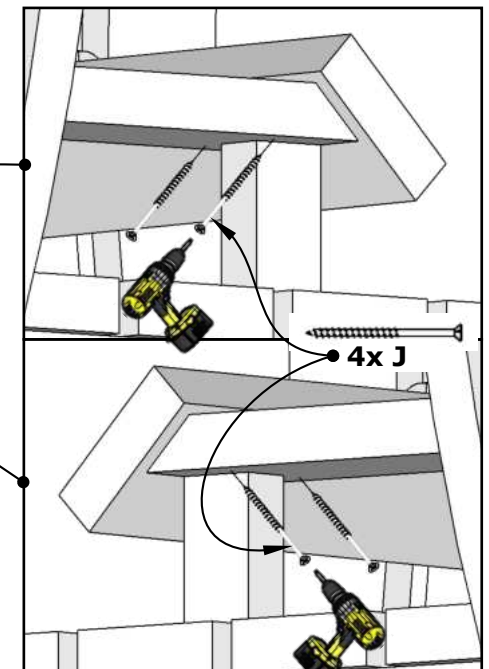
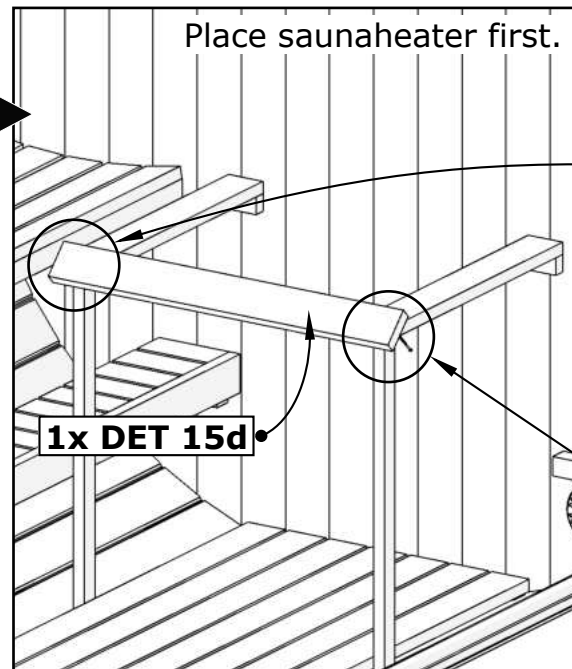
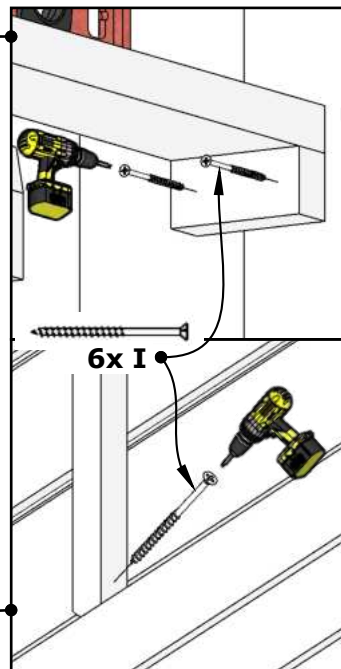
I



II

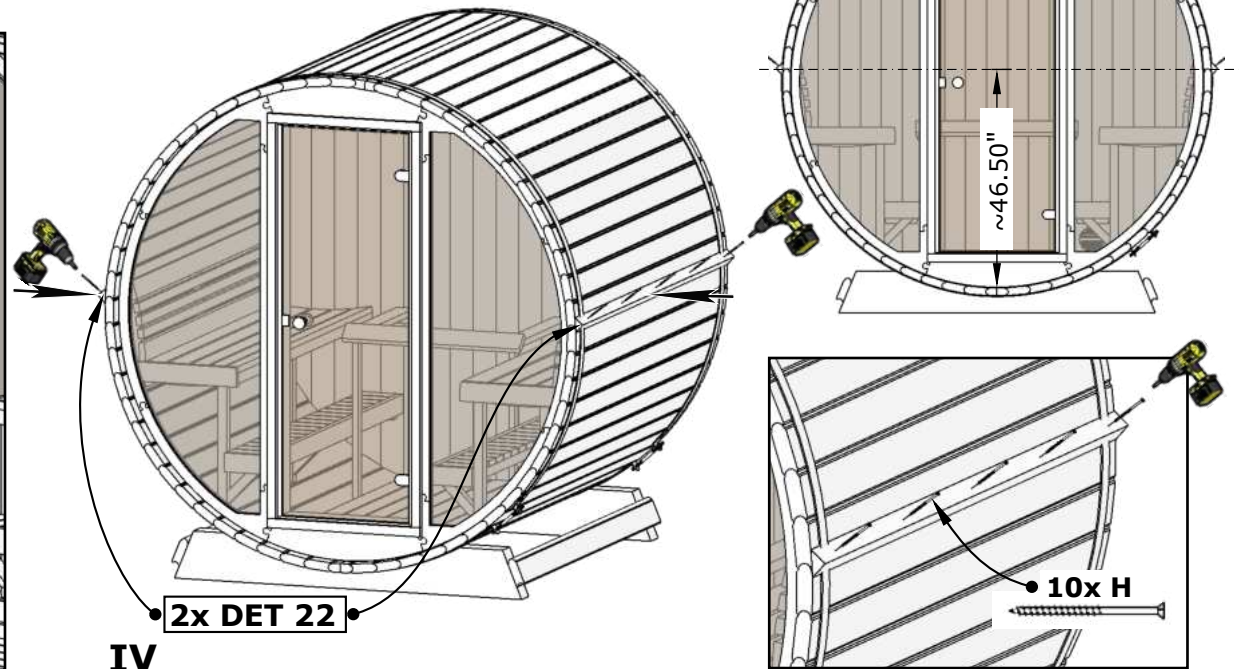
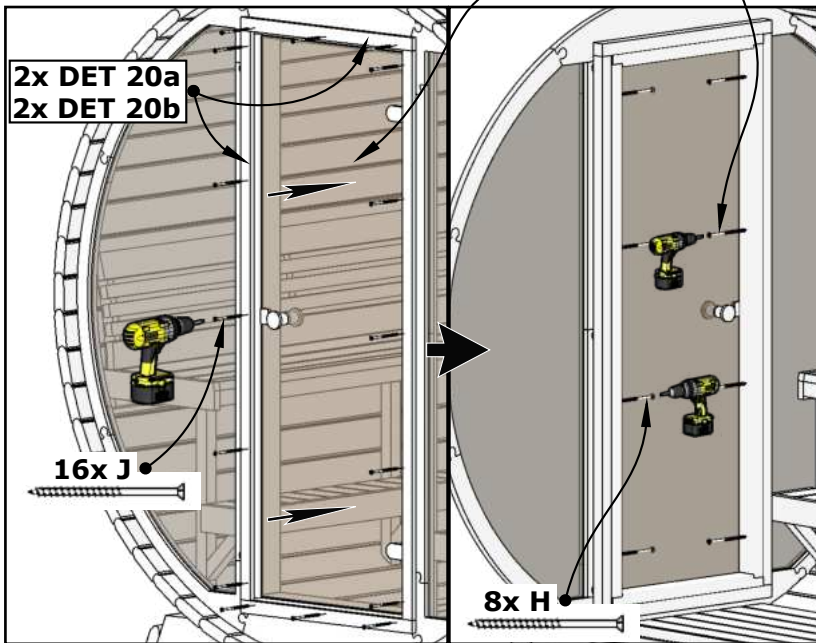
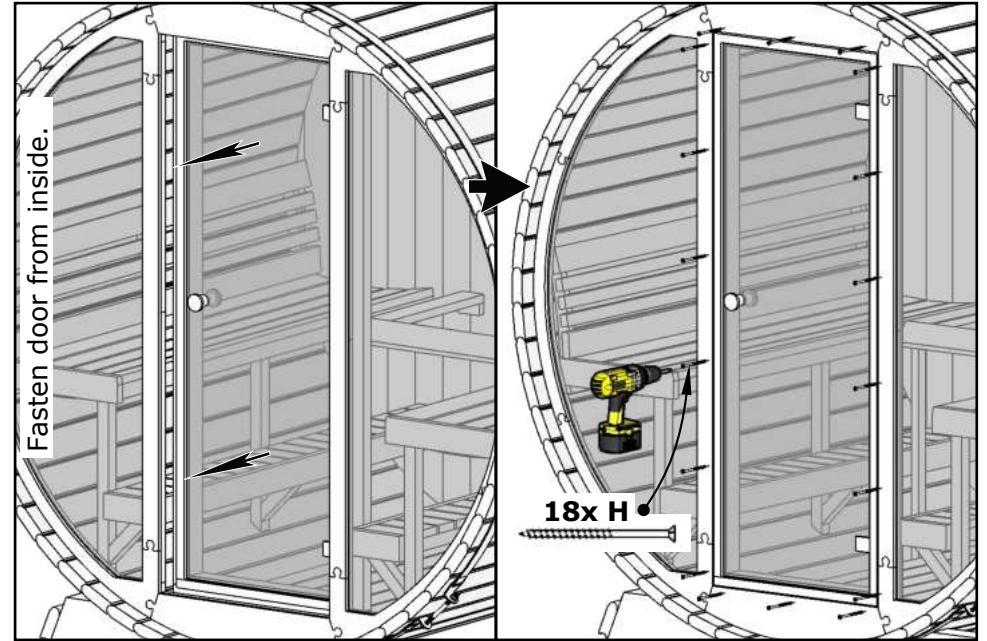
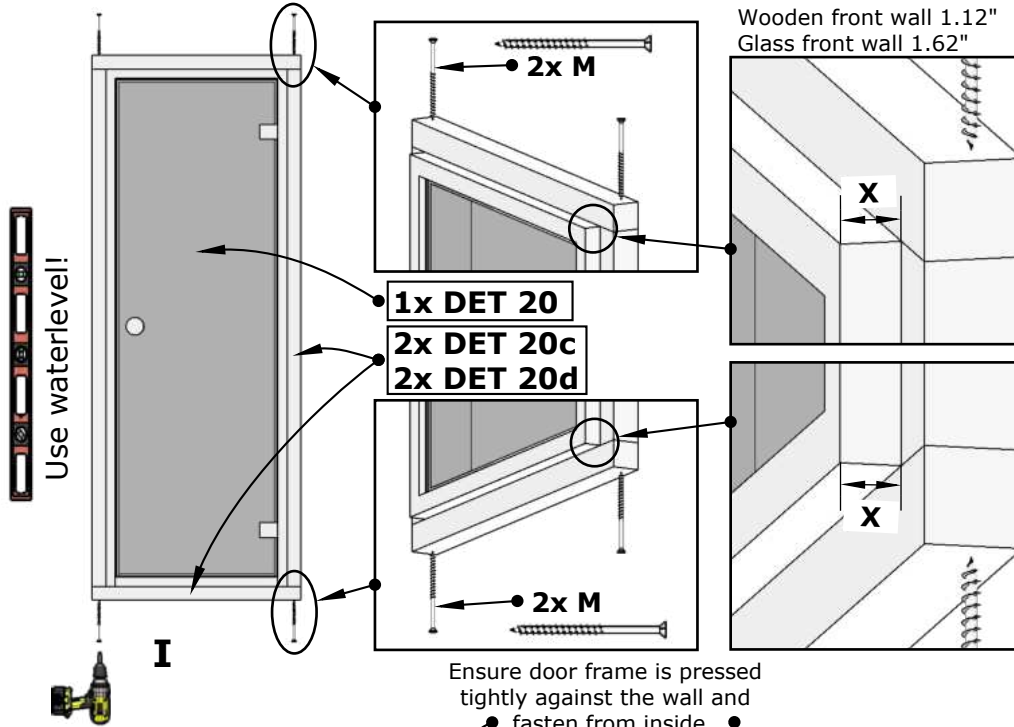


III

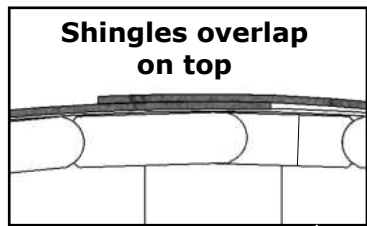
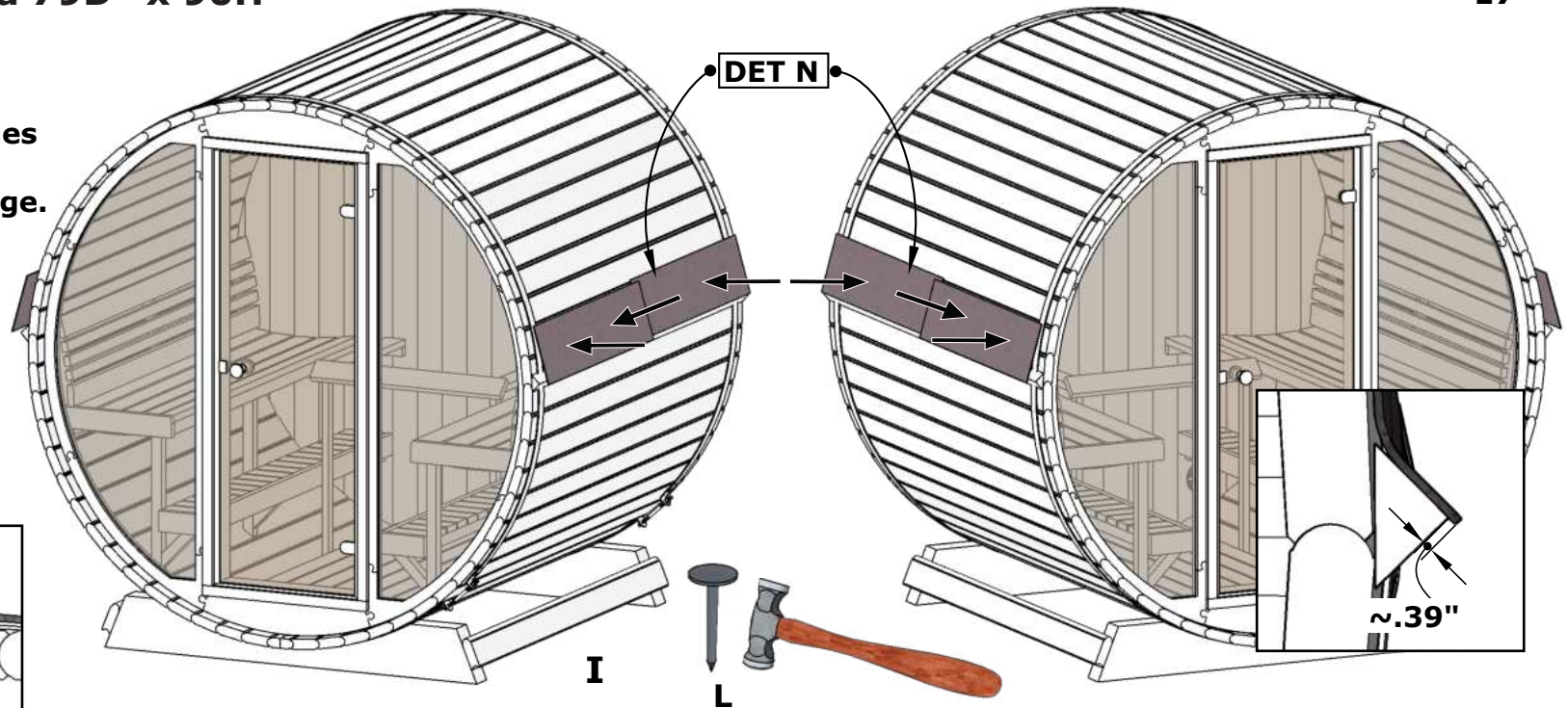


EE8G Barrel Sauna 79D" x 90H"

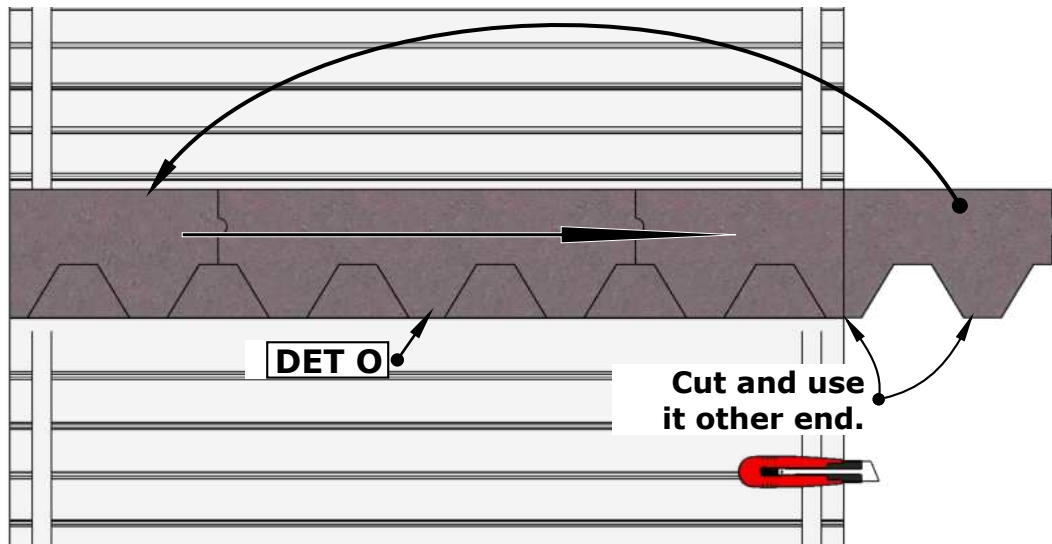
X= Front wall thickness
 Wooden front wall 1.12"
 Glass front wall 1.62"



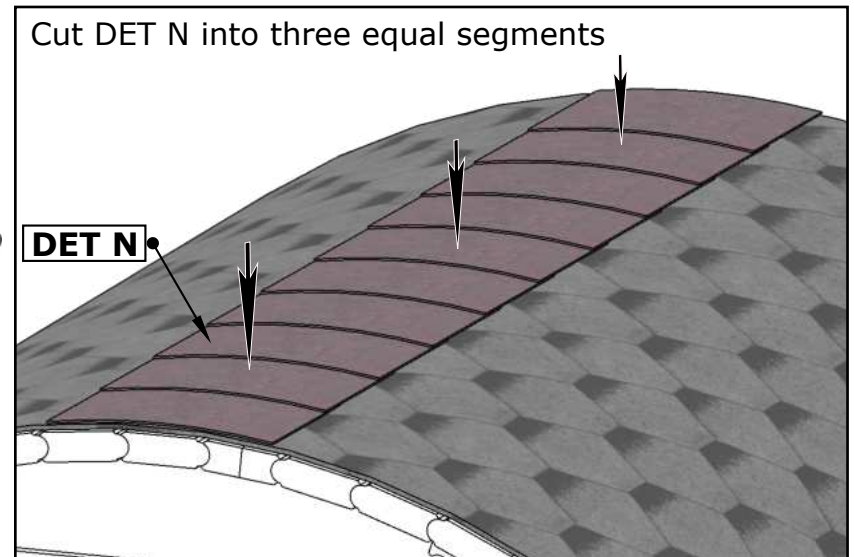
NB! Check also shingles installation manual inside shingles package.



Check also roof shingles installation manual inside package.



II



III

