

BATHOLOGY

rediscover bathing



Atmospheric 410

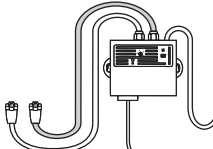








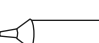


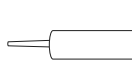
Steam Bath / In-Shower Exhaust Fan

Installation and Operation Manual

Components

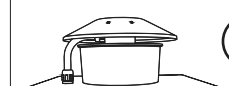

Spec Page
Install Page

Power Supply, Switch, and Additional Hardware

A		1x Power Supply Module		2x NEMA Male Plug, 6'	12	12 - 14
		1x 25' Soft Touch Switch Cable with Coupler		1x Soft-Touch Fan Switch		
		2x Strain Relief Bushing		2x Mounting Screw		
		2x Anchor		3x Reducer Screw OR Extension Collar Screw		
		3x Damper Screw		1x Silicone sealant, 1 ounce		
		2x Flex Duct Tie, 36"		2x Flex Duct Tie, 18"		
		1x Mastic Tube Net Contents: 1/12 Gallon				

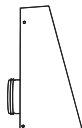



Fan Options

Exterior Roof / Wall Fan

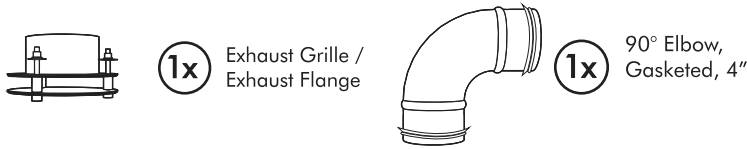
B		1x 116 CFM Roof / Wall Fan, 5"		1x Reducer 5" to 4"	15	15 - 18
----------	---	---------------------------------------	---	----------------------------	----	---------

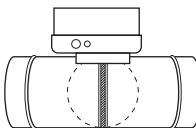
Exterior Wall Fan

Fan

B		1x 124 CFM Exterior Wall Fan, 4"		1x Extension Collar	19	19 - 22
		4x Mounting Screw		4x Anchor		

Components Continued

Exhaust Grille / Exhaust Flange and 90° Elbow			
C	 <p>1x Exhaust Grille / Exhaust Flange</p> <p>1x 90° Elbow, Gasketed, 4"</p>	23	23 - 26

Motorized Damper			
D	 <p>1x Motorized Damper, 4"</p>	27	27

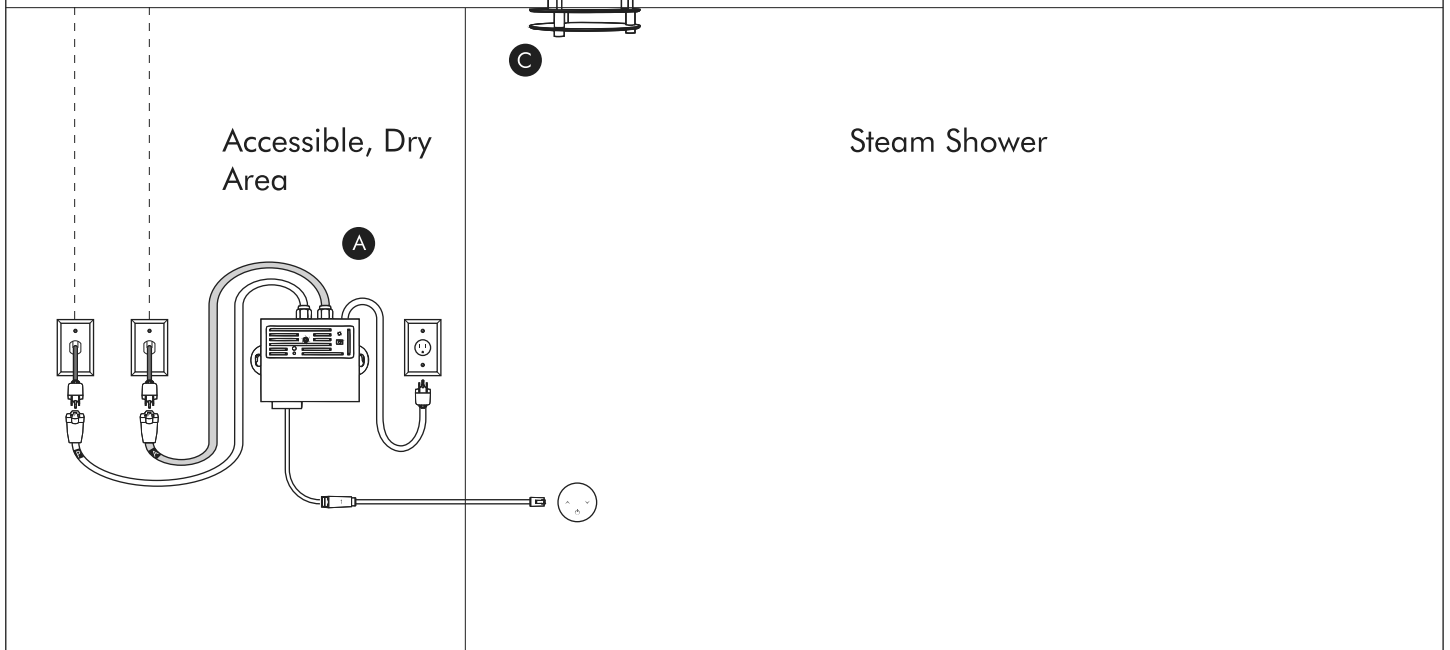
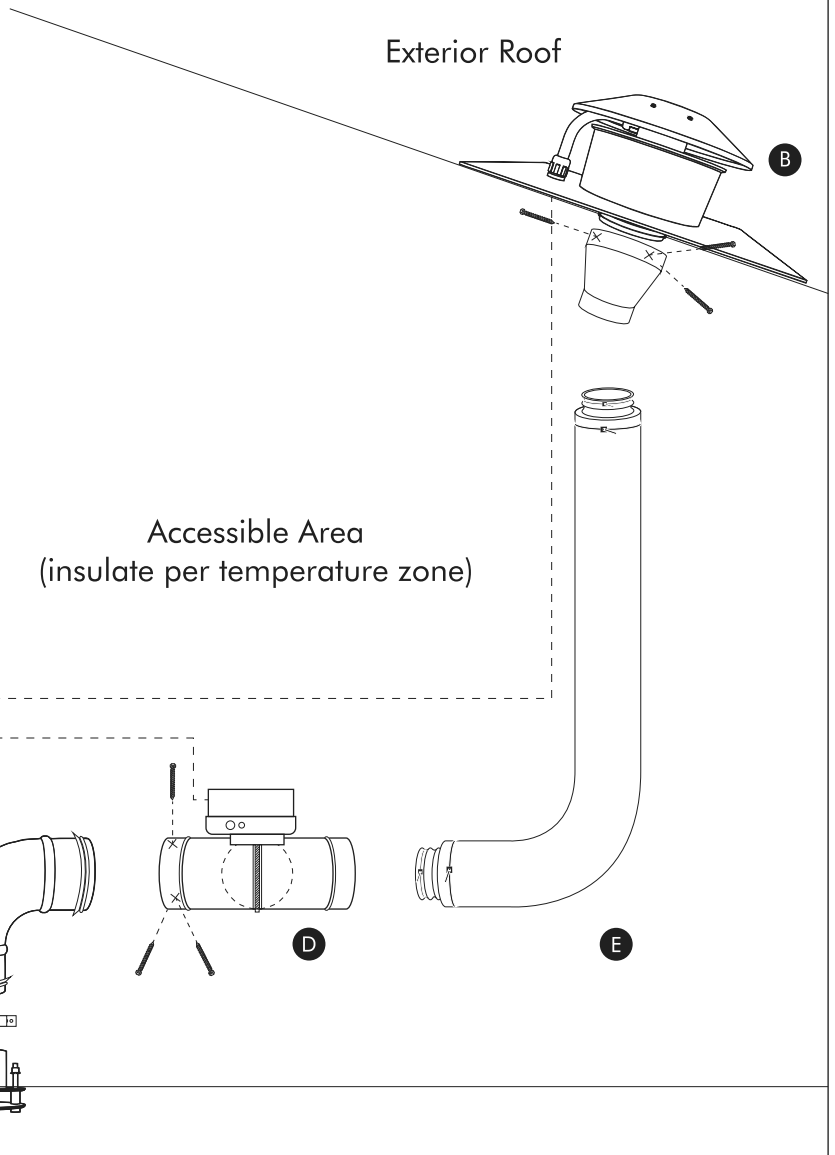
Duct			
E	 <p>1x Flex Duct, 4"x25'</p>	28	28 - 29

Mounting Strap			
F	 <p>1x Mounting Strap</p>	30	30

Typical Installation - Exterior Roof

Important: It is recommended that all electrical equipment be tested prior to installation.

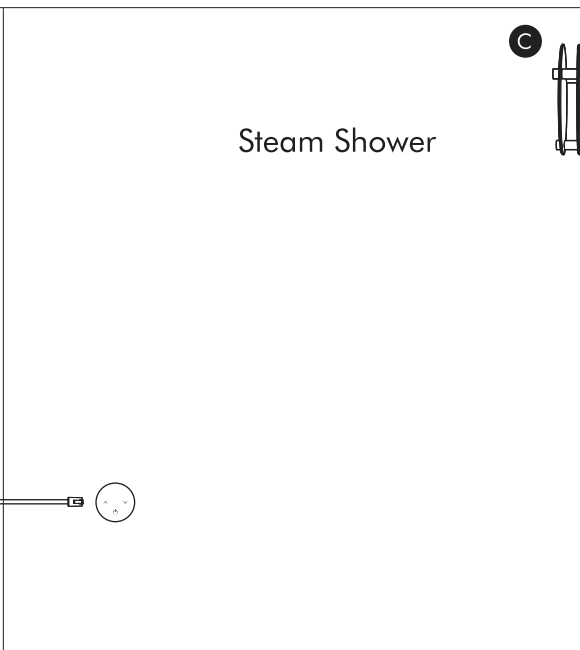
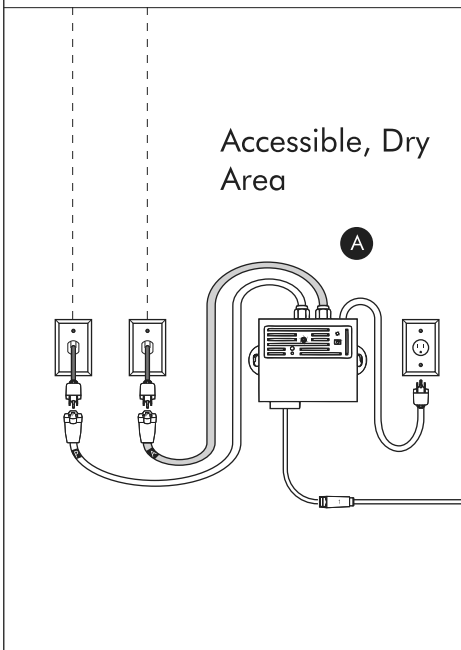
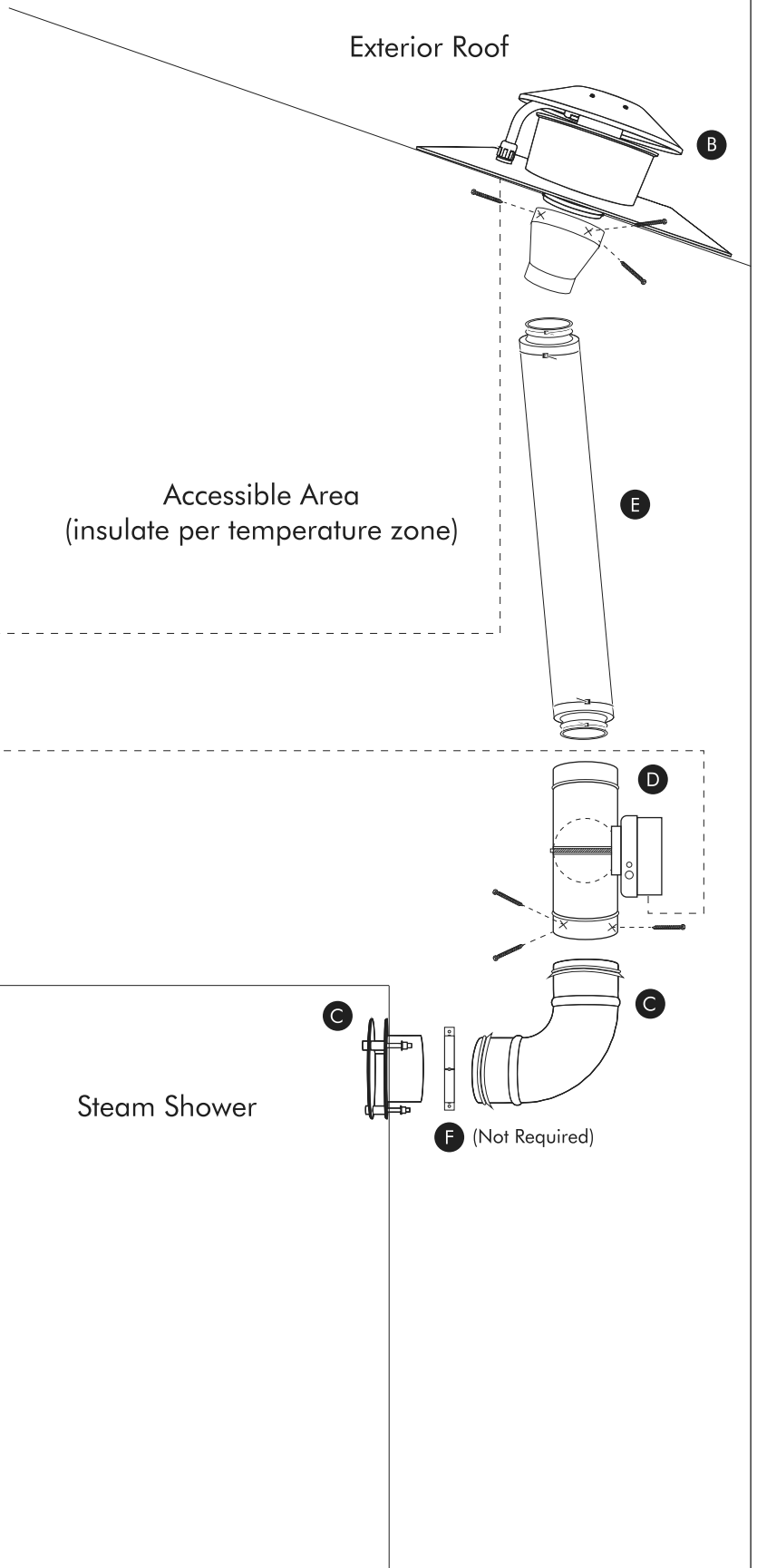
Page	ID	Product
12 - 14	A	Power Supply and Switch
15 - 18	B	Exterior Roof / Wall Fan
23 - 26	C	Exhaust Grille / Exhaust Flange and 90° Elbow, Gasketed, 4"
27	D	Motorized Damper, 4"
28 - 29	E	Duct, 4"
30	F	Mounting Strap



Typical Installation - Exterior Roof

Important: It is recommended that all electrical equipment be tested prior to installation.

Page	ID	Product
12 - 14	A	Power Supply and Switch
15 - 18	B	Exterior Roof / Wall Fan
23 - 26	C	Exhaust Grille / Exhaust Flange and 90° Elbow, Gasketed, 4"
27	D	Motorized Damper, 4"
28 - 29	E	Duct, 4"
30	F	Mounting Strap



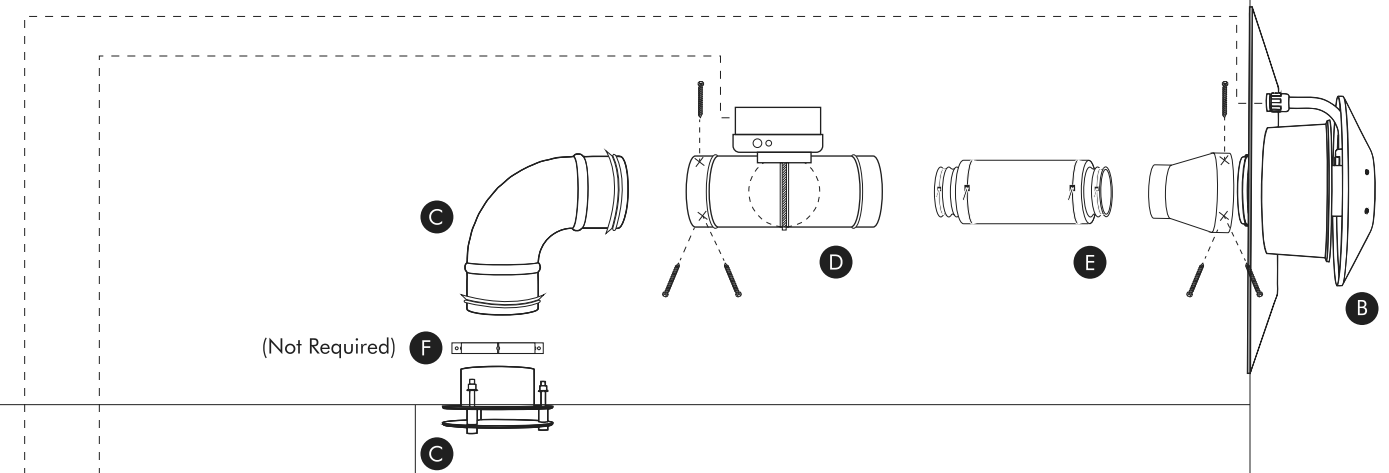
Typical Installation - Exterior Roof / Wall

Important: It is recommended that all electrical equipment be tested prior to installation.

Page	ID	Product
12 - 14	A	Power Supply and Switch
15 - 18	B	Exterior Roof / Wall Fan
23 - 26	C	Exhaust Grille / Exhaust Flange and 90° Elbow, Gasketed, 4"
27	D	Motorized Damper, 4"
28 - 29	E	Duct, 4"
30	F	Mounting Strap

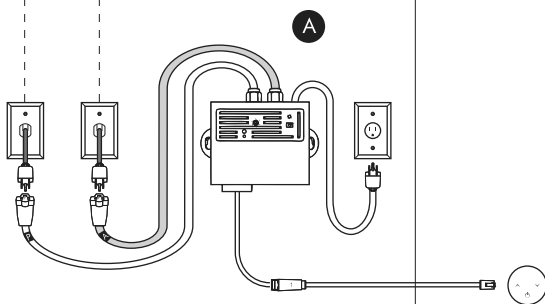
Accessible Area
(insulate per temperature zone)

Exterior Wall



Accessible, Dry Area

Steam Shower



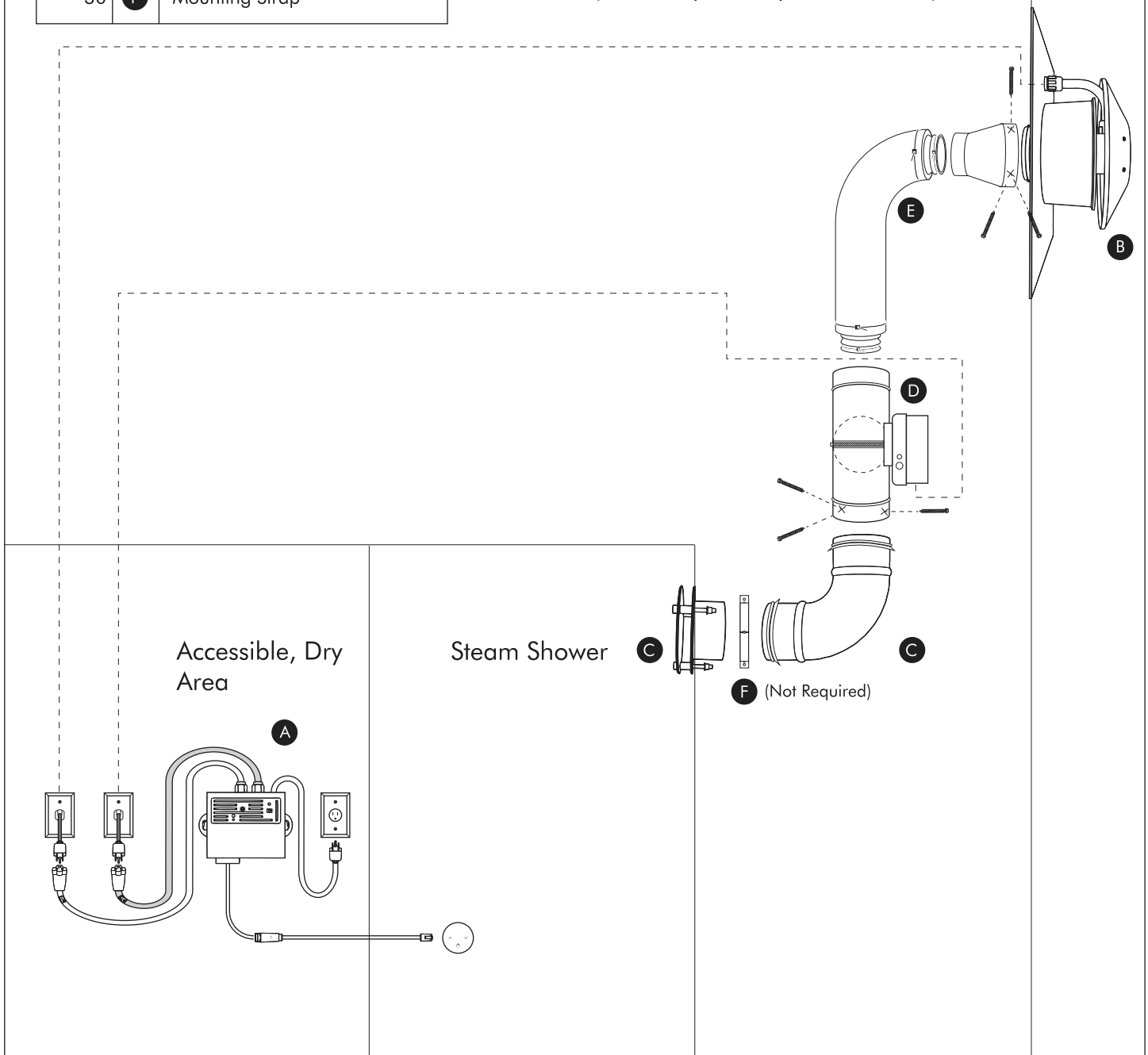
Typical Installation - Exterior Roof / Wall

Important: It is recommended that all electrical equipment be tested prior to installation.

Page	ID	Product
12 - 14	A	Power Supply and Switch
15 - 18	B	Exterior Roof / Wall Fan
23 - 26	C	Exhaust Grille / Exhaust Flange and 90° Elbow, Gasketed, 4"
27	D	Motorized Damper, 4"
28 - 29	E	Duct, 4"
30	F	Mounting Strap

Accessible Area
(insulate per temperature zone)

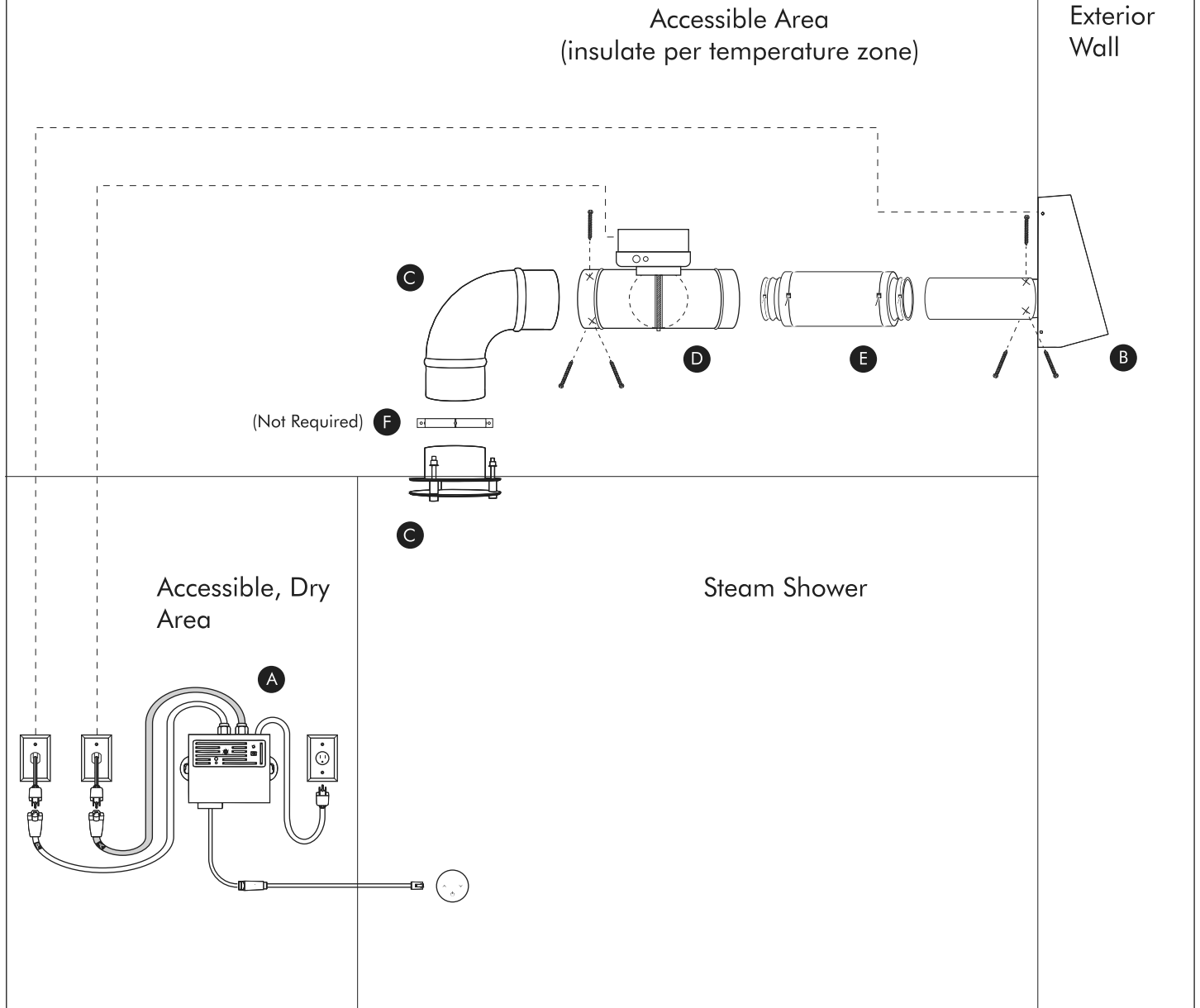
Exterior Wall



Typical Installation - Exterior Wall

Important: It is recommended that all electrical equipment be tested prior to installation.

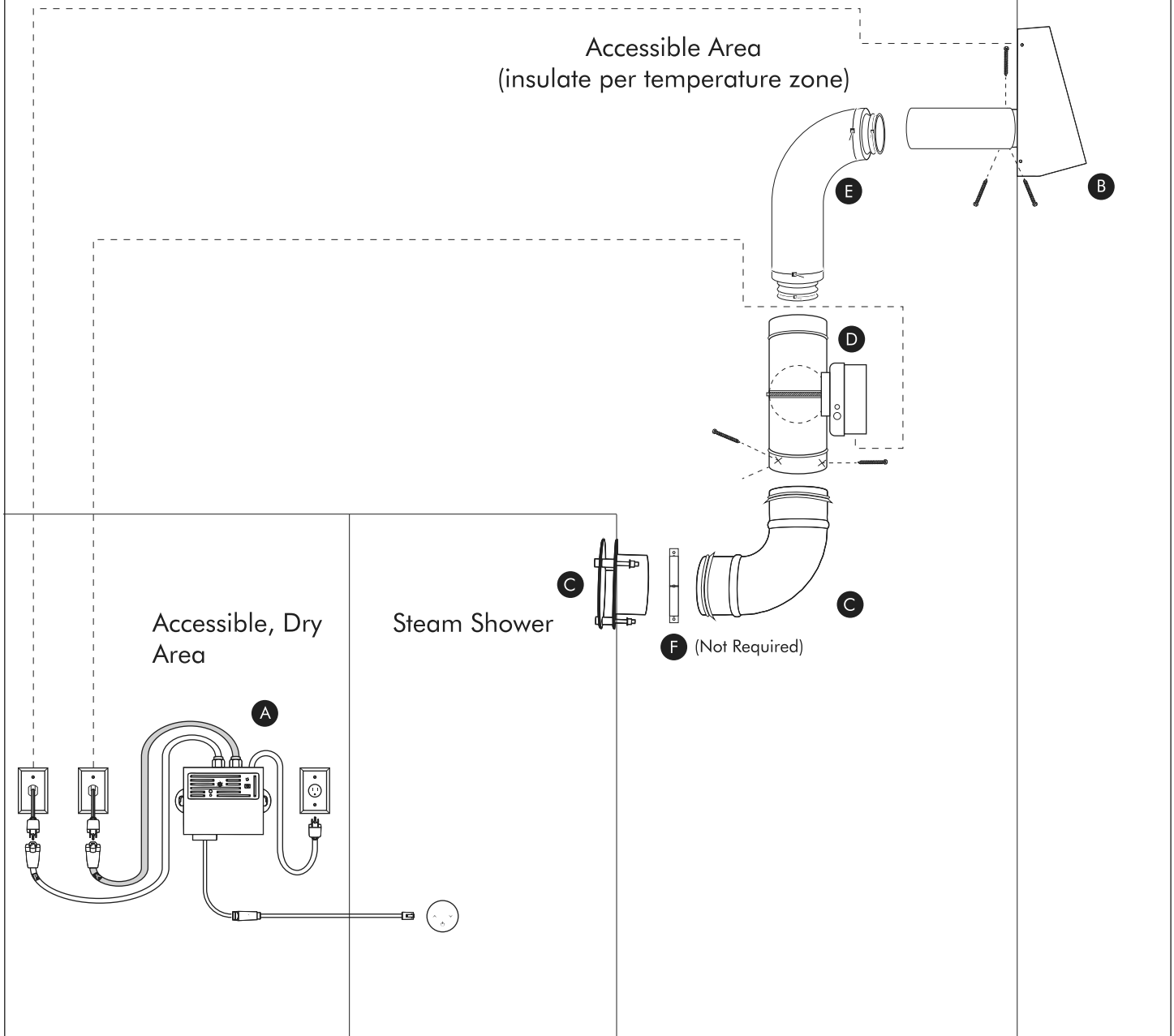
Page	ID	Product
12 - 14	A	Power Supply and Switch
19 - 22	B	Exterior Wall Fan
23 - 26	C	Exhaust Grille / Exhaust Flange and 90° Elbow, Gasketed, 4"
27	D	Motorized Damper, 4"
28 - 29	E	Duct, 4"
30	F	Mounting Strap



Typical Installation - Exterior Wall

Important: It is recommended that all electrical equipment be tested prior to installation.

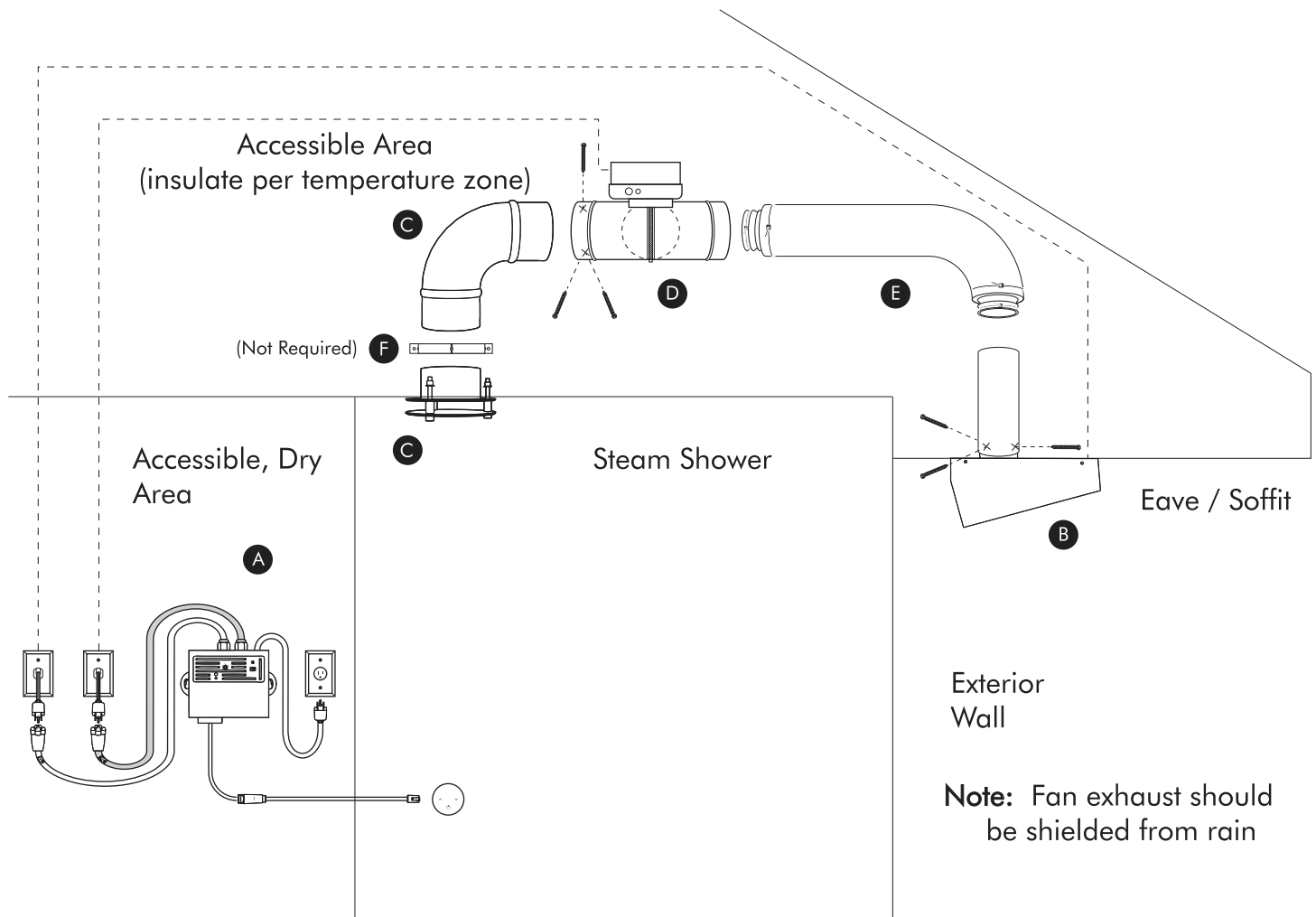
Page	ID	Product
12 - 14	A	Power Supply and Switch
15 - 18	B	Exterior Wall Fan
23 - 26	C	Exhaust Grille / Exhaust Flange and 90° Elbow, Gasketed, 4"
27	D	Motorized Damper, 4"
28 - 29	E	Duct, 4"
30	F	Mounting Straps



Typical Installation - Exterior Wall

Important: It is recommended that all electrical equipment be tested prior to installation.

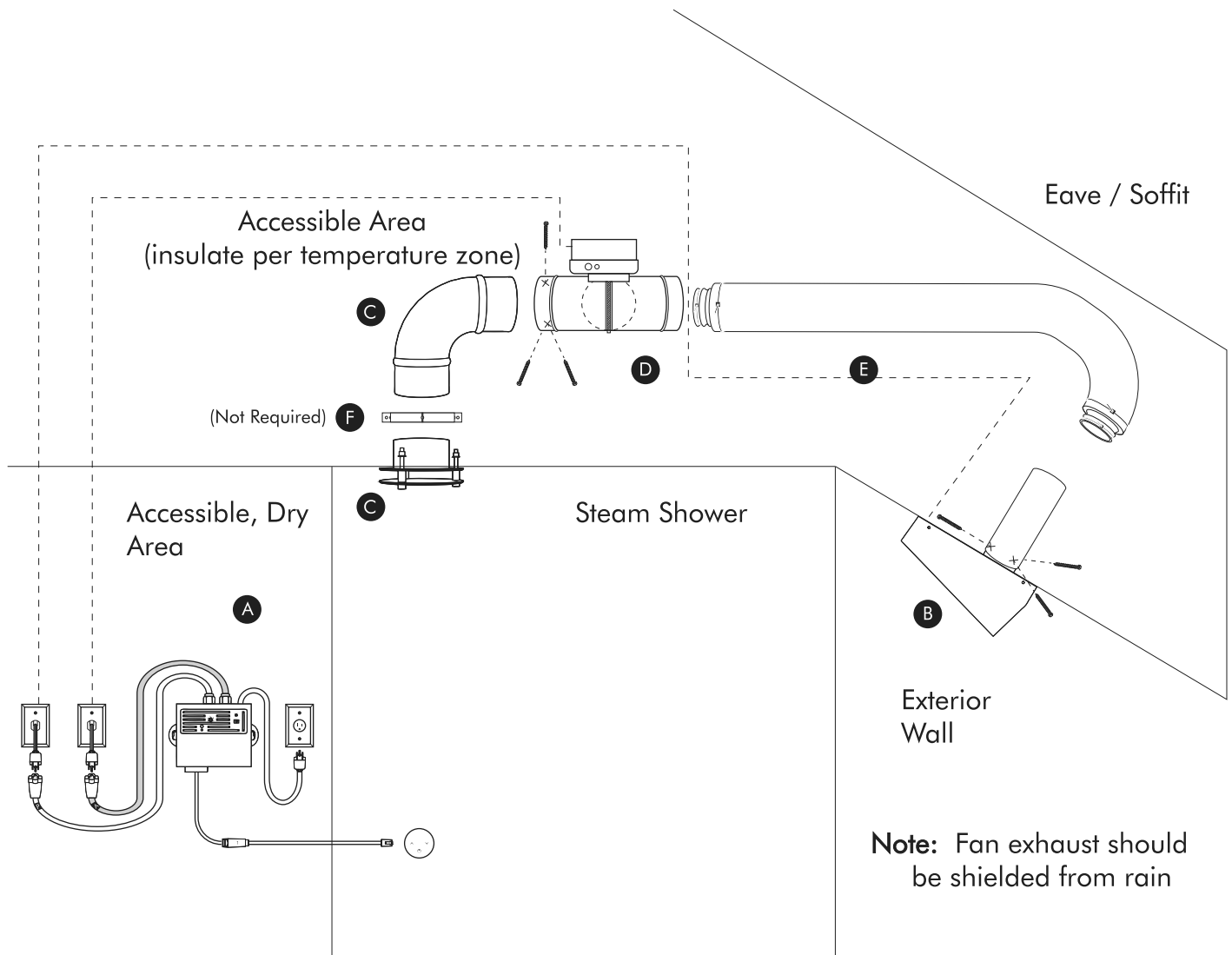
Page	ID	Product
12 - 14	A	Power Supply and Switch
15 - 17	B	Exterior Wall Fan
23 - 26	C	Exhaust Grille / Exhaust Flange and 90° Elbow, Gasketed, 4"
27	D	Motorized Damper, 4"
28 - 29	E	Duct, 4"
30	F	Mounting Straps



Typical Installation - Exterior Wall

Important: It is recommended that all electrical equipment be tested prior to installation.

Page	ID	Product
12 - 14	A	Power Supply and Switch
15 - 18	B	Exterior Wall Fan
23 - 26	C	Exhaust Grille / Exhaust Flange and 90° Elbow, Gasketed, 4"
27	D	Motorized Damper, 4"
28 - 29	E	Duct, 4"
30	F	Mounting Strap

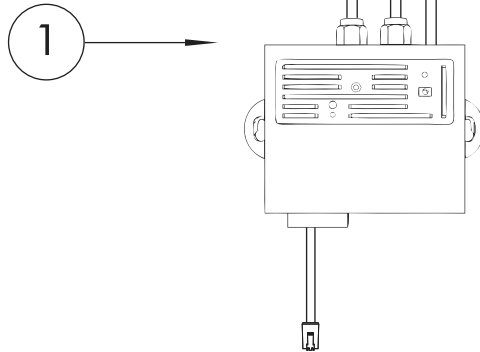


Control Specifications and Considerations

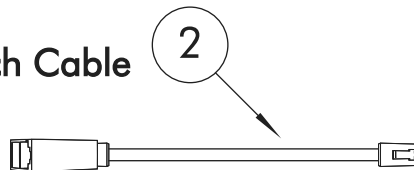
Specifications

Power Supply Module

Operating Voltage: 120VAC
 Nominal Amperage: 15A
 Length: 7-7/8"
 Width: 7-1/2"
 Height: 3-1/4"
 Testing: CSA, Type 2

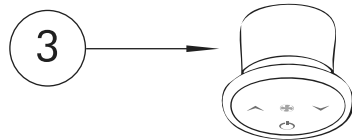


25' Soft Touch Switch Cable with Coupler



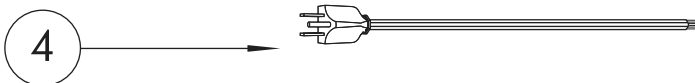
Note: Only use the coupler provided when assembling the components of this kit

Soft-Touch Fan Switch (3)

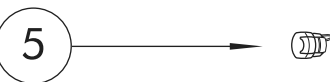


Type: Flush-Mounted
Voltage: 5VDC
Diameter: 2-1/32"
Trim Depth: 3/16"
Trim Finish: Polish Chrome or Brushed Nickel
Body Diameter: 1-17/32"
Body Depth: 1-5/16"
Rough-in Cut-out: 1-1/2" Diameter
Time Circuit: 20-Minute Off Delay
Maximum Wall Thickness: 2-1/2"

NEMA Male Plug (4)



Strain Relief Bushing (5)



Mounting Screws (6)



Anchors (7)



Installation Considerations

Please read this manual in its entirety prior to installation.

- **Note:** Prior to installation, consider the placement of the Soft-Touch fan switch carefully, taking into account the location of electrical, plumbing, and other fixtures.
- **Note:** All wiring must be done in accordance with National Electrical Code and local building code.
- **Note:** The Atmospheric 410 in-shower fan switch is designed to be installed inside or outside the bathing environment dependant on personal preference.
- **Warning:** If the Soft-Touch fan switch is installed inside the bathing environment, it must be located approximately 48" above the floor, on a vertical wall, convenient for user operation. It must also avoid hazardous elements such as steam emissions.

CAUTION For safety purposes, use safety goggles at all times.

WARNING Before wiring to power supply, turn off electricity at the fuse or circuit breaker box.

WARNING Check for piping/electrical before cutting or drilling.

WARNING Some electrical components are not waterproof.

WARNING If there is any risk of uninsulated electrical connections in your wall/ceiling area, use insulating gloves.

Fan Installation

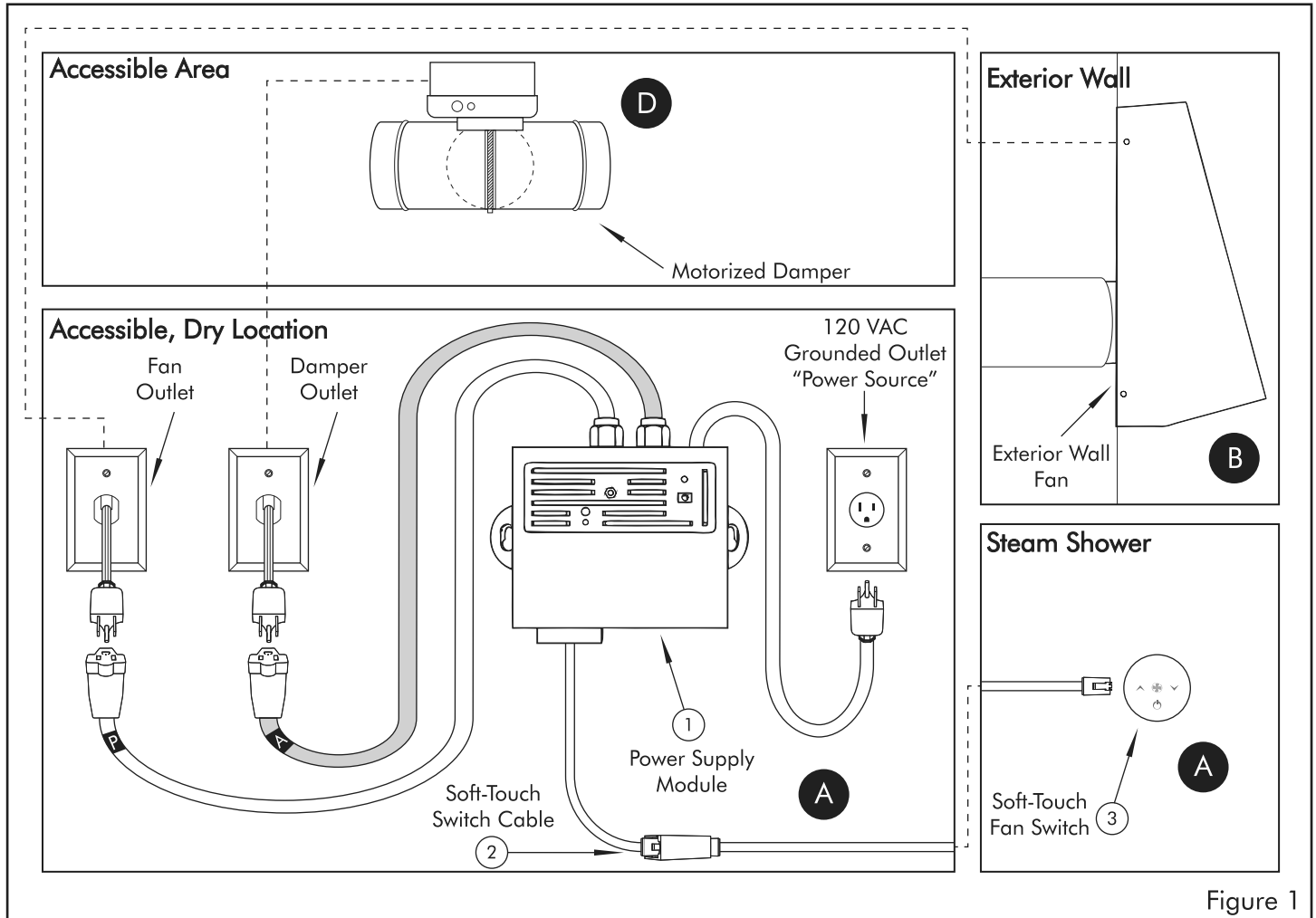


Figure 1

Installation

1. Using mounting screws (6), mount the power supply module (1) in an accessible dry location and within the 25' run of the Soft-Touch switch cable (2) length.
2. Install three electrical boxes and within 36" of the power supply module (1) (see figure 1).
3. Run a 120VAC power supply circuit to a 15 amp grounded outlet "Power Source" (not supplied).
4. Run motorized damper wires to single gang electrical box "Damper Outlet".
5. Run the fan wires to single gang electrical box "Fan Outlet".
6. Mount supplied NEMA male plug (4) and strain relief bushing (5) to a cover with 1/2" knockout (not supplied). Connect to motorized damper wires (see figure 2). Repeat for fan wires.

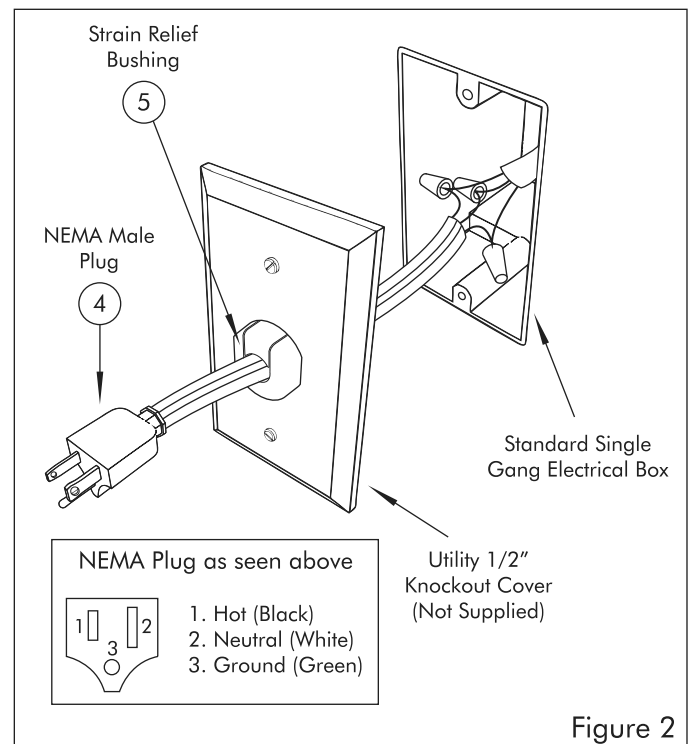
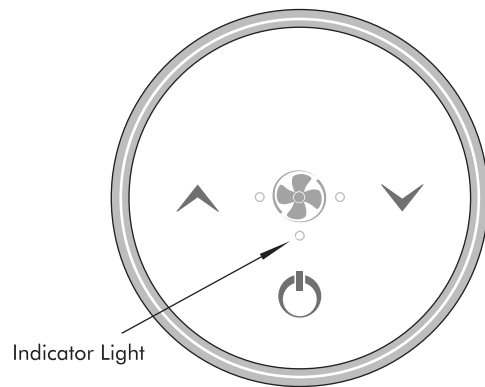
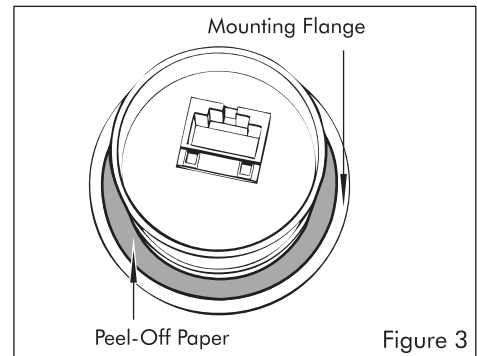


Figure 2

Fan Specifications and Installation

Installation (continued)

7. Make a 1-1/2" diameter hole at the desired Soft-Touch fan switch (3) location.
8. Route the 25' Soft-Touch switch cable (2) from the Soft-Touch fan switch (3) to the 6' power supply module (2) switch tether (see figure 1 on page 13).
9. With a clean and dry mounting surface, remove the peel-off paper from the back of the Soft-Touch fan switch (3) (see figure 3). For wet environments, run a thin bead of silicone completely around the mounting flange. Press the Soft-Touch fan switch (3) against the wall until the adhesive sticks.
10. Plug in the NEMA male plug (4) from "Fan Outlet" into 4' female power supply module cord marked with tape "P".
11. Plug in the NEMA male plug (4) from "Damper Outlet" into 4' female power supply module cord marked with tape "A".
12. Plug in the 4' male power supply module cord into the grounded 120VAC power supply circuit outlet "Power Source".
13. Allow silicone to cure for 24 hours before exposing Soft-Touch light switch to any source of moisture.



Operation



On/Off fan button. The first press will turn the fan on full power, and turn the damper on. The red indicator light just above the button will light up, indicating the power is on. The second press will turn the fan and damper off, as well as its red indicator light.



Increase fan button. Press or hold to increase fan speed. Red indicator light to its right will light up while pressed.



Decrease fan button. Press or hold to decrease fan speed. Red indicator light to its left will light up while pressed.

Product Care

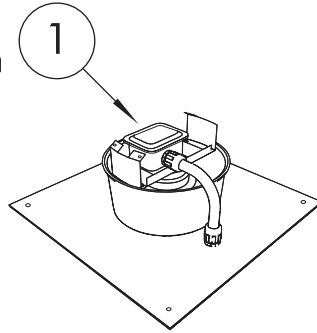
For routine cleaning, simply use a soft damp cloth and common household soap. Use a damp cloth to wipe clean, then dry. Clean product frequently to avoid calcium deposits on surfaces. Use only mild soap. **Never use abrasive cleaners, bleach, disinfectants or cleaning products containing alcohol, ammonia, hydrochloric or phosphoric acids** as they may damage the product's finish. To clean electrical components, gently wipe down using a dry cloth or duster. **Never use a wet duster, water, or any other liquid to clean the device.**

Fan Specifications and Installation

Specifications

116 CFM Roof / Wall Fan

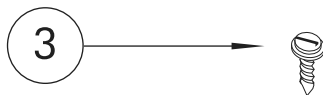
- Operating Voltage:** 120VAC
- Power Consumption:** 19 W
- Nominal Amperage:** .18 Amps
- CFM:** 116
- Lubrication:** Permanently Lubricated
Sealed Ball Bearings
- Protection:** Thermal Overload,
Automatic Reset
- Speed Control:** 100% Speed Controllable
- Testing:** U.L. Listed; CSA Certified
- Airstream Tolerance:** Suitable for Airstream
Temperatures up to 140°F
- Composition:** 22 Gauge, Galvanized Steel
Housing, Baked Powder-Coat Finish
- Rough-in Cutout:** 5-3/8"
- Duct Connection:** 5"



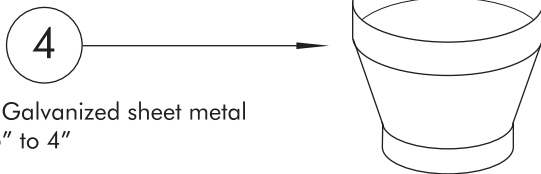
Fan Cover



Fan Cover Screws

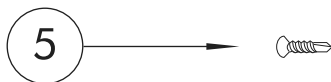


Reducer



- Composition:** Galvanized sheet metal
- Connection:** 5" to 4"

*Reducer Screws



*Packaged with "Additional Hardware"

Installation

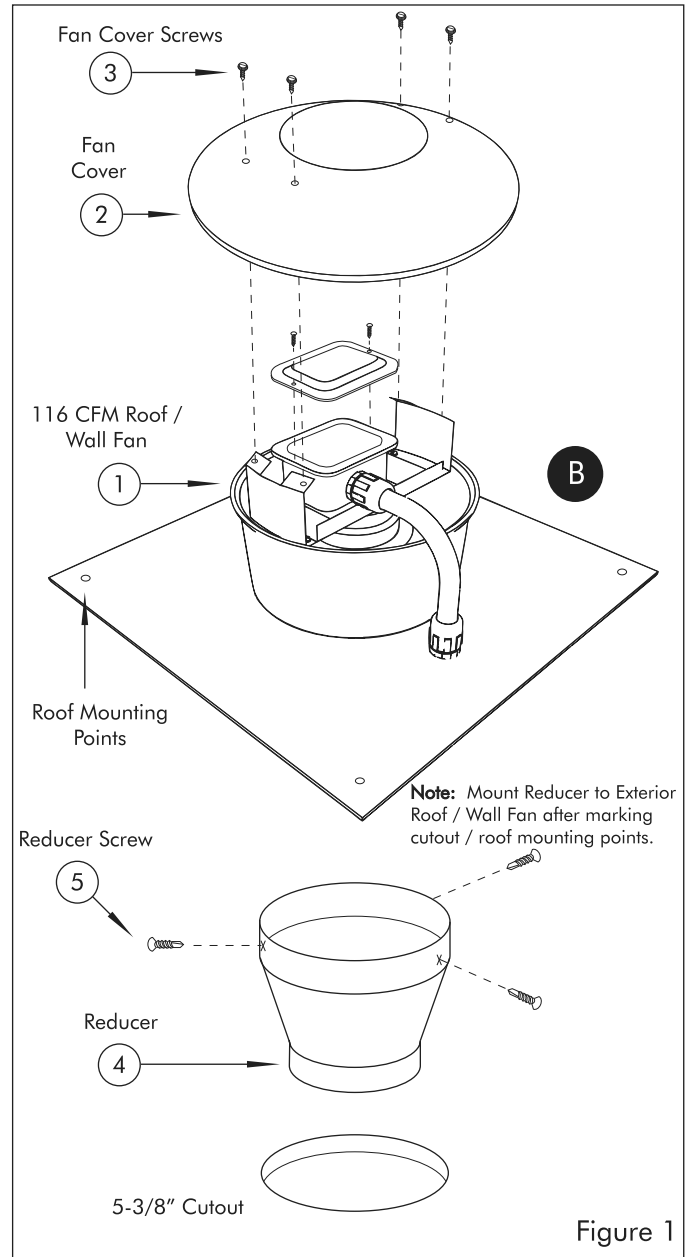


Figure 1

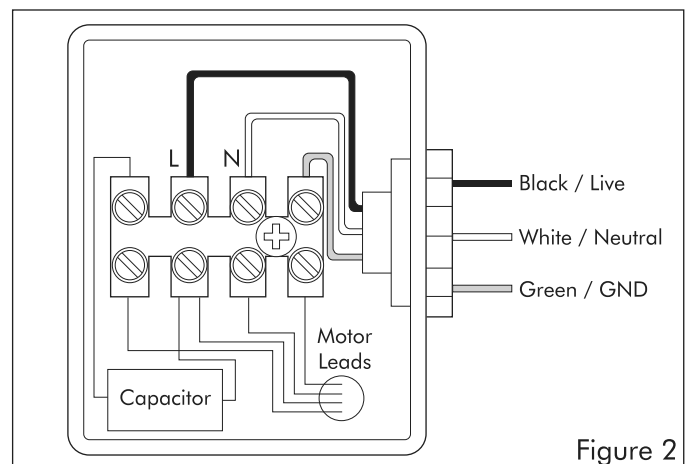


Figure 2

Fan Installation

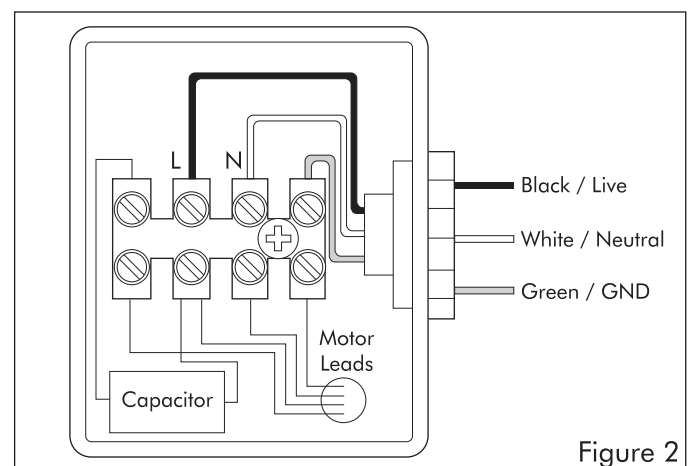
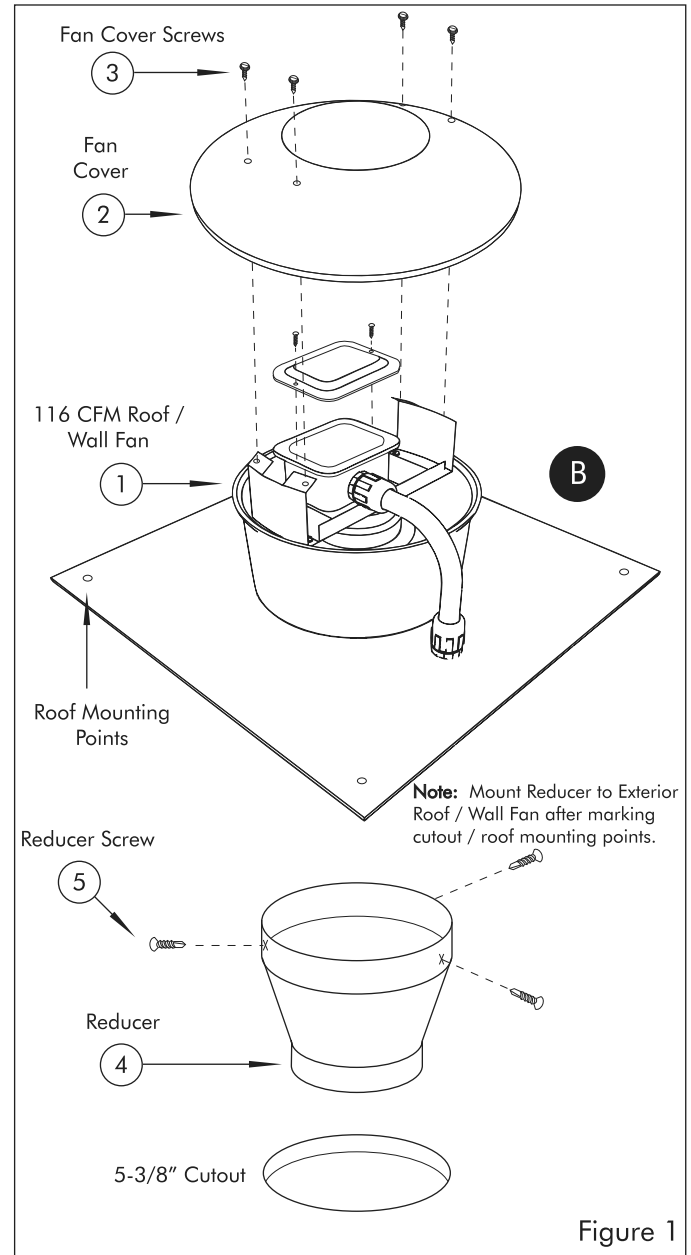
Installation Considerations

- **Caution:** For general ventilation use only. Do not use to exhaust hazardous or explosive materials and vapors.
 - **Warning:** For your safety, read and understand instructions completely before starting. Before wiring to power supply, turn off electricity at the fuse or circuit breaker box. Make sure electrical service to fan is locked in "OFF" position.
 - **Warning:** Install in accordance with local and building codes.
 - **Warning:** Check voltage at the fan to see if it corresponds to the motor nameplate.
 - **Warning:** Guards must be installed when fan is within reach of personnel or within seven (7) feet of working level or when deemed advisable for safety.
 - **Note:** Prior to installation, consider the placement of the 116 CFM Roof/Wall Fan carefully, taking into account the location of electrical, plumbing, and other fixtures.
 - **Note:** This unit has rotating parts and safety precautions should be exercised during installation, operation and maintenance.
 - **Note:** All wiring must be done in accordance with National Electrical Code and local building code.
 - **Note:** The combustion air-flow needed for safe operation of fuel burning equipment may be affected by this unit's operation. Follow the heating equipment manufacturer's guidelines and safety standards such as those published by the National Fire Protection Association (NFPA), the American Society of Heating, Refrigeration, and Air Conditioning Engineers (ASHRAE).
 - **Note:** Exhaust fans must always be vented to the outdoors.
 - **Note:** The fan should be located a minimum of 6' horizontally and 8' vertically from any fresh air intakes to prevent re-entrainment of exhaust air streams. Windows that are frequently opened may also be considered fresh air intakes.
 - **Note:** Suitable sealing such as tar or similar material (not supplied) should be used to prevent leakage.
 - **Note:** It is recommended a minimum 8' of insulated flexible ducting be used between any expansion vent and fan for low noise level. Keep the duct run as short as practical. Over 25' is not recommended.
 - **Note:** Follow all applicable codes and standards.
- CAUTION** For safety purposes, use safety goggles at all times.
- WARNING** Before wiring to power supply, turn off electricity at the fuse or circuit breaker box.
- WARNING** Check for piping/electrical before cutting or drilling.
- WARNING** If there is any risk of uninsulated electrical connections in your wall/ceiling area, use insulating gloves.

Fan Installation

Installation

1. Select the location on the exterior roof or wall where the fan (1) is to be mounted. The base may be mounted directly on deck beneath roof shingles or upper edge of base plate may be slid underneath shingles.
2. Make a 5-3/8" hole through desired location (see figure 1).
3. Place fan (1) in desired location. Mark the location of the four base plate mounting holes and electrical knockout.
4. Drill a hole for the electrical service that is 1/8" larger than the size of conduit to be used.
Note: A 7/8" diameter electrical service opening is provided on the fan base plate.
5. Securely screw or bolt the base plate of fan (1) to roof through the four corner mounting points.
6. Using provided reducer screws (5), mount reducer (4) to fan (1) duct connection.
7. Remove the four fan cover screws (3).
8. Bring electrical supply through the wall or roof. Be certain to use proper connector type for securing conduit or cable.
9. Do not connect power supply until fan is completely installed. Make sure electrical service to the fan is locked in "off" position.
10. Remove the screws securing the terminal box cover plate.
11. Move capacitor to allow access to terminal strip (see figure 2).
12. Tighten neutral (white) wire of the incoming supply under the open terminal strip port labelled "N"



Fan Installation

Installation

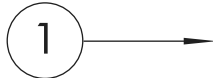
13. Tighten the live (black) wire of the incoming supply under the open terminal strip port labeled "L".
14. Connect the ground (green) wire to the ground connection on the terminal block.
15. Place capacitor back into the terminal box and replace terminal box cover.
16. Mount fan cover (2) on fan (1) using the fan cover screws (3).
17. Once secured and wired, generously apply tar or other sealant around edges of base to prevent leakage. Be sure to replace any lifted shingles.

Product Care

For routine cleaning, simply use a soft damp cloth and common household soap. Use a damp cloth to wipe clean, then dry. Clean product frequently to avoid calcium deposits on surfaces. Use only mild soap. **Never use abrasive cleaners, bleach, disinfectants or cleaning products containing alcohol, ammonia, hydrochloric or phosphoric acids** as they may damage the product's finish.

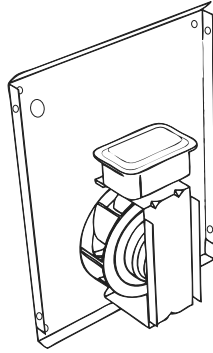
Fan Specifications and Installation

Specifications

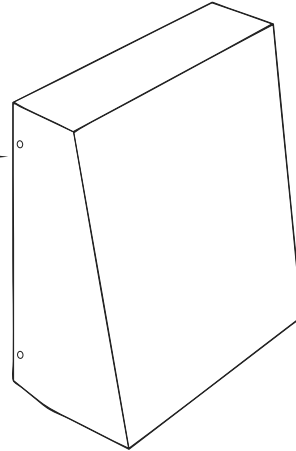


124 CFM Exterior Wall Fan

- Operating Voltage:** 120VAC
- Power Consumption:** 19 W
- Nominal Amperage:** .17 Amps
- CFM:** 124
- Lubrication:** Permanently Lubricated
Sealed Ball Bearings
- Protection:** Thermal Overload,
Automatic Reset
- Speed Control:** 100% Speed Controllable
- Testing:** CSA Listed, HVI Certified, U.L. Listed,
Energy Star Rated
- Airstream Tolerance:** Suitable for Airstream
Temperatures up to 140°F
- Composition:** 20 Gauge, Galvanized Steel
Housing, Baked Powder-Coat Finish
- Rough-in Cutout:** 4-3/8"
- Duct Connection:** 4



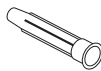
Fan Cover



Fan Cover Screws



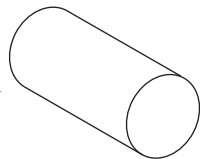
Anchors



Mounting Screws



*Extension Collar

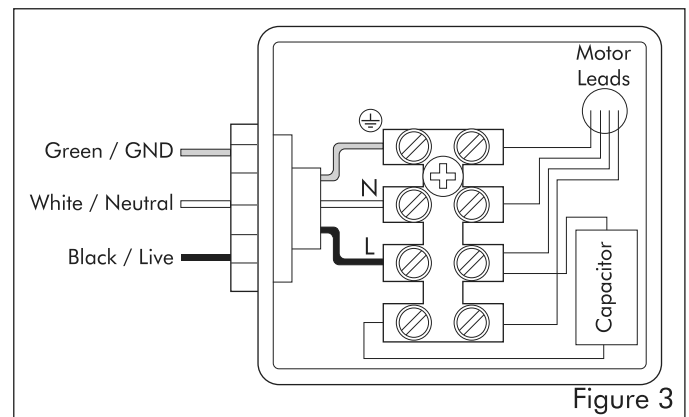
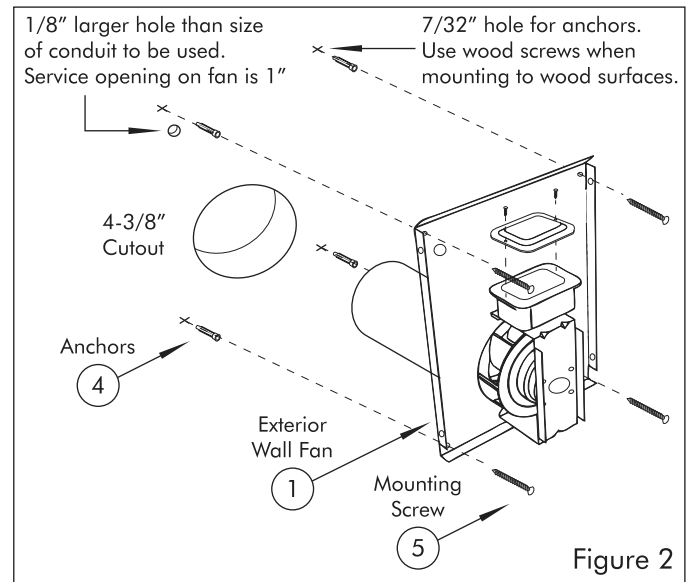
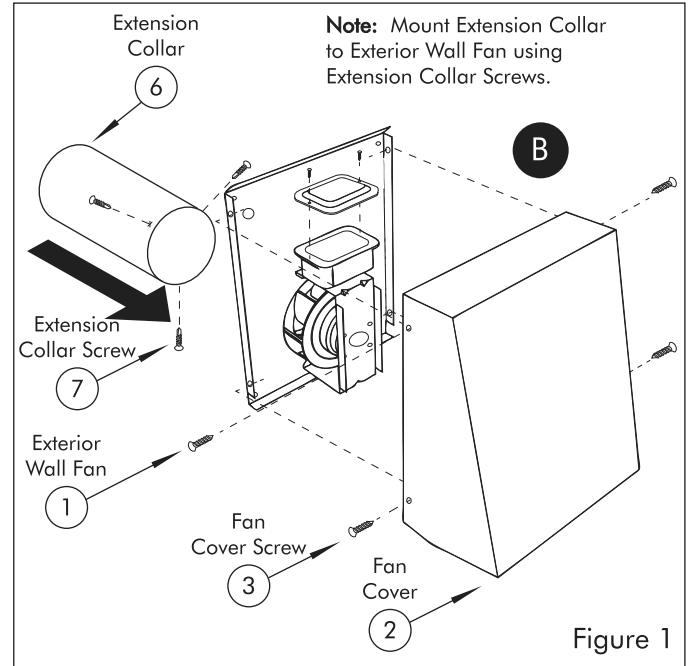


*Extension Collar Screws



*Packaged with "Additional Hardware"

Installation



Fan Installation

Installation Considerations

- **Caution:** For general ventilation use only. Do not use to exhaust hazardous or explosive materials and vapors.
- **Warning:** For your safety, read and understand instructions completely before starting. Before wiring to power supply, turn off electricity at the fuse or circuit breaker box. Make sure electrical service to fan is locked in "OFF" position.
- **Warning:** Install in accordance with local and building codes.
- **Warning:** Check voltage at the fan to see if it corresponds to the motor nameplate.
- **Warning:** Guards must be installed when fan is within reach of personnel or within seven (7) feet of working level or when deemed advisable for safety.
- **Note:** Prior to installation, consider the placement of the 124 CFM Exterior Wall Fan carefully, taking into account the location of electrical, plumbing, and other fixtures.
- **Note:** This unit has rotating parts and safety precautions should be exercised during installation, operation and maintenance.
- **Note:** All wiring must be done in accordance with National Electrical Code and local building code.
- **Note:** The combustion air-flow needed for safe operation of fuel burning equipment may be affected by this unit's operation. Follow the heating equipment manufacturer's guidelines and safety standards such as those published by the National Fire Protection Association (NFPA), the American Society of Heating, Refrigeration, and Air Conditioning Engineers (ASHRAE).
- **Note:** Exhaust fans must always be vented to the outdoors.
- **Note:** Install fan at least 5' above the floor.
- **Note:** The fan should be located a minimum of 6 feet horizontally and 8' vertically from any fresh air intakes to prevent re-entrainment of exhaust air streams. Windows that are frequently opened may also be considered fresh air intakes.
- **Note:** It is recommended a minimum 8' of insulated flexible ducting be used between any expansion vent and fan for low noise level. Keep the duct run as short as practical. Over 25' is not recommended.

CAUTION For safety purposes, use safety goggles at all times.

WARNING Before wiring to power supply, turn off electricity at the fuse or circuit breaker box.

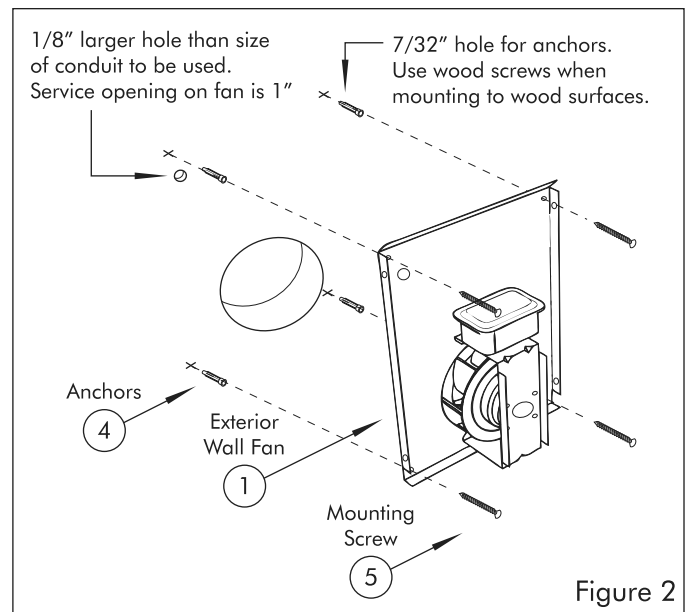
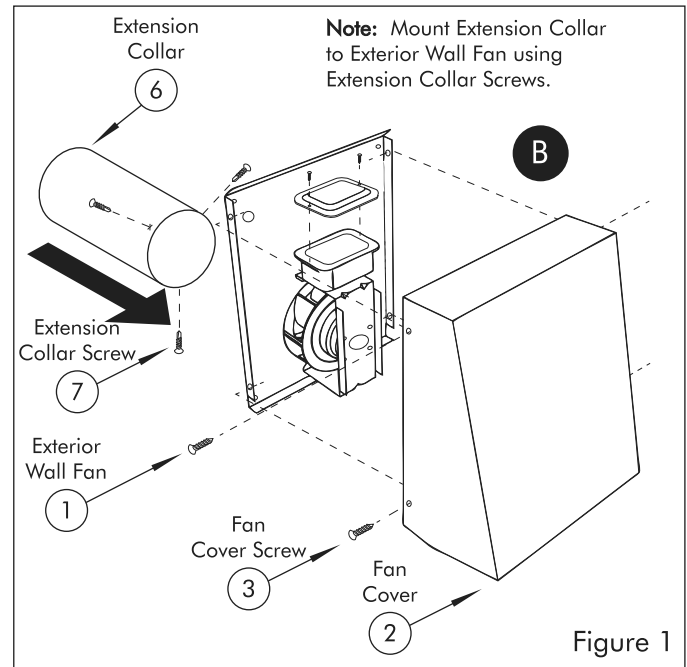
WARNING Check for piping/electrical before cutting or drilling.

WARNING If there is any risk of uninsulated electrical connections in your wall/ceiling area, use insulating gloves.

Fan Installation

Installation

1. Using provided extension collar screws (7), mount the extension collar (6) to the fan (1) duct connection. The connection should be as tight as possible to prevent leakage from the wall cavity (see figure 1).
2. Remove the four fan cover screws (3).
3. Select the location on the exterior wall where the exterior wall fan (1) is to be mounted.
4. Make a 4-3/8" hole through the desired wall location (see figure 2).
5. Place fan (1) against the wall, centered on the opening. Mark the location of the four backplate mounting holes and electrical knockout.
6. Drill a hole for the electrical service that is 1/8" larger than the size of conduit to be used.
Note: A 1" diameter electrical service opening is provided on the fan backplate.
7. When mounting the fan on a masonry wall, drill 7/32" holes for the four anchors (4) and mounting screws (5) provided.
8. Tap the anchors flush into the holes. **Note:** When mounting the fan on a wood surface, wood screws should be used.
9. If the fan (1) is to be mounted on a wall surface which is lapped siding, a mounting frame made from 1x1 board may be necessary for a flush fit.
10. Bring electrical supply through the wall.

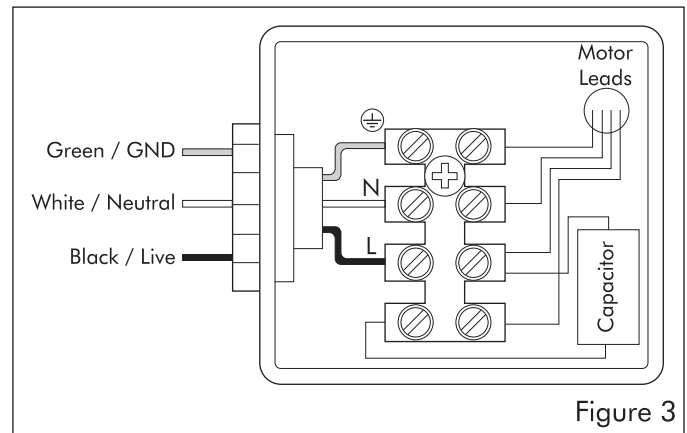


11. Apply a generous amount of polyurethane caulk (not supplied) to the exterior side of the fan housing backplate (except the bottom so that any water that leaked in can drain back out). This will ensure an airtight/waterproof connection between the fan and the wall surface. If a mounting frame is used in conjunction with lapped siding, be certain to apply a generous amount of caulk between the frame and the wall, as well as the fan backplate and the frame.

Fan Installation

Installation (Continued)

12. Mount the fan (1) to the wall. **Note:** Be certain to make an airtight seal around all interior wall penetrations before attaching duct work.
13. If the fan is being mounted in a location where it is not protected by an eave, it is highly recommend that a standard flashing be installed and sealed against the wall and upper edge of the fan discharge cover to prevent rain water running down the wall surface from entering the fan housing.



Wiring the Fan

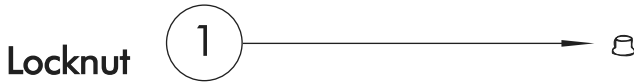
14. Do not connect power supply until fan is completely installed. Make sure electrical service to the fan is locked in "off" position.
15. Remove the screws securing the terminal box cover plate.
16. Using a 3/8" romex type cable restraint connector, bring incoming electrical service through the fan electrical service opening. **Note:** Place connector nut over the wiring coming into the terminal box.
17. Move capacitor to allow access to terminal strip (see figure 3).
18. Tighten neutral (white) wire of the incoming supply under the open terminal strip port labelled "N".
19. Tighten the live (black) wire of the incoming supply under the open terminal strip port labeled "L".
20. Connect the ground wire to the ground connection on the terminal block.
21. Secure romex connector, and incoming supply with romex connector.
22. Place capacitor back into the terminal box and replace terminal box cover.
23. Mount fan cover (2) to fan (1) using fan cover screws (3).

Product Care

For routine cleaning, simply use a soft damp cloth and common household soap. Use a damp cloth to wipe clean, then dry. Clean product frequently to avoid calcium deposits on surfaces. Use only mild soap. **Never use abrasive cleaners, bleach, disinfectants or cleaning products containing alcohol, ammonia, hydrochloric or phosphoric acids** as they may damage the product's finish.

Exhaust Grille / Exhaust Flange Specifications and Installation

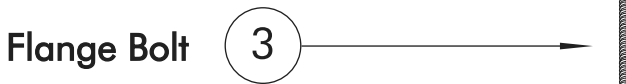
Specifications



Composition: Stainless Steel
Threading: #10-24



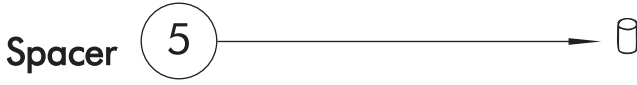
Dimensions: 1" Diameter
Composition: Stainless Steel



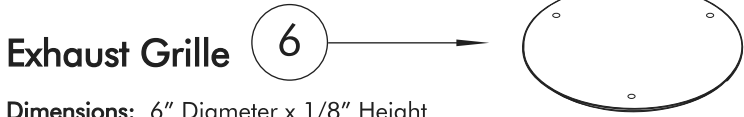
Composition: Stainless Steel
Threading: #10-24



Dimensions: 6" Diameter x 2-1/8" Height
Flange Composition: 304 Stainless Steel, 45° Chamfered Edge, #4 Sanitary Finish
Housing Composition: 20 Gauge, 304 Stainless Steel, Continuously Stitch Welded
Rough-in Cut-Out: 4-1/8"



Dimensions: 1/2" Diameter, 3/4" Height
Composition: Stainless Steel
Threading: #10-24



Dimensions: 6" Diameter x 1/8" Height
Composition: 304 Stainless Steel, 45° Chamfered Edge, #4 Sanitary Finish



Dimensions: 1/2" Diameter
Composition: Vinyl



Dimensions: 1/2" Diameter 5/16" Height
Composition: Stainless Steel
Threading: #10-24



Installation

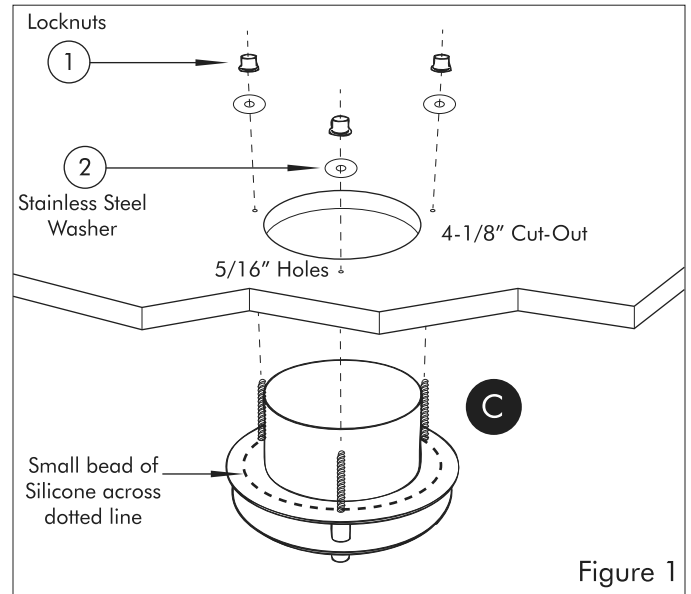
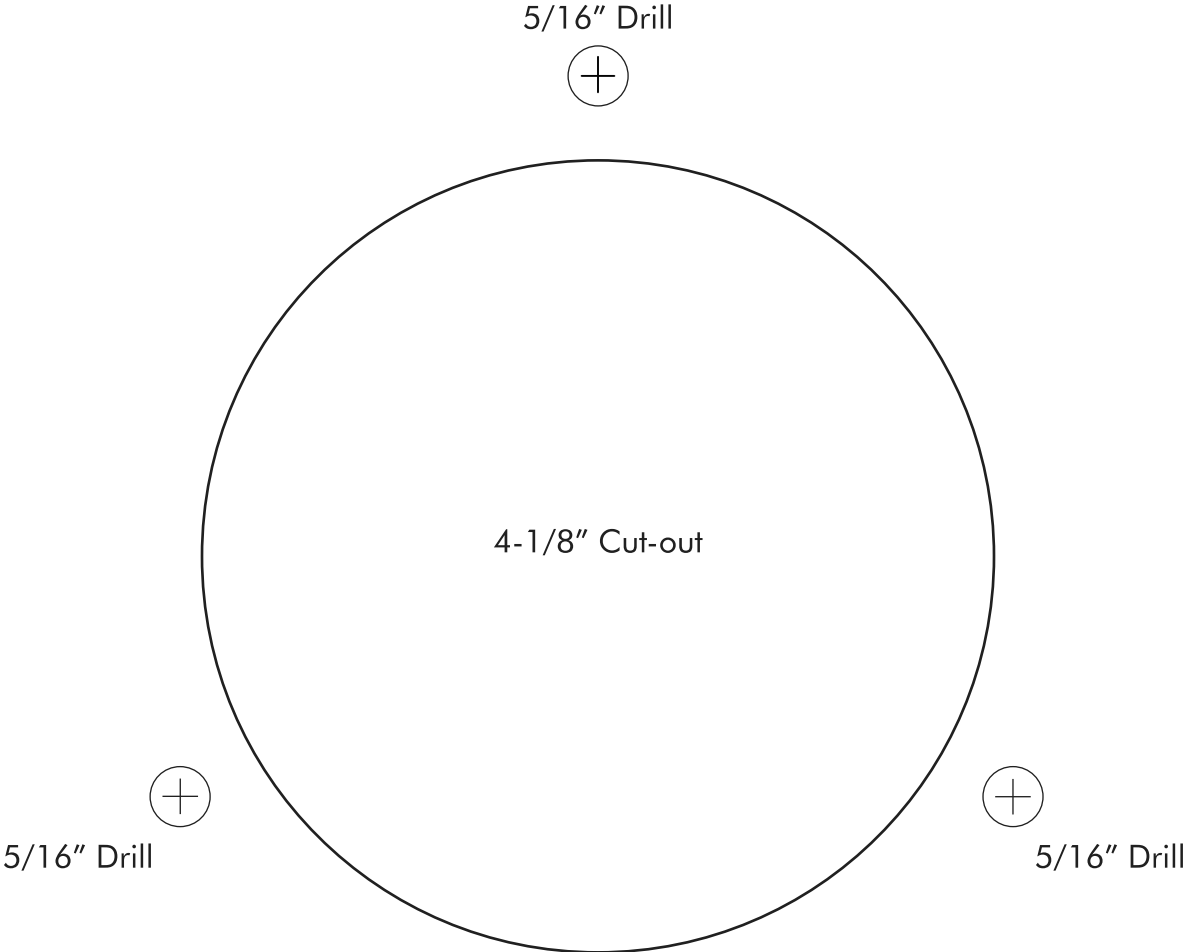


Figure 1

Exhaust Grille / Exhaust Flange Mounting Template



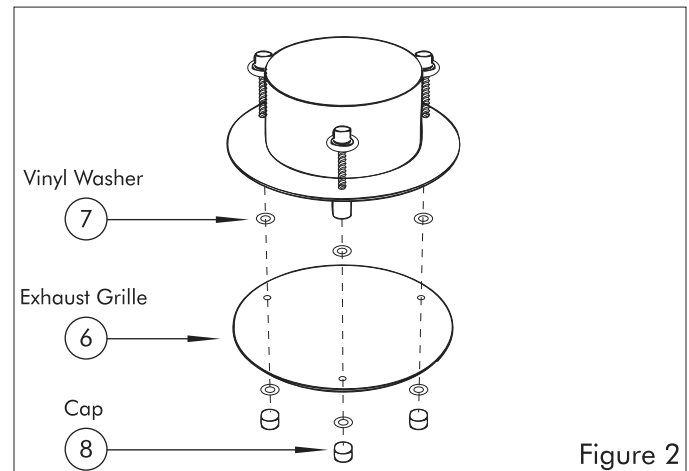
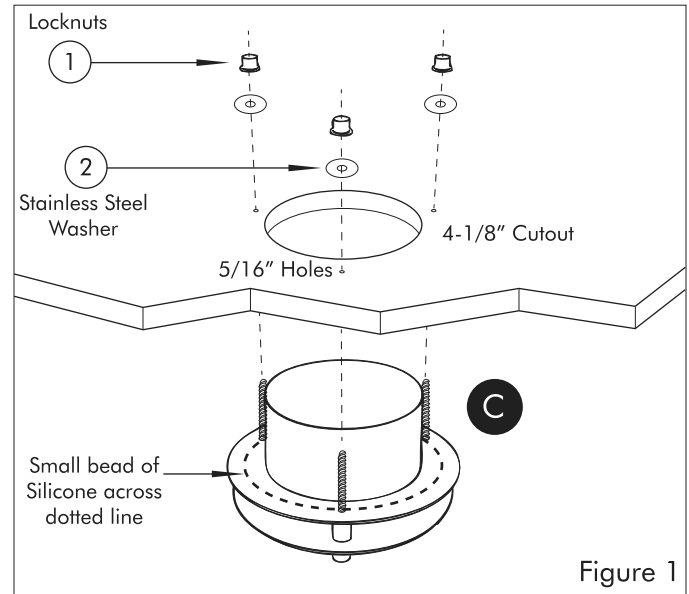
Exhaust Grille Installation

Installation Considerations

- **Warning:** For your safety, read and understand instructions completely before starting.
- **Note:** Prior to installation, consider the placement of the Exhaust Grille carefully, taking into account the location of electrical, plumbing, and other fixtures.
- **Note:** The combustion air-flow needed for safe operation of fuel burning equipment may be affected by this unit's operation. Follow the heating equipment manufacturer's guidelines and safety standards such as those published by the National Fire Protection Association (NFPA), the American Society of Heating, Refrigeration, and Air Conditioning Engineers (ASHRAE).
- **Note:** Exhaust fans must always be vented to the outdoors.

Installation

1. Based on the bathroom layout and fixtures, plan the location of the exhaust grille for the most effective ventilation.
2. Use template to mark desired cut-out location and mounting holes.
3. Make 4-1/8" cut-out and drill 5/16" clearance holes in marked location (see figure 1).
4. Remove locknuts (1) and stainless steel washers (2) from assembly.
5. Place a small bead of silicone around the back edge of the exhaust flange (4).
6. Place exhaust grille /exhaust flange assembly into cutout.
7. Using the locknuts (1) and stainless steel washers (2), mount the exhaust grille / exhaust flange assembly to ceiling.
8. Allow silicone to cure for 24 hours before exposing product to any source of moisture.

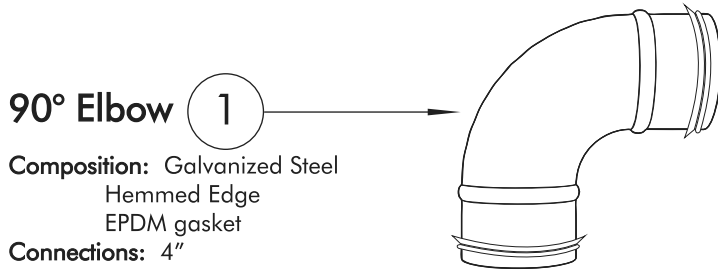


Product Care

1. Remove the exhaust grille (6) by removing the three caps (8) with six vinyl washers (7).
2. For routine cleaning, simply use a soft damp cloth and common household soap. Use a damp cloth to wipe clean, then dry. Clean product frequently to avoid calcium deposits on surfaces. Use only mild soap. **Never use abrasive cleaners, bleach, disinfectants or cleaning products containing alcohol, ammonia, hydrochloric or phosphoric acids** as they may damage the product's finish.
3. Reassemble exhaust grille / exhaust flange assembly (see figure 2).

90° Elbow Specifications / Installation

Specifications



Installation Considerations

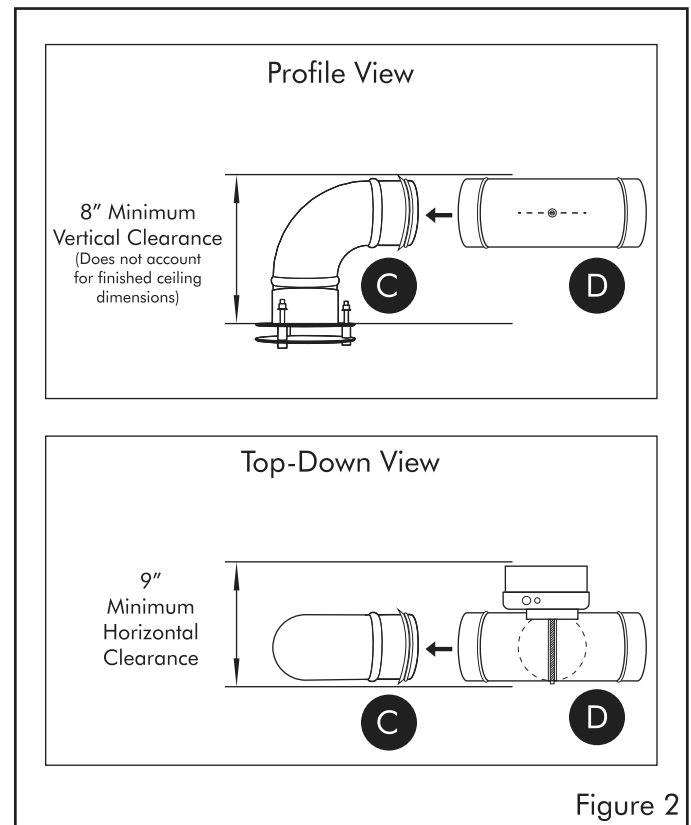
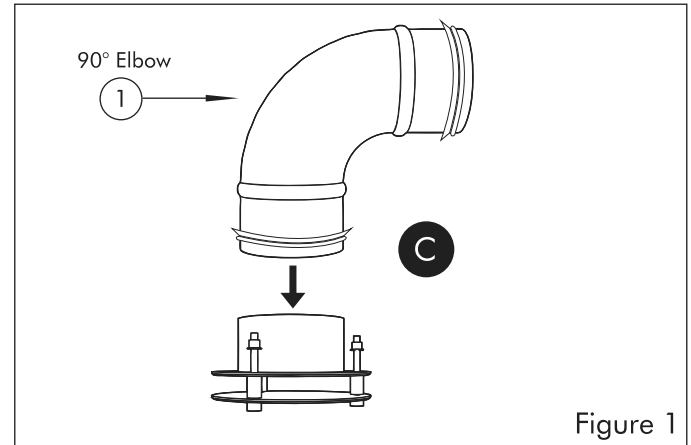
Please read this manual in its entirety prior to installation.

- **Note:** Follow all applicable codes and standards.

Installation

1. Connect 90° Elbow (1) to exhaust grille / exhaust flange assembly (see figure 1).

Installation



Motorized Damper Specifications / Installation

Specifications

Motorized Damper

- Operating Voltage:** 120VAC
Composition: 28 Gauge Galvanized Steel
Endurance Test: 100,000 Cycles of Operation
Features: High Torque Motor
 Return Spring Assembly
 Positive Closure
 Tight Foam Seal
 Floating Motor Mount
 Combined Clutch / Coupler
 Aluminum Motor Cover

*Damper Screws

*Packaged with "Additional Hardware"

Installation Considerations

Please read this manual in its entirety prior to installation.

- **Note:** Output end should never be lower than input.
- **Note:** Follow all applicable codes and standards.

Installation

1. Press and lift wire hole section of the motor cover (see figure 1).
2. Using appropriate connection type, bring incoming electrical service through the electrical service opening.
3. Connect neutral (white) wire to the motorized damper's (1) neutral (white) wire (see figure 2).
4. Connect live (black) wire to the motorized damper's (1) live (black) wire.
5. Connect the ground (green) to the motorized damper's (1) ground (green) wire.
6. Replace motor cover by solid end of cover into the small slot in the motor mount, then swing cover over the motor and slip the second tab into the larger slot (see figure 3).
7. Mount motorized damper (1) to 90° elbow using provided damper screws (2) (see figure 4).

Installation

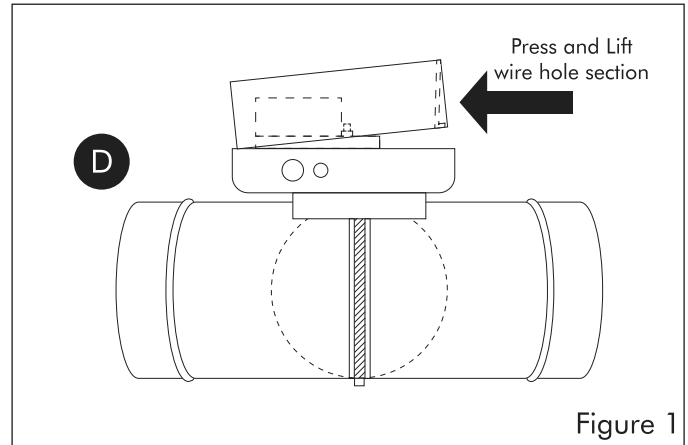


Figure 1

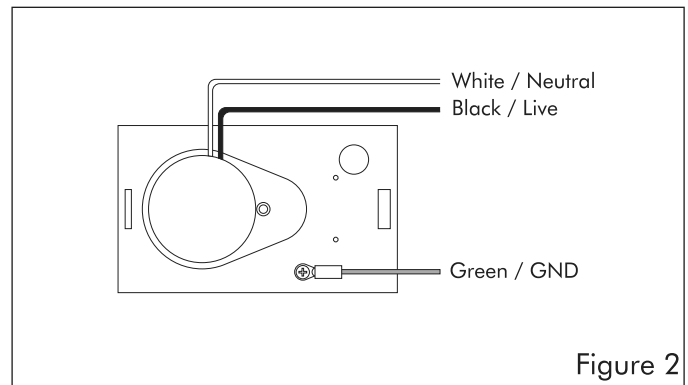


Figure 2

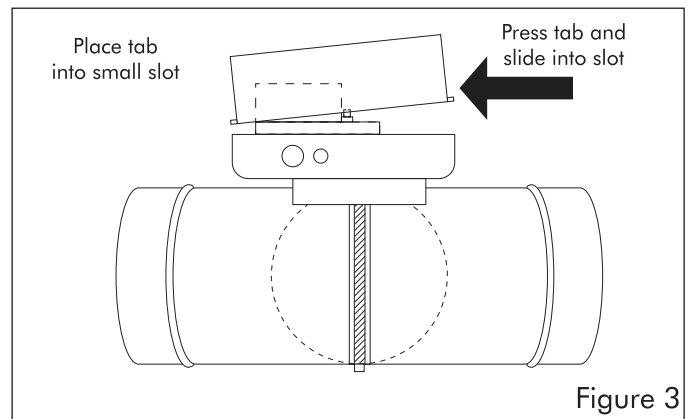


Figure 3

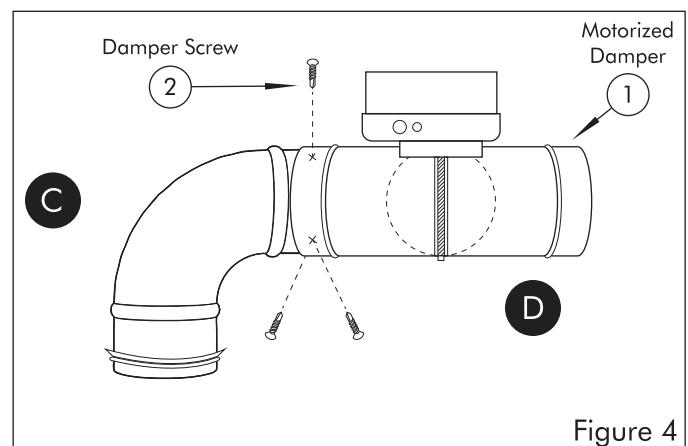


Figure 4

Duct Specifications and Installation

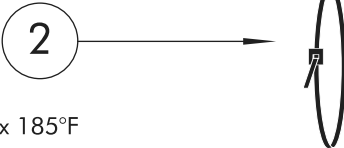
Specifications

Flex Duct, 4" 1



Dimensions: 4" Diameter x 25' Length
Composition: Reinforced Grey Polyester, Fiberglass Insulation
Testing: UK-181
R-Value: 4.2
Operating Temperatures: Max -20°F to 140°F

*Flex Duct Tie, 36" 2



Composition: Nylon
Operating Temperatures: Max 185°F
Tensile Strength: 175 lb.
Testing: UL 181-B-C Approved

*Flex Duct Tie, 18" 3



Composition: Nylon
Operating Temperatures: Max 185°F
Tensile Strength: 175 lb.
Testing: UL 181-B-C Approved

*Mastic Tube 4



Composition: Liquid Sealant, Water Based, UV Resistant, Grey
Use: Indoor / Outdoor
Testing: UL 181B, USDA, FDA, EPA Approved

Installation

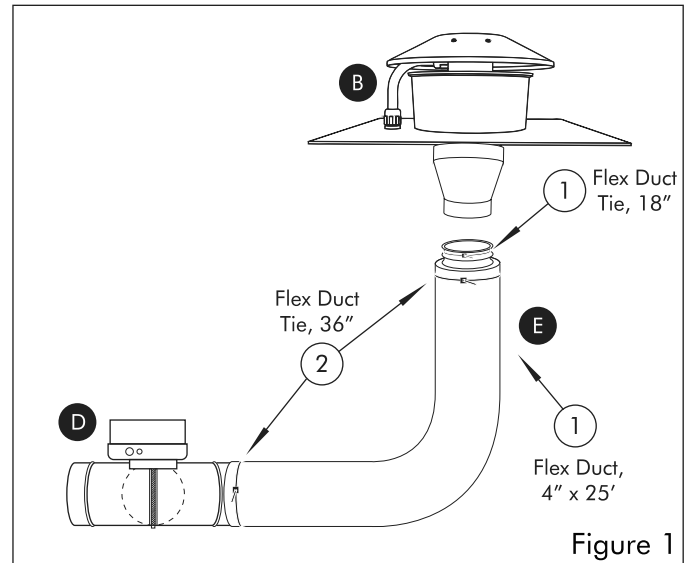


Figure 1

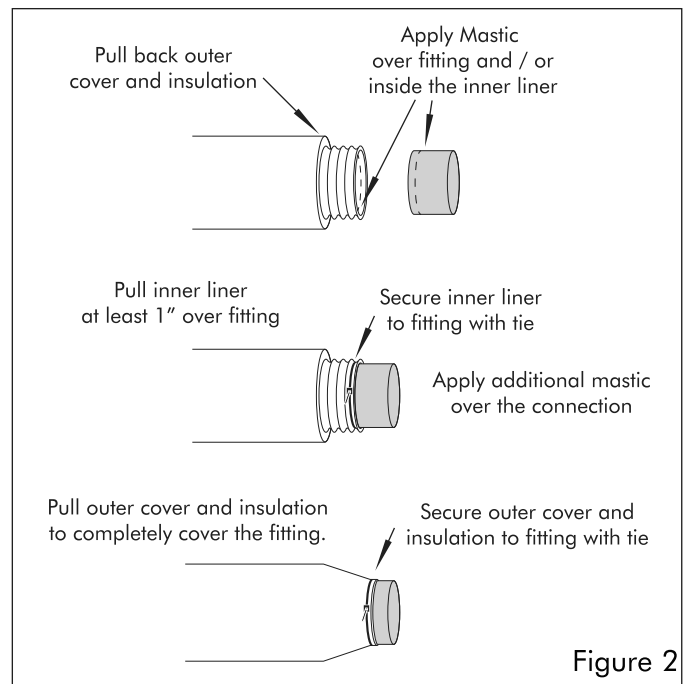


Figure 2

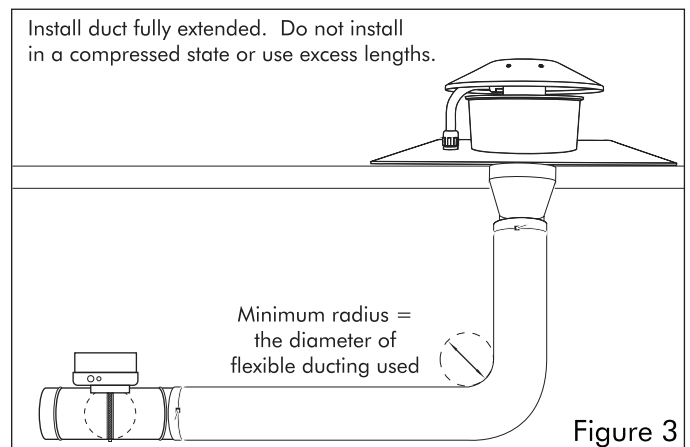


Figure 3

*Packaged with "Additional Hardware"

Duct Installation

Installation Considerations

Note: Do not use “outdoors” or install where duct can be exposed to direct sunlight. Prolonged exposure may cause degradation of vapor barrier.

Note: Do not install where duct can be exposed to UV radiation from bio-treatment lamps within the HVAC system. Exposure may cause degradation of the inner core.

Note: Do not exceed published pressure or temperature limits.

Note: Do not use duct to hang or support any diffuser, register, or other equipment during installation.

Note: Do not use screws or barbed fitting to make connections on ducts with plain ends.

Note: Duct should be supported at 5' maximum intervals unless resting on ceiling joists or truss supports. 1/2" sag per foot of support spacing is permissible. Vertically installed duct shall be stabilized by support straps at a maximum of 6' on center.

Note: Do not use on oval collars for medium or high pressure.

Warning: Insulated flexible duct contains fiber glass wool which has been classified as a possible cancer hazard by inhalation. Fiber glass wool may cause temporary irritation to skin, eyes, and respiratory tract.

Note: Use a properly fitted NIOSH or MSHA approved dust/mist respirator.

Note: Avoid breathing fiber glass duct.

Note: Avoid contact with skin and eyes.

Note: Wear long-sleeved, loose fitting clothing, gloves and eye protection.

Note: Wash with soap and warm water after handling.

Note: Wash work clothes separately and rinse washer thoroughly.

Note: All tapes, mastics, and non-metallic fasteners used for field installation of flexible ducts shall be listed and labeled to Standard UL-181-B - Closure Systems for use with Flexible Air Ducts and Air Connectors. Non-metallic fasteners are limited to 6" w.g. maximum positive pressure.

Note: It is recommended a minimum 8' of insulated flexible ducting be used between any expansion vent and fan for low noise level. Keep the duct run as short as practical. Over 25' is not recommended.

Note: A multipurpose tool is recommended for duct installation.

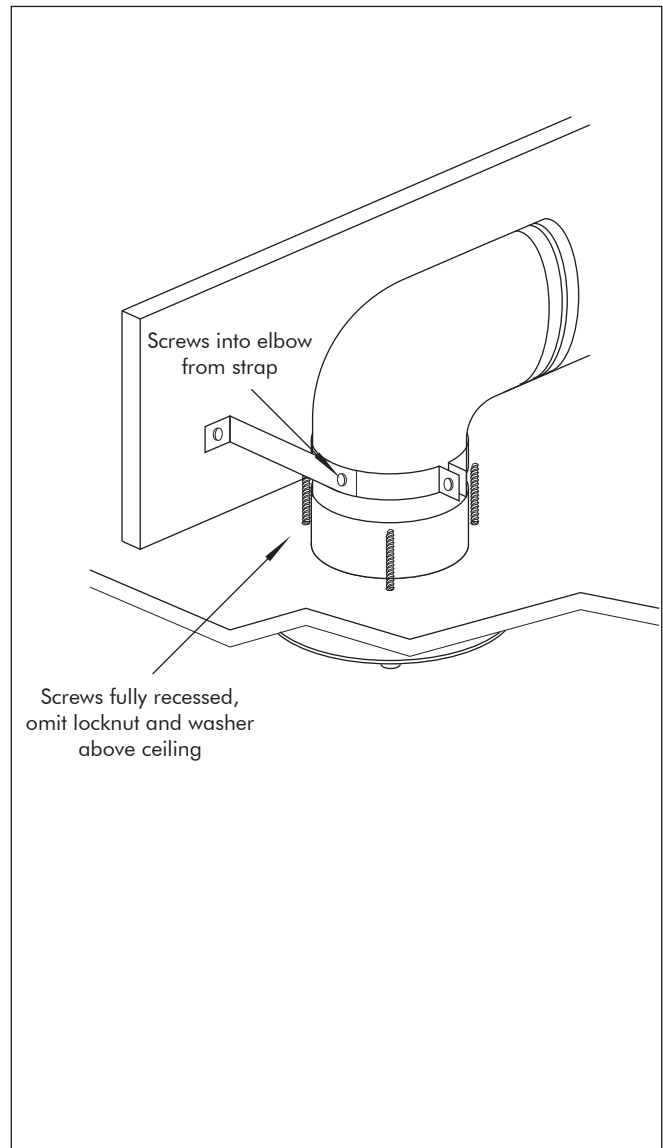
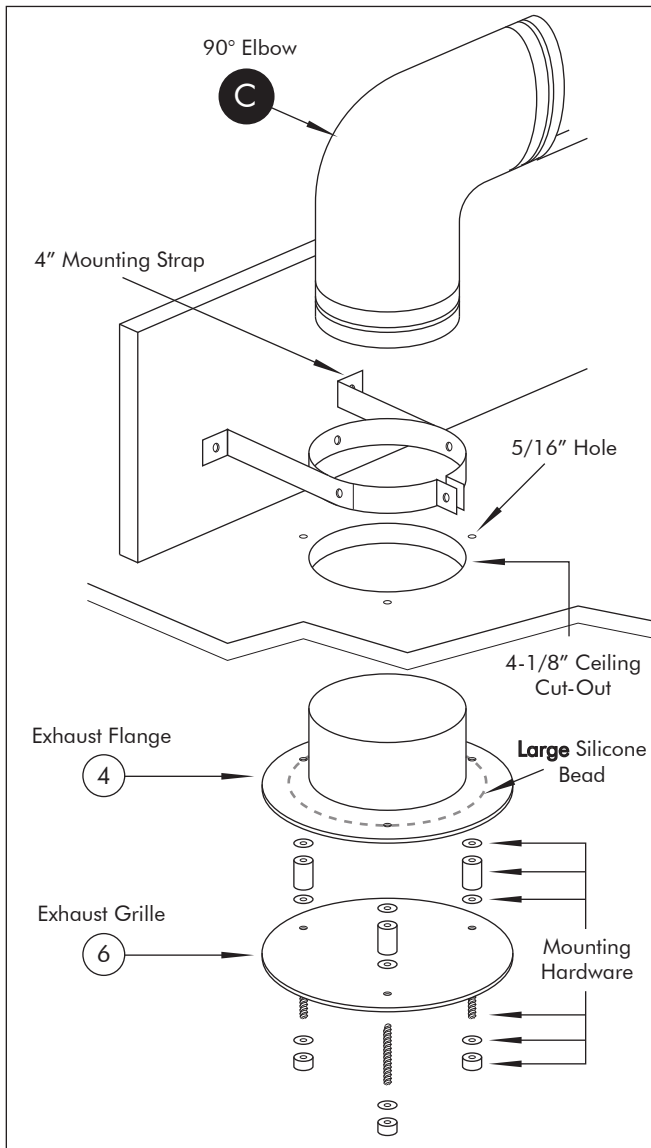
Note: Follow all applicable codes and standards.

Note: Rigid duct (supplied by others) may be used in place of the supplied flexible duct. Follow all applicable codes.

Installation

1. After desired length is determined, cut completely around the through duct with multipurpose tool. Fold back outer cover and insulation. Apply mastic over fitting and / or inside the inner liner (see figure 2 and 3 on page 28).
2. Slide at least 1" of inner liner over fitting. Seal inner lining to collar. Secure connection with tie placed over the inner lining.
3. Pull outer cover and insulation back over inner lining. Secure connection with tie placed over the outer cover and insulation.

Non-Accessible Ceiling Installation



- 1) Exhaust Grille (6) / Exhaust Flange (4) will require a 4-1/8" ceiling cut-out. Use installation template to drill 5/16" diameter holes for mounting screws.
- 2) Strap 90° Elbow (C) to ceiling joist. Screw through the strap into the 90° Elbow (C). Provide adequate space for Exhaust Flange (4) to connect to 90° Elbow (C).
- 3) Apply LARGE bead of silicone around back of Exhaust Flange (4).
- 4) Connect 90° Elbow (C) and Exhaust Flange (4). Lubricant may ease this step (supplied by others).
- 5) Using mounting hardware, secure Exhaust Grille (6) to Exhaust Flange (4). Omit supplied Locknut (1) above ceiling.
- 6) Motorized Damper (D) should be kept in an accessible dry location. Use supplied 25' duct to bridge 90° Elbow (C) to Motorized Damper (D).

Refer to Atmospheric 410 installation manual for additional detail.

BATHOLOGY

rediscover bathing

www.Bathology.com 800-957-2862

A division of Bathing Brands, Inc.