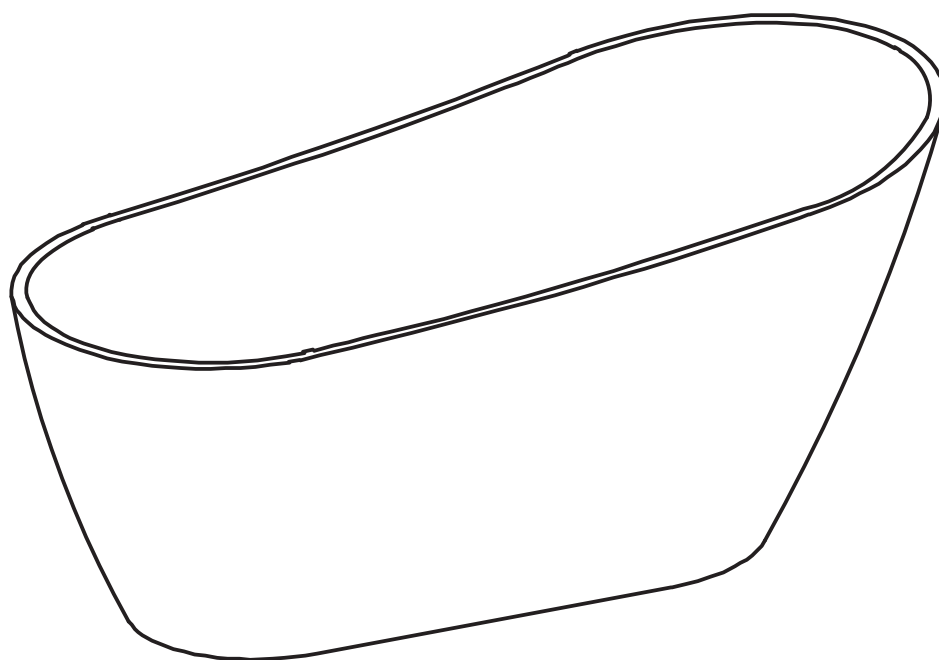
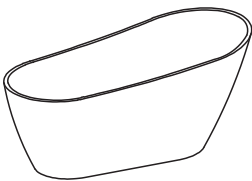
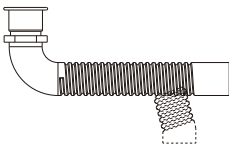



# Acrylic Bathtub Installation Instruction



 x1	 x1	 x1
---	---	---

# Outline

Precautions Before and After Installation.....	2
Installation Requirements.....	2
Installation Steps .....	3
Product Care.....	5
Warranty Policy .....	6

# Precautions Before and After Installation

1. Please check the product for completeness and possible damage immediately after receiving the goods.
2. Inform your dealer immediately if any damage occurs, we are not responsible for any damage incurred during or after installation.
3. Please check the door width before starting work, and whether the purchased bathtub can safely pass through the door of the room where the bathtub will be installed.
4. Be careful not to use hoses or mounting parts when handling the tub.
5. Do not lay any circuit under the bathtub. Please use a suitable protective cover during installation to avoid damage to the product surface or internal blockage due to falling debris or dust during installation.
6. Check the waterproofness of the bathtub. After connecting the water supply and drainage pipes, you must test the water in the bathtub to check whether there is any water leakage.
7. Special precautions: When cleaning tiles, make sure that no ammonia or similar aggressive cleaning agents come into contact with the installed parts.

## Installation Requirements

### Required tools:

- Wrench
- Scale
- Spirit level
- Safety shoes
- Square ruler
- Screwdriver
- Pliers

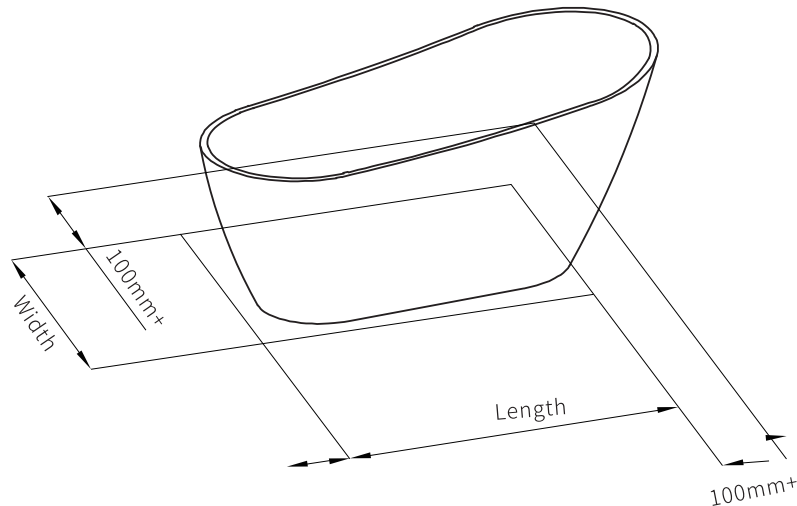
### Required Materials:

- Plumbing putty
- Wall protector
- Sealing silicone

# Installation Steps

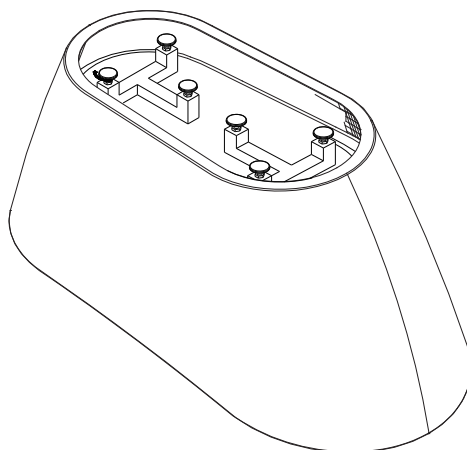
## 1. Bathtub Installation Preparation

Please ensure a space 100mm larger than the product size of the bathtub, and determine the installation position of the bathtub.



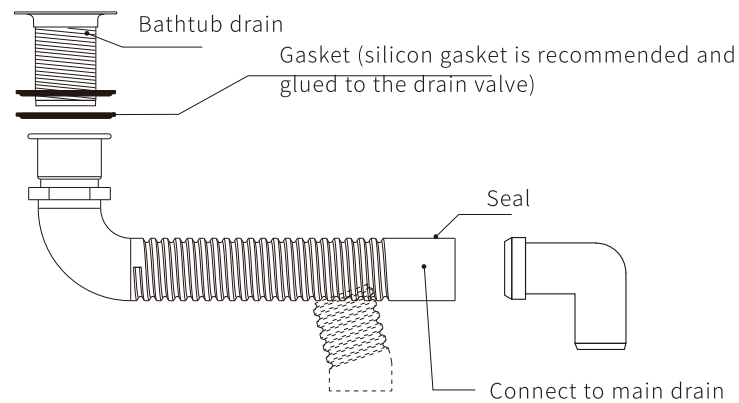
## 2. Bathtub Installation

Place the bathtub upside down on the upholstery as shown, and adjust the bathtub feet 2~3mm above the edge of the bathtub (make sure the weight-bearing is on the bathtub feet).



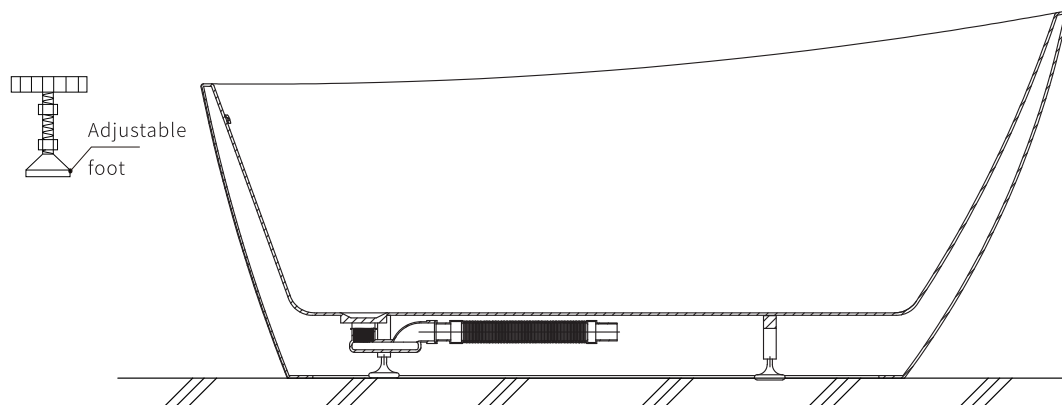
### 3. Connecting the Drainage Pipe

Please connect the bathtub downer to the drain. (After installation, fill with water to check if the seal is good).



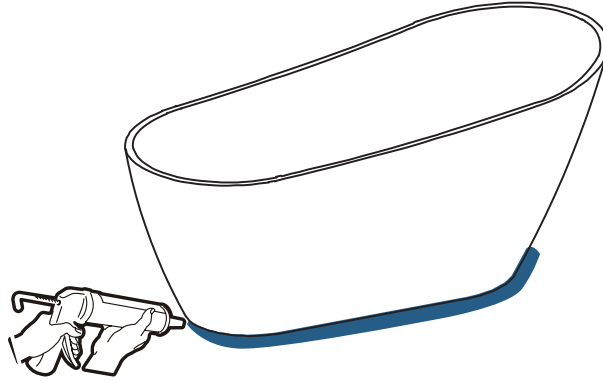
### 4. Adjust Stability

To prevent uneven ground, fine-tune the bathtub feet until the overall level of the bathtub, and then conduct a full water test to ensure the drainage seal.



## 5. Fix the Bathtub

Use sanitary silicone to fix the base on the ground, and wait for it to cure for 24 hours before proceeding to other constructions.



## 6. Clean Up

After the installation, please clean the floor, and finally clean the bathtub with a rag dipped in a neutral detergent.

# Product Care

Clean the tub regularly with a neutral detergent and a soft cloth.

Cleaning agents such as acetone or ammonia, abrasive cleaners and scouring powder, should not be used. Please also note that the drain from the bathtub must be cleaned regularly.

Clean off limescale deposits with limescale remover and water.

# Warranty Policy

1. During the warranty period, if the user correctly follows the instructions of the installation manual and uses the products of the company, the company will repair the faulty products free of charge.
2. If the damage occurs within the warranty period and needs to be repaired free of charge, please entrust the installation company with this warranty and purchase invoice.
3. During the warranty period, the maintenance of the occasions listed below is not within the scope of free maintenance.
  - Faults and damages caused by improper use or unauthorized repair and modification.
  - Faults and damages caused by inattention or negligence during installation and construction.
  - Faults and damages caused by using this product outside the scope of use.
  - Damage caused by sand or dirt.
  - Dirty, rusted plating parts, etc. caused by improper daily maintenance.
  - Failure and damage due to fire, earthquake, flood, lightning strike and other natural disasters, public hazards, gas hazards (liquefied gas), salt damage, abnormal voltage, and use of an unspecified power supply.
  - Occasions not specified in this warranty.
  - When the user's name, installation company, and purchase date are not filled in this warranty. When the purchase receipt can not be presented.
4. This warranty will not be replaced if it is lost, please keep it properly.