



# Landscape Pro Multiview Series

LPM-4416 • LPM-5616 • LPM-6816 • LPM-8016



©2019



[www.modernflames.com](http://www.modernflames.com)  
Please dispose of properly.



**INSTALLATION/OWNERS MANUAL**  
FOR USE IN UNITED STATES AND CANADA

V1

SERIAL NUMBER: \_\_\_\_\_







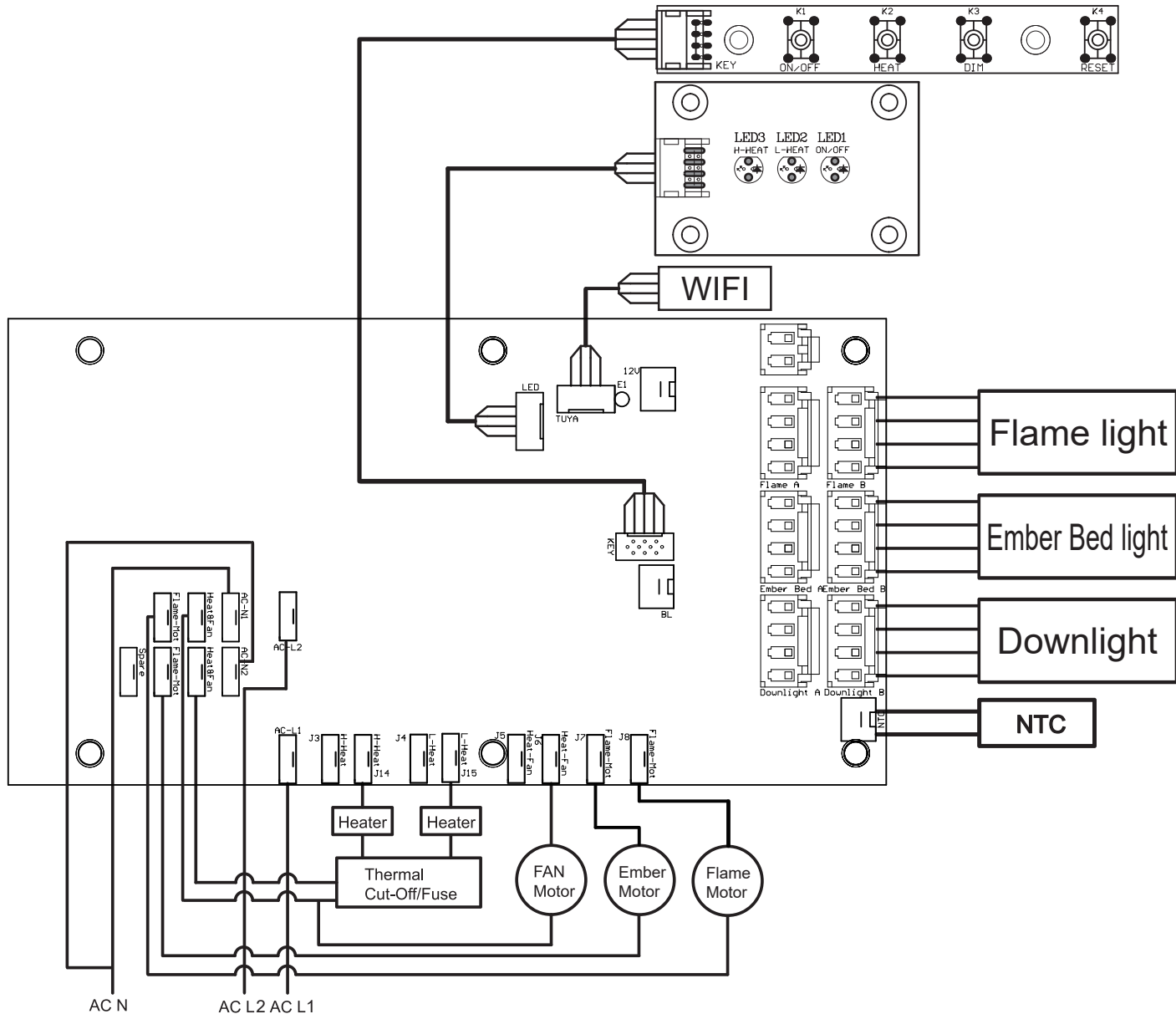
# MAINTENANCE

## CLEANING AND MAINTENANCE INSTRUCTIONS

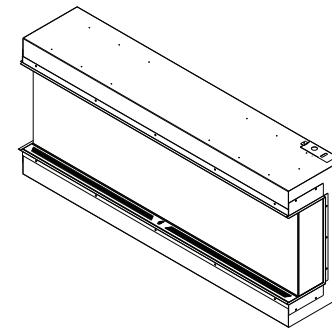
There is very little maintenance involved with your electric fireplace. Please follow the few points below:

- On a semi-annual basis unplug the machine from it's power source, wait for the heating element to cool and dust the fire unit with a dry cloth. Be careful not to brush any wires that may be exposed as you do this.
- To clean the glass face of the fireplace simply use your desired glass cleaner with paper towels.
- To clean the air inlets/outlets, wipe with a soft cloth or the nozzle of a vacuum cleaner
- Dust can easily build up around the heater area inside the fire unit, on the left and right sides. Take particular care to clean this area on a regular basis to prevent buildup.
- For long periods of inactivity, please unplug the fireplace and ensure the surrounding area remains dry.

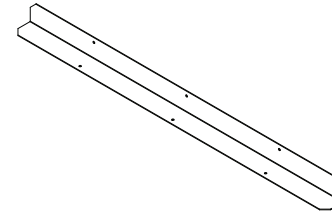
## WIRING DIAGRAM



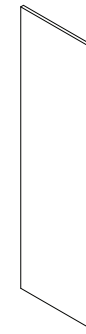
# INSTALLATION



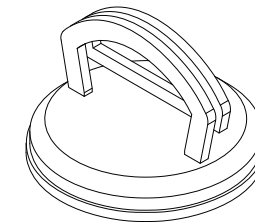
1 Fire Unit



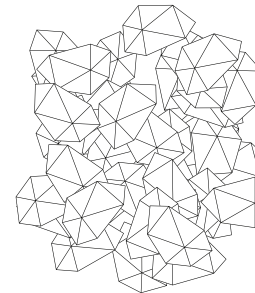
4 L-Metal Mounting Brackets



2 Side Glass Pieces



2 Suction Cups



Smoke Acrylic Crystals

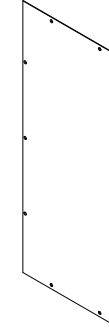


1 Owner's Manual

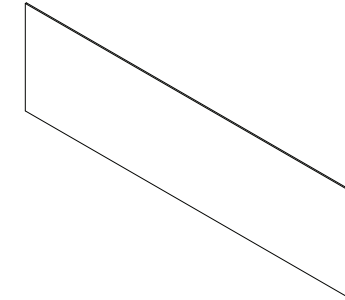
# BOX CONTENTS



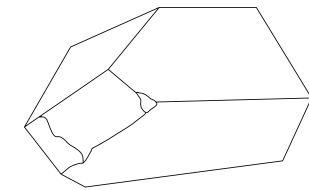
1 Remote



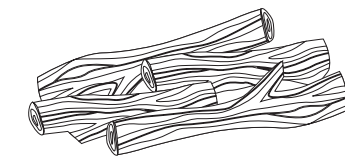
2 Side Covers



1 Front Glass



Clear Acrylic Stones



Canyon Driftwood Logs



## INSTALLATION

### INSTALLATION

**WARNING:** If the information in these instructions is not followed exactly, a fire or explosion may result causing property damage, personal injury or death.

**WARNING - RISK OF FIRE!**

To prevent a possible fire, do not block air intake or exhaust in any manner. Do not use on soft surfaces where openings may become blocked.

**WARNING - RISK OF FIRE!**

Do not blow or place insulation against the firebox.

To reduce the risk of fire do not store or use gasoline or other flammable vapors in the vicinity of this or any other heater.

**CAUTION:** Keep combustible materials, such as furniture, pillows, bedding, papers, clothes and curtains at least 3 feet (0.9m) from the front of the heater and keep them away from the sides and rear.

**CAUTION:** Wear gloves and safety glasses for protection during installation and maintenance.

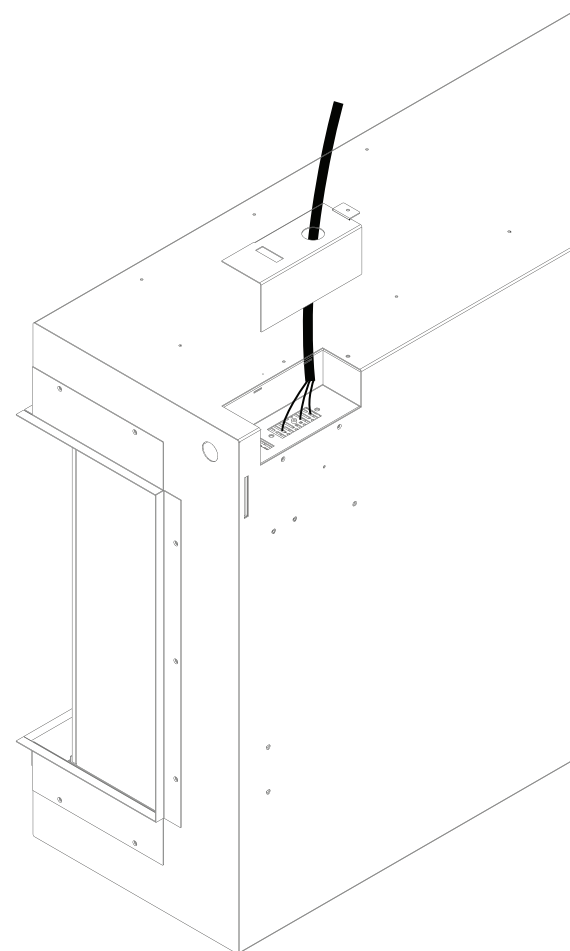
**Installing fireplace**

Select a suitable location that is not susceptible to moisture and is a safe distance from drapes, furniture and high traffic areas. A qualified electrician should add a dedicated flexible 15 amp 120 volt circuit per local building codes. Run a second line for optional 10,000 BTU operation.

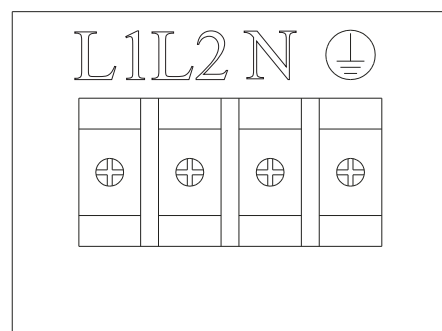
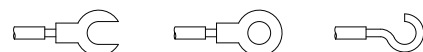
Note: Follow all national and local electrical codes.

This fireplace has a number of installation options. It can be installed fully recessed, half recessed, wall mounted with a floating cabinet or with a simple slide-in cabinet. In addition, the fully recessed option can be installed with all sides showing, 1 side showing, or flush.

To prepare for installation, connect the hard wire to the terminal block according to the diagram below. Choose any connector type according to local building code.



**To be performed by a qualified electrician according to local building codes.**



L1 - Line 1 (primary)

L2 - Line 2 (optional)

N - Neutral

⊥ - Ground

## MAINTENANCE

Problem	Possible Cause	Corrective Action
Fireplace lights up but there is no flame image or flame image frozen	A. Wiring for motor is loose	A. Disconnect unit from power source and inspect for loose connections from motor
	B. Motor is defective	B. Replace motor
Fireplace is squeaking when flame image is on	A. Fireplace spindle/rod is contacting to metal	A. Apply lithium grease or any standard grease to contacts with rod and metal
	B. Motor is defective	B. Replace motor

### FREQUENTLY ASKED QUESTIONS

Q. How do you change the optional Wall Touch Control to Fahrenheit/Celsius?

A. Long press on the up and down arrows on the fire unit to toggle between Fahrenheit and Celsius.

Q. What distance can the remote be used from the fireplace?

A. Optimal distance for the remote control is within 20 feet.

Q. Can you turn on the fireplace via the manual control and off via the remote (or vice versa)?

A. Yes.

Q. Can the fireplace be installed outside?

A. No. Please review the entire safety chapter before installing this fireplace.

Q. Does the fireplace need to be on a dedicated 15 amp circuit?

A. Yes & double for 10,000 BTU operation

Q. What thickness of sheetrock should be used for the recessed installation?

A. 1/2" or 5/8", thinner is recommended for tile façade.

Q. How often do the batteries in the remote need to be replaced?

A. Annually, possibly more with heavy use.

Q. Is there a remote receiver in the fireplace that requires batteries?

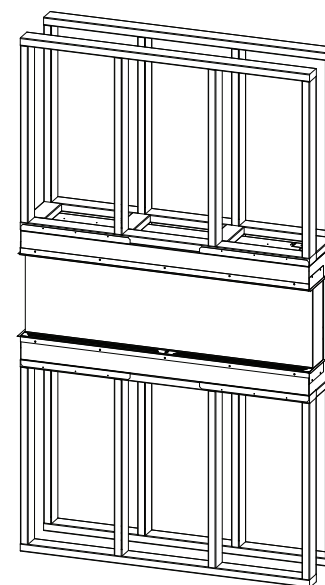
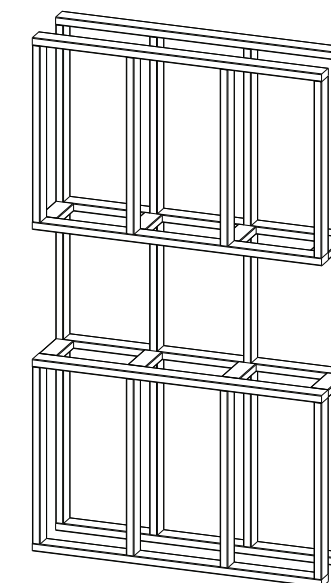
A. No, only the actual remote requires batteries. The rest of the fireplace runs entirely off of the main power supply.

**TROUBLESHOOTING**

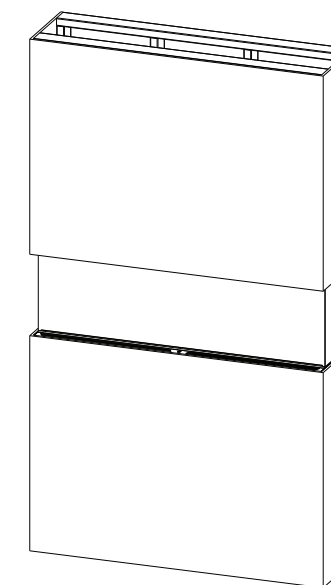
Problem	Possible Cause	Corrective Action
Nothing comes on (touch screen, etc.)	A. Breaker tripped or circuit has no power	A. Reset breaker, test circuit for power
	B. Internal component is frozen and needs to be reset	B. Turn power off at the main breaker for 20 seconds. Turn power back on.
	C. Loose connection	C. Look for loose connection
	D. Defective component	D. Replace motherboard or touch control
Touch Screen Comes on - then nothing	A. Not operating touch control properly with finger	A. Press flat part of finger firmly on the touch screen and apply moderate pressure
	B. Loose connection on motherboard	B. Check functions with remote control. If functional, check connections on motherboard
	C. Motherboard is defective	C. Replace Motherboard
Fireplace turns off and will not turn back on	A. Fireplace has overheated and safety disc has snapped or circuit breaker has tripped	A. Turn the main breaker to the "off" position for 30 seconds. Next flip the breaker back into the "on" position.
Can operate fireplace functions with manual controls but not remote control	A. Low Batteries	A. Replace batteries in remote control with - CR2025
	B. Remote not paired properly	B. To pair remote, turn off the fire unit at the main power switch for 30 seconds. Hold the On/Off button on the remote while flipping the main power switch back to on. When the fire unit powers up, the remote will be paired.
	C. Remote control defective	C. Replace remote control
Heater does not provide heat when on	A. Wiring is loose	A. Disconnect unit from power source and inspect for loose connections
	B. Heater core is defective	B. Replace Heater Core
Flame is not visible when unit is turned on	A. Wiring is loose	A. Disconnect unit from power source and inspect for loose connections
	B. LEDs defective	B. Replace LEDs
	C. Motherboard is defective	C. Replace motherboard

Model	W	H	D
LPM-4416	44 1/4"	25 1/4"	12"
LPM-5616	56 1/4"	25 1/4"	12"
LPM-6816	68 1/4"	25 1/4"	12"
LPM-8016	80 1/4"	25 1/4"	12"

1. Prepare the framed opening according to the chart above. Provide a dedicated flexible 15 amp 120 volt circuit for hard wire installation.



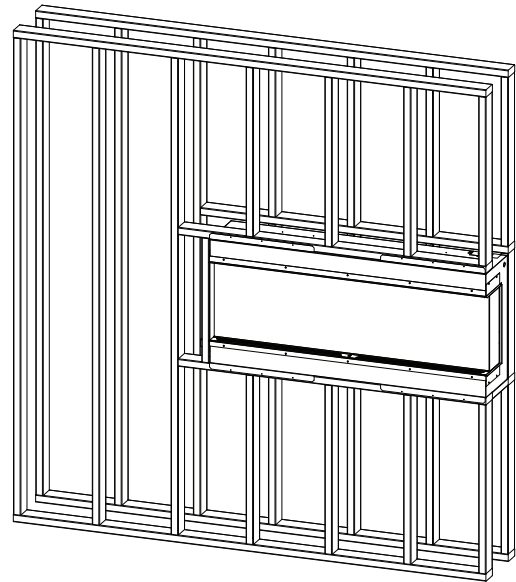
2. Install L Metal Nailing Flanges.
3. Install the fire unit in the framed opening with a minimum 1 1/4 drywall screws to secure the unit.



4. **Mask the exposed fire unit during the drywall process.** Install drywall to the drywall stops on the perimeter of the fire box. For more information on the drywall stops see the Product Guide on page 4. Decorate as desired.
5. Install the side and front glass pieces.

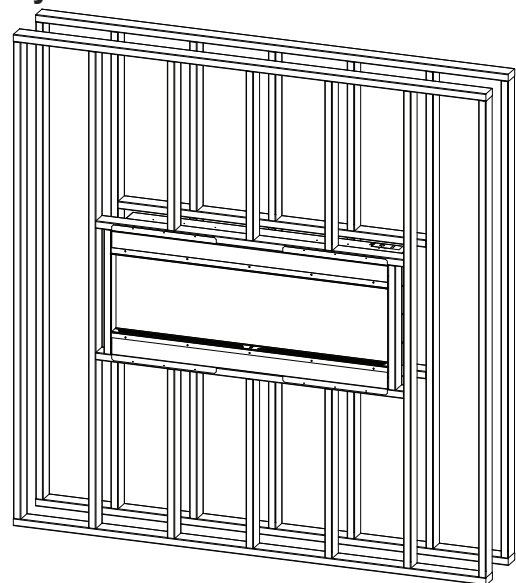
## INSTALLATION

### Fully recessed installation - 1 side



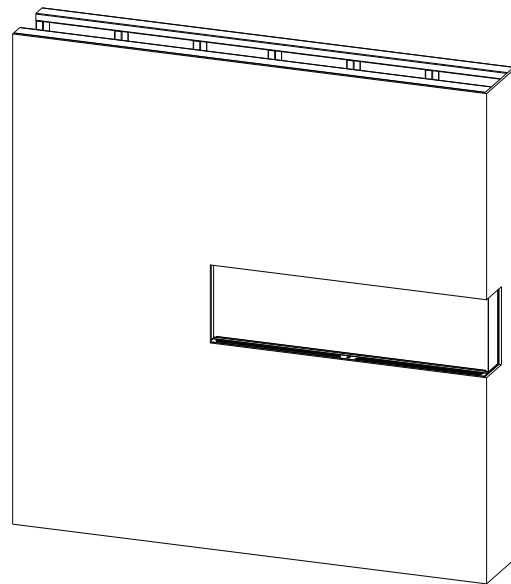
4. Install the fire unit in the framed opening with a minimum 1 ¼ drywall screws to secure the unit.
5. **Mask the exposed fire unit during the drywall process.** Install drywall to the drywall stops on the perimeter of the fire box. For more information on the drywall stops see the Product Guide on page 4. Decorate as desired.
6. Install the remaining side glass and front glass.

### Fully recessed flush installation

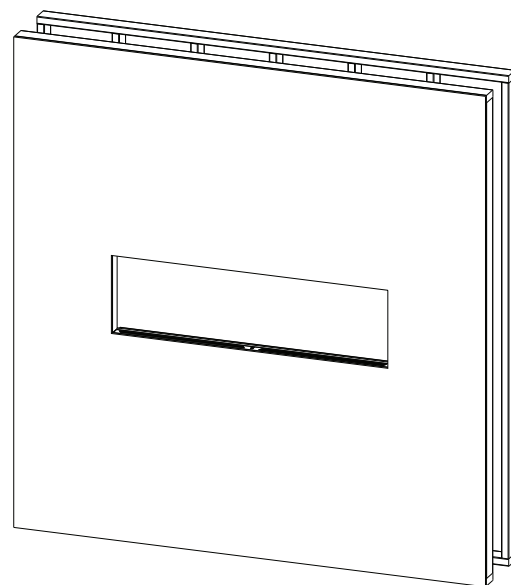


5. **Mask the exposed fire unit during the drywall process.** Install drywall to the drywall stops on the perimeter of the fire box. For more information on the drywall stops see the Product Guide on page 4. Decorate as desired.
6. Install the front glass.

1. Follow steps 1 & 2 from the 3 sided installation instructions.
2. Remove the corresponding drywall stops according to your installation (in the example, the drywall stops on the left end would be removed.)
3. Install the side glass then the corresponding side cover according to your installation (the side glass must be installed before the metal side cover.)



1. Follow steps 1 & 2 from the 3 sided installation instructions.
2. Remove the drywall stops on both sides of the fire unit.
3. Install the side glass then side covers on both sides of the fire unit (the side glass must be installed before the metal side cover.)
4. Install the fire unit in the framed opening with a minimum 1 ¼ drywall screws to secure the unit.



## MAINTENANCE

### SERVICE PARTS

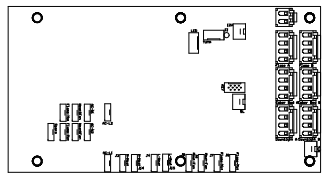
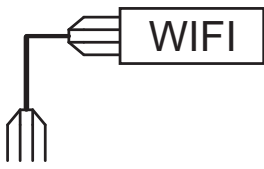
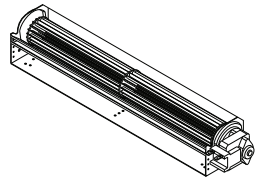
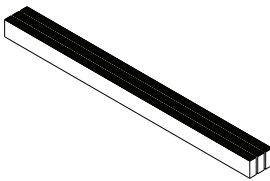
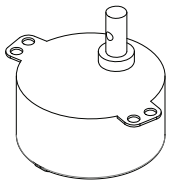


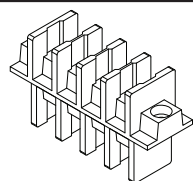
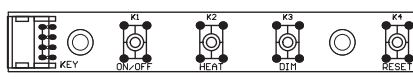
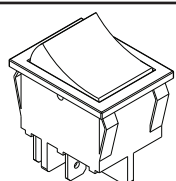
ITEM	PHOTO	DESCRIPTION
MF-PRO-PIB		POWER INDICATOR BOARD
MF-PRO-NTC		THERMOSTAT SENSOR
MF-LPM-SG-C		SIDE GLASS CLEAR
MF-LPM-SG-B		SIDE GLASS BLACK
MF-LPM-F/LED-44		RGB FLAME LED BAR SET
MF-LPM-F/LED-56		
MF-LPM-F/LED-68		
MF-LPM-F/LED-80		
MF-LPM-EB/DL-44		RGB EMBER BED/DOWNLIGHT LED STRIP
MF-LPM-EB/DL-56		
MF-LPM-EB/DL-68		
MF-LPM-EB/DL-80		
MF-LPM-SR-44		SPINDLE ROD FOR FLAME AND EMBER BED
MF-LPM-SR-56		
MF-LPM-SR-68		
MF-LPM-SR-80		
MF-LPM-GF-44		FRONT GLASS
MF-LPM-GF-56		
MF-LPM-GF-68		
MF-LPM-GF-80		
MF-LPM-PP-44		FLAME SCREEN
MF-LPM-PP-56		
MF-LPM-PP-68		
MF-LPM-PP-80		



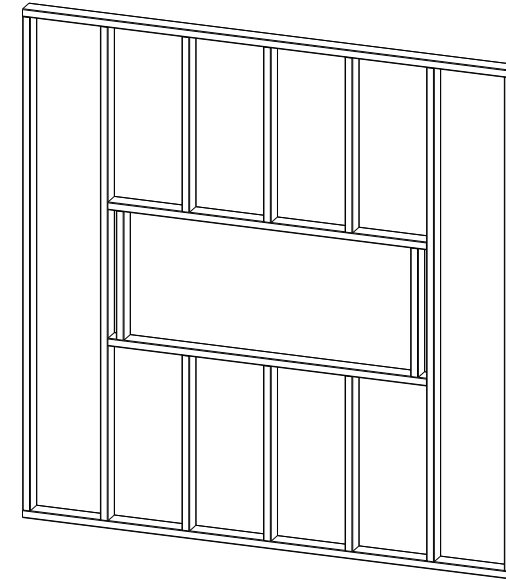
## MAINTENANCE

## INSTALLATION

### SERVICE PARTS

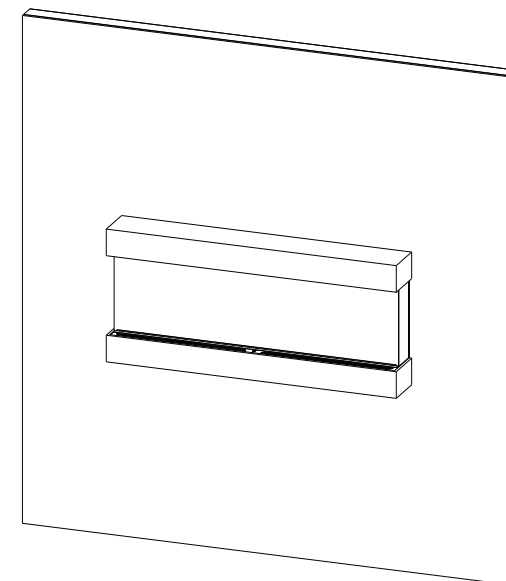
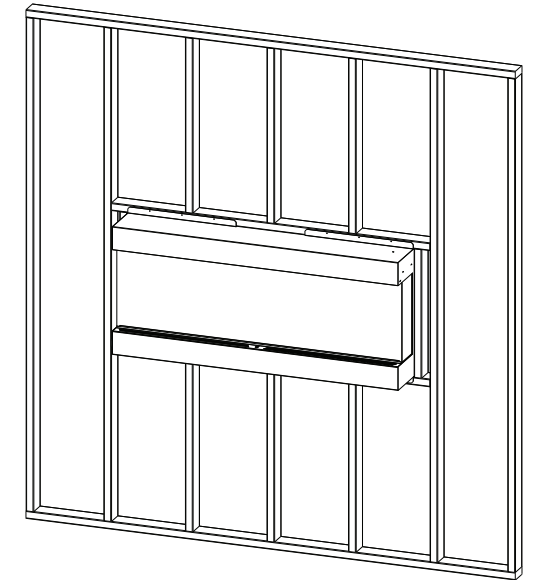
ITEM	PHOTO	DESCRIPTION
MF-PRO-PCB		PRINTED CIRCUIT BOARD CONTROLS LOW VOLTAGE AND HIGH VOLTAGE FUNCTIONS AND TRANSFORMER
MF-PRO-WIFI		WIFI BOARD
MF-PRO-HF		HEATER FAN 120 V
MF-PRO-PTC		PTC HEATER 120/240 V 1500/3000 WATTS
MFSM120		SPINDLE MOTOR 120 V 50-60 HZ
MF-PRO-RC		PRO SERIES RF REMOTE CONTROL
MF-PRO-WTC		<b>OPTIONAL</b> WALL MOUNTED TOUCH CONTROL ASSEMBLY
MF-PRO-TB		TERMINAL BLOCK 120/240 V
MF-PRO-MTC		MANUAL TOUCH CONTROL BOARD
MFPS1		20 AMP POWER SWITCH

### Half recessed installation



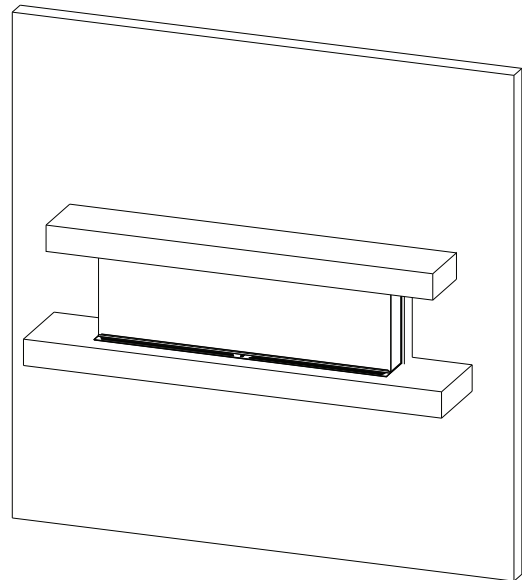
1. This installation is optimized for a 2x4 framed wall. Prepare the framed opening according to the height and width of the chart on page 7. Provide a dedicated flexible 15 amp 120 volt circuit for hard wire installation.
2. Install L Metal Nailing Flanges.

3. Install the fire unit in the framed opening with a minimum 1 ¼ drywall screws to secure the unit.



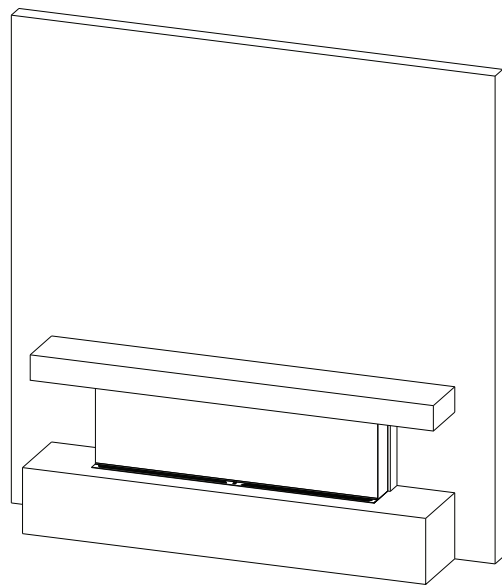
4. Firebox must be covered with material of choice. Mask the exposed fire unit during this process. Install drywall, tile or material of your choice to the drywall stops on the perimeter of the fire box. For more information on the drywall stops see the Product Guide on page 4. Decorate as desired.
5. Install the side and front glass pieces.

**Floating cabinet installation**



Follow the directions included with the Floating Cabinet Accessory Kit.

**Slide-in cabinet installation**



Follow the directions included with the Slide-in Cabinet Accessory Kit.

**Installing Optional Wall Mounted Touch Control**

1. Locate 2-gang low voltage bracket within 20 feet of fireplace. Install according to manufacturer's instructions.
2. Remove glass face (attached with magnets) from metal bracket.
3. Attach the metal bracket to the low voltage bracket with the included screws.
4. Insert batteries (2 AAA) and replace the glass face.



**OPERATION**

The unit has a main power switch just in front of the glass on the right hand side. A hand-held remote is included.



Power

This will cycle the machine on and off. Upon cycling power on, the machine will return to the settings it had when it was cycled off.



Reset

If the fireplace is on, this button will act as a reset and bring all colors back to the default Modern Flames orange/yellow.



Heat

This will cycle the heater between high, low and off.



Fade

All zones of the fireplace will start the slow fade between colors.



Sync

Pressing the sync button will change all the colors of the fireplace (Flame, Ember Bed and Downlight) to match the current color of the flame setting.



Flame

This is a zone setting. Touching this button will allow you to change the color and brightness of the flame by using the RGB wheel and brightness slider.



Ember Bed

This is a zone setting that controls the color and brightness of the ember bed.



Downlight

This is a zone setting that controls the color and brightness of the downlight.



**Pairing remote:**

To pair remote, turn off the fire unit at the main power switch for 30 seconds. Hold the On/Off button on the remote while flipping the main power switch back to on. When the fire unit powers up, the remote will be paired.

**Power indicator lights for wall switch as well as upper right corner of the main unit**



When the switch turns on, this orange pilot lamp turns on. It shows the fire is energized.



The status light above shows that the power is on and the heater is on low.



The status light above shows that the power is on and the heater is on high.

**Manual Controls**

The unit has manual controls located next to the power switch, just in front of the glass on the top right side.



**Power**  
Turns unit on/off



**Heat**  
Cycles heat low/high/off



**Color**  
Changes fireplace color



**Reset**  
Resets unit