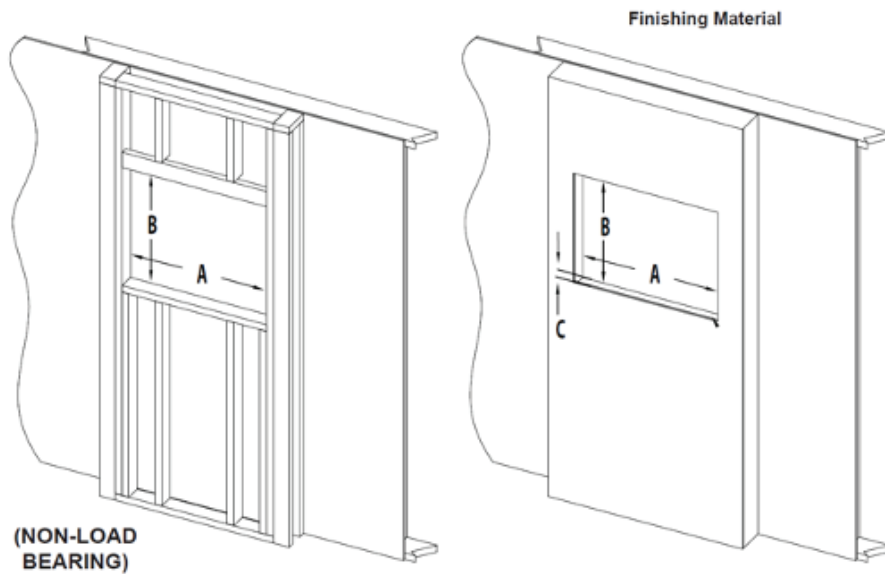
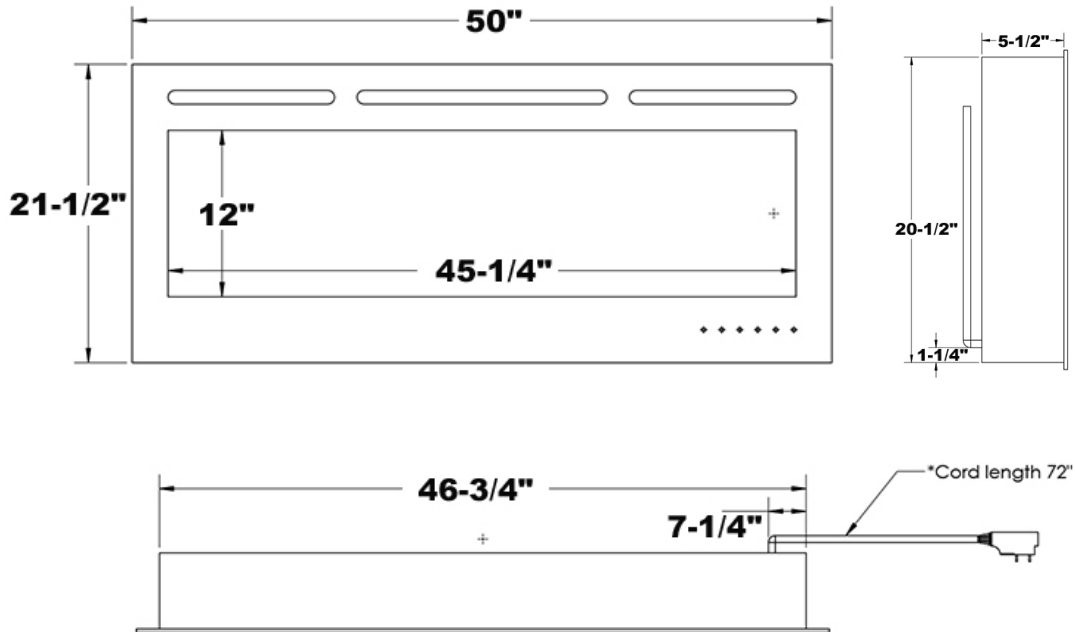


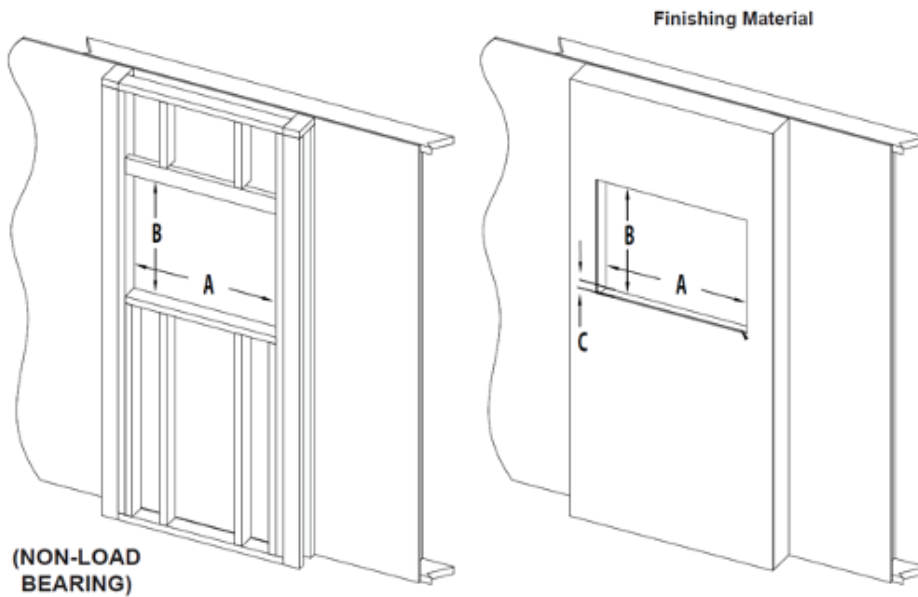
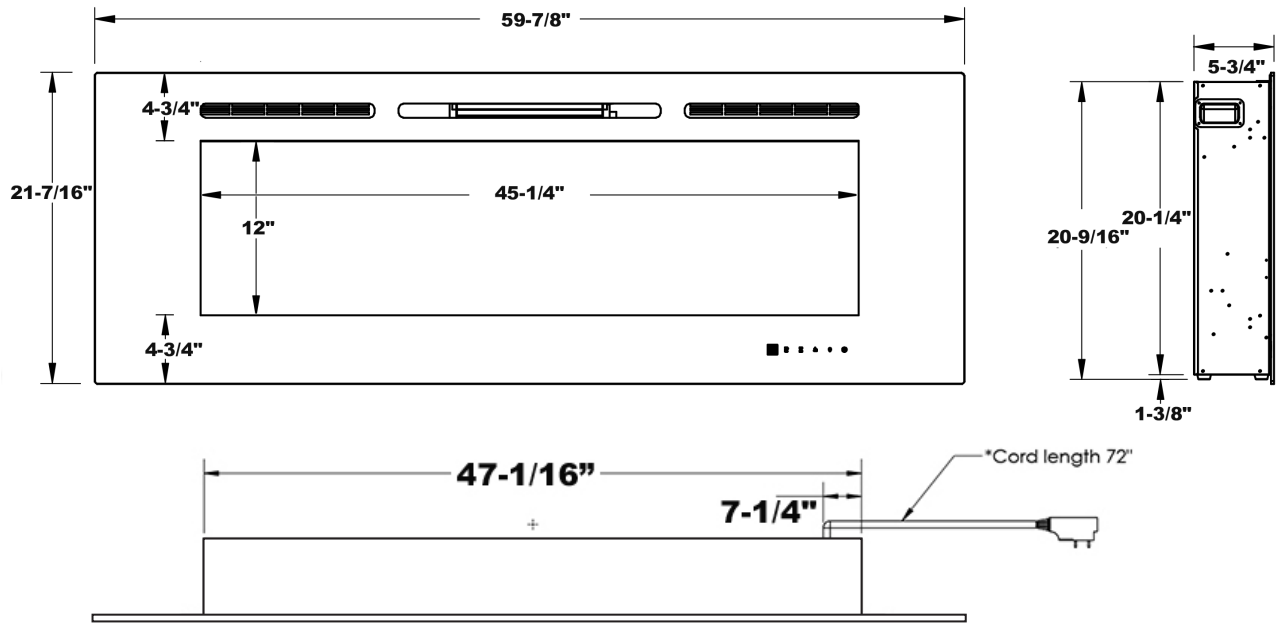
Challenger 50" Specs



FINISHED OPENING DIMENSIONS			
Model Number	A	B	C
CEF-50B	47-1/4"	20-1/2"	5-1/2"



Challenger 60" Specs



FINISHED OPENING DIMENSIONS			
Model Number	A	B	C
CEF-60B	47-1/4"	20-3/4"	5-1/2"

