

HOW TO	Document #	Model name			
	HT00135E	ECO-55 / ECO-55ST			
REPLACE THE EXHAUST BLOWER	Model number	Serial number		Date	
	DP00070 / DP00071	100	to	...	2017-02-24

WARNING

HOT SURFACE. ALLOW TO COOL BEFORE SERVICING.

DANGER

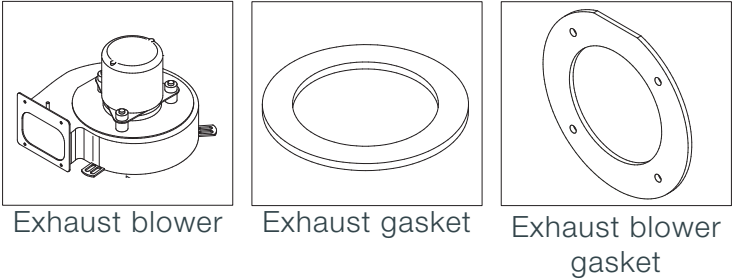
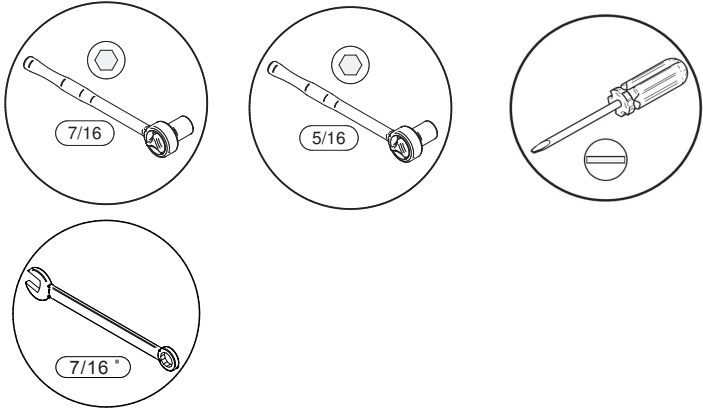
DISCONNECT ALL SOURCE OF POWER BEFORE SERVICING THE STOVE.

NOTE

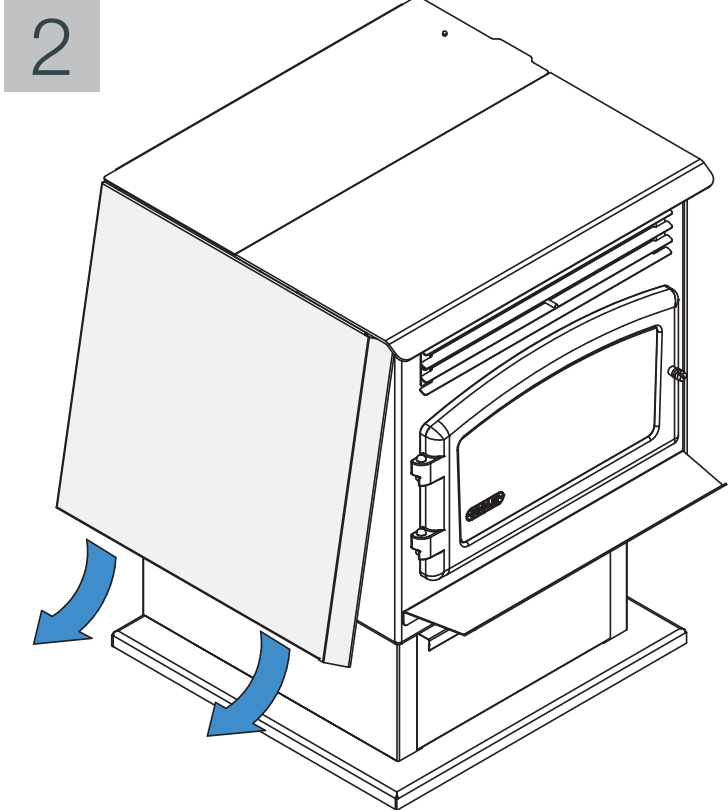
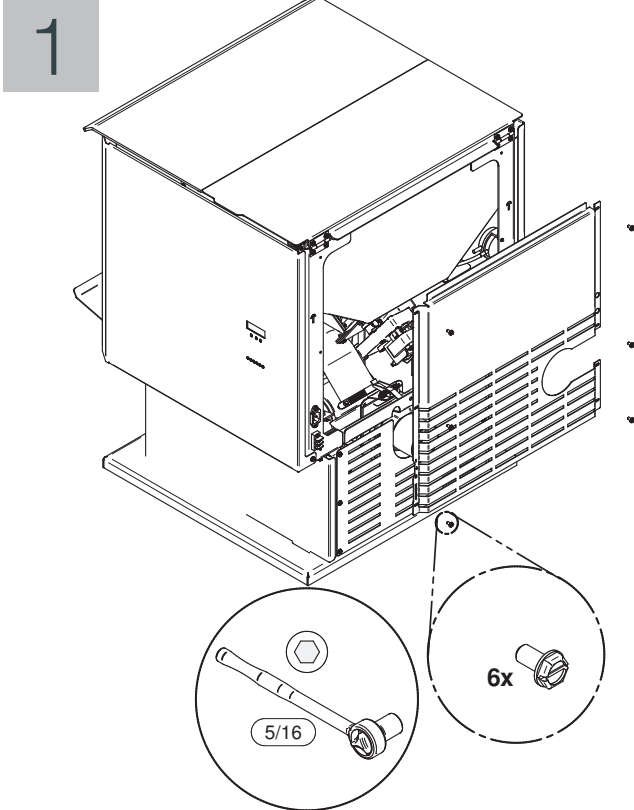
For actual part numbers, visit our website at www.drolet.ca/en/parts

TOOLS REQUIRED :

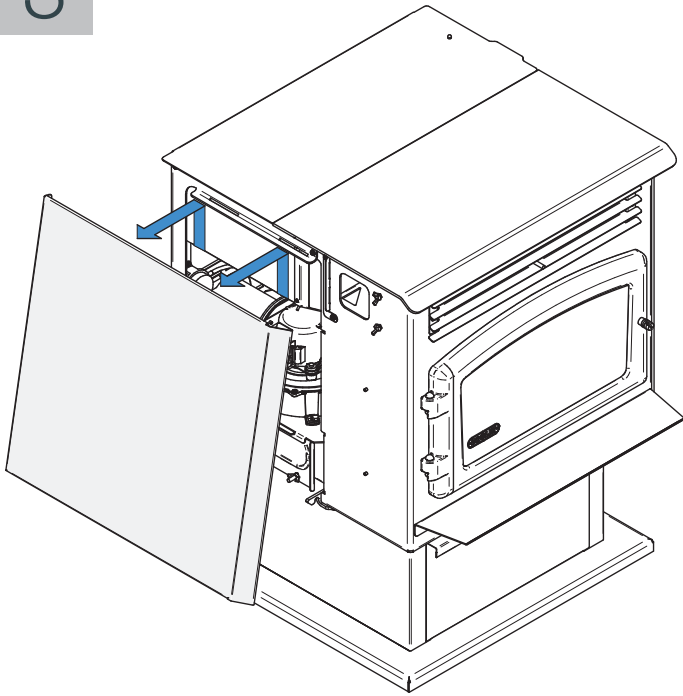
PARTS REQUIRED :



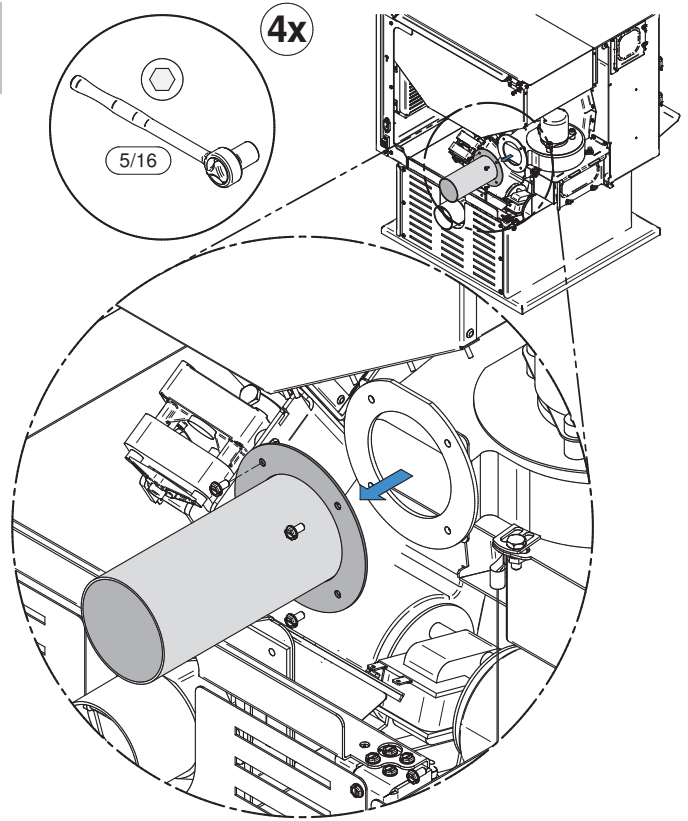
PROCEDURE :



3

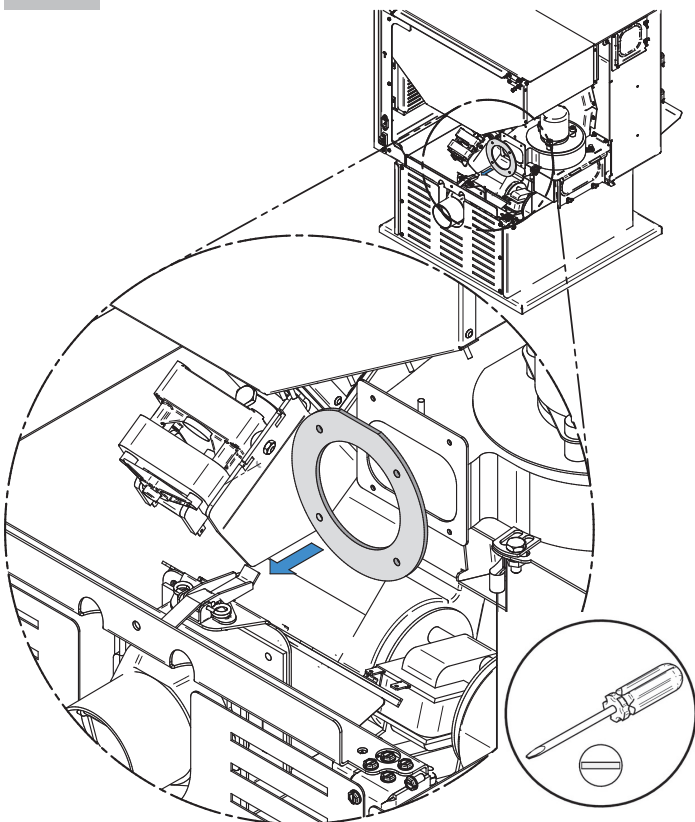


4

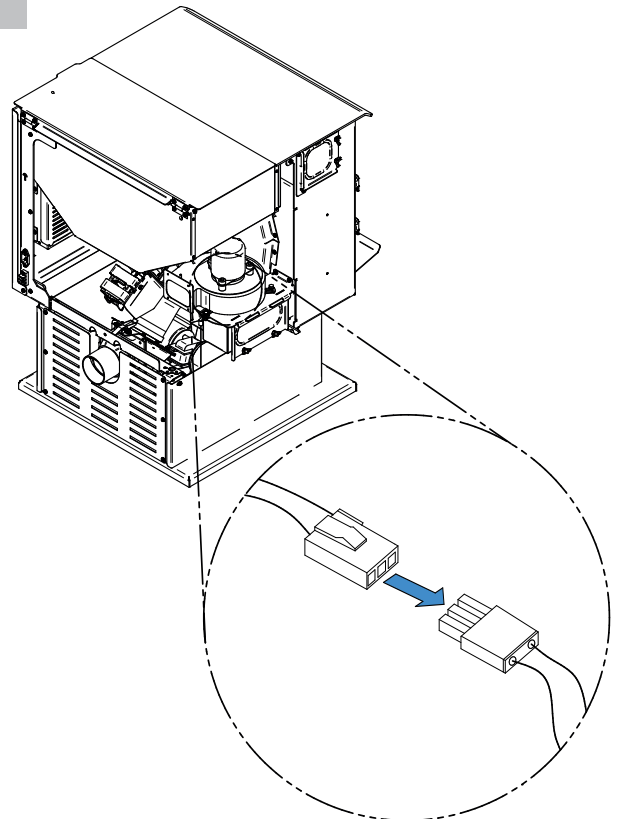


5

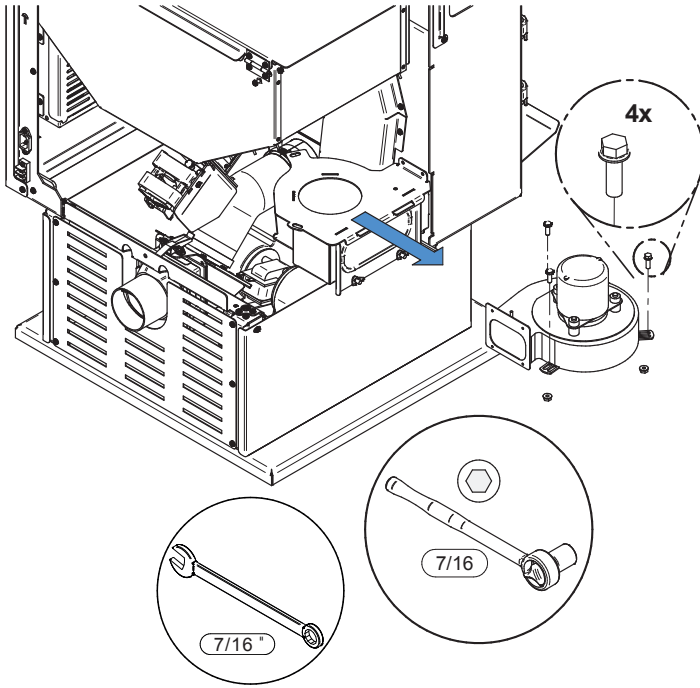
Use the screwdriver to remove the blower gasket.



6



7



8

Install the gasket on the exhaust blower before to replace it on the pellet stove.

9

Follow previous steps in reverse order to reinstall.

Stove Builder International inc.

250, rue de Copenhague,
St-Augustin-de-Desmaures (Québec) Canada
G3A 2H3

Customer service : 418-908-8002
Email : tech@sbi-international.com
www.drolet.ca



This document is available for free download on the manufacturer's website. It is a copyrighted document. Re-sale is strictly prohibited. The manufacturer may update this document from time to time and cannot be responsible for problems, injuries, or damages arising out of the use of information contained in any document obtained from unauthorized sources.