



Owner's Manual













e-MatriX 800/650 (32" x 26") 1, 2, 3-Sided Electric Fireplace

Models FEF3226L1, FEF3226L2L, FEF3226L2R, FEF3226L3




IMPORTANT SAFETY INFORMATION: Read this manual first before attempting to install or use the e-MatriX Electric Fireplace. Always comply with the warnings and safety instructions contained in this manual to prevent personal injury or property damage.

To view the full line of Faber products, visit www.faberfire.com

Table of Contents

 Welcome	3
 IMPORTANT INSTRUCTIONS	4
 Specifications	5
 Installation	8
 Operation.....	17
 Maintenance.....	19
 Troubleshooting.....	23
 Electrical.....	24
 Warranty.....	27
 Technical Support.....	28

Conventions used in this manual:

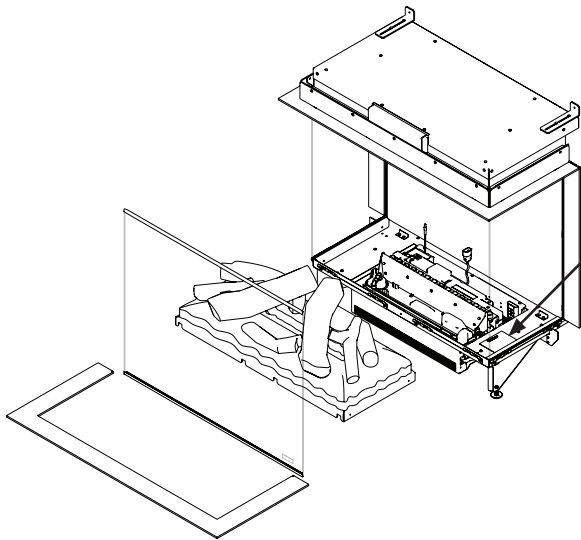
-  **NOTE:** Procedures and techniques considered important enough to emphasize.
-  **CAUTION:** Procedures and techniques which, if not carefully followed, will result in damage to the equipment.
-  **WARNING:** Procedures, precautions, and techniques which, if not carefully followed, will expose the user to the risk of fire, serious injury, or death.

 **SAVE THESE INSTRUCTIONS** 

Welcome

Thank you for purchasing the Faber e-MatriX Electric Fireplace. Please use our convenient online registration page to record your model and serial numbers for future reference at:

www.faberfire.com/register




Model and serial numbers
are found under the logset

Before installation, check the e-MatriX fireplace for transport damage and report immediately to your supplier. Make sure all items below are included:

- Control box
- Remote
- Decoration material (artificial ash and chips)
- Suction cups (2x)
- Service door
- Spare transducers (2x)
- Absorption pill

⚠ CAUTION: Read all instructions and warnings carefully before starting installation. Failure to follow these instructions may result in a possible electric shock or fire hazard and will void the warranty. Only have the fireplace installed by a qualified installer according to local water and electric safety regulations.




GLEN DIMPLEX AMERICAS
1367 INDUSTRIAL ROAD
CAMBRIDGE, ON, N3H 4W3
CANADA
DO NOT SUBMERSE
NE PLONGER
NO SUMERJA

MODEL / MODELE
MODELO 6910360100 MOD -

CAT.#
N° de Cat. FEF3226L1

SERIAL NO.
NUMÉRO DE SERIE 0011911GDB 001

NUMERO DE SERIE

270 W, 120 V ~, 60 Hz 

FOR USE IN INDOOR DRY LOCATION ONLY
POUR USAGE DANS DES ENDROITS SECS A L'INTERIEUR SEULEMENT
PARA EL USO EN LOCALIZACIONES SECAS DE INTERIOR SOLAMENTE

THIS PRODUCT MAY BE COVERED BY ONE OR MORE U.S. PATENTS OR PENDING PATENT APPLICATIONS. SEE WWW.DIMPLEX.COM/PATENTS FOR DETAILS.
CE PRODUIT PEUT ÊTRE PROTÉGÉ PAR UN OU PLUSIEURS BREVETS AMÉRICAINS OU DES APPLICATIONS DE BREVET EN ATTENTE. VISITEZ WWW.DIMPLEX.COM/PATENTS POUR PLUS D'INFORMATIONS.
ESTE PRODUCTO PUEDE ESTAR CUBIERTO POR UNA O MÁS PATENTES DE ESTADOS UNIDOS O SOLICITUDES DE PATENTES PENDIENTES. VER WWW.DIMPLEX.COM/PATENTS PARA OBTENER MÁS DETALLES.

MADE IN NETHERLANDS / FAIT EN PAYS-BAS / ECHO EN PAÍSES BAJOS
71229400400R01

AIR HEATER
CHAUFFE-AIR
CALENTADOR DE AIRE
146Y
E71416




NO NEED TO RETURN TO THE STORE

Questions with operation or assembly? Require Parts Information?
Product Under Manufacturer's Warranty?

Contact us at:  www.faberfire.com/customer_support

For Troubleshooting and Technical Support

OR  Toll-Free 1-888-346-7539

In order to better serve you, please have your model and serial numbers ready.

IMPORTANT INSTRUCTIONS

For your safety, always comply with all warnings and safety instructions contained in this manual to prevent personal injury or property damage.

When using any electrical appliance, basic precautions should always be followed to reduce the risk of fire, electric shock, and injury to persons. These precautions include:

! **NOTE:** For the purposes of certification the fireplace is considered a heater. The heat output is minimal and should not be considered a source of supplemental heat.

- ① Read all instructions before using the unit.
- ② Do not operate any unit if the unit has been dropped or damaged in any manner. Contact Technical Service at 1-888-346-7539.
- ③ Do not use outdoors.
- ④ Extreme caution is necessary when any heater is used by or near children or invalids and whenever the heater is left operating and unattended.
- ⑤ Do not operate any heater after it malfunctions. Disconnect power at service panel and have heater inspected by a reputable electrician before reusing.
- ⑥ To disconnect the unit, turn the controls OFF, disconnect power at the service panel.
- ⑦ Do not insert or allow foreign objects to enter any ventilation or exhaust opening as this may cause an electric shock or fire.
- ⑧ To prevent a possible fire, do not block air intakes or exhaust in any manner.
- ⑨ All electrical heaters have hot and arcing or sparking parts inside. Do not use in areas where gasoline, paint, or flammable liquids are used or stored.
- ⑩ Do not modify the unit. Use it only as described in this manual. Any other use not recommended by the manufacturer may cause fire, electric shock or injury to persons.
- ⑪ Do not burn wood or other materials in the unit.
- ⑫ Always use a certified electrician should new circuits or outlets be required.
- ⑬ Disconnect the power supply before performing any cleaning, maintenance or relocation of the unit.
- ⑭ When transporting or storing the unit, keep in a dry place, free from excessive vibration and store so as to avoid damage.
- ⑮ Do not modify this fireplace. Use it only as described in this manual. Any other use may cause fire, electric shock, or injury to persons.

⚠ WARNING: Remote control contains small batteries. Keep away from children. If swallowed, seek medical attention immediately.

⚠ WARNING: Do not install battery backwards, charge, put in fire, or mix with used or other battery types may explode or leak causing injury.

! **NOTE:** Changes or modifications not expressly approved by the party responsible for compliance could void user's authority to operate the equipment.

CAUTION



RISK OF ELECTRIC SHOCK. DO NOT OPEN
NO USER-SERVICEABLE PARTS INSIDE



SAVE THESE INSTRUCTIONS

Important Instructions

Specifications

FCC Compliance

⚠ CAUTION: This unit has been tested and found to comply with the limits for Class B digital device, pursuant to part 15 of the FCC Rules. These limits are designed to provide reasonable protection against harmful interference in a residential installation. This unit generates, uses and can radiate radio frequency energy and, if not installed and used in accordance with the instructions, may cause harmful interference to radio or television reception, which can be determined by turning the unit OFF and ON, the user is encouraged to try to correct the interference by one or more of the following measures:


- Reorient or relocate the receiving antenna.
- Increase the separation between the unit and the receiver.
- Connect the unit into an outlet on a circuit different from that to which the receiver is connected.
- Consult the dealer or an experienced radio/TV technician for help.

This unit complies with Part 15 of the FCC Rules. Operation is subject to the following two conditions:
(1) This unit may not cause harmful interference, and
(2) this unit must accept any interference received, including interference that may cause undesired operation.

⚠ FCC CAUTION: Any changes or modifications not expressly approved by the party responsible for compliance could void the user's authority to operate this equipment.

The e-MatriX Electric Fireplace offers an alternative to a wood or gas fireplace.

Electrical

Volts	120 V 60 Hz
Amps	2.25 A @ 25° C
Watts	270 W @ 25° C
Wiring	Hardwire
Bulb Type	LED
Approvals	
Batteries Remote	(2x) 1.5V AA
Water Consumption	0.30 l/hr
Inlet Water Pressure	8-110 psi
Water Connection	¼" water line or ¾" female

! **NOTE:** A 15 A circuit is required. A dedicated circuit is preferred, but not essential in all cases. A dedicated circuit will be required if, after installation, the circuit breaker trips or the fuse blows on a regular basis when the heater is operating. Additional appliances on the same circuit may exceed the current rating of the circuit breaker.

Product Dimensions

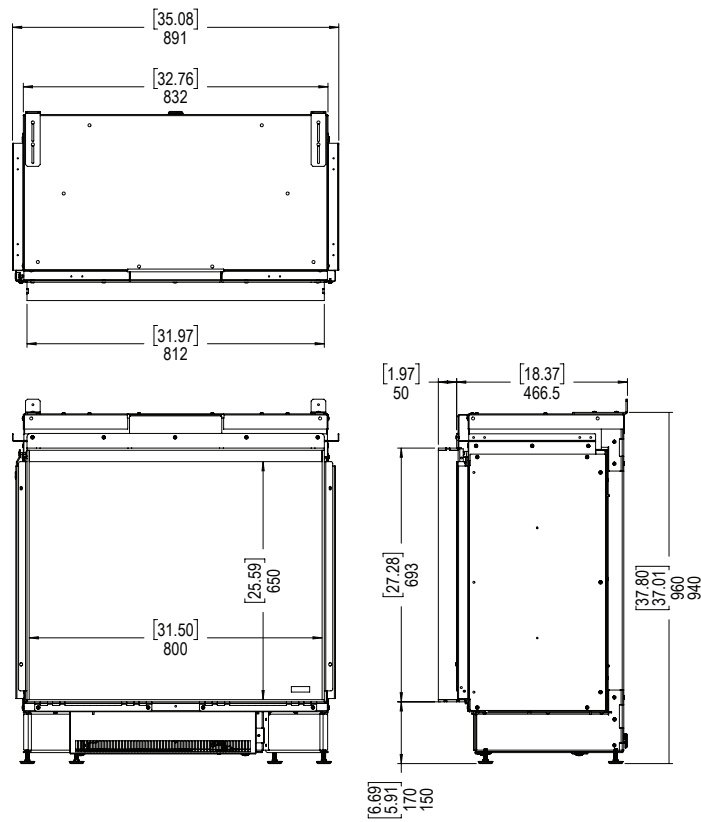
Four models are available for the Faber e-MatriX Electric Fireplace:

- FEF3226L1
- FEF3226L2L
- FEF3226L2R
- FEF3226L3

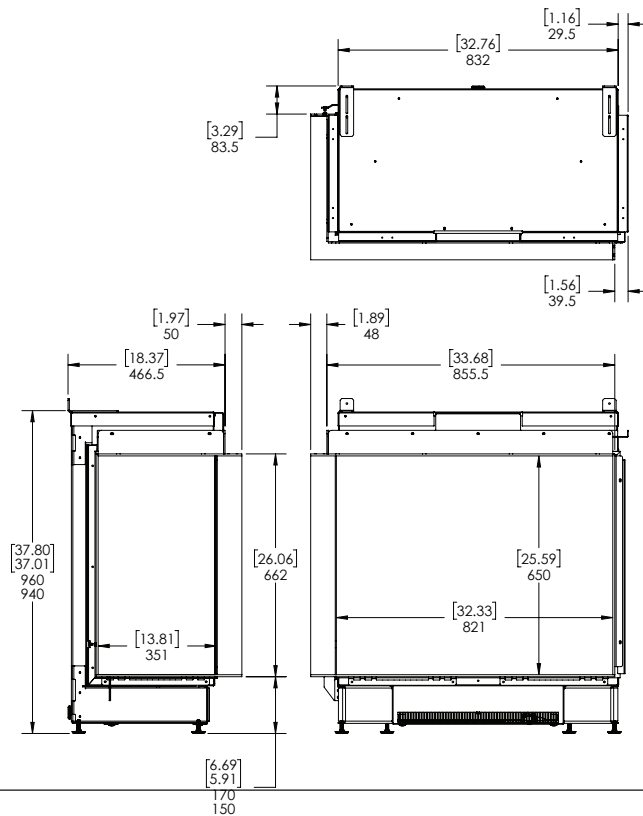
Specifications

Dimensions of the four models follow:

FEF3226L1

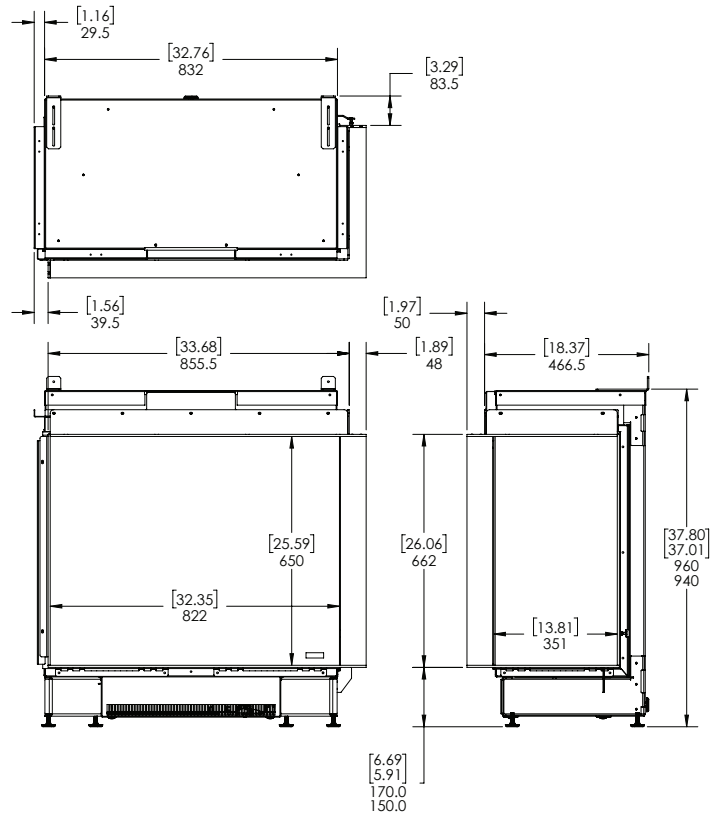


FEF3226L2L

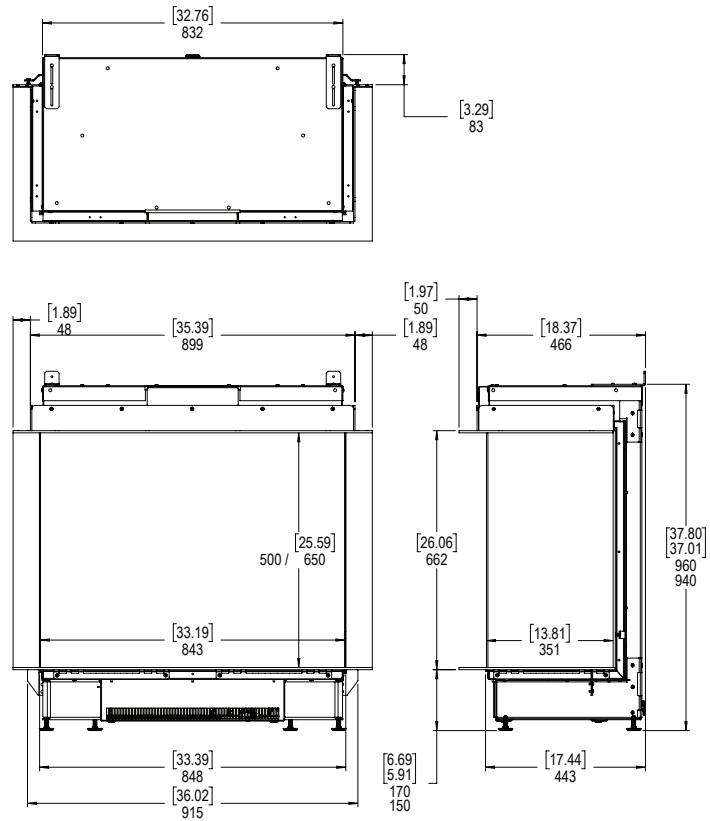


Specifications

FEF3226L2R



FEF3226L3



Installation

Installation Requirements

Power supply

A 15 A, 120 VAC grounded dedicated circuit is recommended, but not essential in all cases. Additional appliances on the same circuit may exceed the available current.

A dedicated circuit will be required if, after installation, the circuit breaker trips or the fuse blows on a regular basis when the fireplace is operating.

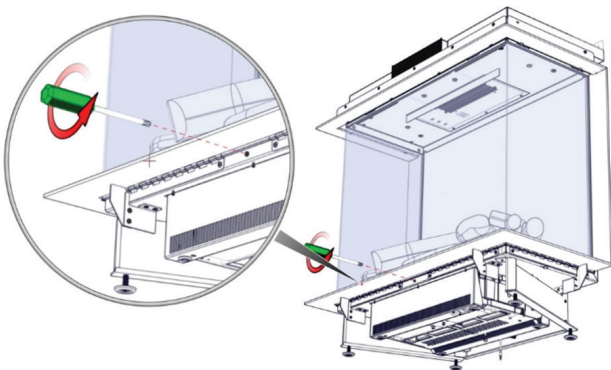
Water supply

- Water connection 1/4" copper or flexible plastic line, 1/2" plastic or copper pipe at an accessible location that can be pierced with the piercing value, or 3/4" hose connection placed at an accessible location.
- Water pressure between 8-110 psi. Where required, use a pressure reducing valve.

! NOTE: Normal tap water can be used in the e-Matrix if the tap water is not considered to be hard water. For hard water, use softened or filtered water.

Unpacking the Fireplace

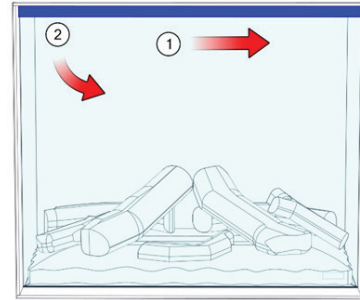
1. Make sure all packing materials are removed.
2. Remove the transport screw on the front of the unit.



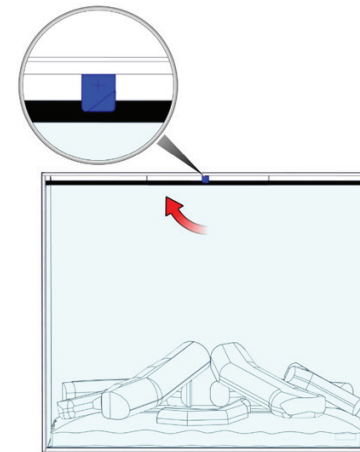
Preparing the Fireplace for Placement

Remove front glass (FEF3226L1)

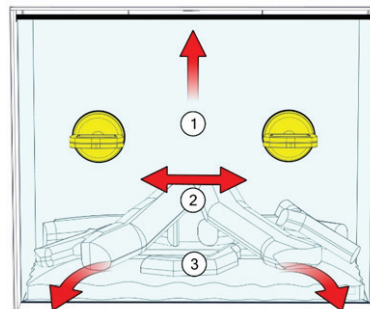
1. Remove the cover strip.



2. Rotate the glass clamp clockwise.



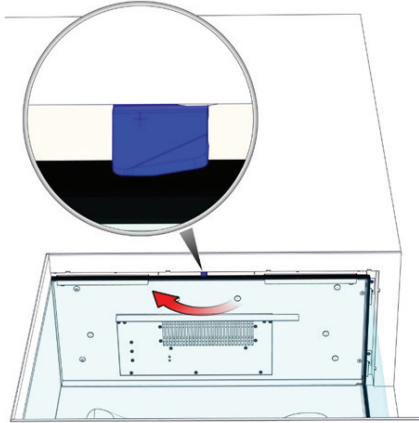
3. Place suction cups and remove the front glass.



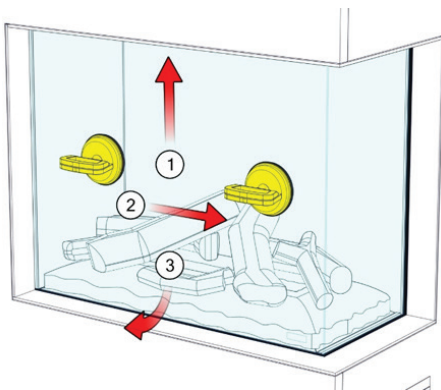
Installation

Remove front glass (FEF3226L2L, FEF3226L2R, and FEF3226L3)

1. Rotate the glass clamp clockwise.



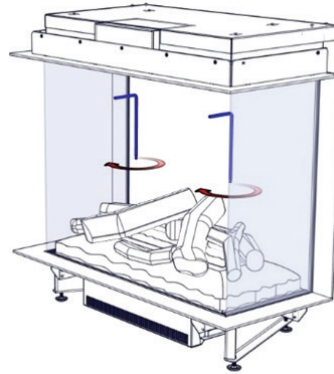
2. Place suction cups and remove the front glass.



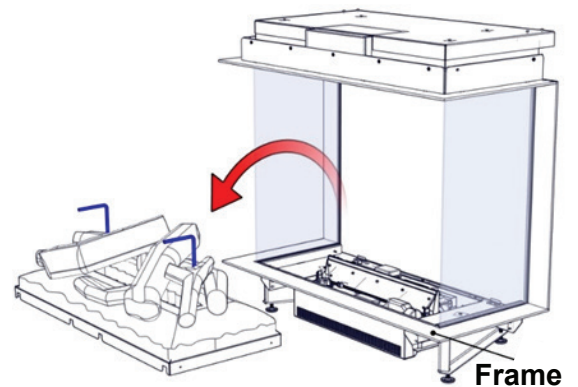
Remove the fuel bed

⚠ CAUTION: Never lift the fuel bed without using the supplied handles.

1. Remove the front glass.
2. Cover the frame to avoid scratches.
3. Screw the handles in the fuel bed.



4. Lift the fuel bed carefully and disconnect the electrical plug.
5. Store the fuel bed in a safe place.



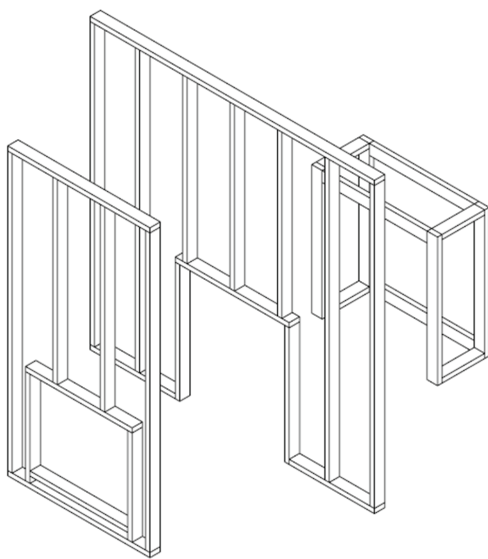
Installation

Framing the Fireplace

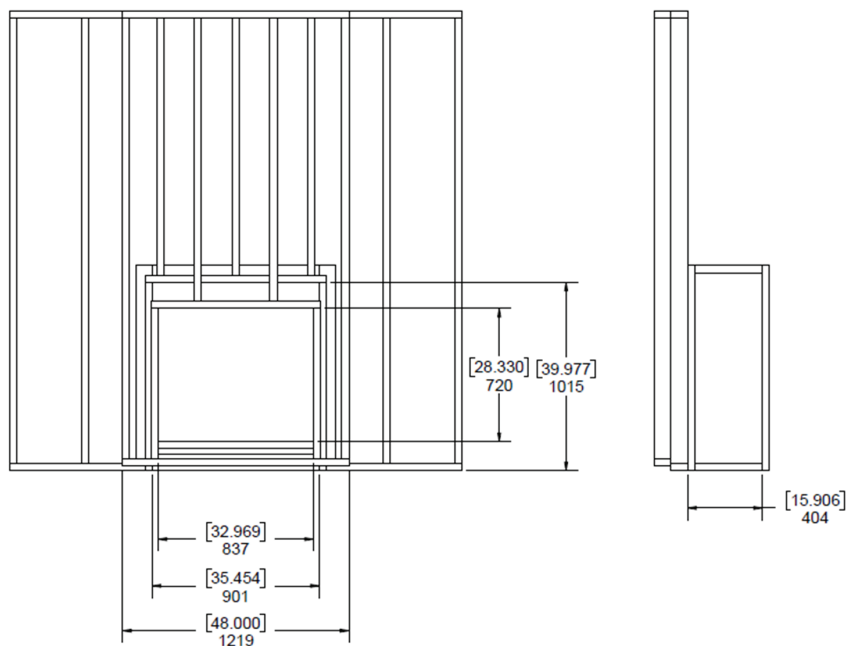
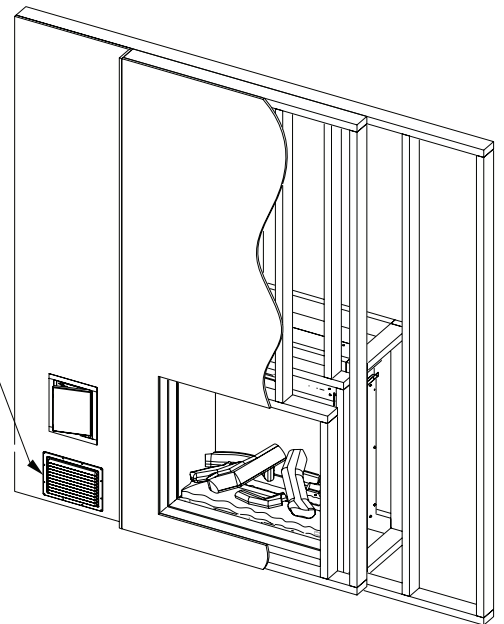
The following instructions are suggested framing options and are to be used as a guide (2x4 construction is shown). Please refer to the specifications section for fireplace dimensions to create custom framing.

! NOTE: The e-MatriX needs a minimum intake ventilation of 40 in² (258 cm²) below the fireplace. The intake must allow for air to reach the underside of the unit.

FEF3226L1 – Framing Option 1

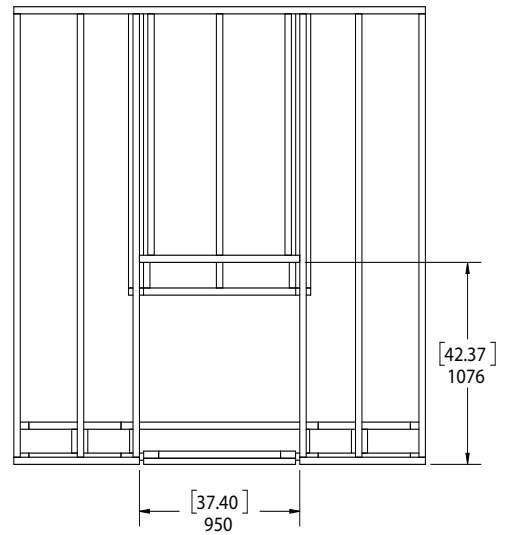
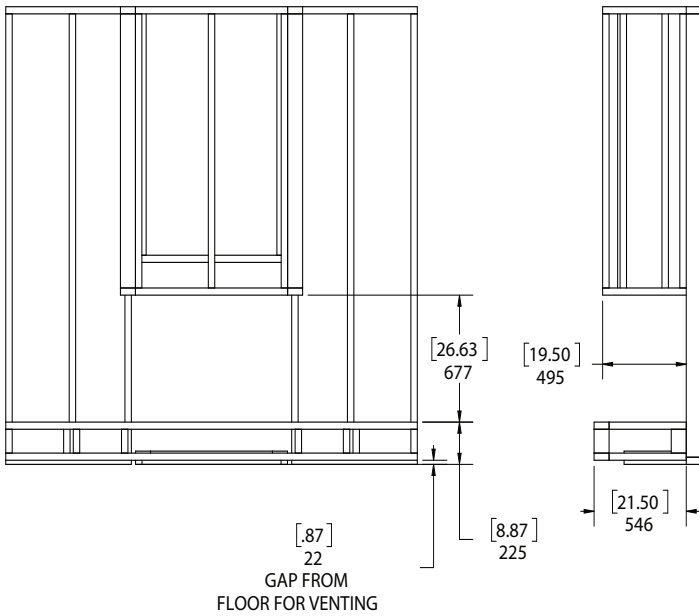
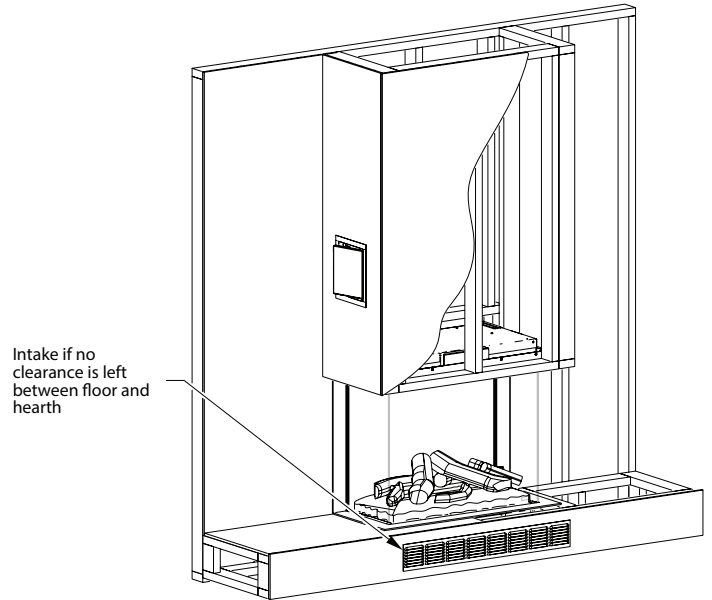
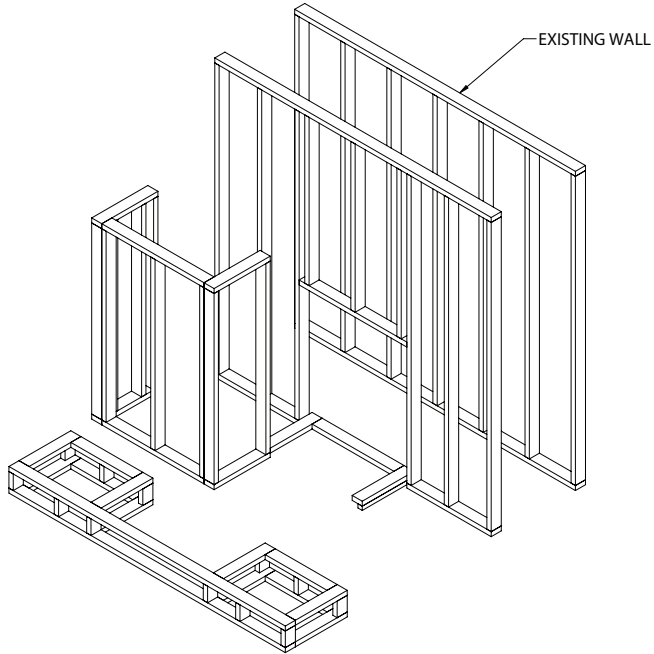


Intake if no gap is left between floor and hearth



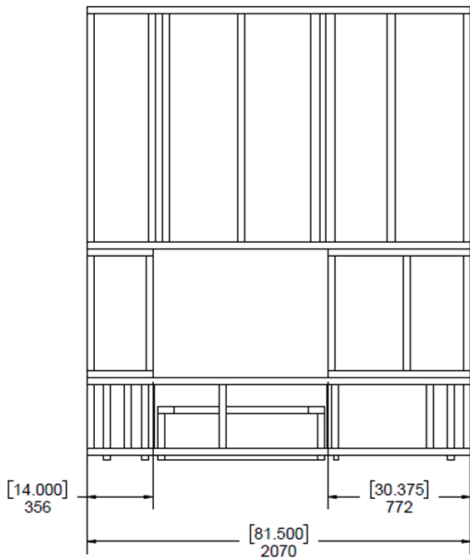
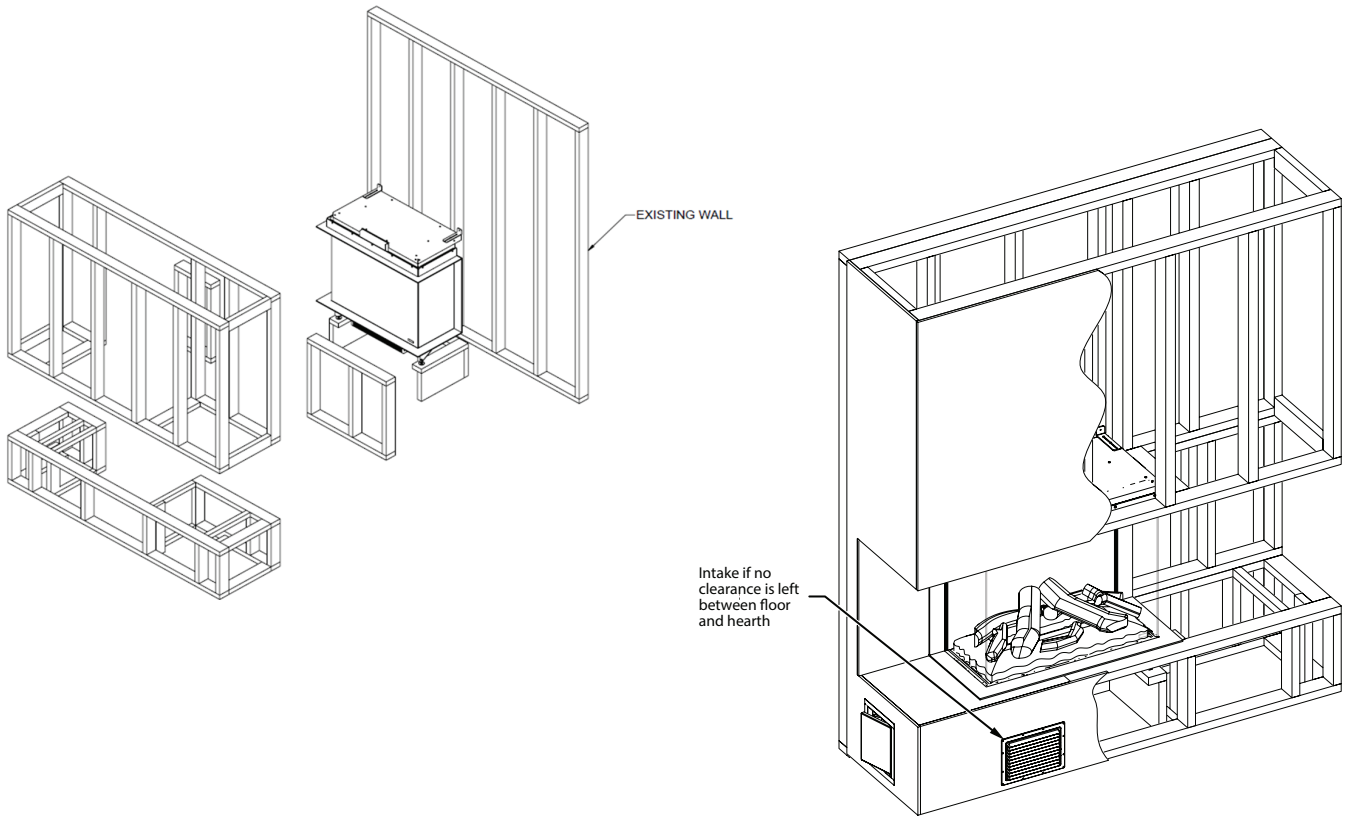
Installation

FEF3226L2/L3 – Framing Option 1

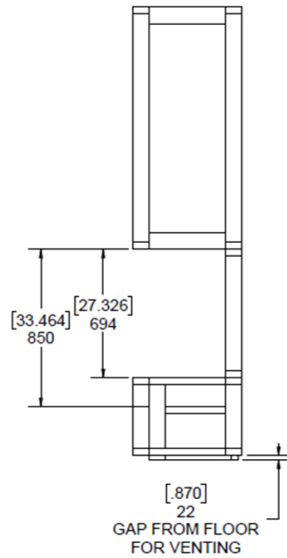


Installation

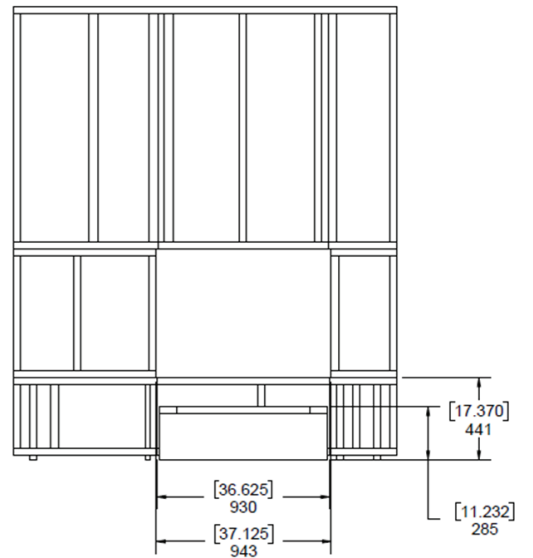
FEF3226L2/L3 – Framing Option 2



FRONT VIEW
BACK WALL NOT SHOWN



SIDE VIEW
BACK WALL NOT SHOWN

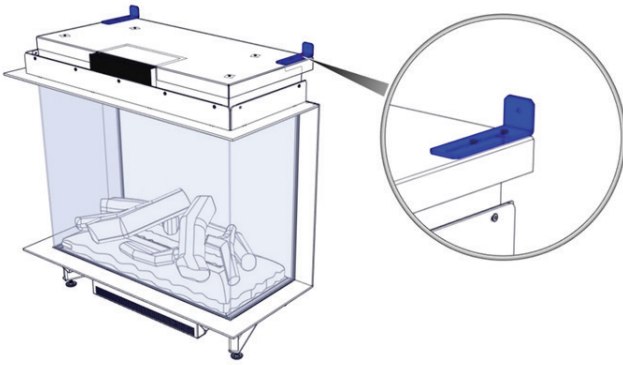


REAR VIEW
BACK WALL NOT SHOWN

Installation

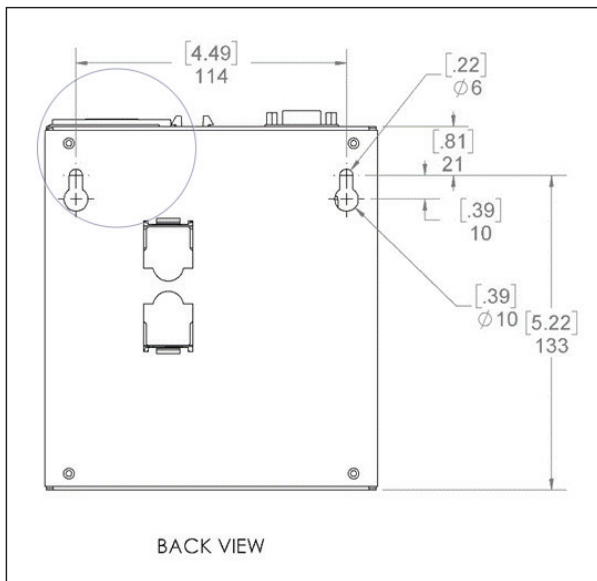
Placing the Fireplace

1. Place the fireplace into the opening. Level with adjustable feet and if additional adjustment is required shims can be used.
2. Place the fireplace at the right position and attach it to the wall.



! NOTE: If the fireplace is going into an existing opening and used with the trim accessory, locate the fireplace as needed for the best appearance. The e-MatriX needs a minimum of 2" (50 mm) free space above the fireplace.

! CAUTION: The e-MatriX needs a minimum intake ventilation of 40 in² (258 cm²) below the fireplace. The intake must allow for air to reach the underside of the unit.



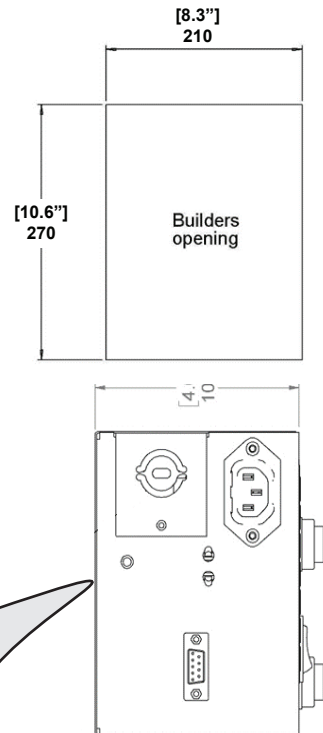
Placing the Control Box

! NOTE: The control box requires an opening 8.3" (210 mm) by 10.6" (270 mm) and a minimum depth of 7.5" (190 mm). The opening must have access to water and electrical connections.

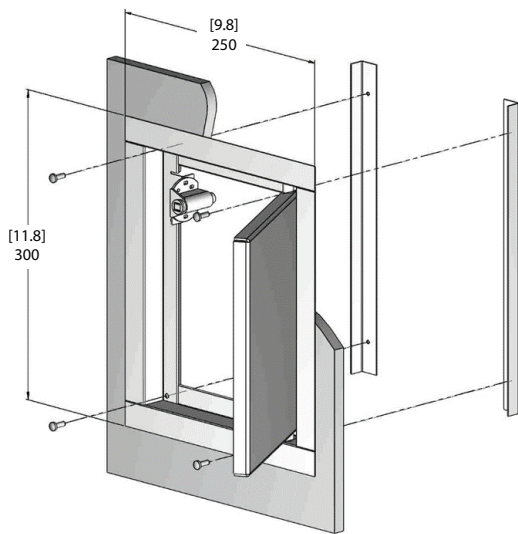
! NOTE: From the center of the fireplace, the control box must be located NO MORE than 59" (1.5 m) to the left and 39 3/8" (1.0 m) to the right of the fireplace.

To install the control box:

1. Mount the control box on 2 screws (not included) on the back wall of the opening. Use screws appropriate for the weight of the control box and the wall material.
2. Install the control box cover door.



Installation



Connect the Electric Supply

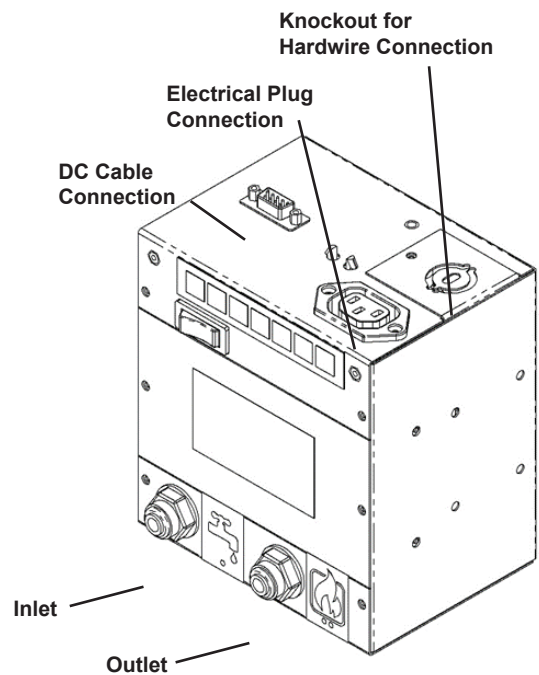
⚠ WARNING: Do not attempt to wire your own circuits. To reduce the threat of fire, electrical shock or injury to persons, always use a licensed electrician.

⚠ WARNING: Make sure the power is off to the circuit on which the fireplace is to be installed until installation is complete.

1. Use a 2-conductor with ground (3 wires total) power supply cable from the circuit breaker to the control box.
2. Allow suitable cable length so that the control box can be connected prior to mounting.
3. Remove the knockout panel from the control box.
4. Feed the power supply wire through the knock out hole and secure using $\frac{1}{2}$ " strain relief.
5. Connect the black wire from the control box to the live (L1) wire from the power supply.
6. Connect the white wire from the control box to the neutral (N) wire from the power supply cable.
7. Connect the green wire from the control box to the ground wire (G) from the power supply cable.
8. Re-install the knockout panel on the control box.

9. Connect the control box to the fireplace using the AC supplied extension cable.
10. Connect the control box DC connection to the fireplace using the supplied DC cable.
11. Mount the control box as described in the previous section.

! NOTE: Maximum cable length from the center of the fireplace to the right of the fireplace is 3.3 ft (1.0 m) and to the left is 4.9 ft (1.5 m).



Installation

Connect the Water Supply

The e-MatriX fireplace is equipped with the following water overflow protections:


- Electromechanical valve in the control box activated by an overflow sensor in the water tank.
- Absorption valve activated by an overflow sensor in the water sump.

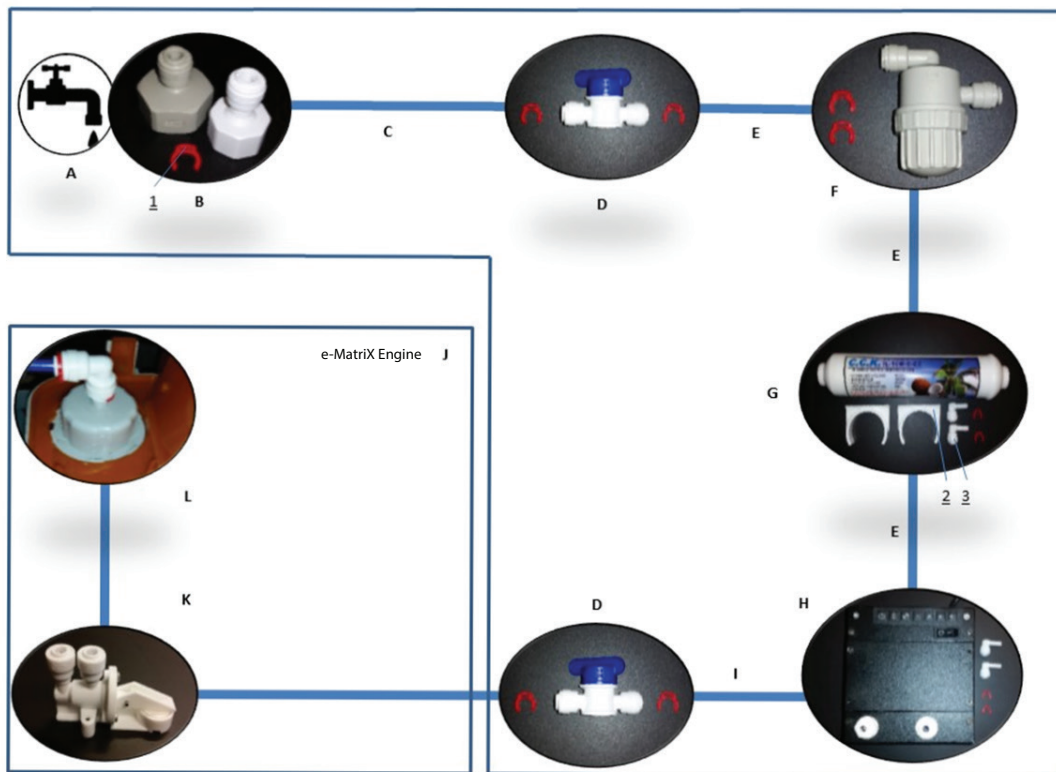
To connect the water supply:

1. Connect all water supply components according to the diagram shown below. All parts are included with the product.
2. Place the water filters at an accessible location in correct alignment. Follow the "flow" direction markings on the filters and control box.

! NOTE: Check all connections for water leakage before placing the fuel bed and front glass.

Check Water Connections for Leaks

1. Make sure all ball valves are open.
2. Turn on the water supply.
3. Press the Main switch [] on the control box to the ON position.
 - If the water level is high enough, the flames will automatically start after 45 sec.
 - If the water level is not high enough the LEDs will blink twice after 45 sec. Press the Main switch to the OFF position, wait 5 sec and repeat the step above. (This process may need to be repeated several times).
4. Make sure all water connections are tight and do not leak.



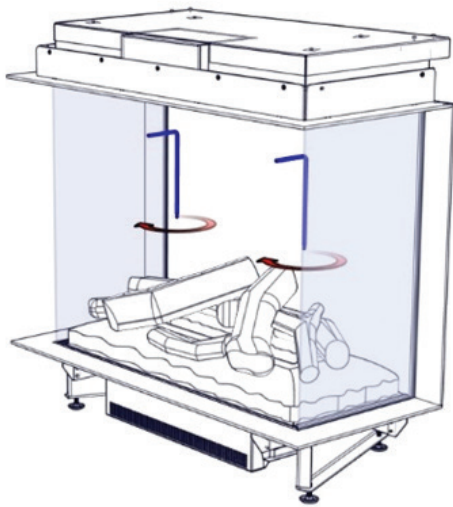
- | | | |
|---------------------------|----------------------------------|--|
| A = Mains Water | E = To be cut from 1/4" 1m pipe | I = 1/4" 1.5m Pipe |
| B = 1/2 or 3/4" Connector | F = Mesh Filter | J = e-MatriX engine |
| C = 1/4" 1m Pipe | G = In-line Filter | K = Absorption Valve. User does not need to connect. Reference for service only. |
| D = Ball Valve | H = Control Box | L = Fill Cap. User does not need to connect. Reference for service only. |
| 1 = Safety Clips (11x) | 2 = In-line Filter Brackets (2x) | 3 = Elbows (4x) |

Installation

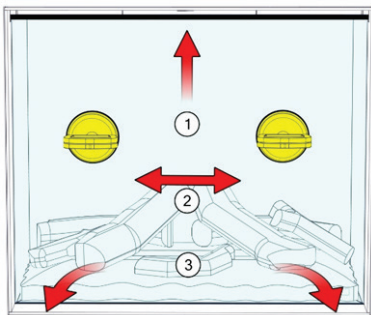
Placing the Fuel Bed

⚠ CAUTION: Never lift the fuel bed without using the supplied handles.

1. Lift the fuel bed carefully by the handles.
2. Connect the electrical plug and sit the fuel bed in place.
3. Unscrew the handles from the fuel bed and keep them for future use.

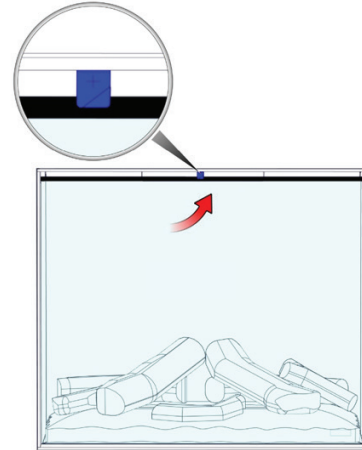


4. Place suction cups and replace the front glass.



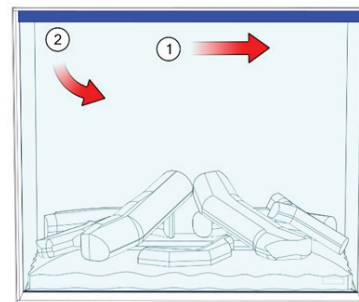
Front glass only

Rotate the clamp counter-clockwise to lock the glass into position.



2- or 3-sided glass

Rotate the glass clamp counter-clockwise to lock the glass into position.

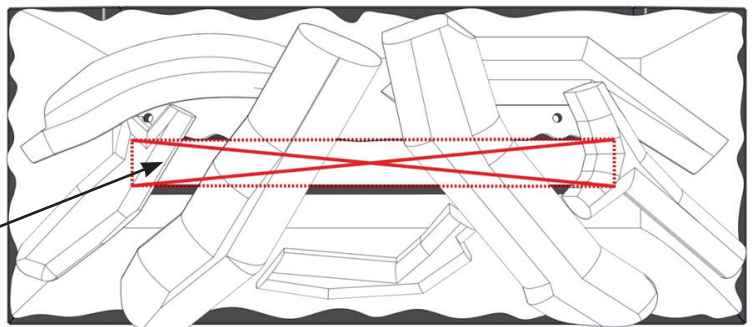


Place Decoration Material

The supplied artificial ash and chips can be used to personalize your fire!

⚠ CAUTION: Keep decoration material away from children, persons with reduced physical or mental capabilities, and animals.

Do not place decorative material in the center area.



🔑 Operation

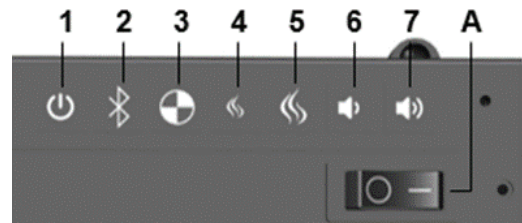
- ⚠️ **WARNING:** The e-Matrix fireplace must be installed properly before it is used.
- ⚠️ **CAUTION:** Except for installation and cleaning described in this manual, an authorized service representative should perform any other servicing.

First Time Water Fill

1. Make sure all ball valves are open.
2. Turn on the water supply
3. Press the Main button [🔌] on the control box to the ON position.
 - If the water level is high enough, the flames will automatically start after 45 sec.
 - If the water level is not high enough the LEDs will blink twice after 45 sec. Press the Main switch to the OFF position, wait 5 sec and repeat the step above. (This process may need to be repeated several times).

Manual Control Panel

The manual controls for the e-Matrix fireplace are located on the front of the control box (located behind the access door after installation). Touch an icon to activate.

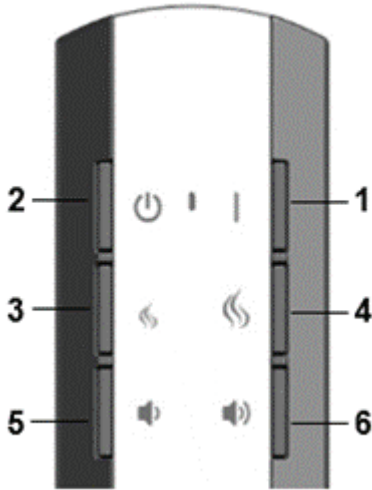


	Icon	Description
A	🔌	Main switch: Toggle ON/OFF. (1 beep will be heard.)
1	🔌	Press to activate (ON). (1 beep will be heard.) Press again to turn OFF.
2	📶	Press to activate remote pairing. The fireplace will start to beep and LED will flash. To pair the remote press any button on the remote during this time. Pairing is complete when the fireplace turns OFF.
3	🛠️	Maintenance: For use by service technician.
4	🔥	Press multiple times to reduce the flame height.
5	🔥	Press multiple times increase the flame height.
6	🔊	Press multiple times to reduce the fire crackling sound.
7	🔊	Press multiple times to increase the fire crackling sound.

🔑 Operation

Remote Control

A multi-function remote control is included. The remote control has a maximum range of 30 ft (9 m).



	Icon	Description
1	○	Main switch: Toggle ON/OFF. (1 beep will be heard.)
2	⏻	Press to activate (ON). (1 beep will be heard.) Press again to turn OFF.
3	🔥	Press multiple times to reduce the flame height.
4	🔥	Press multiple times increase the flame height.
5	🔊	Press multiple times to reduce the fire crackling sound.
6	🔊	Press multiple times to increase the fire crackling sound.

Pairing Remote

Connect (pair) the remote control to the control box and use the remote to turn the fireplace ON/OFF, adjust the flame height, and adjust the fire crackling sound volume.

To pair the remote and control box:

1. Turn the main switch on the control box to the ON position. (The control box beeps once.)
2. Press the Main button [⏻] on the control box to start the fire. (The control box beeps once.)
3. Press the pairing button [🔗] on the control box to start the fireplace. (The control box beeps once and the icon LEDs blink on and off.)
4. Press the Main button [⏻] on the remote control to turn the fireplace off.

When the remote control is paired, check if all the remote control functions are available from the desired distance.

5. If needed, move the receiver to a different position inside or outside the construction.

! NOTE: The receiver is located at the back inside of the fireplace unit. The receiver has a cable length of 4.4 ft (1.4 m).



Battery Replacement

To replace the battery:

1. Loosen screw on back of remote and slide battery cover open.
2. Install two 1.5V AA batteries.
3. Slide battery cover closed and tighten screw.



Battery must be recycled or disposed of properly. Check with your Local Authority or Retailer for recycling advice in your area.

Getting the Desired Flame Effect

! **NOTE:** The fireplace always starts with minimum flame setting.

1. Press the increase flame button [🔥] for higher flames, or the decrease flame button [🔥] for lower flames. Give the flame generator time to react to the change.

! **NOTE:** Increasing the flame height can lead to condensation on the glass.

2. Press the increase sound button [🔊] for higher crackling sound or the decrease sound button [🔊] for lower crackling sound. The minimum volume of this sound is OFF.

If the fireplace is either turned to standby or switched off entirely, it will always revert to the minimum flame setting. The sound level will remain the same as the last sound level set.

Maintenance Schedule

The maintenance interval depends on the water quality and/or the running hours and therefore can differ from the following recommendations.

- Clean the water sump and air filter, and replace the transducers every 3 months for commercial use or every 12 months for residential use.
- Clean the mesh filter every 3 months and replace the in-line filter every 12 months for commercial use and every 24 months for residential use.

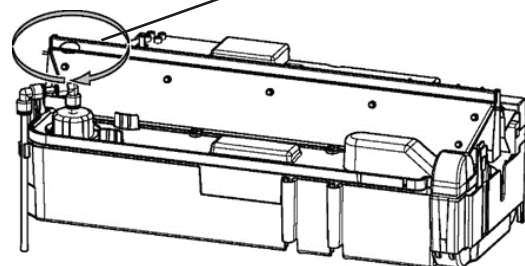
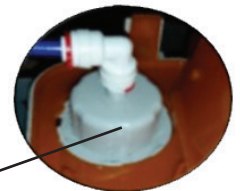
Cleaning the Water Sump

⚠ **WARNING:** Always press the Main switch to the OFF position and disconnect the power supply before cleaning the water sump.

⚠ **CAUTION:** Never use abrasive cleaners.

To clean the water sump:

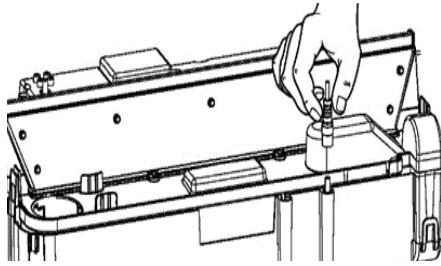
1. Remove the front glass (see the instructions in the section "Preparing the Fireplace for Placement" on page 8).
2. Remove the fuel bed (see the instructions in the section "Preparing the Fireplace for Placement" on page 8).
3. Disconnect the fill cap (turn the cap clockwise).



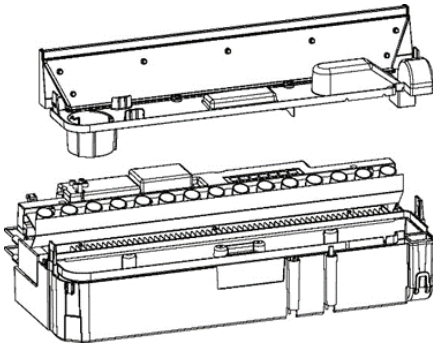
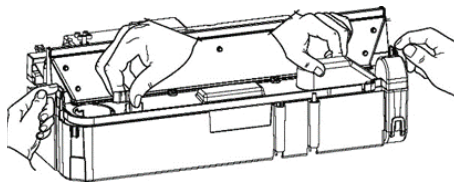


Maintenance

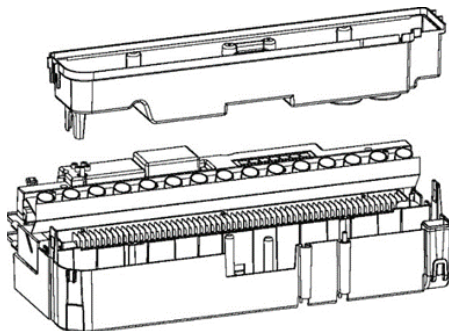
4. Disconnect the 2 connectors, located on the right side of the water sump.



5. Release the 2 clips on both sides and remove the nozzle.



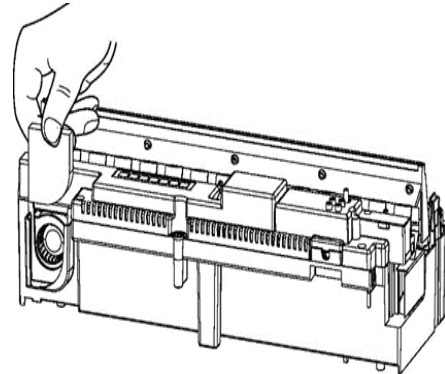
6. Gently lift up the water sump without spilling any water.



7. Remove the transducers and empty the water sump.
8. Clean and rinse the sump and transducers:
 - Put a small amount of liquid detergent into the sump.
 - Use a soft brush to clean the sump.
 - Clean the transducers, including the discs underneath the cone. Remove the cone by turning it clockwise.
 - Thoroughly rinse the water sump with clean water to remove all traces of detergent.
9. Clean the nozzle with a soft brush and flush out thoroughly with water.
10. Reverse the steps to reassemble.

Cleaning Air Filter

1. Gently slide the air filter upwards out of its plastic holder



2. Gently rinse with water in the sink and dry with fabric towel before returning.
3. Replace the filter making sure that the coarse black filter is facing the front of the fire.
4. Place the fuel bed and the front glass (see the instructions in the section "Preparing the Fireplace for Placement" on page 8).



Maintenance

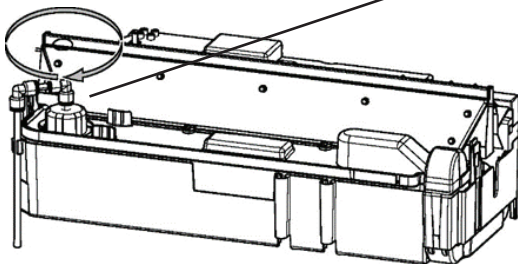
Replacing Transducers

⚠ WARNING: Always press the Main switch to the OFF position and disconnect the power supply before cleaning the water sump.

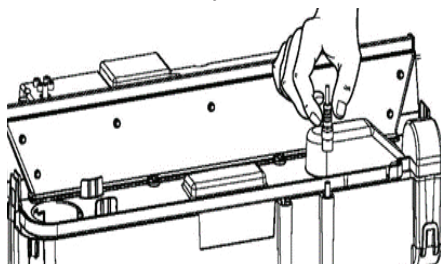
! NOTE: The transducers are fixed in the water sump with plastic clips.

To replace the transducers:

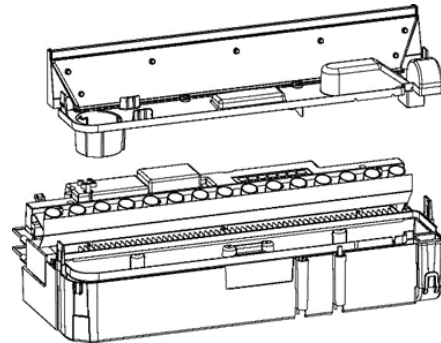
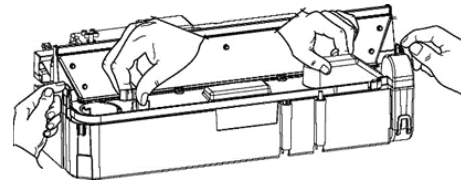
1. Remove the front glass and fuel bed (see the instructions in the section "Preparing the Fireplace for Placement" on page 8).
2. Disconnect the fill cap (turn clockwise).



3. Disconnect the 2 connectors, located on the right side of the water sump.



4. Release the 2 clips on both sides and remove the nozzle.



5. Press the clip back and lift the transducer upwards out of its holder.
6. Place the new transducers.
7. Repeat the steps above in reverse order to reassemble.

Cleaning Mesh Filter

1. Turn off the water supply.
2. Close the ball valves.
3. Unscrew the base and clean the filter inside.

Replacing In-line Filter

1. Turn off the water supply.
2. Close the ball valves.
3. Replace the in-line filter.

! NOTE: Be sure to place the filter in correct alignment. Match the "flow" direction marking on the filter.



Resetting Absorption Valve

The absorption valve is located on the right front side at the bottom of the fireplace unit.



To reset the absorption valve:

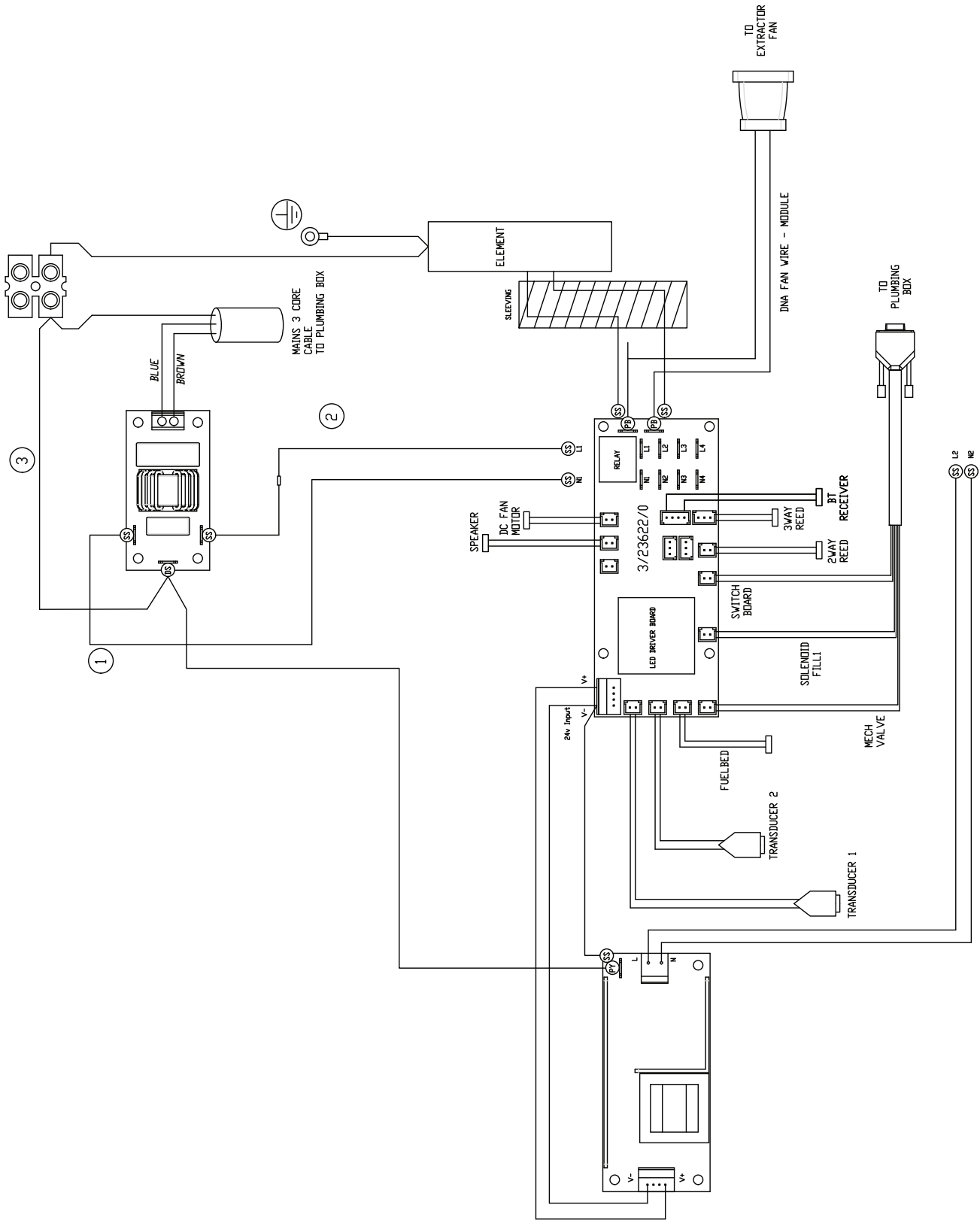
1. Remove the activated absorption pill.
2. Fix the cause of the water leakage.
3. Remove any water at the bottom of the water sump.
4. Place the new pill.
5. Press down on the white clamp to open the absorption valve.



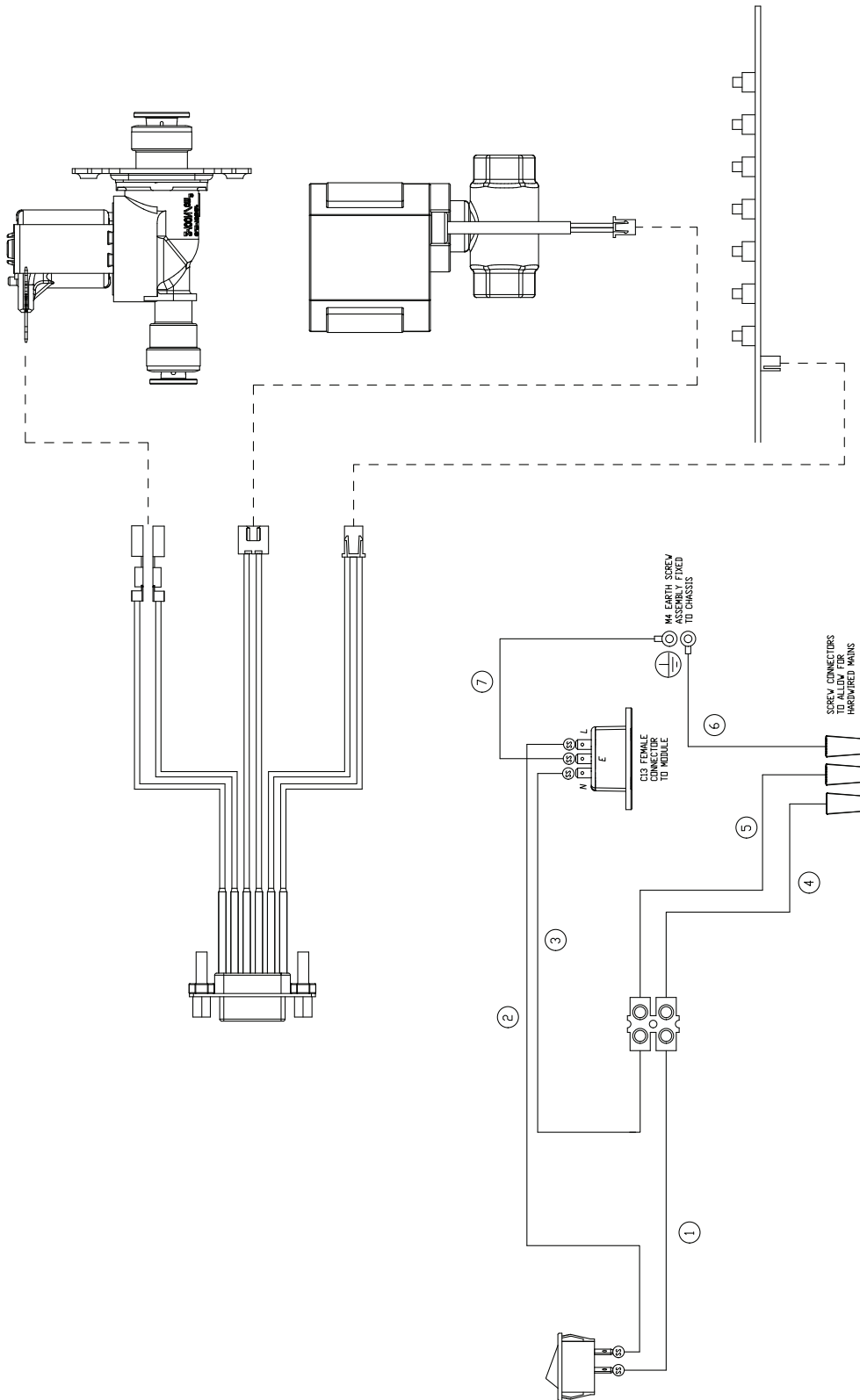
Troubleshooting

Symptom	Cause	Action
The flame effect will not start.	Transducer is not installed properly	Make sure the connectors are inserted correctly.
e-MatriX will not start or stopped working and the LEDs continuously blink twice.	Low water level.	See "Check Water Connections for Leaks" on page 15.
	The absorption valve is activated	See "Resetting Absorption Valve" on page 22.
e-MatriX will not operate, the LEDs continuously blink once every eight seconds.	Water level too high.	Remove water from the sump so that water is between high and low water marks. Check the electromechanical valve in the Control box.
e-MatriX will not operate, the LEDs continuously blink four times.	Water filling time is too long.	Switch the mains switch of the Control box to the OFF position. Check connections for water leakage. Close the ball valves. Unscrew the mesh filter base and remove any dirt or debris.
The flame effect is too low on the highest setting.	The transducers and/or air filter are dirty.	See "Replacing Transducers" on page 21 and/or "Cleaning Air Filter" on page 20.
	Air flow is insufficient.	Check to make sure there is enough airflow to the bottom of the unit.
The flame effect is too high and there is too much smoke.	The exhaust fan does not work.	Make sure the fan, mounted at the top inside the fireplace, is running.
	Air filter is not in place.	Ensure air filter is in correct position, see page 20.
Remote is not working.	Low batteries.	Place new batteries.
	Remote is not paired to receiver.	See "Pairing Remote" on page 18.
	Remote too far from control receiver	See "Pairing Remote" on page 18.

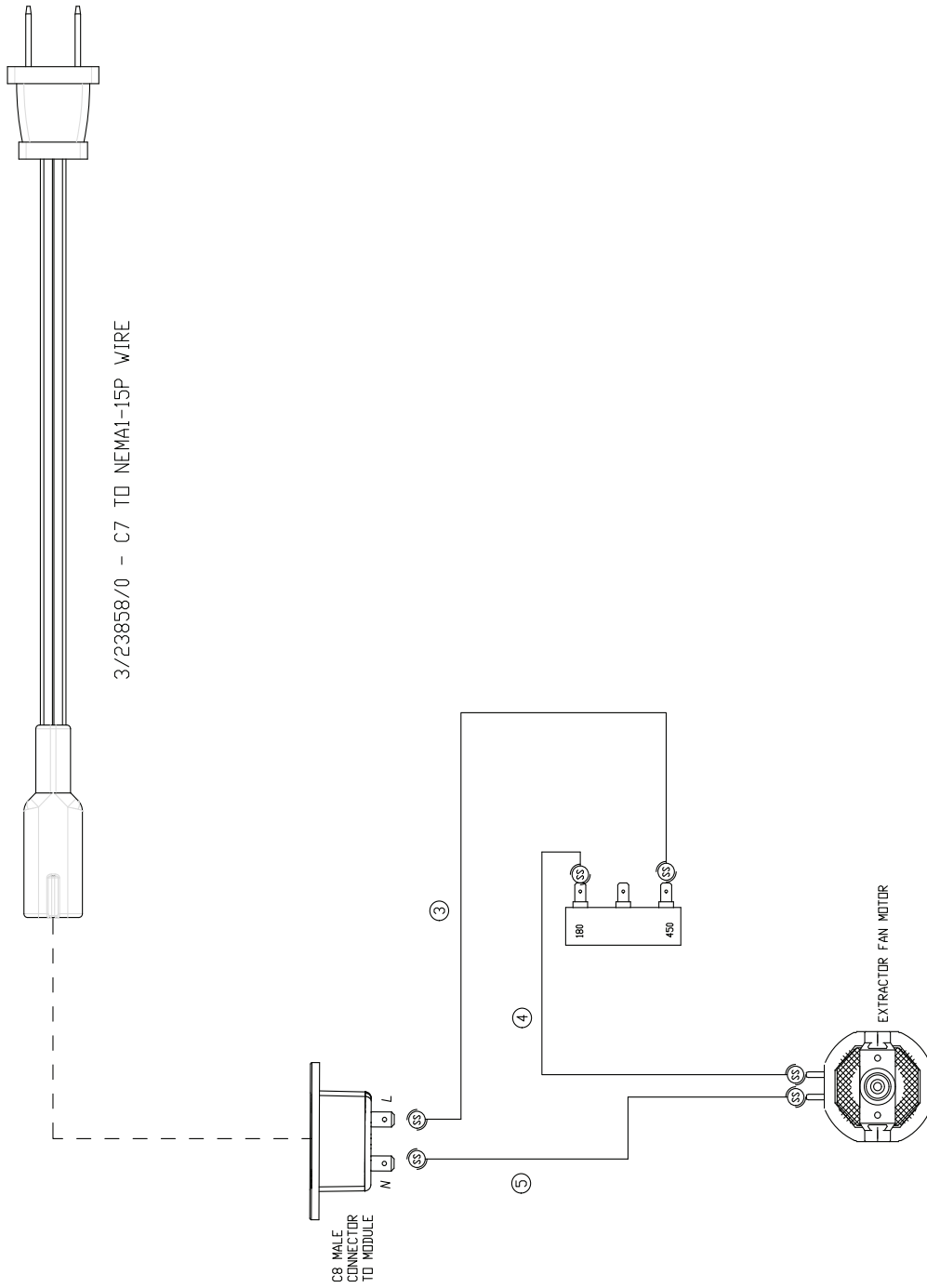
Fireplace (Engine) Wiring Diagram



Control Box Wiring Diagram



Fan Wiring Diagram



Five Year Limited Warranty

Products to which this limited warranty applies

This limited warranty applies to your newly purchased Faber e-MatriX fireplace. This limited warranty applies only to purchases made in any province of Canada except for Yukon Territory, Nunavut, or Northwest Territories or in any of the 50 States of the USA (and the District of Columbia) except for Hawaii and Alaska. This limited warranty applies to the original purchaser of the product and is fully transferable to subsequent owners. This warranty should remain with the Faber e-MatriX fireplace so that subsequent owners will have access to this information. The information below must be presented along with the proof of purchase should any future warranty service be required.

Owners Name:

- Address of Installation:
- (Number/Street/ City/ State/Prov Zip/Postal
- Model Number:
- Serial Number:
- Purchase Date:
- Place of Purchase:

Products excluded from this limited warranty

The fireplace is only covered for transportation to the end user and will not be covered if damage occurs during normal operation and/or maintenance. Products purchased in Yukon Territory, Nunavut, Northwest Territories, Hawaii, or Alaska are not covered by this limited warranty. Products purchased in these States, Provinces, or Territories are sold AS IS without warranty or condition of any kind (including, without limitation, any implied warranties or conditions of merchantability or fitness for a particular purpose) and the entire risk of as to the quality and performance of the products is with the purchaser, and in the event of a defect the purchaser assumes the entire cost of all necessary servicing or repair.

What this limited warranty covers and for how long

Products, covered by this limited warranty have been tested and inspected prior to shipment. Subject to the provisions of this warranty, Glen Dimplex Americas warrants such products to be free from defects in material and workmanship for a period of 5 years from the date of the first purchase of such products as follows:

- (a) repair or replacement warranty on defective products or parts, including in-home services, for the first year following the date of first purchase
- (b) thereafter, a replacement of products and parts (with no in-home services) for the 1 year period commencing on the first anniversary of first purchase and ending on the second anniversary of the date of first purchase

- (c) thereafter a repair or replacement warranty on defective glass and the fireplace chassis where perforation is visible (with no in-home service) for a 3 year period commencing on the second anniversary of the date of first purchase and ending on the fifth anniversary of the date of first purchase.

The limited 5 year warranty period for products also applies to any implied warranties that may exist under applicable law. Some jurisdictions do not allow limitations on how long an implied warranty lasts, so the above limitation may not apply to the purchaser.

What this limited warranty does not cover

This limited warranty does not apply to products that have been repaired (except by Glen Dimplex Americas or its authorized service representatives) or otherwise altered. This limited warranty does further not apply to defects resulting from misuse, abuse, accident, neglect, incorrect installation, improper maintenance or handling, or operation with an incorrect power source.

What you must do to get service under this limited warranty

Defects must be brought to the attention of Glen Dimplex Americas Technical Service by contacting Glen Dimplex Americas at 1-888-346-7539, or online at www.faberfire.com/customer_support. Please have proof of purchase, catalog/model and serial numbers available when calling. Limited warranty service requires a proof of purchase of the product.

What Glen Dimplex Americas will do in the event of a defect

In the event a product or part covered by this limited warranty is proven to be defective in material or workmanship during the 5 year limited warranty period, you have the following rights:

- Glen Dimplex Americas will in its sole discretion either repair or replace such defective product or part without charge. If Glen Dimplex Americas is unable to repair or replace such product or part, or if repair or replacement is not commercially practicable or cannot be timely made, Glen Dimplex Americas may, in lieu of repair or replacement, choose to refund the purchase price for such product or part.
- Limited warranty service will be performed solely by dealers or service agents of Glen Dimplex Americas authorized to provide limited warranty services.
- For the period ending at midnight on the first anniversary of the date of first purchase, Glen Dimplex Americas will in its sole discretion either repair or replace such defective product or part without charge. If Glen Dimplex Americas is unable to repair or replace such product or part, or if repair or replacement is not commercially practicable or cannot be timely made, Glen Dimplex Americas may, in lieu of repair or replacement, choose to

Warranty

refund the purchase price for such product or part. This limited warranty entitles the purchaser to on-site or in-home warranty services. Accordingly, Glen Dimplex Americas will be responsible for all labor and transportation costs associated with the repair or replacement of the product or part except as follows: (i) charges may be levied for travel costs incurred to travel to the purchaser's site where the product is located if the purchaser's site is beyond 30 miles (48 km) from the closest service depot of Glen Dimplex Americas' dealer or service agent; and (ii) the purchaser is solely responsible for providing clear access to all serviceable parts of the product.

- For the period commencing at 12:01 a.m. on the day after the first anniversary of the first purchase and ending at midnight on the second anniversary of the date of first purchase, this limited warranty entitles the purchaser to replacement parts only without charge. If Glen Dimplex Americas is unable to replace such part, or if replacement is not commercially practicable or cannot be timely made, Glen Dimplex Americas may, in lieu of replacement, choose to refund the purchase price for such part. The purchaser shall not be entitled to on-site or in-home warranty services. The purchaser shall be responsible for all expenses incurred for the removal of the part and installation of the replacement part including, without limitation, all shipping costs and transportation costs to and from the authorized dealer's or service agent's place of business and all labor costs. Such costs shall not be the responsibility of Glen Dimplex Americas.
- For the period commencing at 12:01 a.m. on the day after the second anniversary of the first purchase and ending at midnight on the fifth anniversary of the date of first purchase, this limited warranty entitles the purchaser to replacement parts of the glass and fireplace chassis only without charge. If Glen Dimplex Americas is unable to replace such part, or if replacement is not commercially practicable or cannot be timely made, Glen Dimplex Americas may, in lieu of replacement, choose to refund the purchase price for such part. The purchaser shall not be entitled to on-site or in-home warranty services. The purchaser shall be responsible for all expenses incurred for the removal of the part and installation of the replacement part including, without limitation, all shipping costs and transportation costs to and from the authorized dealer's or service agent's place of business and all labor costs. Such costs shall not be the responsibility of Glen Dimplex Americas.

What Glen Dimplex Americas and its dealers and service agents are also not responsible for:

IN NO EVENT WILL GLEN DIMPLEX AMERICAS, OR ITS DIRECTORS, OFFICERS, OR AGENTS, BE LIABLE TO THE PURCHASER OR ANY THIRD PARTY. WHETHER IN CONTRACT, IN TORT, OR ON ANY OTHER BASIS, FOR ANY INDIRECT, SPECIAL, PUNITIVE, EXEMPLARY, CONSEQUENTIAL, OR INCIDENTAL LOSS, COST, OR DAMAGE ARISING OUT OF OR IN CONNECTION WITH THE SALE, MAINTENANCE, USE, OR INABILITY TO USE THE PRODUCT, EVEN IF GLEN DIMPLEX AMERICAS OR ITS DIRECTORS, OFFICERS, OR AGENTS HAVE BEEN ADVISED OF THE POSSIBILITY OF SUCH LOSSES, COSTS OR DAMAGES, OR IF SUCH LOSSES, COSTS, OR DAMAGES ARE FORESEEABLE. IN NO EVENT WILL GLEN DIMPLEX AMERICAS, OR ITS OFFICERS, DIRECTORS, OR AGENTS BE LIABLE FOR ANY DIRECT LOSSES, COSTS, OR DAMAGES THAT EXCEED THE PURCHASE PRICE OF THE PRODUCT. SOME JURISDICTIONS DO NOT ALLOW THE EXCLUSION OR LIMITATION OF INCIDENTAL OR CONSEQUENTIAL DAMAGES, SO THE ABOVE LIMITATION OR EXCLUSION MAY NOT APPLY TO THE PURCHASER.

How State and Provincial law apply

This limited warranty gives you specific legal rights, and you may also have other rights which vary from jurisdiction to jurisdiction. The provisions of the United Nations Convention on Contracts for the Sale of Goods shall not apply to this limited warranty or the sale of products covered by this limited warranty.

Technical Support

Technical and troubleshooting support, as well as a list of replacement parts can be found on:

www.faberfire.com/customer_support

1-888-346-7539



1-888-346-7539 | www.faberfire.com

In keeping with our policy of continuous product improvements, we reserve the right to make changes without notice.

© 2019 Glen Dimplex Americas

Glen Dimplex 
AMERICAS
Enhancing the moments that matter in life



Manuel d'utilisation



e-Matrix 800/650 (32 po x 26 po) Cheminée électrique uni, bi et trilatérale.











Modèles FEF3226L1, FEF3226L2L, FEF3226L2R, FEF3226L3

INFORMATION IMPORTANTE EN MATIÈRE DE SÉCURITÉ : Lire ce manuel avant d'essayer d'installer ou d'utiliser la cheminée électrique e-Matrix. Toujours suivre les instructions en matière de sécurité et les avertissements indiqués dans ce manuel pour éviter des dommages personnels ou matériels.

Pour voir toute la gamme de produits Faber, rendez-vous sur www.faberfire.com



Table des matières

 Bienvenue	3
 INSTRUCTIONS IMPORTANTES	4
 Spécifications	5
 Installation	8
 Utilisation	17
 Entretien	19
 Dépannage	23
 Alimentation	24
 Garantie	27
 Soutien technique	28

Conventions utilisées dans ce manuel :

- !** **NOTE** : Procédures et techniques importantes à souligner.
- ⚠** **PRÉCAUTION** : Les procédures et techniques qui ne seraient pas respectées pourraient entraîner des dommages au niveau du matériel.
- ⚡** **AVERTISSEMENT** : Les procédures, avertissements et techniques qui ne seraient pas respectées pourraient exposer l'utilisateur à des risques d'incendie, des dommages graves ou la mort.



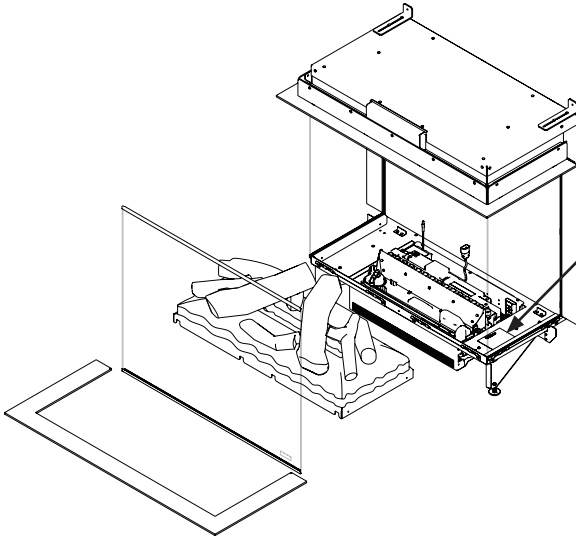
GARDEZ CES INSTRUCTIONS



Bienvenue

Merci d'avoir acheté la cheminée électrique e-MatriX. Veuillez utiliser notre site d'enregistrement en ligne pour enregistrer votre modèle et les numéros de séries comme référence ici :

www.faberfire.com/register




⚠ PRÉCAUTION : Lisez attentivement toutes les instructions et avertissements avant de commencer l'installation. Si vous ne suivez pas les instructions, cela peut entraîner un choc électrique ou des risques d'incendie et la garantie ne sera pas valide. La cheminée doit être installée uniquement par un technicien qualifié en conformité avec les normes locales en matière d'eau et électricité.


Le modèle et le numéro de série sont sous l'ensemble de bûches

Avant de procéder à l'installation, vérifiez si la cheminée e-MatriX ne présente pas de dommages survenus lors du transport. Si vous détectez des problèmes, signalez-les immédiatement à votre fournisseur. Assurez-vous que tous les éléments suivants sont inclus :

- Boîte de contrôle
- Télécommande
- Décoration matérielle (cendre et copeaux artificiels)
- Coupe de suction (2x)
- Porte de service
- Transducteurs de rechange (2x)
- Pilule d'absorption



GLEN DIMPLEX AMERICAS
1367 INDUSTRIAL ROAD
CAMBRIDGE, ON, N3H 4W3
CANADA
DO NOT SUBMERSE
NE PLONGER
NO SUMERJA

MODEL / MODELE
MODELO 6910360100 MOD -
CAT.#
N° de Cat. FEF3226L1
SERIAL NO.
NUMÉRO DE SÉRIE 0011911GDB 001
NUMERO DE SERIE
270 W, 120 V ~, 60 Hz  AIR HEATER
CHAUFFE-AIR
CALENTADOR DE AIRE
146Y
E71416

FOR USE IN INDOOR DRY LOCATION ONLY
POUR USAGE DANS DES ENDROITS SECS A L'INTERIEUR SEULEMENT
PARA EL USO EN LOCALIZACIONES SECAS DE INTERIOR SOLAMENTE

THIS PRODUCT MAY BE COVERED BY ONE OR MORE U.S. PATENTS OR PENDING PATENT APPLICATIONS. SEE WWW.DIMPLEX.COM/PATENTS FOR DETAILS.
CE PRODUIT PEUT ÊTRE PROTÉGÉ PAR UN OU PLUSIEURS BREVETS AMÉRICAINS OU DES APPLICATIONS DE BREVET EN ATTENTE. VISITEZ WWW.DIMPLEX.COM/PATENTS POUR PLUS D'INFORMATIONS.
ESTE PRODUCTO PUEDE ESTAR CUBIERTO POR UNA O MÁS PATENTES DE ESTADOS UNIDOS O SOLICITUDES DE PATENTES PENDIENTES. VER WWW.DIMPLEX.COM/PATENTS PARA OBTENER MÁS DETALLES.

MADE IN NETHERLANDS / FAIT EN PAYS-BAS / ECHO EN PAÍSES BAJOS
71229400400R01



PAS NÉCESSAIRE DE RENVOYER AU MAGASIN

Avez-vous des questions par rapport au fonctionnement ou l'assemblage ? Avez-vous besoin de renseignements sur les différentes parties ? Avez-vous des questions sur la garantie du produit par le fournisseur ?

Contactez-nous :  www.faberfire.com/customer_support

Pour un dépannage et un support technique

OU  appelez sans frais au 1-888-346-7539

Pour mieux vous répondre, veuillez vous munir de votre numéro de modèle et de vos numéros de série avant d'appeler.

INSTRUCTIONS IMPORTANTES


Pour votre sécurité, respectez toujours tous les avertissements et instructions de sécurité dans ce manuel pour éviter des dommages personnels ou matériels.


Lorsque vous utilisez un dispositif électrique, il faut toujours respecter des précautions de base afin de réduire le risque d'incendie, de choc électrique et des blessures physiques. Ces précautions incluent :

! NOTE : Pour des raisons liées à la certification, la cheminée est considérée comme un réchaud. La sortie de chaleur est minimale et ne doit pas être considérée une source de chaleur additionnelle.

- ① Lisez toutes les instructions avant d'utiliser l'unité.
- ② N'utilisez pas l'unité si elle a subi des dommages. Contactez le soutien technique au 1-888-346-7539.
- ③ Ne pas utiliser en plein air.
- ④ Il faut faire très attention quand le réchaud est utilisé par ou près d'enfants ou une personne en situation d'invalidité et chaque fois que le réchaud est en marche et non surveillé.
- ⑤ N'utilisez pas le réchaud s'il ne fonctionne pas normalement. Débranchez la source électrique et demandez à un technicien confirmé de contrôler le réchaud avant de le réutiliser.
- ⑥ Pour débrancher l'unité, éteignez les commandes et débranchez la source électrique du panneau de service.
- ⑦ N'insérez pas et ne permettez pas l'entrée d'objets au niveau des ouvertures de ventilation, cela peut entraîner un choc électrique ou un incendie.
- ⑧ Pour éviter le risque d'incendie, ne bloquez pas les entrées ou sorties d'air.

- ⑨ Tous les réchauds électriques comportent des parties chaudes ou qui font des étincelles à l'intérieur. N'utilisez pas le réchaud dans des lieux d'entrepôt ou d'utilisation d'essence, de peinture ou de liquides inflammables.
- ⑩ Ne modifiez pas l'unité. Utilisez l'unité uniquement comme décrit dans le manuel. Tout autre usage qui n'est pas recommandé par le fabricant peut entraîner un incendie, des chocs électriques ou des blessures physiques.
- ⑪ Ne brûlez pas de bois ou d'autres matériaux dans l'unité.
- ⑫ S'il faut changer les circuits ou les prises, contactez toujours un technicien certifié.
- ⑬ Débranchez l'alimentation électrique avant de nettoyer, d'entretenir ou de déplacer l'unité.
- ⑭ Quand vous transportez ou entreposez l'unité, assurez-vous de le faire dans un endroit sec, sans vibrations excessives et placez-la de manière à éviter des dommages.
- ⑮ Ne modifiez pas cette cheminée. Utilisez l'unité uniquement comme décrit dans le manuel. Tout autre usage peut entraîner un choc électrique, un incendie ou des dommages personnels.

 AVERTISSEMENT : La télécommande contient de petites batteries. Évitez le contact avec des enfants. En cas d'ingestion, contactez immédiatement un médecin.

 AVERTISSEMENT : N'installez pas la batterie à l'envers, ne la chargez pas, ne la jetez pas au feu et ne la combinez pas avec d'autres types de batteries déjà utilisées, cela peut provoquer des explosions ou des fuites entraînant des dommages.

! NOTE : Les changements ou modifications n'ont pas été expressément approuvés par le responsable pourraient annuler l'autorité de l'utilisateur pour utiliser le matériel.

PRÉCAUTION



RISQUE DE CHOC ÉLECTRIQUE. NE PAS OUVRIR
LES PARTIES INTÉRIEURES NE PEUVENT PAS ÊTRE ENTRETENUES PAR L'UTILISATEUR



CONSERVEZ CES INSTRUCTIONS

Conformité FCC

⚠ PRÉCAUTION : Cette unité a été mise à l'épreuve et elle respecte les limites correspondant aux dispositifs numériques Classe B établis dans la section 15 des Normes FCC. Ces limites ont été établies pour assurer une protection raisonnable contre des interférences dangereuses dans une installation résidentielle. Cette unité produit, utilise et peut diffuser de l'énergie radioélectrique. Si l'unité n'est pas installée et utilisée en conformité avec les instructions, cela peut entraîner des interférences dangereuses avec la réception de la radio ou la télévision. Cela peut être vérifié en éteignant et en rallumant l'unité. En cas d'interférence, l'utilisateur peut corriger le problème comme suit :


- Réorienter ou déplacer l'antenne.
- Augmenter la séparation entre l'unité et le récepteur.
- Connecter l'unité à une autre prise ou circuit auquel le récepteur est connecté.
- Contacter le vendeur ou un technicien radio/TV qualifié.

L'unité est en conformité avec la Section 15 des Normes FCC. L'utilisation est soumise aux deux conditions suivantes : (1) Cette unité ne doit pas nécessairement provoquer des interférences dangereuses (2) cette unité doit accepter toute interférence reçue, dont les interférences pouvant provoquer un fonctionnement non souhaité.

⚠ AVERTISSEMENT FCC : Les changements ou modifications non approuvés par la personne chargée d'assurer la conformité peuvent annuler l'autorité d'utiliser ce matériel par l'utilisateur.

La cheminée électrique e-Matrix offre une alternative à une cheminée à gaz ou au bois.

Notice technique

Volts	120 V 60 Hz
Ampères	2.25 A @ 25° C
Watts	270 W @ 25° C
Câblage	Raccordement fixe
Type ampoule	DEL
Approbations	 us
Batteries télécommande	(2x) 1.5V AA
Consommation d'eau	0.30 l/hr
Pression d'eau d'entrée	8-110 psi
Connexion d'eau	Ligne d'eau de 1/4 po ou 3/4 po femelle

! NOTE : Un circuit 15 A circuit est requis. Il convient de privilégier un circuit dédié, mais cela n'est pas essentiel dans tous les cas. Un circuit dédié peut être requis si, après l'installation, le disjoncteur se déclenche ou le fusible saute de manière régulière quand le réchaud est en fonctionnement. Des dispositifs additionnels dans le même circuit peuvent dépasser le taux actuel du disjoncteur.

Dimensions du produit

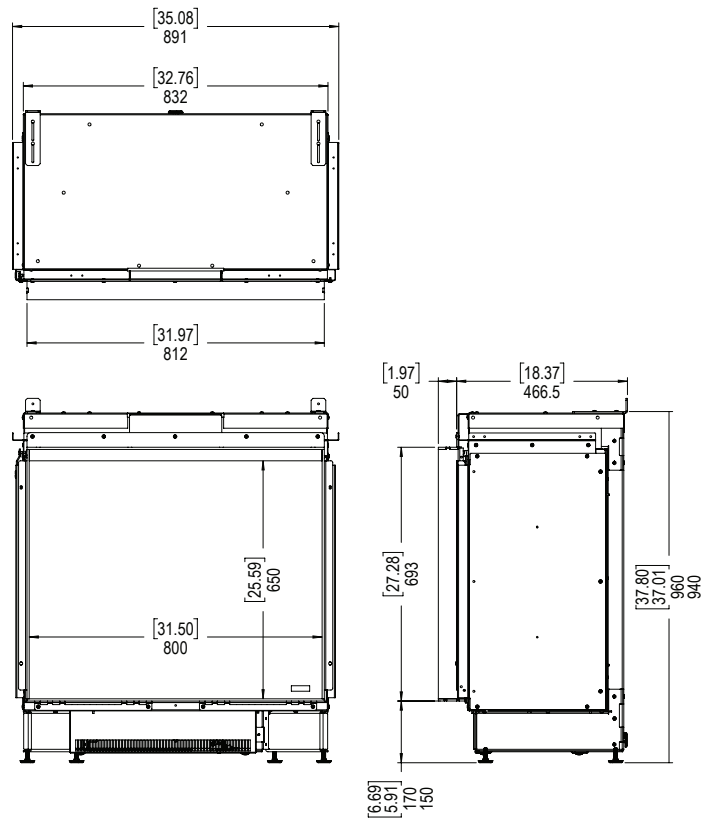
Quatre modèles sont disponibles pour la Cheminée électrique Faber e-Matrix :

- FEF3226L1
- FEF3226L2L
- FEF3226L2R
- FEF3226L3

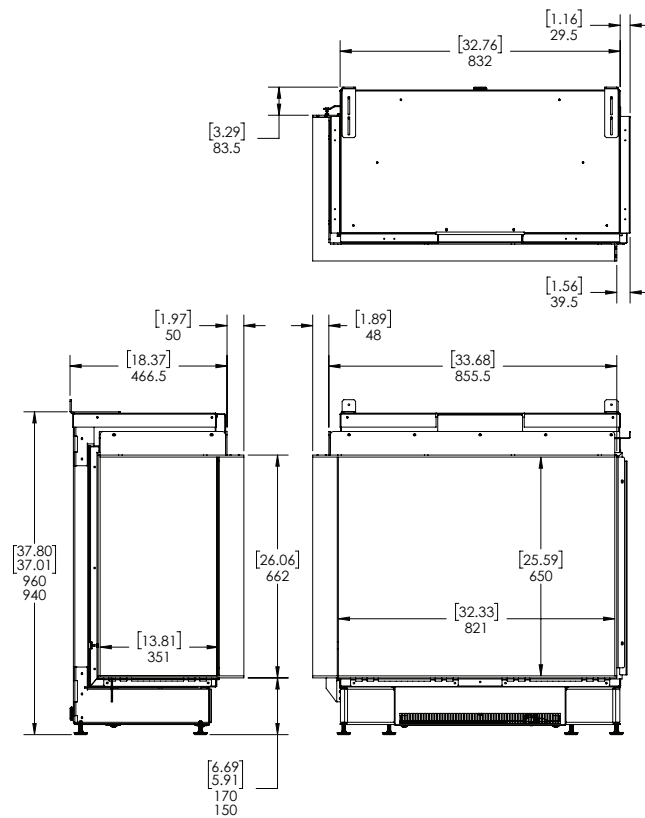
Dimensions des quatre modèles :

Spécifications

FEF3226L1

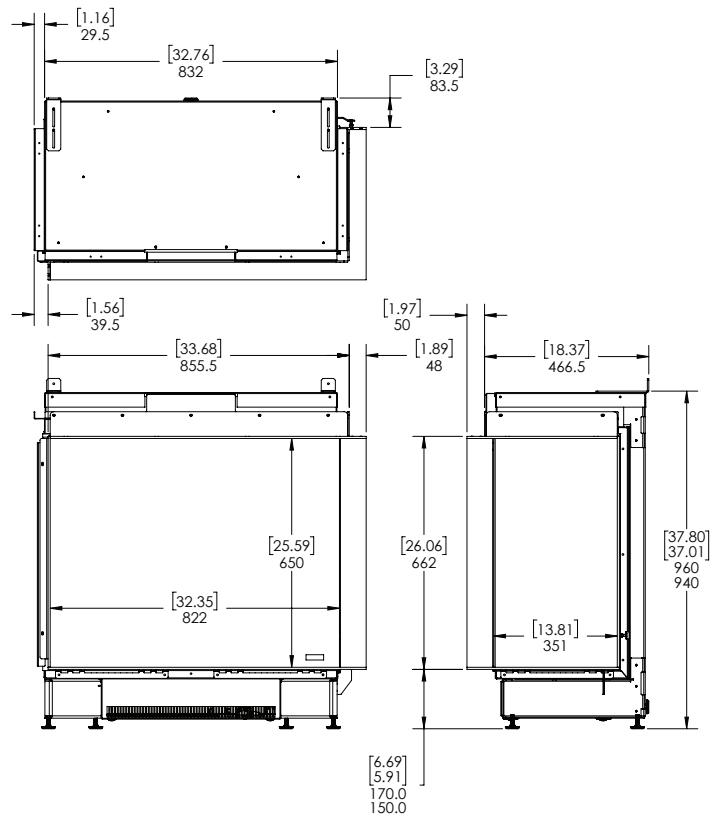


FEF3226L2L

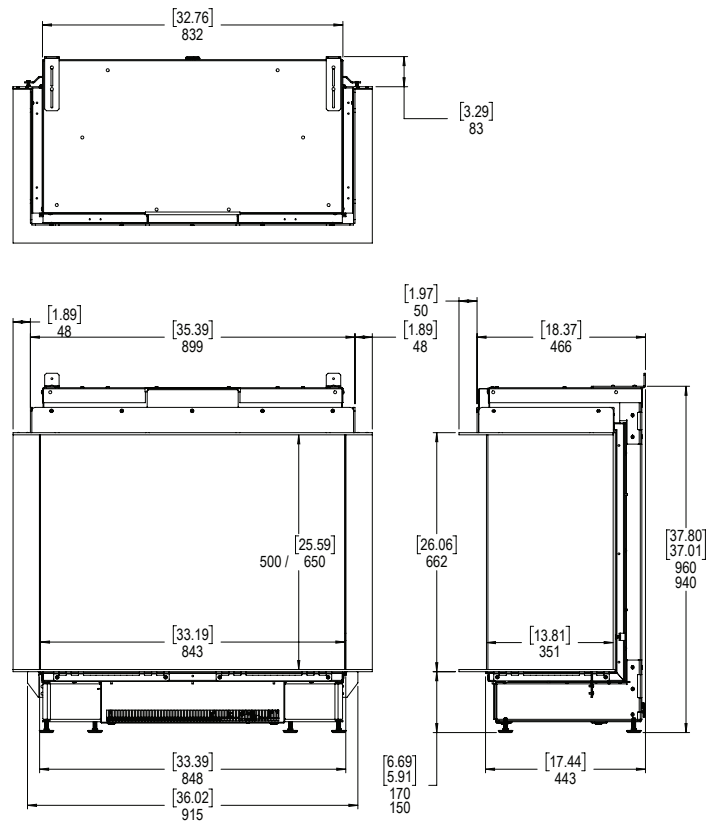


Spécifications

FEF3226L2R



FEF3226L3



Installation

Spécifications pour l'installation

Source électrique

Un circuit à terre consacré A 15 A, 120 VAC est conseillé mais n'est pas essentiel dans tous les cas. Des dispositifs additionnels dans le même circuit peuvent dépasser le courant électrique disponible.

Un circuit consacré peut être requis si, après l'installation, le disjoncteur se déclenche ou le fusible saute de manière régulière quand le réchaud est en fonctionnement.

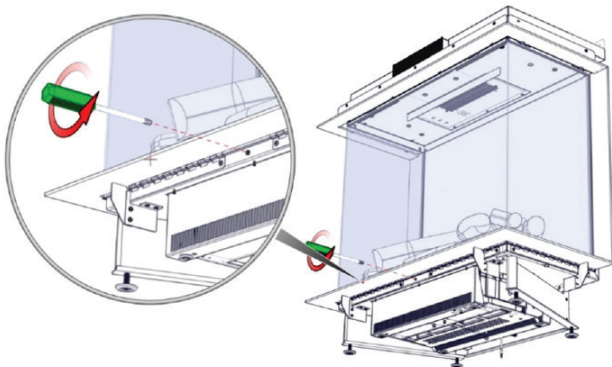
Alimentation d'eau

- Connexion d'eau ¼ po, ligne flexible en plastique ou cuivre, tuyaux en plastique ou cuivre de ½ po dans un endroit accessible pouvant être percé avec la valeur de perforation, ou raccord de tuyau de ¾ po situé dans un endroit accessible.
- Pression d'eau entre 8-110 psi Si requis, utiliser une valve réductrice de pression.

! NOTE : L'eau du robinet peut être utilisé avec l'e-Matrix si elle n'est pas de l'eau dure. Pour l'eau dure, utiliser de l'eau filtrée ou adoucie.

Déballage de la cheminée

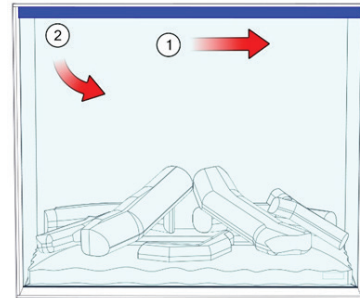
1. Enlever tout le matériel d'emballage.
2. Enlever la vis de transport sur le devant de l'unité.



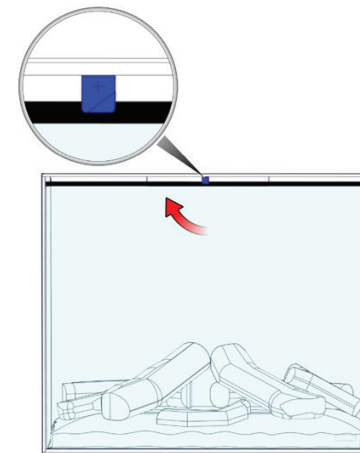
Préparer la cheminée pour l'installation

Enlever la vitre frontale (FEF322GL1)

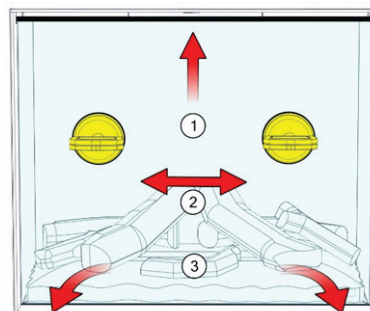
1. Enlever la bande de protection.



2. Faire tourner le serrage de la vitre en sens horaire.



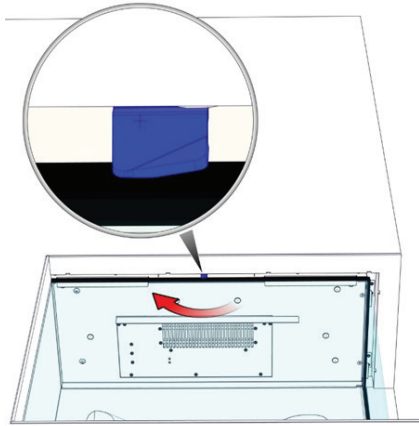
3. Placer les coupes d'aspiration et enlever la vitre frontale.



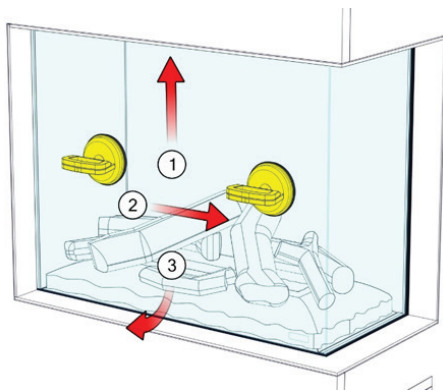
Installation

Enlever la vitre frontale (FEF3226L2L, FEF3226L2R et FEF3226L3)

1. Faire tourner le serrage de la vitre en sens horaire.



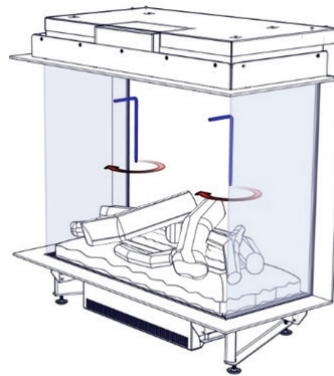
2. Placer les coupes d'aspiration et enlever la vitre frontale.



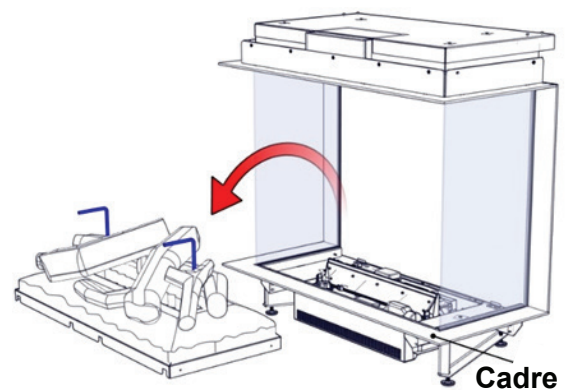
Enlever la base de carburant

⚠ PRÉCAUTION : Il ne faut pas soulever la base de carburant sans utiliser les poignées fournies.

1. Enlever la vitre frontale.
2. Couvrir le cadre pour éviter des rayures.
3. Visser les poignées dans la base de carburant.



4. Soulever la base de carburant avec précaution et débrancher la prise.
5. Placer la base de carburant dans un endroit sûr.

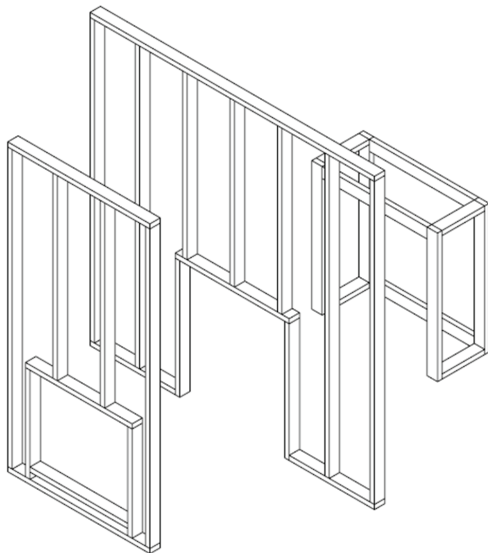


Encadrer la cheminée

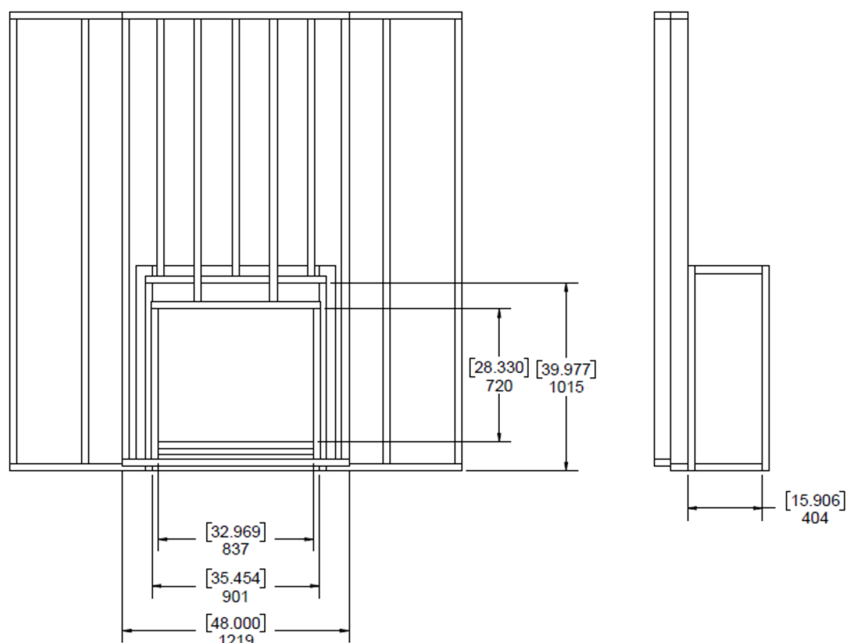
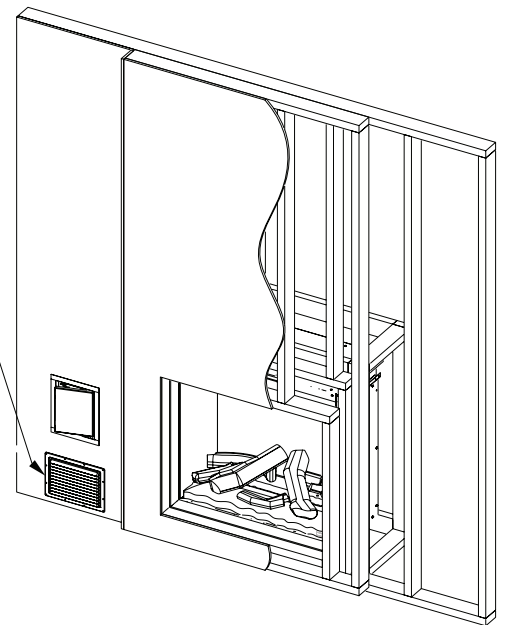
Il est suggéré de suivre les instructions suivantes comme option pour la structure d'encadrement et elles doivent être utilisées comme guide (la construction 2X4 est indiquée). Veuillez consulter la section Spécifications pour consulter les dimensions de la cheminée et créer une structure d'encadrement personnalisée.

! NOTE : L' e-MatriX a besoin d'une ventilation d'entrée minimale de 40 po² (258 cm²) en-dessous de la cheminée. L'entrée doit permettre l'air d'atteindre la partie inférieure de l'unité.

FEF3226L1 – Option d'encadrement 1

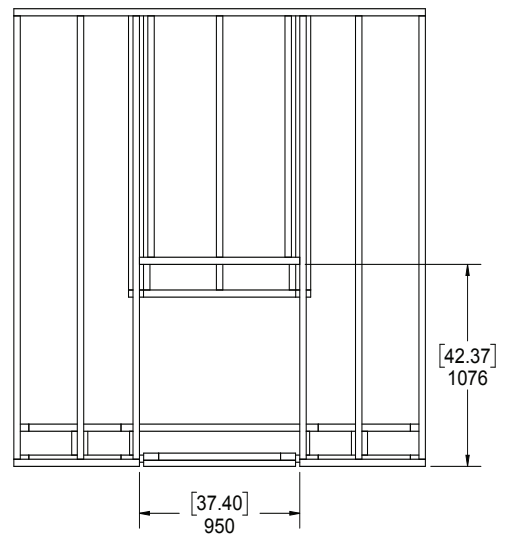
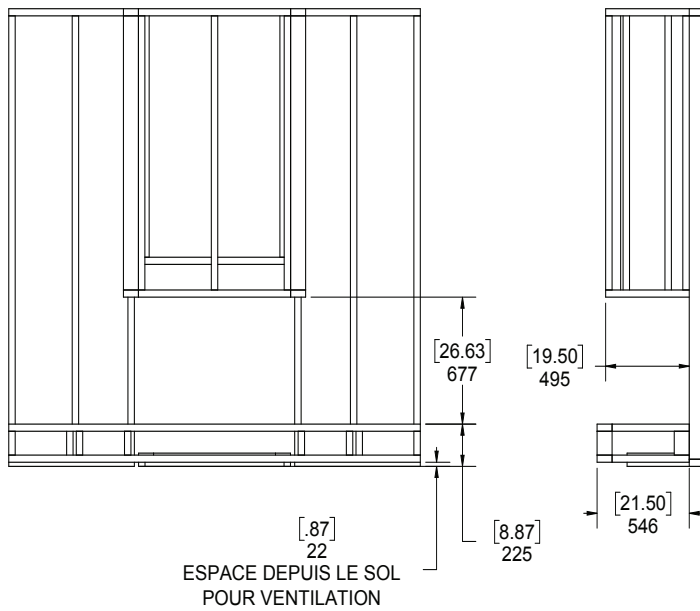
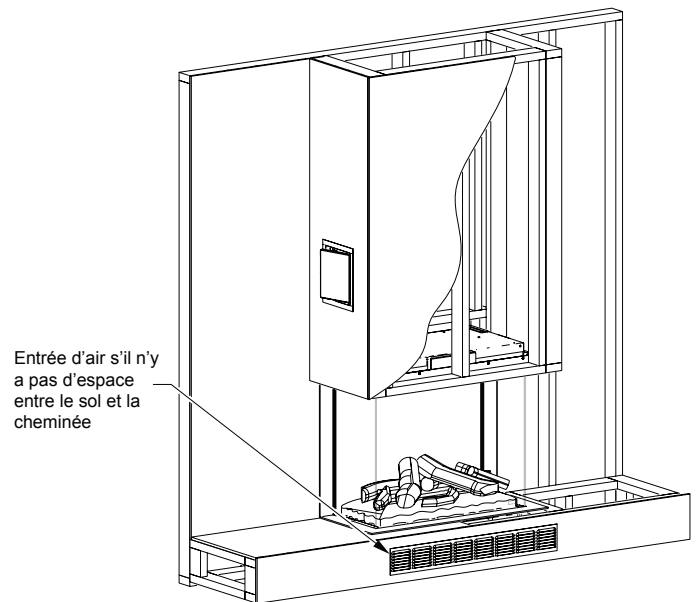
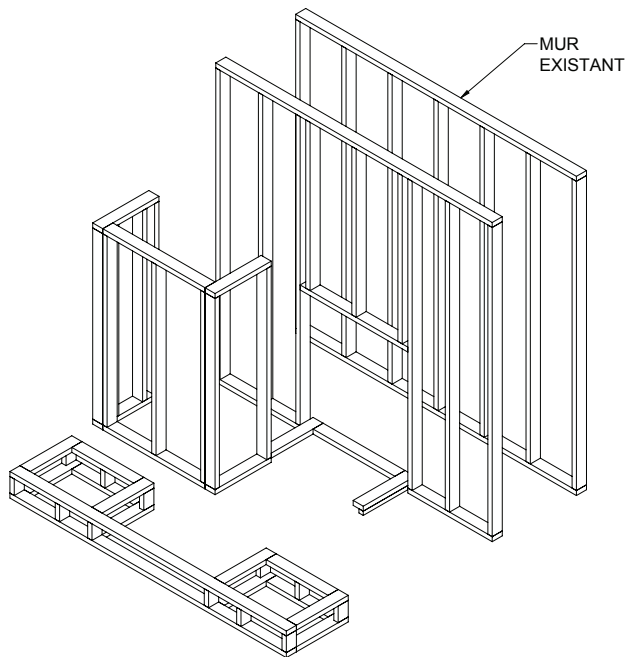


Entrée d'air
s'il n'y a pas
d'espace
entre le sol et
la cheminée

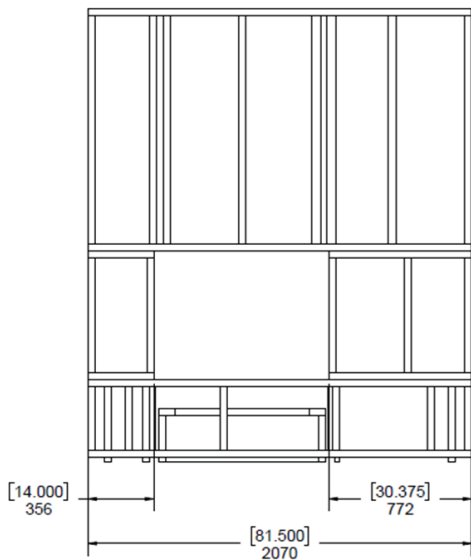
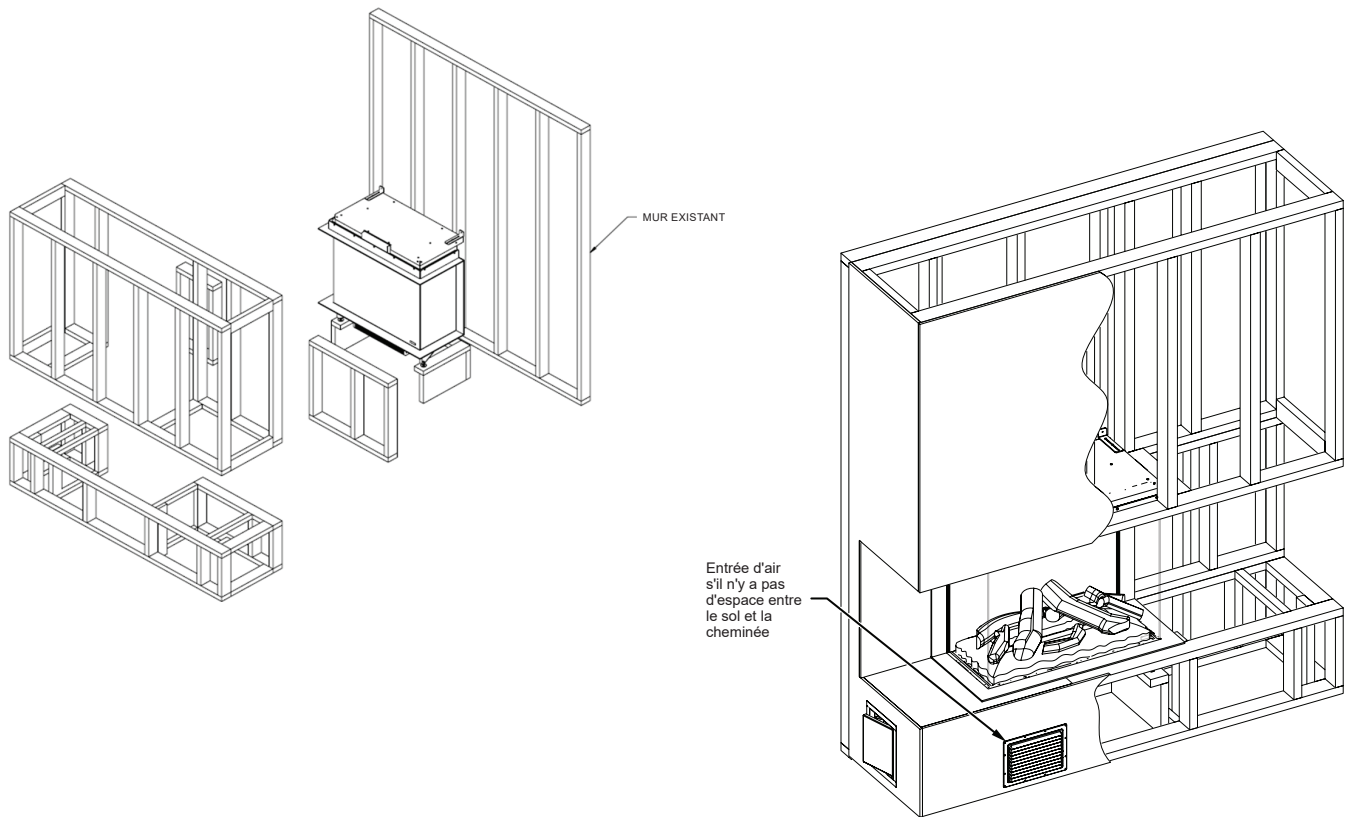


Installation

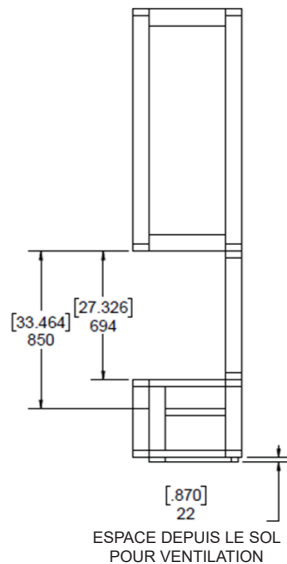
FEF3226L1 – Option d'encadrement 2



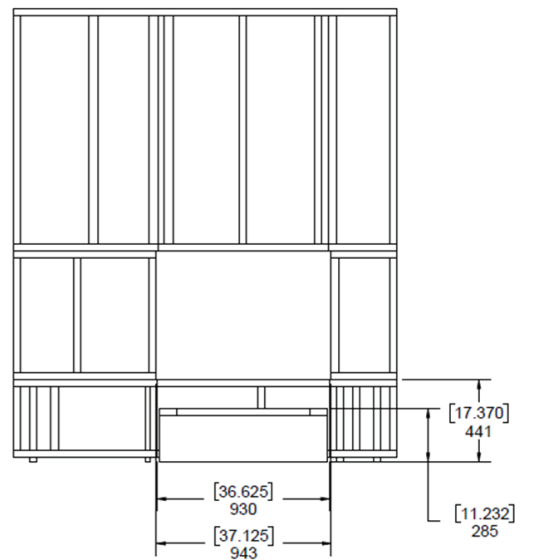
FEF3226L1 – Option d'encadrement 3



VUE FRONTALE
MUR ARRIÈRE NON INDIQUÉ



VUE LATÉRALE
MUR ARRIÈRE NON INDIQUÉ

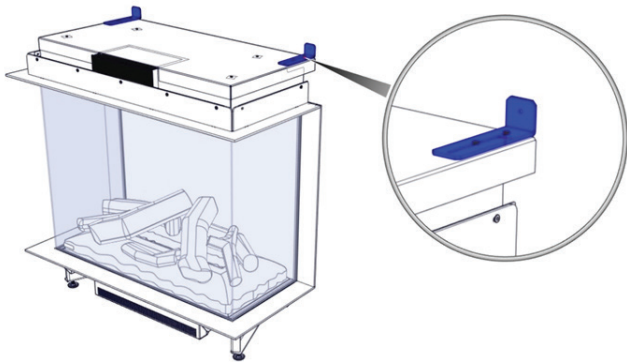


VUE ARRIÈRE
MUR ARRIÈRE NON INDIQUÉ

Installation

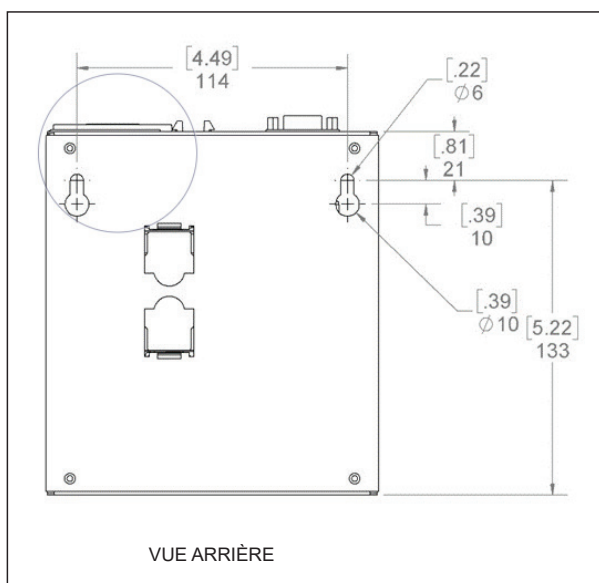
Situer la cheminée

1. Placer la cheminée dans l'ouverture. Mettre à niveau à l'aide des pieds ajustables et s'il faut régler davantage, une cale peut être utilisée.
2. Placer la cheminée dans la position adéquate et l'attacher au mur.



! NOTE : Si la cheminée est destinée à être placée dans une ouverture existante et qu'elle sera utilisée avec l'accessoire de garniture, placer la cheminée à votre convenance pour un rendu esthétique optimal. L'e-MatriX a besoin d'un minimum de 2 po (50 mm) d'espace libre au-dessus de la cheminée.

⚠ PRÉCAUTION : L'e-MatriX a besoin d'une ventilation d'entrée minimale de 40 po² (258 cm²) en-dessous de la cheminée. L'entrée doit permettre l'air d'atteindre la partie inférieure de l'unité.



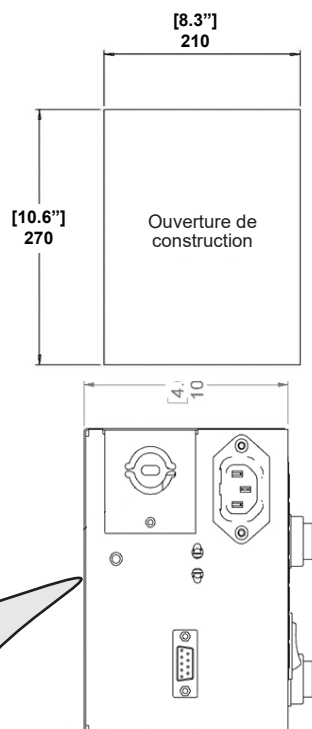
Placer la boîte de contrôle

! NOTE : La boîte de contrôle a besoin d'une ouverture de 8.3 po (210 mm) x 10.6 po (270 mm) et une profondeur minimale de 7.5 po (190 mm). L'ouverture doit avoir accès à de l'eau et aux prises.

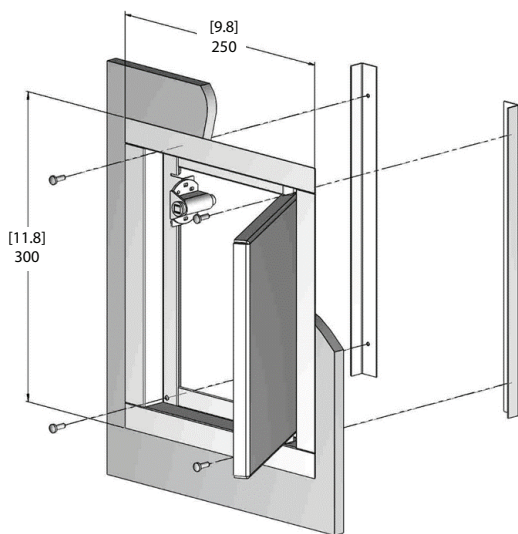
! NOTE : Depuis le centre de la cheminée, la boîte de contrôle doit être située à une distance **INFÉRIEURE** à 59 po (1.5 m) à gauche et 39 3/8 po (1.0 m) à droite de la cheminée.

Pour installer la boîte de contrôle :

1. Assembler la boîte de contrôle avec 2 vis (non incluses) dans le mur arrière de l'ouverture. Utiliser des vis adéquates au poids de la boîte de contrôle et du matériel du mur.
2. Installer la porte de la boîte de contrôle.



Installation



Connecter l'alimentation électrique

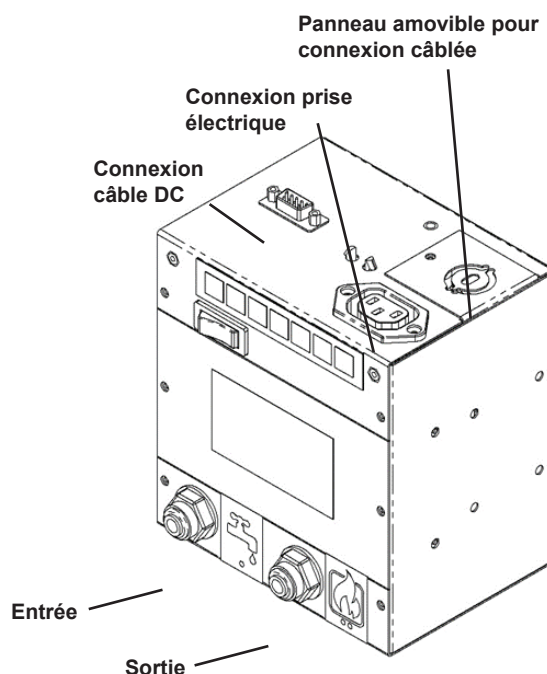
⚠ AVERTISSEMENT : Ne pas essayer de connecter vos propres circuits. Pour réduire le risque d'incendie, de choc électrique ou de blessures physiques, faire toujours appel à un électricien certifié.

⚠ AVERTISSEMENT : S'assurer que le circuit d'alimentation dans lequel la cheminée sera installée ne soit pas allumé jusqu'à terminer l'installation.

1. Utiliser un conducteur double avec un câble électrique à terre (3 câbles au total) depuis le disjoncteur jusqu'à la boîte de contrôle.
2. Assurer une longueur du câble adéquate pour que la boîte de contrôle puisse être connecté avant l'assemblage.
3. Enlever le panneau amovible de la boîte de contrôle.
4. Passer le câble d'alimentation électrique par le trou amovible et le fixer à l'aide d'un réducteur de tension de 1/2 po.
5. Connecter le câble noir depuis la boîte de contrôle jusqu'au câble sous tension (L1).
6. Connecter le câble blanc depuis la boîte de contrôle jusqu'au câble neutre (N) du câble d'alimentation électrique.
7. Connecter le câble vert depuis la boîte de contrôle jusqu'au câble à terre (G) du câble d'alimentation électrique.

8. Réinstaller le panneau amovible dans la boîte de contrôle.
9. Connecter la boîte de contrôle à la cheminée en utilisant le câble d'extension CA fourni.
10. Connecter le raccordement DC de la boîte de contrôle à la cheminée en utilisant le câble DC fourni.
11. Assembler la boîte de contrôle comme décrit dans la section précédente.

! NOTE : L'extension maximale du câble depuis le centre de la cheminée jusqu'au côté droit est de 3.3 pieds (1.0 m) et jusqu'au côté gauche est de 4.9 pieds (1.5 m).



Installation

Connecter l'alimentation d'eau

La cheminée e-MatriX est équipée avec les protections de débordement d'eau suivantes :

- Valve électromécanique dans la boîte de contrôle activé par un capteur de débordement dans le réservoir d'eau.
- Valve d'absorption activée quand le réservoir d'eau déborde.

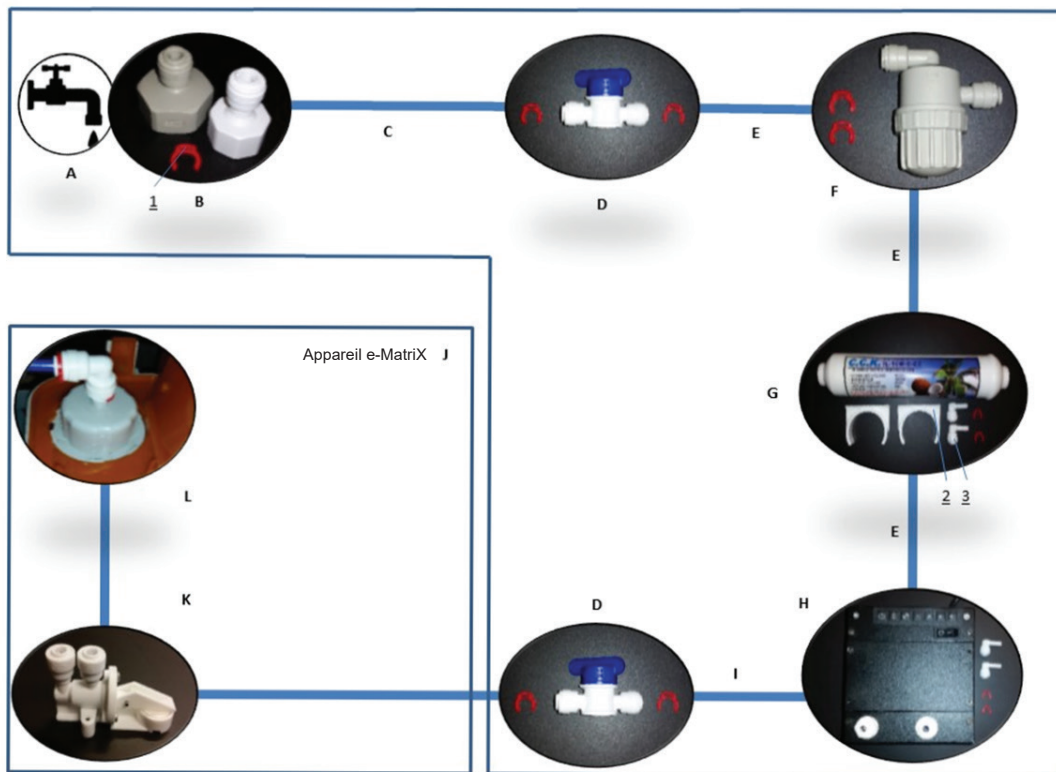
Pour connecter l'alimentation d'eau :

1. Connecter tous les composants d'alimentation d'eau selon les diagrammes ci-dessous. Toutes les parties sont fournies avec le produit.
2. Placer les filtres d'eau dans un endroit accessible bien alignés. Suivre les étiquettes de direction du flux dans les filtres et la boîte de contrôle.

! NOTE : Vérifier toutes les connexions pour assurer qu'il n'y ait pas des fuites d'eau avant de placer la base de carburant et la vitre frontale.

Vérifier la présence de fuites au niveau des connexions d'eau

1. Assurer que tous les robinets à bille sont ouverts.
2. Activer l'alimentation d'eau.
3. Appuyer sur l'interrupteur principal [⏻] dans la boîte de contrôle pour qu'il soit en position allumé.
 - Si le niveau d'eau est suffisant, les flammes démarreront automatiquement après 45 secondes.
 - Si le niveau d'eau n'est pas suffisant, les DELs clignoteront deux fois après 45 secondes. Appuyer sur l'interrupteur principal pour qu'il soit en position éteint, patienter 5 secondes et répéter l'étape précédente. (Parfois il faudra répéter cette procédure plusieurs fois).
4. Assurer que toutes les connexions d'eau soient bien serrées et qu'il n'y ait pas de fuites.



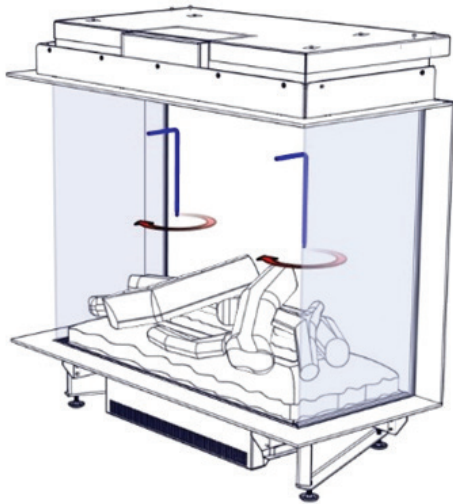
A = Alimentation d'eau	E = À couper à partir d'un tuyau de ¼ po de 1 m	I = Tuyau ¼ po de 1.5 m
B = Connecteur ½ ou ¾ po	F = Filtre à mailles	J = Appareil e-MatriX
C = Tuyau ¼ po de 1 m	G = Filtre intégré	K = Valve d'absorption. L'utilisateur ne doit pas le connecter. Référence pour service uniquement.
D = Robinet à bille	H = Boîte de contrôle	L = Bouchon de remplissage. L'utilisateur ne doit pas le connecter. Référence pour service uniquement.
1 = Clips de sécurité (11x)	2 = Attaches du filtre intégré (2x)	3 = Coudes (4x)

Installation

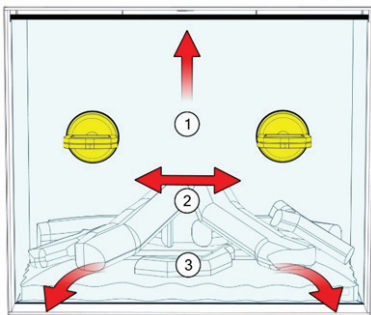
Placer la base de carburant

⚠ PRÉCAUTION : Il ne faut pas soulever la base de carburant sans utiliser les poignées fournies.

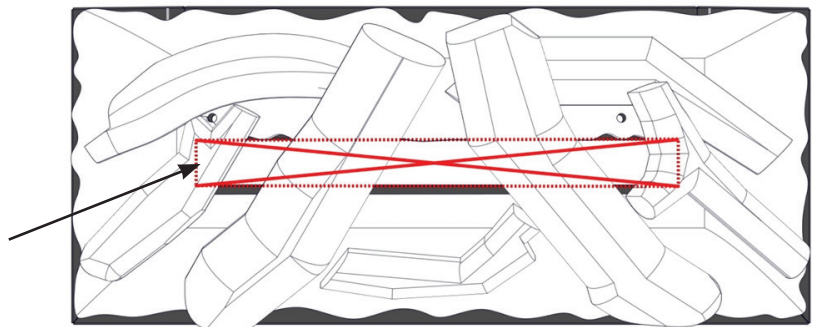
1. Lever la base de carburant avec précaution à l'aide des poignées.
2. Connecter la prise électrique et placer la base de carburant.
3. Dévisser les poignées dans la base de carburant et les conserver pour utilisation ultérieure.



4. Placer les coupes d'absorption et remplacer la vitre frontale.

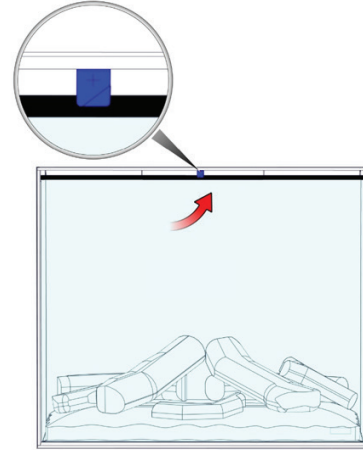


Ne pas placer de matériel décoratif au centre.



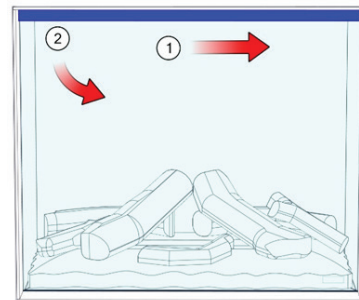
Vitre frontale uniquement

Faire tourner le serrage en sens anti-horaire pour fixer la position de la vitre.



Vitre à 2 ou 3 côtés

Faire tourner le serrage de la vitre en sens anti-horaire pour fixer la position de la vitre.



Placer le matériel décoratif

Les cendres et copeaux artificiels fournis peuvent être utilisés pour personnaliser votre feu !

⚠ PRÉCAUTION : Garder le matériel de décoration hors de portée des enfants, des personnes handicapées et des animaux.

Utilisation

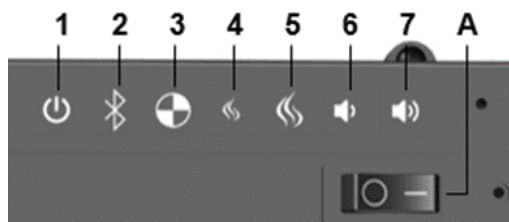
- ⚠ AVERTISSEMENT** : La cheminée e-Matrix doit être adéquatement installée avant de l'utiliser.
- ⚠ PRÉCAUTION** : Tout l'entretien, sauf l'installation et le nettoyage décrits dans ce manuel, doit être effectué par un représentant du service.

Premier remplissage d'eau

1. Assurer que tous les robinets à bille sont ouverts.
2. Activer l'alimentation d'eau
3. Appuyer sur la touche principale [⏻] dans la boîte de contrôle pour qu'elle soit en mode allumé.
 - Si le niveau d'eau est suffisant, les flammes démarreront automatiquement après 45 sec.
 - Si le niveau d'eau n'est pas suffisant, les DELs clignoteront deux fois après 45 secondes. Appuyer sur l'interrupteur principal pour qu'il soit en position éteint, patienter 5 secondes et répéter l'étape précédente. (Parfois il faudra répéter cette procédure plusieurs fois).

Panneau de commandes manuelles

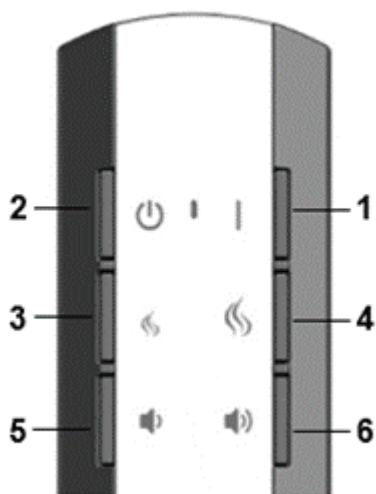
Les commandes manuelles de la cheminée e-Matrix sont situées sur le devant de la boîte de contrôle (située derrière la porte d'accès après l'installation). Toucher une icône pour activer.



	Icône	Description
A		Interrupteur principal : Bascule entre allumé/éteint (I/O). (Vous entendrez le son d'un bip)
1		Appuyer pour activer (vous entendrez le son d'un bip) Appuyer de nouveau pour désactiver.
2		Appuyer pour activer le couplage à distance. La cheminée commencera à faire des bips et les DELs clignoteront. Pour coupler la télécommande, appuyer sur n'importe quelle de ses touches. Le couplage sera fini quand la cheminée soit éteinte.
3		Entretien : L'entretien doit être effectué par un technicien.
4		Appuyer plusieurs fois pour réduire la hauteur de la flamme.
5		Appuyer plusieurs fois pour augmenter la hauteur de la flamme.
6		Appuyer plusieurs fois pour réduire le son du crépitement.
7		Appuyer plusieurs fois pour augmenter le son du crépitement.

Télécommande

Une télécommande à fonctions multiples est incluse. La télécommande a une portée maximale de 30 pieds (9 m).



	Icône	Description
1		Interrupteur principal : Bascule entre allumé/éteint (I/O). (Vous entendrez le son d'un bip)
2		Appuyer pour activer. (Vous entendrez le son d'un bip) Appuyer de nouveau pour désactiver.
3		Appuyer plusieurs fois pour réduire la hauteur de la flamme.
4		Appuyer plusieurs fois pour augmenter la hauteur de la flamme.
5		Appuyer plusieurs fois pour réduire le son du crépitement.
6		Appuyer plusieurs fois pour augmenter le son du crépitement.

Initialisation de la télécommande

Connecter la télécommande à la boîte de contrôle et utiliser la télécommande pour allumer ou éteindre la cheminée, ajuster la hauteur de la flamme et ajuster le volume du son du crépitement.

Pour coupler (connecter) la télécommande et la boîte de contrôle :

1. Activer l'interrupteur principal dans la boîte de contrôle et assurer qu'il soit allumé. (La boîte de contrôle fait un bip)
2. Appuyer sur la touche principale [] dans la boîte de contrôle pour démarrer le feu. (La boîte de contrôle fait un bip)
3. Appuyer sur la touche de couplage [] dans la boîte de contrôle pour démarrer le feu. (La boîte de contrôle fait un bip et les DELs clignotent)
4. Appuyer sur la touche principale [] dans la télécommande pour éteindre la cheminée.

Quand la télécommande est couplée, vérifier si toutes les fonctions de la télécommande sont disponibles depuis la distance souhaitée.

5. Au besoin, placer le récepteur dans une autre position à l'intérieur ou à l'extérieur de la construction.

! NOTE : Le récepteur est placé à l'intérieur de la cheminée. Le récepteur a une longueur de câble de 4.4 pieds (1.4 m).



Remplacement de la batterie

Pour remplacer la batterie :

1. Dévisser la vis à l'arrière de la télécommande et faire glisser le couvercle de la batterie en position ouverte.
2. Insérer deux batteries 1.5V AA.
3. Fermer le couvercle de la batterie et serrer la vis.



La batterie doit être recyclée ou éliminée de manière adéquate. Consulter votre Autorité locale ou votre vendeur pour connaître les méthodes de recyclage disponibles dans votre région.

Obtenir l'effet de flamme souhaité

! NOTE : La cheminée démarre toujours avec un niveau de flamme [🔥] minimum.

1. Appuyer sur le bouton Augmenter la flamme [🔥] pour augmenter la flamme ou sur le bouton Réduire les flammes [🔥] pour les réduire. Patienter jusqu'à ce que le générateur de flamme puisse réagir.

! NOTE : Augmenter les flammes peut produire condensation dans la vitre.

2. Appuyer sur le bouton Augmenter le son [🔊] pour augmenter le son du crépitement ou le bouton Diminuer le son [🔊] pour le diminuer. Au réglage le plus bas, le son est éteint.

Quand la cheminée est rallumée après avoir été éteinte ou en mode veille, le réglage de la flamme se remettra au niveau le plus bas. Le niveau du son restera le même que le dernier niveau réglé.

Chronogramme d'entretien

L'intervalle d'entretien dépend de la qualité de l'eau ou des heures d'activité il peut alors différer des recommandations suivantes.

- Nettoyer le réservoir d'eau et le filtre d'air et remplacer les transducteurs tous les 3 mois en cas d'utilisation commerciale ou tous les 12 mois en cas d'utilisation résidentielle.
- Nettoyer le filtre à mailles tous les 3 mois et remplacer le filtre intégré tous les 12 mois en cas d'utilisation commerciale ou tous les 24 mois en cas d'utilisation résidentielle.

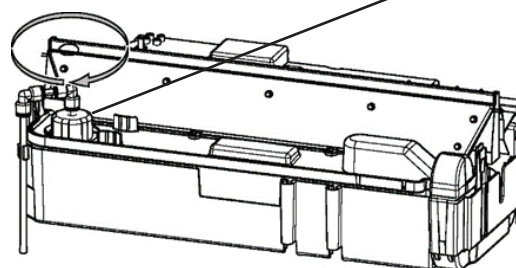
Nettoyer le réservoir d'eau

⚠ AVERTISSEMENT : Régler toujours l'interrupteur en mode éteint et débrancher l'alimentation électrique avant de nettoyer le réservoir d'eau.

⚠ PRÉCAUTION : Ne pas utiliser des nettoyants abrasifs.

Pour nettoyer le réservoir d'eau :

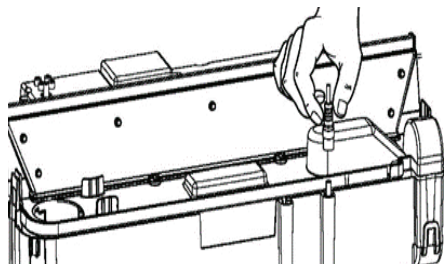
1. Enlever la vitre frontale (lire les instructions dans la section *Préparer la cheminée pour l'installation* à la page 8).
2. Enlever la base de carburant (lire les instructions dans la section *Préparer la cheminée pour l'installation* à la page 8).
3. Retirer le bouchon de remplissage (tourner le bouchon en sens horaire).



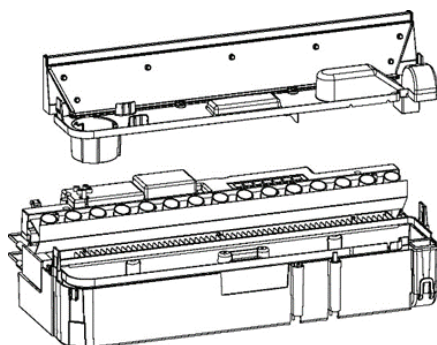
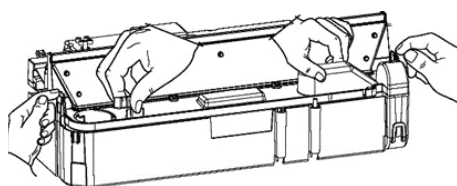


Entretien

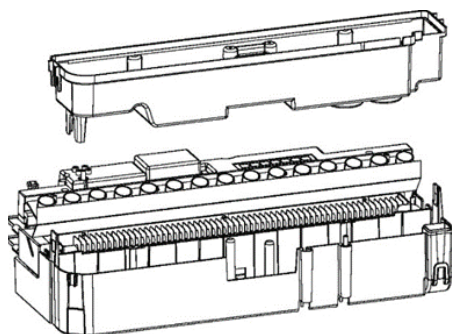
4. Débrancher les deux connecteurs situés à droite du réservoir d'eau.



5. Libérer les deux clips dans les deux côtés et enlever l'embout.



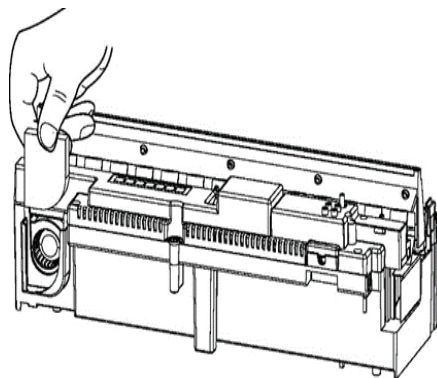
6. Lever délicatement le réservoir d'eau sans renverser d'eau.



7. Enlever les transducteurs et vider le réservoir d'eau.
8. Nettoyer et rincer le réservoir et les transducteurs :
 - Verser un peu de détergent dans le réservoir.
 - Utiliser une brosse douce pour le nettoyer.
 - Nettoyer les transducteurs, dont les disques sous le cône. Enlever le cône en le tournant en sens horaire.
 - Rincer bien le réservoir d'eau avec de l'eau pour enlever toute trace de détergent.
9. Nettoyer l'embout avec une brosse douce et laver avec de l'eau.
10. Répéter les étapes à l'inverse pour ré-assembler.

Nettoyer le filtre d'air

1. Faire glisser délicatement le filtre d'air vers le haut pour le retirer de son support plastique.



2. Nettoyer le filtre délicatement avec de l'eau et sécher avec une serviette avant de le remplacer.
3. Remplacer le filtre en vérifiant que le côté noir fait face à la flamme.
4. Placer la base de carburant et la vitre frontale (lire les instructions dans la section *Préparer la cheminée pour l'installation*).



Entretien

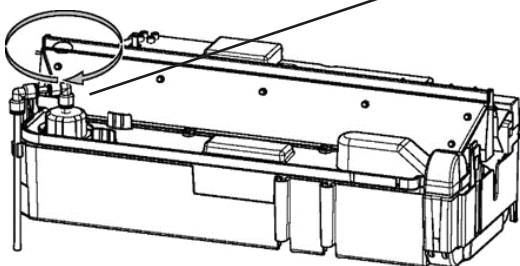
Remplacer les transducteurs

⚠ AVERTISSEMENT : Assurer que l'interrupteur Principal soit éteint et débrancher l'alimentation électrique avant de nettoyer le réservoir d'eau.

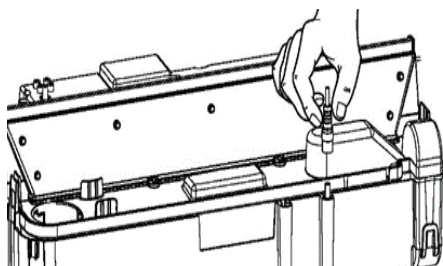
! NOTE : Les transducteurs sont fixés au réservoir d'eau avec des attaches en plastique.

Pour remplacer les transducteurs :

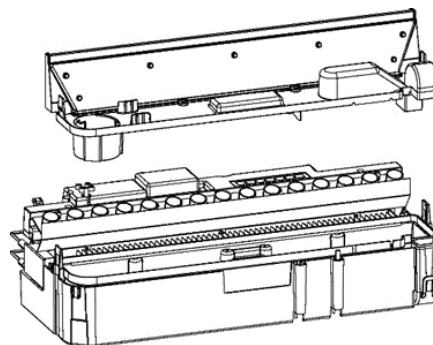
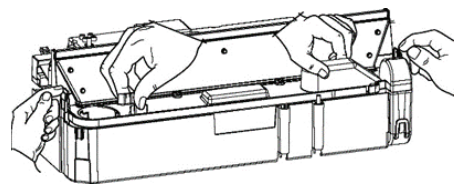
1. Enlever la vitre frontale et la base de carburant (voir les instructions dans la section *Préparer la cheminée pour l'installation* à la page 8).
2. Retirer le bouchon de remplissage (tourner en sens horaire).



3. Débrancher les deux connecteurs situés à droite du réservoir d'eau.



4. Libérer les deux clips sur chaque côté et enlever l'embout.



5. Fixer de nouveau le clip et lever le transducteur pour l'enlever de son support.
6. Placer les nouveaux transducteurs.
7. Répéter les étapes à l'inverse pour ré-assembler.

Nettoyer le filtre à mailles

1. Arrêter l'alimentation d'eau.
2. Fermer les robinets à bille.
3. Dévisser la base et nettoyer le filtre à l'intérieur.

Remplacer le filtre intégré

1. Arrêter l'alimentation d'eau.
2. Fermer les robinets à bille.
3. Remplacer le filtre intégré.

! NOTE : Assurer de placer le filtre bien aligné. Le faire coïncider avec l'étiquette de direction du flux dans le filtre.



Réinitialiser la valve d'absorption

La valve d'absorption est située à droite dans la partie inférieure de la cheminée.



Pour la réinitialiser :

1. Enlever la pilule d'absorption activée.
2. Corriger la cause de la fuite d'eau.
3. Enlever l'eau dans la partie inférieure du réservoir d'eau.
4. Placer une nouvelle pilule.
5. Appuyer sur l'attache blanche pour ouvrir la valve d'absorption.



Dépannage

Symptôme	Cause	Action
L'effet flamme ne démarre pas.	Les transducteurs ne sont pas correctement branchés.	Assurer que les connecteurs sont bien insérés.
e-MatriX ne démarre pas ou ne fonctionne plus et les DELs clignotent deux fois en permanence.	Niveau d'eau bas.	Vérifier que les robinets à bille soient ouverts. Voir <i>Vérifier la présence de fuites</i> à la page 15
	La valve d'absorption est active	Voir <i>Vérifier la présence de fuites</i> à la page 15 Voir <i>Réinitialiser la valve d'absorption</i> à la page 22
e-MatriX ne fonctionne pas, les DELs clignotent en permanence une fois tous les huit secondes.	Niveau d'eau trop haut.	Enlever l'eau du réservoir pour que l'eau soit entre les marques d'eau Haut et Bas Vérifier la valve électromécanique dans la boîte de Contrôle.
e-MatriX ne fonctionne pas, les DELs clignotent en permanence quatre fois.	Le temps de remplissage d'eau est trop long.	Placer l'interrupteur principal de la boîte de Contrôle en position éteinte. Attendre 60 secondes avant de rallumer. Voir <i>Vérifier la présence de fuites</i> à la page 15 Fermer les robinets à bille. Dévisser la base du filtre à mailles et enlever la poussière ou les débris
L'effet de flamme est trop bas, même lorsqu'il est au réglage maximum	Les transducteurs ou le filtre d'air ne sont pas propres.	Voir <i>Remplacer les transducteurs</i> à la page 20 et <i>Nettoyer le filtre d'air</i> à la page 21
	Il n'y a pas suffisamment ventilation sous la cheminée	Voir <i>Encadrement de la cheminée</i> à la page 10
L'effet flamme est trop haut et il y a trop de fumée.	Le filtre d'air est absent	Voir <i>Nettoyer le filtre d'air</i> à la page 20
La télécommande ne fonctionne pas.	Batterie faible.	Remplacer les batteries.
	La télécommande n'est pas connectée avec le récepteur.	Voir <i>Initialisation de la télécommande</i> à la page 18
	La télécommande est trop loin du récepteur.	Voir <i>Télécommande</i> à la page 18

Diagramme du câblage de la cheminée

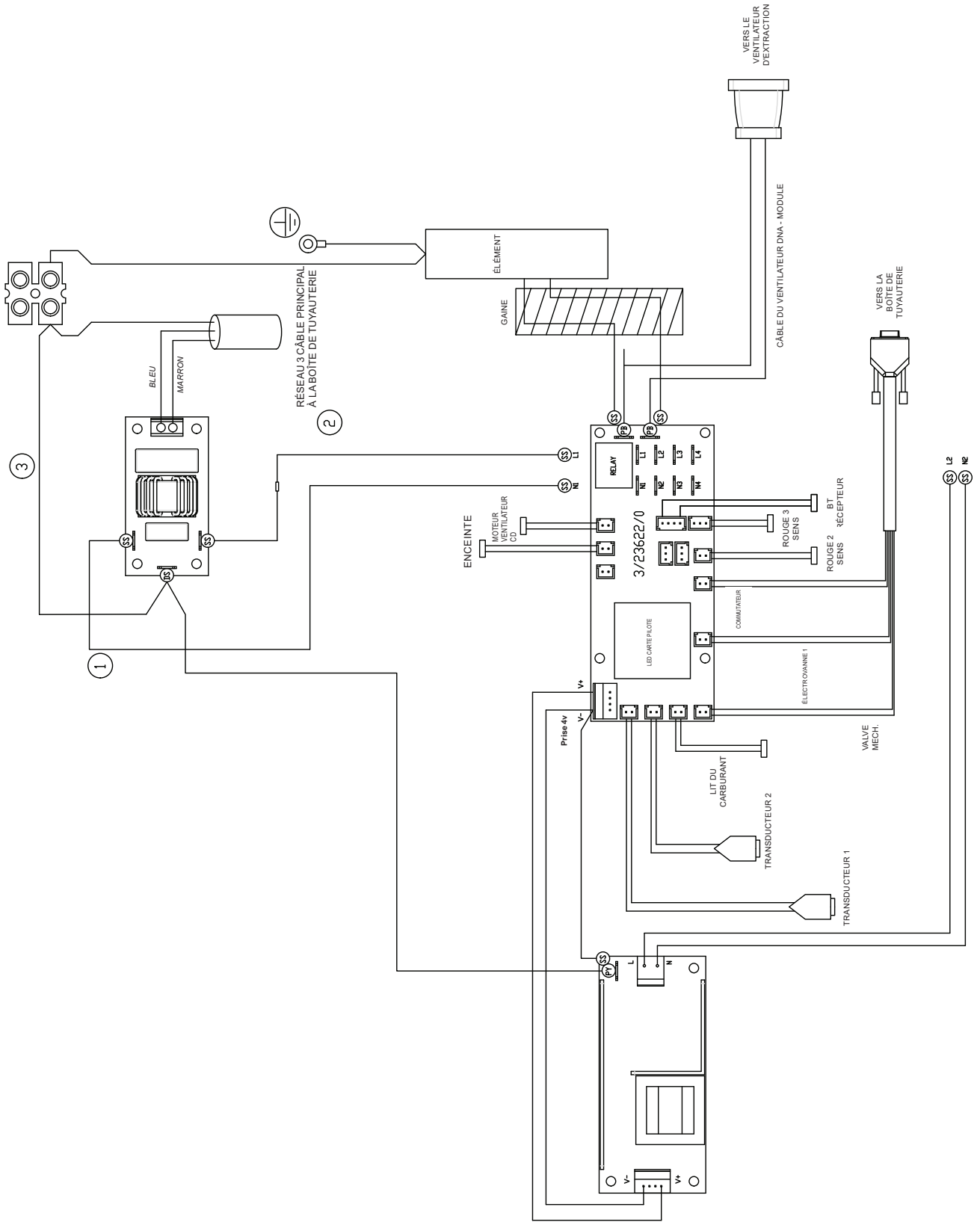


Diagramme du câblage de la boîte de contrôle

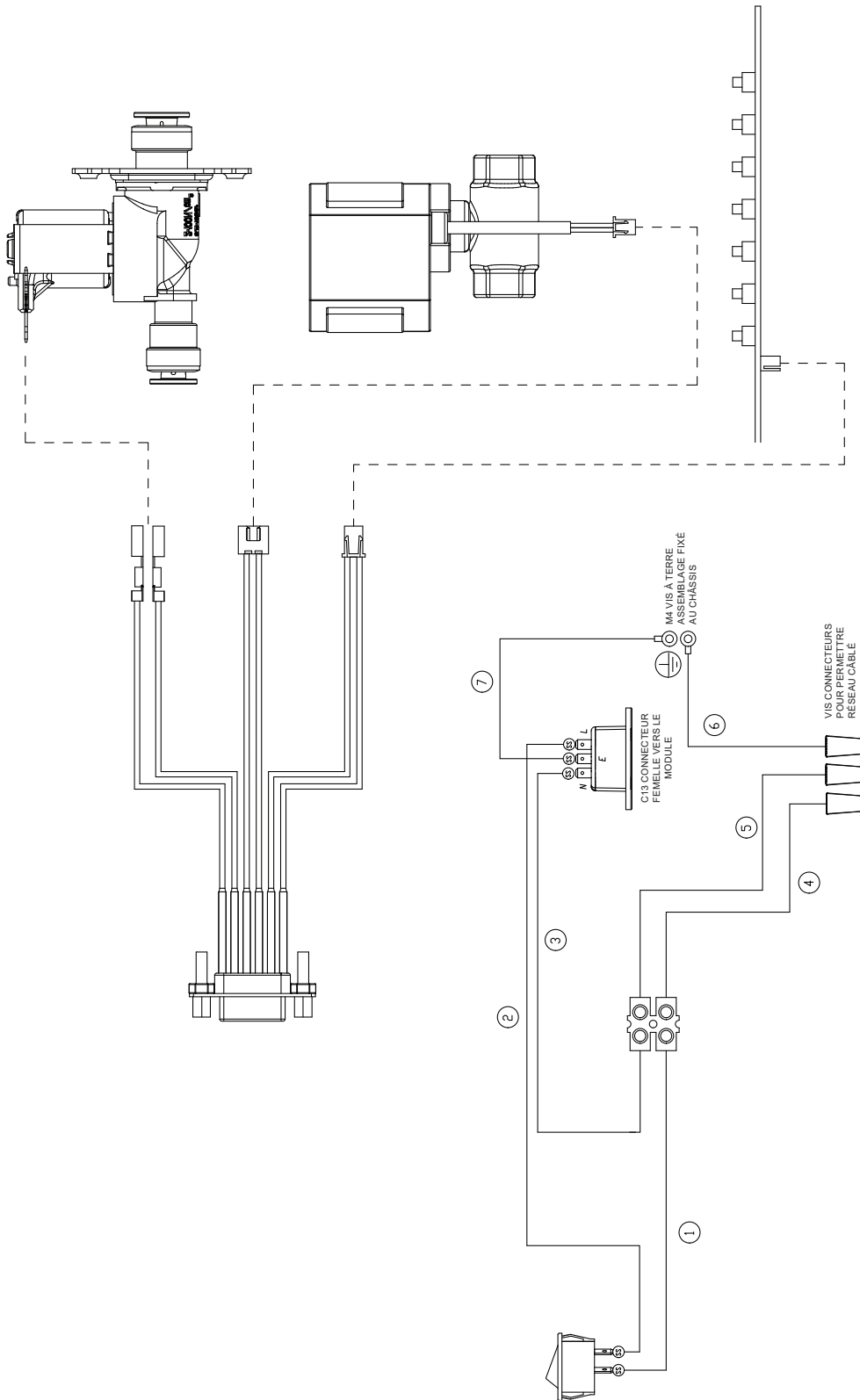
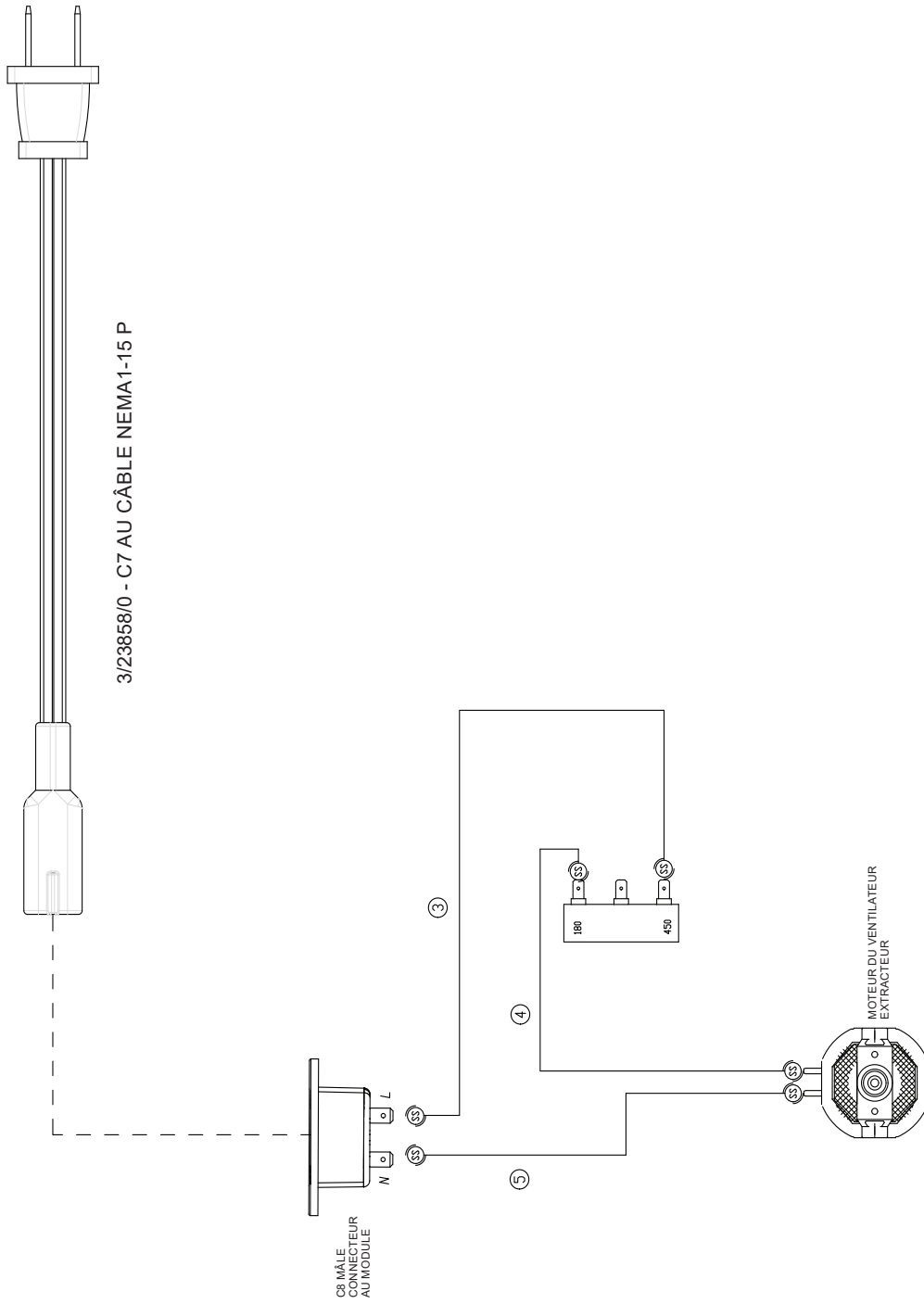


Diagramme de câblage du ventilateur



Garantie limitée à cinq ans

Produits pour lesquels cette garantie limitée est valide

Cette garantie limitée est valide pour votre nouvelle cheminée e-MatriX Faber. Cette garantie n'est valide que pour les achats faits dans toute province du Canada sauf le territoire du Yukon, du Nunavut ou les territoires du nord ou dans les 50 états des États-Unis (et le District de Columbia), à l'exception de Hawaï et de l'Alaska. Cette garantie limitée est valide pour l'acheteur original du produit et peut être transférée aux propriétaires suivants. Cette garantie doit être conservée avec la cheminée e-MatriX Faber pour que les propriétaires suivants puissent avoir accès à cette information. L'information ci-dessous doit être fournie avec la preuve d'achat si des services liés à la garantie s'avèrent nécessaires.

Nom du propriétaire :

- Adresse :
- (Numéro/Rue/Ville/État/Code postal de la prov./Zip)
- Numéro de modèle :
- Numéro de série :
- Date d'achat :
- Lieu d'achat :

Produits exclus de cette garantie limitée

La garantie de la cheminée est valide uniquement pour le transport jusqu'à l'utilisateur final et elle ne couvre pas les dommages pouvant survenir pendant le fonctionnement ou l'entretien régulier. Les produits achetés dans le territoire du Yukon, du Nunavut, dans les territoires du nord, à Hawaï et en Alaska ne sont pas couverts par cette garantie limitée. Les produits achetés dans ces États, Provinces ou Territoires sont vendus « tel quel » sans garantie ou condition d'aucune sorte (dont, sans restriction, toute garantie implicite ou toute condition de commercialisation ou adéquation pour un usage particulier) et tout risque lié à la qualité et au rendement du produit est sous la responsabilité de l'acheteur. Si un défaut est détecté, l'acheteur assume tout le coût de tout l'entretien ou de toutes les réparations nécessaires.

Ce qui est couvert par cette garantie et pendant combien de temps

Les produits couverts par cette garantie limitée ont été évalués et contrôlés avant la livraison. Soumis aux dispositions de cette garantie, Glen Dimplex Americas garantit que ces produits ne présentent pas de défauts au niveau du matériel et de la fabrication pendant une période de 5 ans depuis la date du premier achat dudit produit. La garantie est valide pour :

- (a) réparation ou remplacement de produits ou de parties, dont services domiciliaires, pour la première année après la date du premier achat

- (b) après cette date, un remplacement de produits et de parties (sans services domiciliaires) pour la période d'un an à partir du premier anniversaire du premier achat jusqu'au deuxième anniversaire de la date du premier achat

- (c) à partir de cette date, une réparation ou remplacement d'une vitre défectueuse et du châssis de la cheminée en cas de perforation visible (sans service domiciliaire) pour une période de 3 ans à partir du deuxième anniversaire de la date du premier achat et jusqu'à la fin du cinquième anniversaire de la date du premier achat.

La période de garantie limitée de 5 ans pour les produits est également valide pour toute garantie implicite pouvant exister en conformité avec la loi en vigueur. Certaines juridictions n'acceptent pas des limitations par rapport à la durée de la garantie, ceci dit, la limitation sous-mentionnée ne s'applique pas à l'acheteur.

Ce que cette garantie limitée ne couvre pas

Cette garantie limitée ne couvre pas les produits qui ont été réparés (sauf par Glen Dimplex Americas ou ses représentants de service autorisés) ou modifiés. Cette garantie limitée n'est pas valide pour des défauts résultant du mauvais usage, abus, accident, négligence, mauvaise installation, entretien ou manipulation inadéquats ou utilisation avec une source d'alimentation incorrecte.

Ce qu'il faut faire pour obtenir le service couvert par cette garantie limitée

Les défauts doivent être informés au Soutien Technique de Glen Dimplex Americas en contactant Glen Dimplex Americas au 1-888-346-7539, ou en ligne sur le site www.fabervfire.com/customer-support. Veuillez avoir avec vous la preuve d'achat, le numéro de modèle/catalogue et de série au moment de l'appel. La preuve d'achat du produit est nécessaire pour le service de cette garantie limitée.

Ce que Glen Dimplex Americas fera en cas d'un défaut

Si un produit ou partie couvert par cette garantie limitée est défectueux au niveau du matériel ou de la fabrication pendant la période de garantie limitée de 5 ans, vous jouissez des droits suivants :

- Glen Dimplex Americas, à sa discrétion, réparera ou remplacera ce produit ou partie défectueux sans coût. Si Glen Dimplex Americas ne peut pas réparer ou remplacer ce produit en totalité ou en partie, ou si la réparation ou le remplacement ne sont pas commercialement possibles ou ne peuvent pas être effectués selon des délais raisonnables, Glen Dimplex Americas peut, au lieu de réparer ou remplacer, rembourser le prix d'achat du produit en totalité ou en partie.
- Le service de cette garantie limitée sera effectué uniquement par des vendeurs ou agents de service de Glen Dimplex Americas autorisés pour fournir des services liés à la garantie limitée.

Garantie

- Pour la période qui finit à minuit le premier anniversaire de la date du premier achat, Glen Dimplex Americas peut, à sa discrétion, réparer ou remplacer le produit ou partie défectueux sans coût. Si Glen Dimplex Americas ne peut pas réparer ou remplacer ce produit en totalité ou en partie, ou si la réparation ou le remplacement ne sont pas commercialement possibles ou ne peuvent pas être effectués selon des délais raisonnables, Glen Dimplex Americas peut, au lieu de réparer ou remplacer, rembourser le prix d'achat du produit en totalité ou en partie. Cette garantie limitée autorise l'acheteur à accéder aux services à domicile ou sur place. Par conséquent, Glen Dimplex Americas sera responsable de tout travail ou coût de transport lié à la réparation ou au remplacement du produit ou de la partie avec les exceptions suivantes : (i) des frais peuvent être perçus pour les coûts de transport jusqu'à l'endroit où le produit est situé avec l'acheteur si cet endroit est à plus de 48 km (30 milles) du dépôt de service plus proche d'un vendeur ou agent de service de Glen Dimplex Americas; et (ii) l'acheteur est responsable de faciliter l'accès à toutes les parties utilisables du produit.
- Pour la période qui commence à 12h01 a.m. le lendemain du premier anniversaire du premier achat et jusqu'à minuit du deuxième anniversaire de la date du premier achat, cette garantie limitée autorise l'acheteur à accéder uniquement aux parties de remplacement sans coût. Si Glen Dimplex Americas ne peut pas remplacer cette partie, ou si le remplacement n'est pas commercialement possible ou ne peut pas être effectué dans des délais raisonnables, Glen Dimplex Americas peut, au lieu de remplacer, rembourser le prix d'achat de cette partie. L'acheteur ne pourra pas accéder aux services domiciliaires ou sur place de cette garantie. L'acheteur est responsable de tous les dégâts encourus pour le retrait de la partie et l'installation de la partie de remplacement, dont, sans limitations, tous les coûts de livraison et de transport vers et depuis l'endroit de travail du vendeur ou agent de service autorisé et tous les coûts des travaux liés. Ces coûts ne sont pas couverts par Glen Dimplex Americas.
- Pour la période qui commence à 12:01 a.m. le lendemain du deuxième anniversaire du premier achat et jusqu'à minuit du cinquième anniversaire de la date du premier achat, cette garantie limitée autorise l'acheteur à accéder uniquement aux parties de remplacement de la vitre et du châssis de la cheminée sans coût. Si Glen Dimplex Americas ne peut pas remplacer cette partie, ou si le remplacement n'est pas commercialement possible ou ne peut pas être effectué dans des délais raisonnables, Glen Dimplex Americas peut, au lieu de remplacer, rembourser le prix d'achat de cette partie. L'acheteur ne pourra pas accéder aux services domiciliaires ou sur place de cette garantie. L'acheteur est responsable de tous les dégâts encourus pour le retrait de la partie et l'installation de la partie de remplacement, dont,

sans limitations, tous les coûts de livraison et de transport vers et depuis l'endroit de travail du vendeur ou agent de service autorisé et tous les coûts des travaux liés. Ces coûts ne sont pas couverts par Glen Dimplex Americas.

Ce que Glen Dimplex Americas et ses vendeurs ne couvrent pas :

DANS AUCUN CAS, GLEN DIMPLEX AMERICAS, OU SES DIRECTEURS, REPRÉSENTANTS OU AGENTS NE SERA RESPONSABLE DEVANT L'ACHETEUR OU TOUTE AUTRE TIERS. EN RAISON DU CONTRAT OU D'UN ACTE ILLICITE, OU POUR TOUTE AUTRE CAUSE, POUR TOUT COÛT, DOMMAGE OU PERTE INDIRECTE, SPÉCIALE, PUNITIVE, EXEMPLAIRE, CONSÉQUENTE OU INCIDENTELLE RÉSULTANT OU EN RAPPORT AVEC LA VENTE, L'ENTRETIEN, L'UTILISATION OU L'INCAPACITÉ D'UTILISER LE PRODUIT, MÊME SI GLEN DIMPLEX AMERICAS, SES DIRECTEURS, REPRÉSENTANTS OU AGENTS ONT ÉTÉ INFORMÉS SUR LA POSSIBILITÉ DE SES PERTES, COÛTS OU DOMMAGES, O SI CES DERNIERS SONT PRÉVISIBLES. DANS AUCUN CAS GLEN DIMPLEX AMERICAS OU SES DIRECTEURS, REPRÉSENTANTS OU AGENTS SERONT TENUS RESPONSABLES POUR TOUTE PERTE, COÛTS OU DOMMAGES QUI DÉPASSENT LE PRIX D'ACHAT DU PRODUIT. CERTAINES JURIDICTIONS NE PERMETTENT PAS L'EXCLUSION OU LIMITATION DES DOMMAGES INCIDENTELS OU CONSÉQUENTS, PAR CONSÉQUENCE, DANS CERTAINS CAS CETTE LIMITATION OU EXCLUSION NE S'APPLIQUERA PAS À L'ACHETEUR.

Application de la loi étatique et provinciale

Cette garantie limitée vous octroie les droits légaux spécifiques et vous pouvez également avoir d'autres droits qui peuvent varier selon la juridiction. Les dispositions de la Convention des Nations Unies sur les contrats de vente de biens ne s'applique pas à cette garantie limitée ou à la vente de produits sous cette garantie limitée.



Soutien technique

Sur le site suivant, vous pourrez accéder au soutien technique et au dépannage, ainsi qu'à une liste de pièces de remplacement :

www.faberfire.com/customer_support

1-888-346-7539



1-888-346-7539 | www.faberfire.com

Dans le cadre de notre politique d'amélioration continue de nos produits, nous nous réservons le droit de modifier les spécifications sans préavis.

© 2019 Glen Dimplex Americas

Glen Dimplex 
AMERICAS
Améliorer les moments qui comptent le plus dans la vie



Manual del propietario













Chimenea Eléctrica e-MatriX de 1, 2 y 3 caras de 800/650 (32 in x 26 in)

Modelos FEF3226L1, FEF3226L2L, FEF3226L2R, FEF3226L3

INFORMACIÓN IMPORTANTE DE SEGURIDAD: Lea este manual antes de intentar instalar o usar la chimenea eléctrica e-MatriX. Siempre obedezca las instrucciones de seguridad y advertencias contenidas en este manual para evitar lesiones personales o daños a la propiedad.

Para ver la línea completa de productos Faber, visite www.faberfire.com

 Bienvenida.....	3
 INSTRUCCIONES IMPORTANTES.....	4
 Especificaciones.....	5
 Instalación.....	8
 Funcionamiento.....	17
 Mantenimiento.....	19
 Solución a problemas.....	23
 Alimentación.....	24
 Garantía.....	27
 Soporte Técnico.....	28

Convenciones utilizadas en este manual:

! NOTA: Procedimientos y técnicas consideradas lo suficientemente importantes como para enfatizar.

⚠ PRECAUCIÓN: Procedimientos y técnicas que, si no se siguen con cuidado, dañarán el equipo.

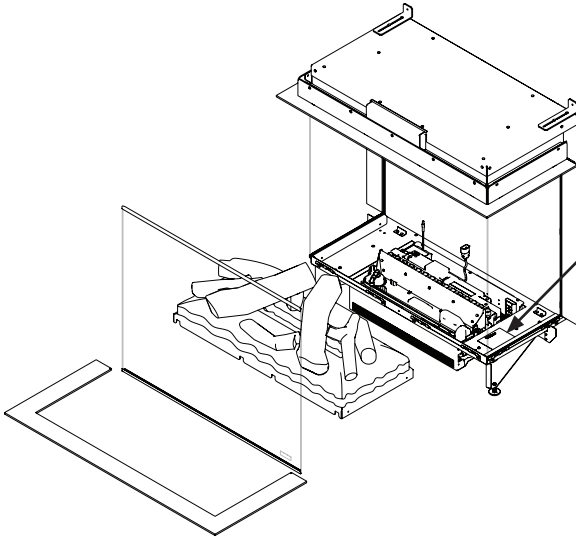
⚡ ADVERTENCIA: Procedimientos, precauciones y técnicas que, si no se siguen con cuidado, expondrán al usuario al riesgo de incendio, lesiones graves o la muerte.

 **GUARDE ESTAS INSTRUCCIONES** 

Bienvenida



Gracias por comprar la chimenea eléctrica Faber e-MatriX. Utilice nuestra conveniente página de registro en línea para registrar su modelo y números de serie para futuras referencias, en:

www.faberfire.com/register



⚠ PRECAUCIÓN: Lea todas las instrucciones y advertencias cuidadosamente antes de comenzar la instalación. El incumplimiento de estas instrucciones puede provocar una posible descarga eléctrica o riesgo de incendio lo cual anulará la garantía. Únicamente haga que un instalador calificado instale la chimenea de acuerdo con las normas locales de seguridad eléctrica e hidráulica.

Los números de modelo y de serie se encuentran bajo los leños

										
GLEN DIMPLEX AMERICAS 1367 INDUSTRIAL ROAD CAMBRIDGE, ON, N3H 4W3 CANADA DO NOT SUBMERSE NE PLONGER NO SUMERJA	<table border="1"><tr><td>MODEL / MODELE MODELO</td><td>6910360100</td><td>MOD -</td></tr><tr><td>CAT.# N° de Cat.</td><td>FEF3226L1</td><td></td></tr><tr><td>SERIAL NO. NUMÉRO DE SERIE NÚMERO DE SERIE</td><td>0011911GDB</td><td>001</td></tr></table>	MODEL / MODELE MODELO	6910360100	MOD -	CAT.# N° de Cat.	FEF3226L1		SERIAL NO. NUMÉRO DE SERIE NÚMERO DE SERIE	0011911GDB	001
MODEL / MODELE MODELO	6910360100	MOD -								
CAT.# N° de Cat.	FEF3226L1									
SERIAL NO. NUMÉRO DE SERIE NÚMERO DE SERIE	0011911GDB	001								
270 W, 120 V ~, 60 Hz		AIR HEATER CHAUFFE-AIR CALENTADOR DE AIRE 146Y E71416								
FOR USE IN INDOOR DRY LOCATION ONLY POUR USAGE DANS DES ENDROITS SECS A L'INTERIEUR SEULEMENT PARA EL USO EN LOCALIZACIONES SECAS DE INTERIOR SOLAMENTE										
<small>THIS PRODUCT MAY BE COVERED BY ONE OR MORE U.S. PATENTS OR PENDING PATENT APPLICATIONS. SEE WWW.DIMPLEX.COM/PATENTS FOR DETAILS. CE PRODUIT PEUT ÊTRE PROTÉGÉ PAR UN OU PLUSIEURS BREVETS AMÉRICAINS OU DES APPLICATIONS DE BREVET EN ATTENTE. VISITEZ WWW.DIMPLEX.COM/PATENTS POUR PLUS D'INFORMATIONS. ESTE PRODUCTO PUEDE ESTAR CUBIERTO POR UNA O MÁS PATENTES DE ESTADOS UNIDOS O SOLICITUDES DE PATENTES PENDIENTES. VER WWW.DIMPLEX.COM/PATENTS PARA OBTENER MÁS DETALLES.</small>										
MADE IN NETHERLANDS / FAIT EN PAYS-BAS / ECHO EN PAÍSES BAJOS 71229400400R01										

Antes de la instalación, revise la chimenea e-MatriX por daños de transporte y reporte inmediatamente a su proveedor. Asegúrese de que todos los siguientes artículos estén incluidos:

- Caja de Control
- Control remoto
- Material de decoración (ceniza y virutas artificiales)
- Ventosas (2x)
- Puerta de servicio
- Transductores de repuesto (2x)
- Pastilla de encendido



NO NECESITA REGRESAR A LA TIENDA

¿Preguntas sobre el funcionamiento o el montaje? ¿Requiere información de piezas?
¿Producto bajo la garantía del fabricante?

Contáctenos en:  www.faberfire.com/customer_support

Para resolución de problemas y soporte técnico

 **sin costo al 1-888-346-7539**

Para poder brindarle un mejor servicio, tenga a la mano sus números de modelo y de serie.

INSTRUCCIONES IMPORTANTES

Para su seguridad, siempre obedezca todas las advertencias e instrucciones de seguridad contenidas en este manual para evitar lesiones personales o daños a la propiedad.

Al usar cualquier aparato eléctrico, siempre se deben seguir las precauciones básicas para reducir el riesgo de incendio, descarga eléctrica y lesiones personales. Estas precauciones incluyen:

! NOTA: Para efectos de certificación, la chimenea se considera un calentador. La salida de calor es mínima y no debe considerarse una fuente de calor suplementaria.

- ① Lea todas las instrucciones antes de usar la unidad.
- ② No opere ninguna unidad si la unidad se ha caído o dañado de alguna manera. Póngase en contacto con el servicio técnico al 1-888-346-7539.
- ③ No utilizar al aire libre.
- ④ Es necesario extremar la precaución cuando un calentador sea usado por o cerca de niños o personas inválidas, y cuando el calentador se deje en funcionamiento y sin supervisión.
- ⑤ No haga funcionar ningún calentador después de que éste funcione mal. Desconecte la energía en el panel de servicio y haga que se inspeccione el calentador por un electricista de buena reputación antes de volverlo a utilizar.
- ⑥ Para desconectar la unidad, apague los controles, desconecte la alimentación en el panel de servicio.
- ⑦ No inserte ni permita que objetos extraños entren en ninguna abertura de ventilación o escape, ya que esto podría causar una descarga eléctrica o un incendio.
- ⑧ Para evitar un posible incendio, no bloquee las entradas o salidas de aire de ninguna manera.

- ⑨ Todos los calentadores eléctricos tienen partes calientes y con arcos voltaicos o chispas en el interior. No lo use en áreas donde se use o almacene gasolina, pintura o líquidos inflamables.
- ⑩ No modifique la unidad. Úsela solo como se describe en este manual. Cualquier otro uso no recomendado por el fabricante puede provocar incendios, descargas eléctricas o lesiones personales.
- ⑪ No queme madera u otros materiales en la unidad.
- ⑫ Siempre use un electricista certificado si se requieren nuevos circuitos o tomacorrientes.
- ⑬ Desconecte la fuente de alimentación antes de realizar cualquier limpieza, mantenimiento o reubicación de la unidad.
- ⑭ Al transportar o almacenar la unidad, manténgala en un lugar seco, libre de vibraciones excesivas y guárdela para evitar daños.
- ⑮ No modifique esta chimenea. Úsela solo como se describe en este manual. Cualquier otro uso puede provocar incendios, descargas eléctricas o lesiones personales.

⚠ ADVERTENCIA: El control remoto contiene baterías pequeñas. Aléjelas de los niños. En caso de ingestión, acuda inmediatamente al médico.

⚠ ADVERTENCIA: No instale la batería al revés, cargue, prenda fuego o mezcle con baterías usadas u otros tipos de baterías que puedan explotar o provocar fugas causando lesiones.

! NOTA: Los cambios o modificaciones no aprobados expresamente por la parte responsable del cumplimiento podrían anular la autoridad del usuario para operar el equipo.

PRECAUCIÓN



RIESGO DE DESCARGA ELÉCTRICA. NO ABRA.
CONTIENE PIEZAS QUE EL USUARIO NO PUEDE REPARAR



GUARDE ESTAS INSTRUCCIONES



INSTRUCCIONES IMPORTANTES



Especificaciones

Cumplimiento de la FCC

⚠ PRECAUCIÓN: Esta unidad ha sido probada y cumple con los límites para dispositivos digitales de Clase B, de acuerdo con la parte 15 de las Normas de la FCC. Estos límites están diseñados para proporcionar una protección razonable contra interferencias perjudiciales en una instalación residencial. Esta unidad genera, utiliza y puede emitir energía de radiofrecuencia y, si no se instala y utiliza de acuerdo con las instrucciones, puede causar interferencias perjudiciales en la recepción de radio o televisión, lo que puede determinarse apagando y encendiendo la unidad. Se recomienda al usuario intentar corregir la interferencia mediante una o más de las siguientes medidas:


- Reorientar o reubicar la antena receptora.
- Aumentar la separación entre la unidad y el receptor.
- Conectar la unidad a una toma de corriente en un circuito diferente al que está conectado el receptor.
- Consulte con el distribuidor o con un técnico de radio/TV experimentado para obtener ayuda.

Esta unidad cumple con la Parte 15 de las Reglas de la FCC. El funcionamiento está sujeto a las siguientes dos condiciones: (1) esta unidad no puede causar interferencias perjudiciales y (2) esta unidad debe aceptar cualquier interferencia recibida, incluidas las interferencias que puedan causar un funcionamiento no deseado.

⚠ PRECAUCION DE LA FCC: Cualquier cambio o modificación no aprobados expresamente por la parte responsable del cumplimiento podría anular la autoridad del usuario para operar este equipo.

La chimenea eléctrica e-MatriX ofrece una alternativa a la chimenea de madera o de gas.

Alimentación

Voltios	120 V 60 Hz
Amperios	2.25 A @ 25o C
Vatios	270 W @ 25o C
Cableado	Cableado físico
Tipo de foco	LED
Aprobaciones	
Baterías para el control remoto	(2x) 1.5V AA
Consumo de agua	0.30 l/hr
Presión del agua de entrada	8-110 psi
Conexión de agua	1/4 in línea de agua o 3/4in hembra

! NOTA: Se requiere un circuito de 15 A. Se prefiere un circuito dedicado, pero no es esencial en todos los casos. Se requerirá un circuito dedicado si, después de la instalación, el interruptor se dispara o el fusible se quema regularmente cuando el calentador está funcionando. Los dispositivos adicionales en el mismo circuito pueden exceder la capacidad nominal de corriente del interruptor de circuito.

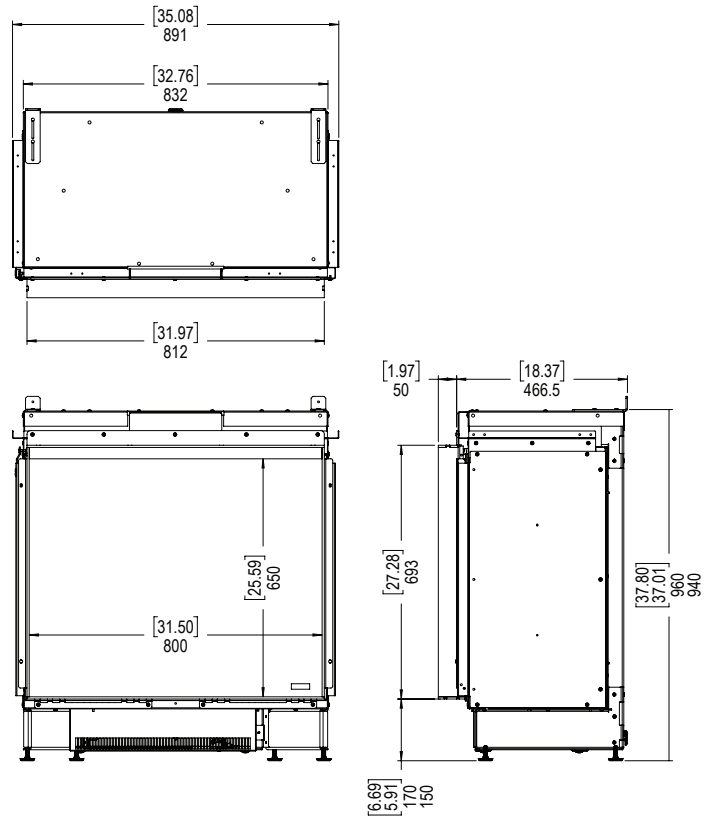
Dimensiones del Producto

Hay cuatro modelos disponibles para la chimenea eléctrica Faber e-MatriX:

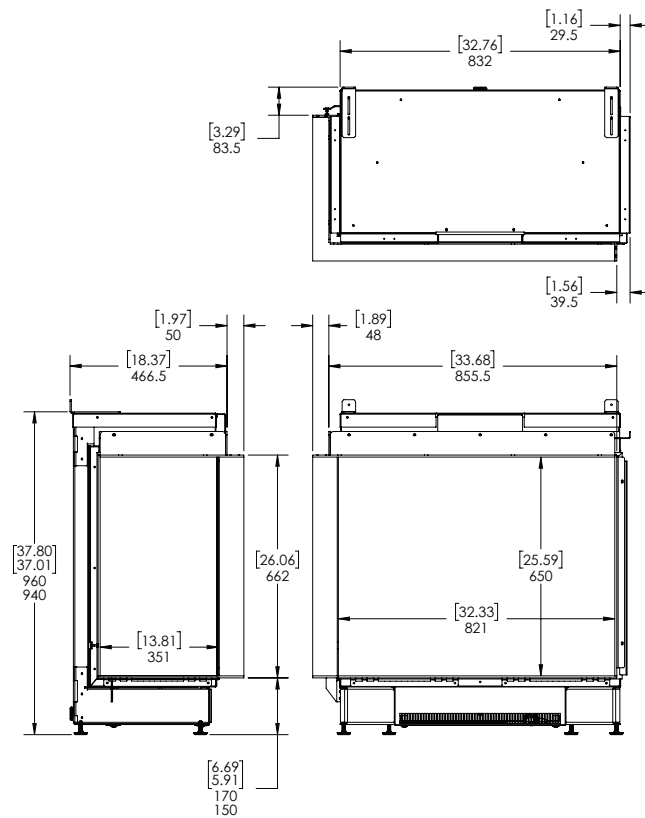
- FEF3226L1
- FEF3226L2L
- FEF3226L2R
- FEF3226L3

A continuación se detallan las dimensiones de los cuatro modelos:

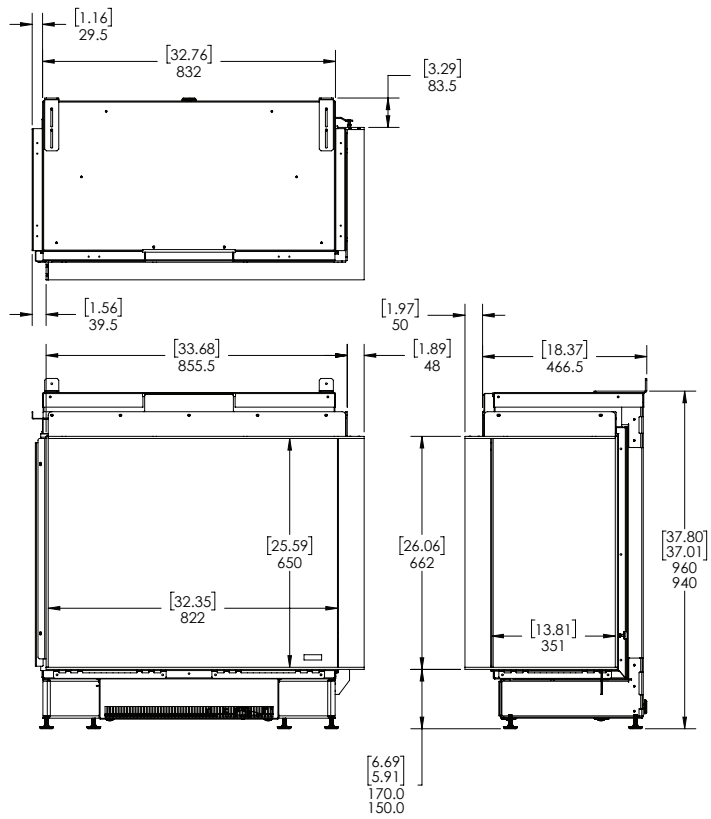
FEF3226L1



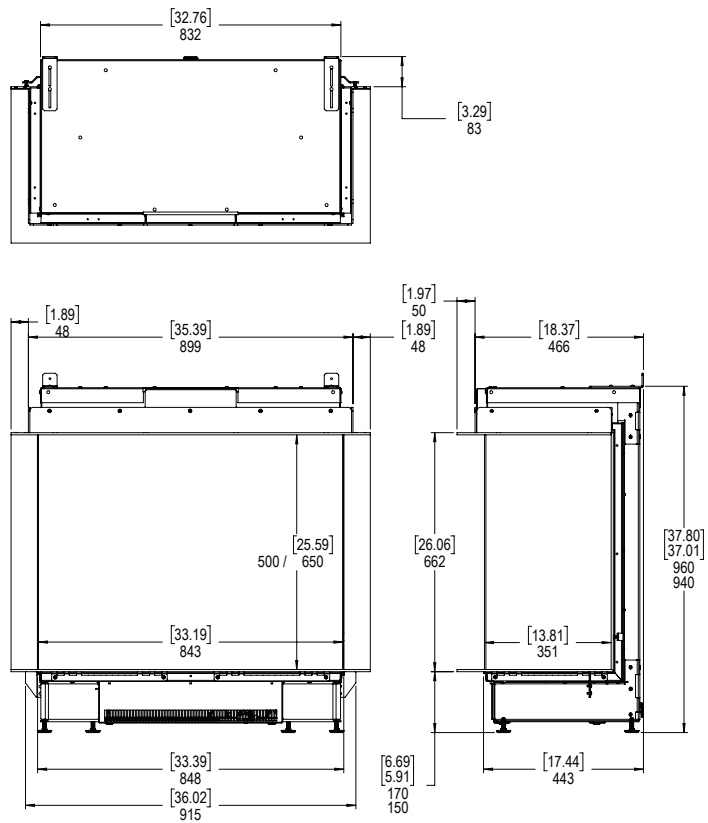
FEF3226L2L



FEF3226L2R



FEF3226L3



Instalación

Requisitos de instalación

Fuente de alimentación

Se recomienda un circuito dedicado a tierra de 15 A, 120 VCA, pero no es esencial en todos los casos. Los aparatos adicionales en el mismo circuito pueden exceder la corriente disponible.

Se requerirá un circuito dedicado si, después de la instalación, el interruptor se dispara o el fusible se quema regularmente cuando la chimenea está en funcionamiento.

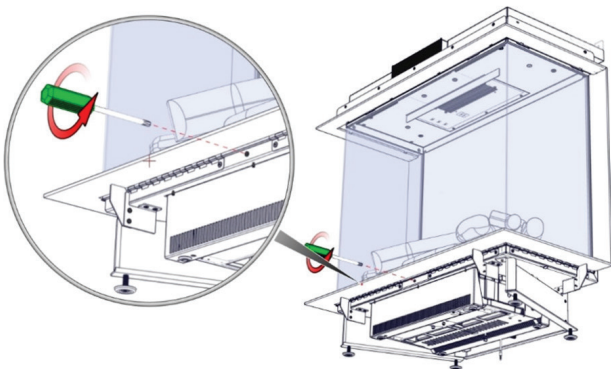
Suministro de agua

- Conexión de agua de línea de cobre o plástico flexible de 1/4 in, tubería de plástico o cobre de 1/2 in en un lugar accesible que puede perforarse con el valor de perforación, o conexión de manguera de 3/4 in colocada en un lugar accesible.
- Presión de agua entre 8-110 psi. Donde sea necesario, use una válvula reductora de presión.

! NOTA: El agua normal del grifo se puede utilizar en el e-Matrix si el agua del grifo no se considera agua dura. Para agua dura, use agua ablandada o filtrada.

Desempaque de la Chimenea

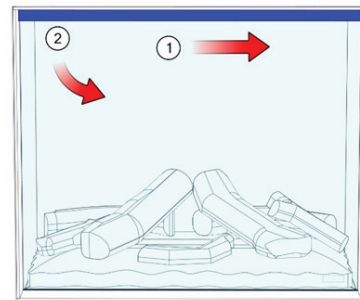
1. Asegúrese de retirar todos los materiales incluidos.
2. Retire el tornillo de transporte en la parte frontal de la unidad.



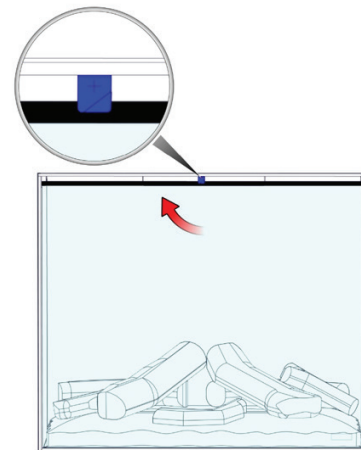
Preparación de la Chimenea para su Colocación

Retirar el vidrio frontal (FEF3226L1)

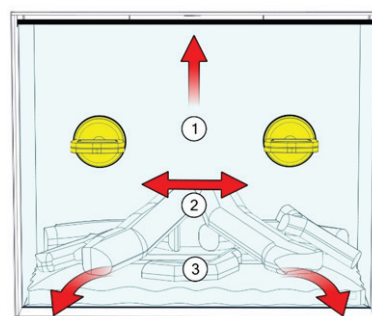
1. Retire la cinta de recubrimiento.



2. Gire la pieza de sujeción del vidrio hacia la derecha.



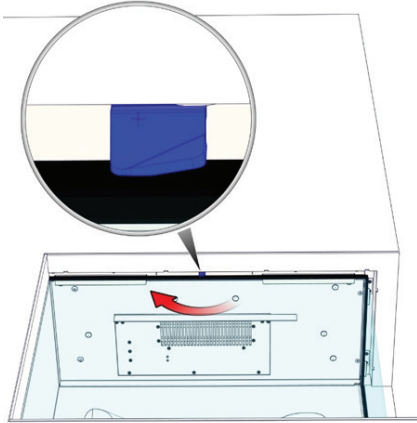
3. Coloque las ventosas y retire el vidrio frontal.



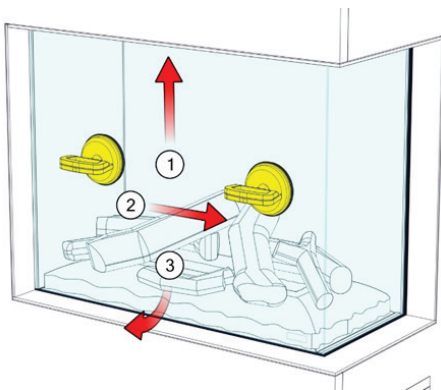
Instalación

Retirar el vidrio frontal (FEF3226L2L, FEF3226L2R y FEF3226L3)

1. Gire la pieza de sujeción del vidrio hacia la derecha.



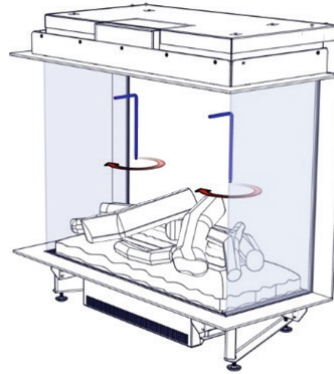
2. Coloque las ventosas y retire el vidrio frontal.



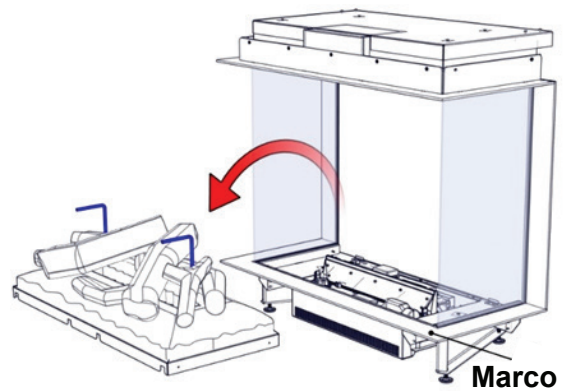
Retirar el lecho de combustible

⚠ PRECAUCIÓN: Nunca levante el lecho de combustible sin usar las manijas suministradas.

1. Retire el vidrio frontal.
2. Cubra el marco para evitar rayones.
3. Tornille las manijas en el lecho de combustible.



4. Levante el lecho de combustible con cuidado y desconecte el enchufe eléctrico.
5. Guarde el lecho de combustible en un lugar seguro.

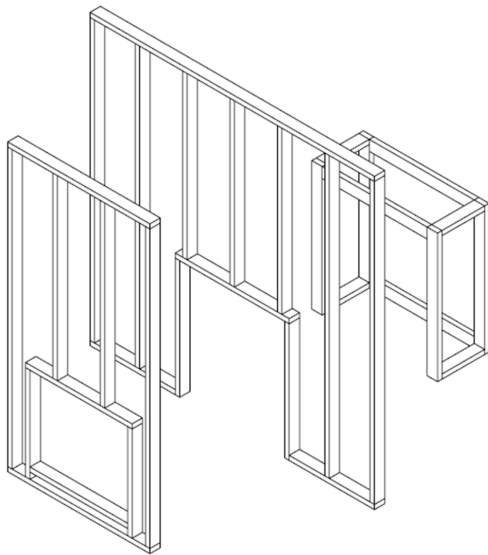


Enmarcado de la chimenea

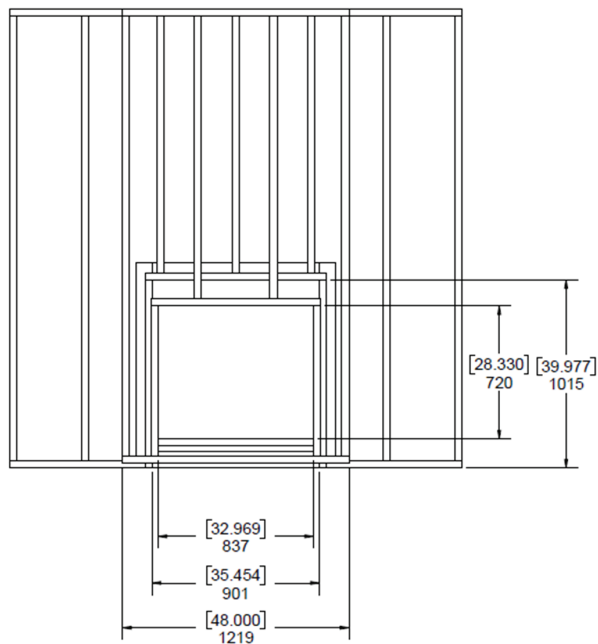
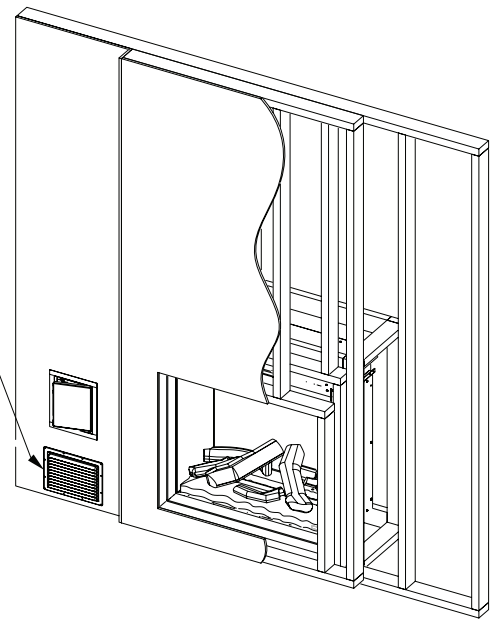
Las siguientes instrucciones son opciones de enmarcado sugeridas y se deben usar como guía (se muestra la construcción 2x4). Consulte la sección de especificaciones para conocer las dimensiones de la chimenea y crear marcos personalizados.

! NOTA: El e-Matrix necesita una ventilación de entrada mínima de 40 pulg.² (258 cm²) debajo de la chimenea. La entrada debe permitir que el aire llegue a la parte inferior de la unidad.

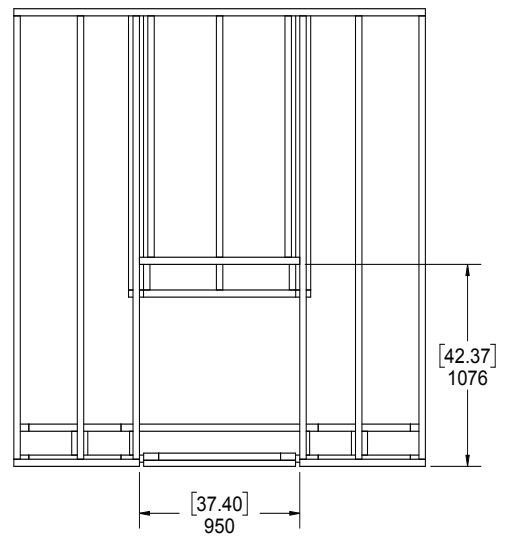
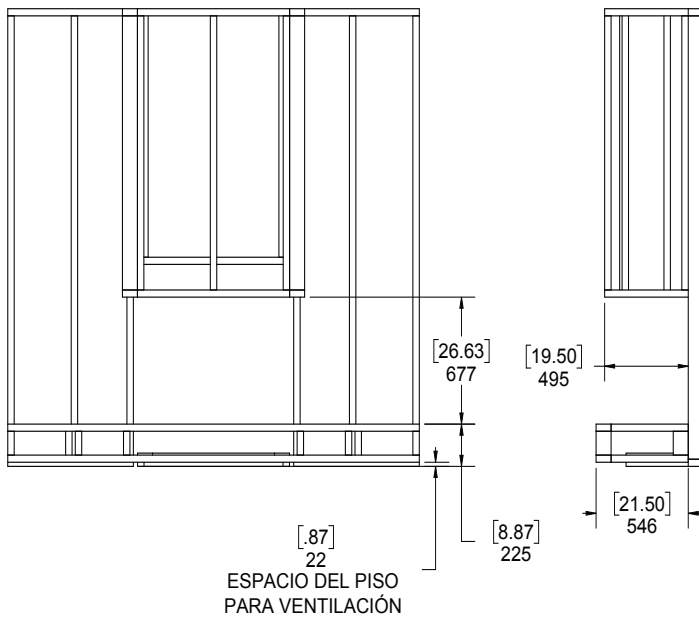
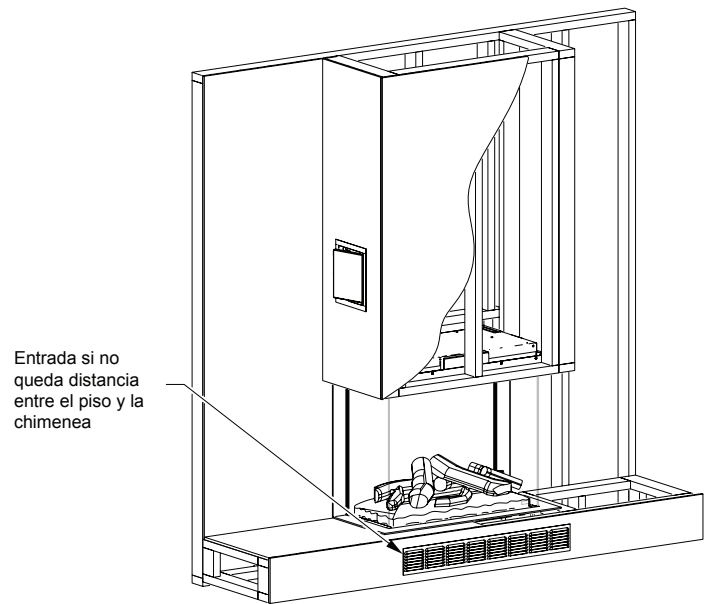
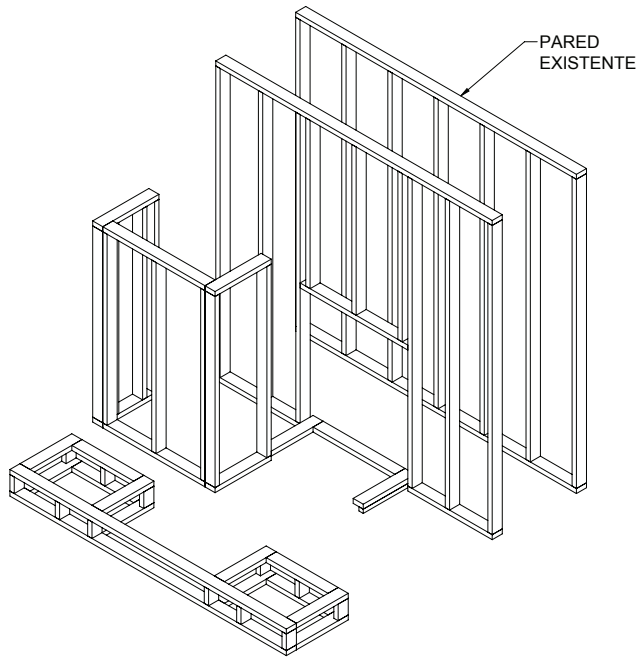
FEF3226L1 – Opción de enmarcado 1



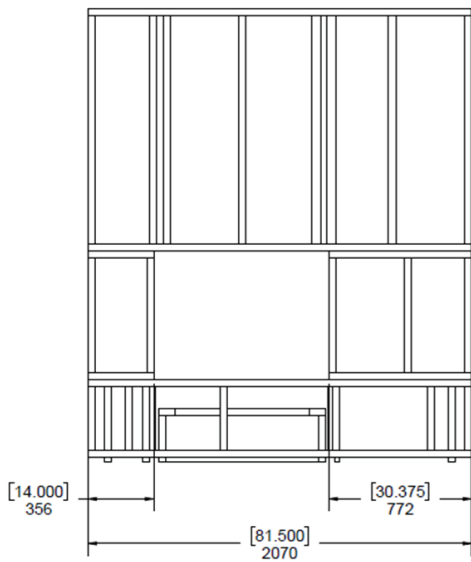
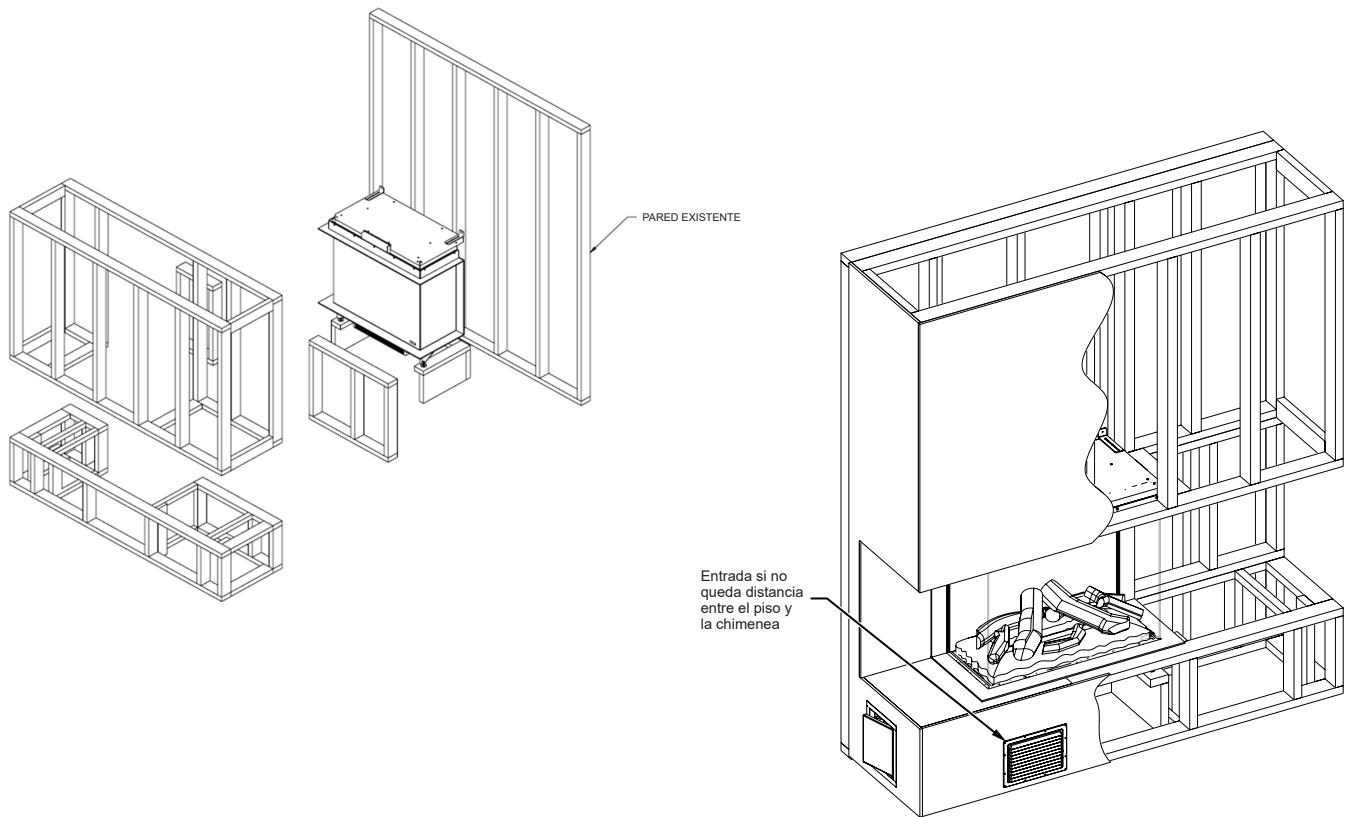
Entrada si no queda espacio entre el piso y la chimenea.



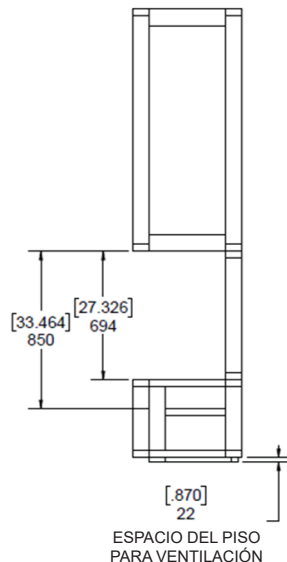
FEF3226L2/L3 – Opción de enmarcado 1



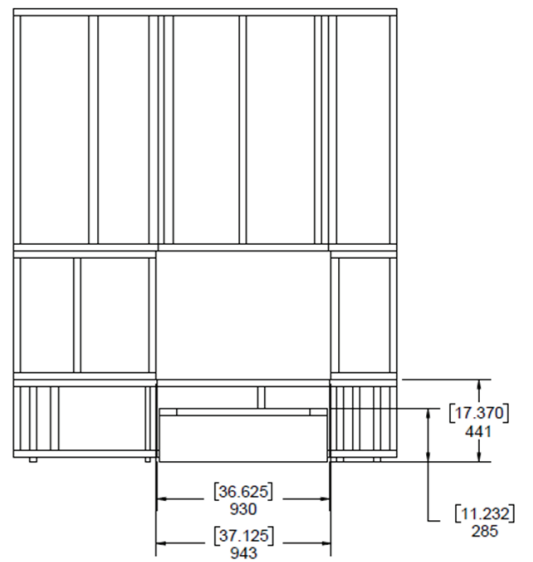
FEF3226L2/L3 – Opción de enmarcado 2



VISTA FRONTAL
NO SE MUESTRA LA PARED POSTERIOR



VISTA LATERAL
NO SE MUESTRA LA PARED POSTERIOR

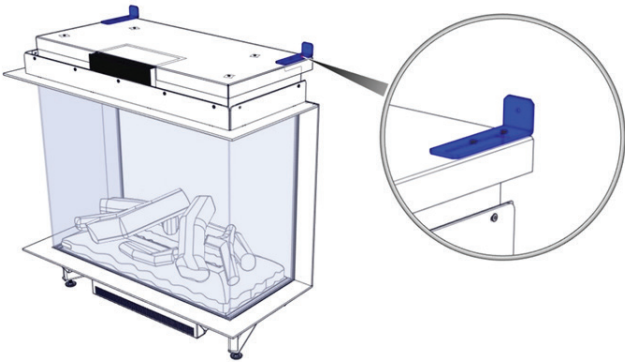


VISTA TRASERA
NO SE MUESTRA LA PARED POSTERIOR

✂ Instalación

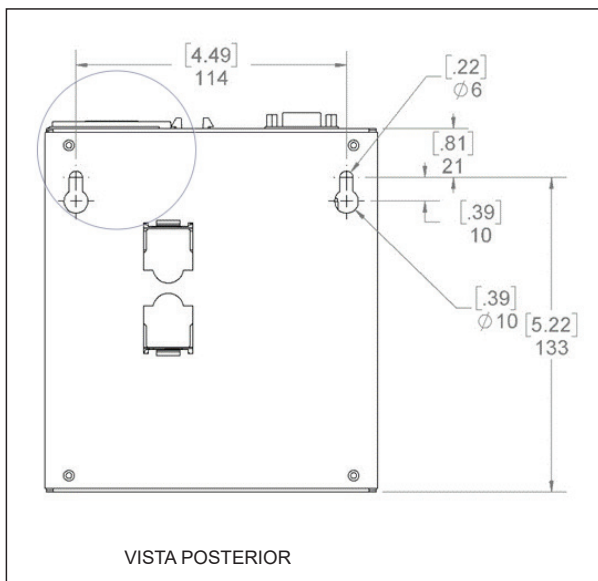
Colocar la chimenea

1. Coloque la chimenea en la abertura. Nivele con las patas ajustables y si se requiere un ajuste adicional, se pueden usar taquetes.
2. Coloque la chimenea en la posición correcta y fíjela a la pared.



! NOTA: Si la chimenea estará en una abertura existente y se usa con el accesorio de adorno, ubique la chimenea según sea necesario para obtener la mejor apariencia. El e-MatriX necesita un espacio libre mínimo de 2 in (50 mm) sobre la chimenea.

⚠ PRECAUCIÓN: El e-MatriX necesita una ventilación de entrada mínima de 40 pulg.² (258 cm²) debajo de la chimenea. La entrada debe permitir que el aire llegue a la parte inferior de la unidad.



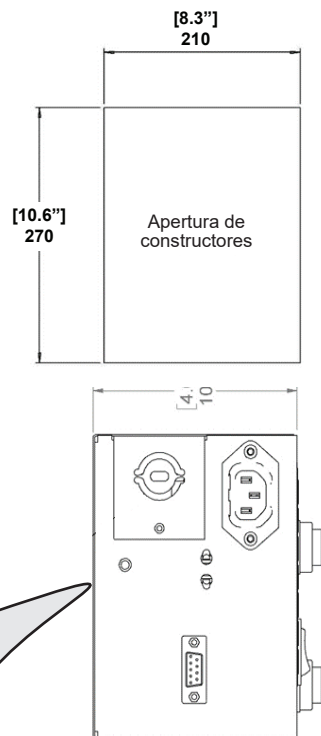
Colocar la caja de control

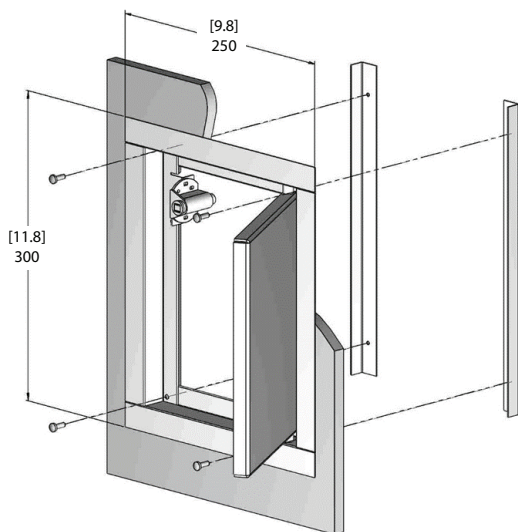
! NOTA: La caja de control requiere una abertura de 8.3 in (210 mm) por 10.6 in (270 mm) y una profundidad mínima de 7.5 in (190 mm). La abertura debe tener acceso a agua y conexiones eléctricas.

! NOTA: Desde el centro de la chimenea, la caja de control debe ubicarse a NO MÁS DE 59 in (1.5 m) a la izquierda y 39 3/8 in (1.0 m) a la derecha de la chimenea.

Para instalar la caja de control:

1. Monte la caja de control con 2 tornillos (no incluidos) en la pared posterior de la abertura. Use tornillos apropiados para el peso de la caja de control y el material de la pared.
2. Instale la tapa de la caja de control.





Conecte el suministro eléctrico

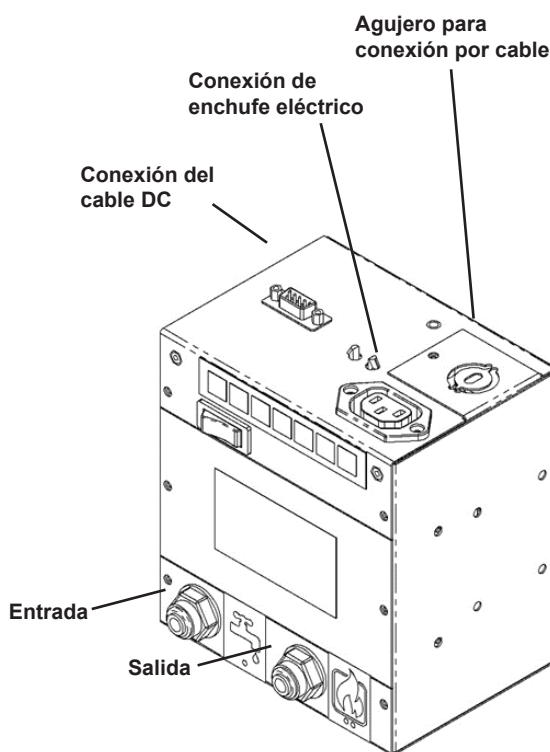
⚠ ADVERTENCIA: No intente cablear sus propios circuitos. Para reducir la amenaza de incendio, descarga eléctrica o lesiones en las personas, siempre utilice un electricista autorizado.

⚠ ADVERTENCIA: Asegúrese de que la alimentación esté desconectada del circuito en el que se instalará la chimenea hasta que se complete la instalación.

1. Use un cable de alimentación de 2 conductores con conexión a tierra (3 cables en total) desde el corte del circuito hasta la caja de control.
2. Permita una longitud de cable adecuada para poder conectar la caja de control antes del montaje.
3. Retire el panel ciego de la caja de control.
4. Pase el cable de la fuente de alimentación a través del orificio ciego y asegúrelo con un anillo pasacables de 1/2 in.
5. Conecte el cable negro de la caja de control al cable con corriente (L1) de la fuente de alimentación.
6. Conecte el cable blanco de la caja de control al cable neutro (N) del cable de alimentación.
7. Conecte el cable verde de la caja de control al cable de tierra (G) del cable de alimentación.

8. Vuelva a instalar el panel ciego en la caja de control.
9. Conecte la caja de control a la chimenea usando el cable de extensión CA suministrado.
10. Conecte la conexión DC de la caja de control a la chimenea utilizando el cable DC suministrado.
11. Monte la caja de control como se describe en la sección anterior.

! NOTA: La longitud máxima del cable desde el centro de la chimenea a la derecha de la chimenea es de 3.3 pies (1.0 m) y a la izquierda es de 4.9 pies (1.5 m).



✂ Instalación

Conexión del suministro de agua

La chimenea e-MatriX está equipada con las siguientes protecciones contra el derrame de agua:

- Válvula electromecánica en la caja de control activada por un sensor de derrame en el tanque de agua.
- Válvula de absorción en el activado cuando el depósito de agua se derrame.

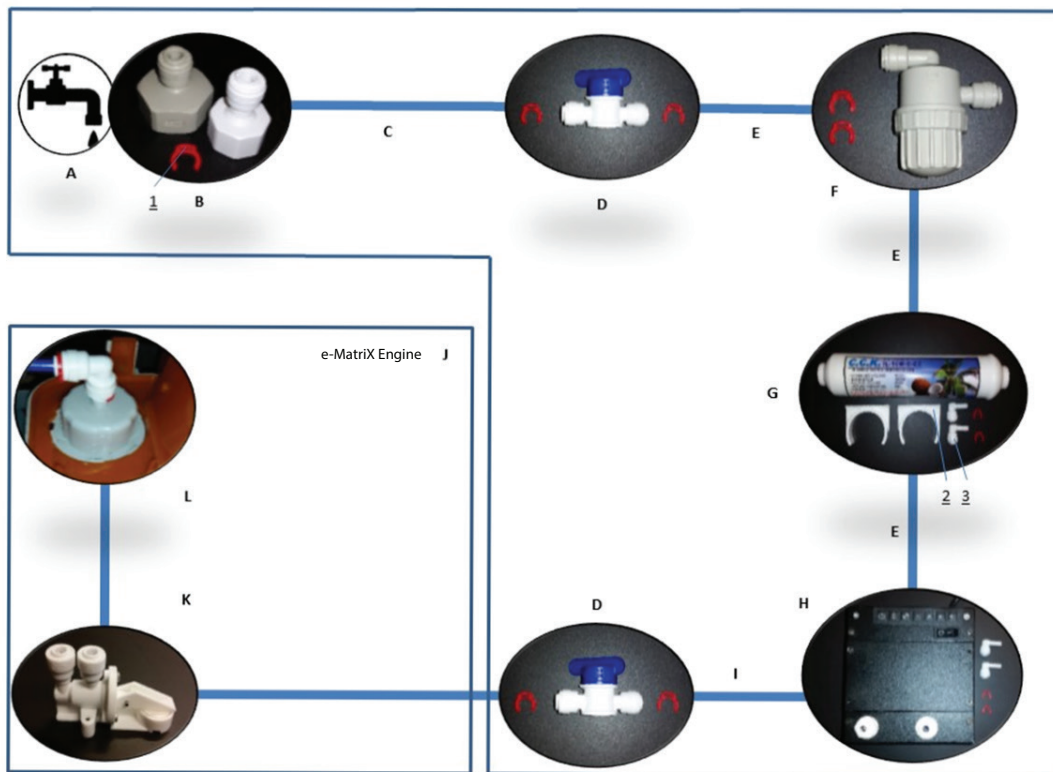
Para conectar el suministro de agua:

1. Conecte todos los componentes del suministro de agua de acuerdo con el diagrama que se muestra a continuación. Todas las partes están incluidas con el producto.
2. Coloque los filtros de agua en un lugar accesible en la alineación correcta. Siga las marcas de dirección de "flujo" en los filtros y la caja de control.

! NOTA: Verifique que no haya fugas de agua en todas las conexiones antes de colocar el lecho de combustible y el vidrio frontal.

Revise las conexiones de agua para detectar fugas

1. Asegúrese de que todas las válvulas de bola estén abiertas.
2. Abra el suministro de agua.
3. Presione el interruptor principal [🔌] en la caja de control en la posición encender.
 - Si el nivel del agua es lo suficientemente alto, las llamas se encenderán automáticamente después de 45 segundos.
 - Si el nivel del agua no es lo suficientemente alto, los LED parpadearán dos veces después de 45 segundos. Presione el interruptor principal en la posición APAGAR, espere 5 segundos y repita el paso anterior. (Este proceso puede necesitar ser repetido varias veces).
4. Asegúrese de que todas las conexiones de agua estén ajustadas y que no tengan fugas.



A = Agua de la red

B = Conector de 1/2 o 3/4 in

C = Tubo de 1/4 in 1m

D = Válvula de bola

1 = Broches de seguridad (11x)

E = Para ser cortado en 1/4 in 1m del tubo

F = Filtro de malla

G = Filtro en línea

H = Caja de control

2 = Soportes del filtro en línea (2x)

I = Tubo de 1/4 in 1.5m

J = Motor e-MatriX

K = Valva de absorción. El usuario no lo necesita conectar. Referencia para servicio solamente.

L = Tapa de llenado. El usuario no lo necesita conectar. Referencia para servicio solamente.

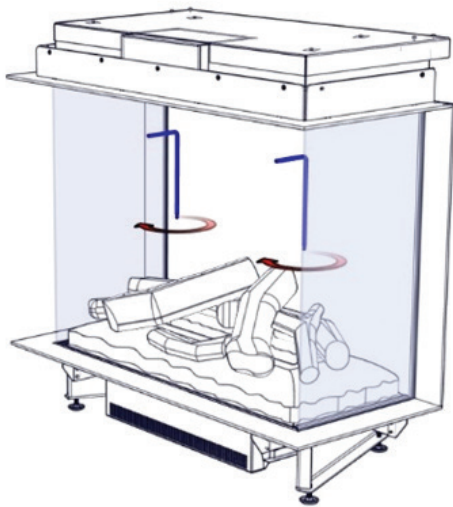
3 = Codos (4x)

Instalación

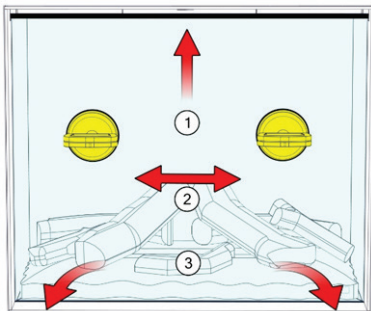
Colocar el lecho de combustible

⚠ PRECAUCIÓN: Nunca levante el lecho de combustible sin usar las manijas suministradas.

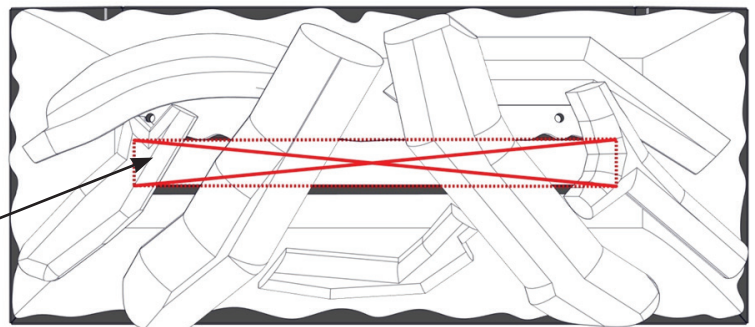
1. Levante cuidadosamente el lecho de combustible tomándolo por las manijas.
2. Conecte el enchufe eléctrico y asiente el lecho de combustible en su lugar.
3. Desatornille las manijas del lecho de combustible y guárdelas para uso futuro.



4. Coloque las ventosas y vuelva a colocar el vidrio frontal.

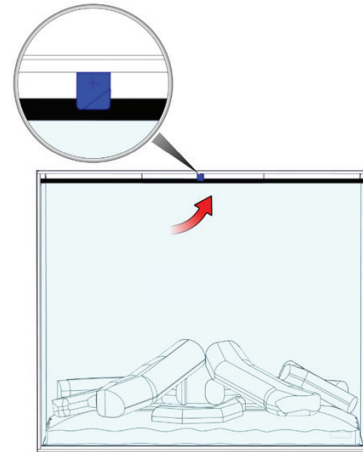


Evite que el material de decoración caiga sobre el área central.



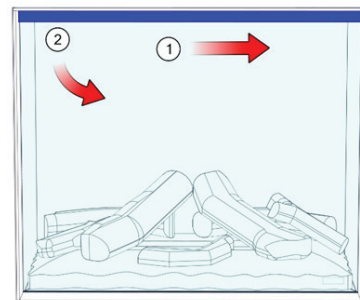
Vidrio frontal solamente

Gire la pieza de sujeción hacia la izquierda para fijar el vidrio en su posición.



Vidrio de 2 o 3 caras

Gire la pieza de sujeción hacia la izquierda para fijar el vidrio en su posición.



Colocación del material de decoración

¡Las cenizas y virutas artificiales suministradas se pueden utilizar para personalizar su fuego!

⚠ PRECAUCIÓN: Mantenga el material de decoración alejado de los niños, personas con capacidades físicas o mentales reducidas y animales.

🔑 Funcionamiento

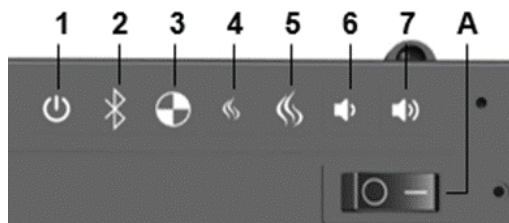
- ⚠️ **ADVERTENCIA:** La chimenea e-Matrix debe instalarse correctamente antes de ser utilizada.
- ⚠️ **PRECAUCIÓN:** A excepción de la instalación y la limpieza descritas en este manual, un representante de servicio autorizado debe realizar cualquier otro servicio.

Llenado de agua por primera vez

1. Asegúrese de que todas las válvulas de bola estén abiertas.
2. Abra el suministro de agua
3. Presione el interruptor principal [🔌] en la caja de control en la posición ENCENDER.
 - Si el nivel del agua es lo suficientemente alto, las llamas se encenderán automáticamente después de 45 segundos.
 - Si el nivel del agua no es lo suficientemente alto, los LED parpadearán dos veces después de 45 segundos. Presione el interruptor principal en la posición APAGAR, espere 5 segundos y repita el paso anterior. (Este proceso puede necesitar ser repetido varias veces).

Manual del panel de control

Los controles manuales para la chimenea e-Matrix están ubicados en la parte frontal de la caja de control (ubicada detrás de la puerta de acceso después de la instalación). Toque un icono para su activación.

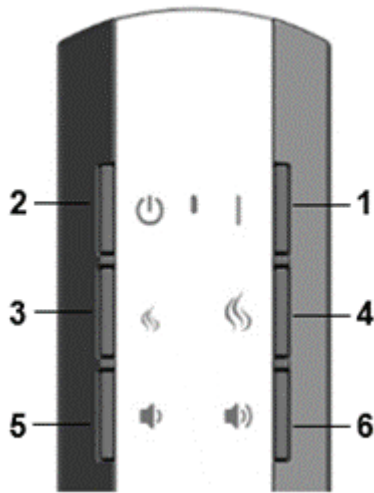


	Ícono	Descripción
A	🔌	Interruptor principal: Alternar Encender/ Apagar. (Se escuchará 1 sonido.)
1	🔌	Presione para activar (ENCENDER). (Se escuchará 1 sonido). Presione nuevamente para APAGAR.
2	📶	Presione para activar el emparejamiento del control remoto. La chimenea comenzará a sonar y el LED parpadeará. Para emparejar el control remoto, presione cualquier botón del control remoto durante este tiempo. El emparejamiento estará completo cuando la chimenea se APAGUE.
3	🔧	Mantenimiento: Para uso por técnicos de servicio.
4	🔥	Presione varias veces para reducir la altura de la llama.
5	🔥	Presione varias veces para aumentar la altura de la llama.
6	🔊	Presione varias veces para reducir el sonido crepitante del fuego.
7	🔊	Presione varias veces para aumentar el sonido crepitante del fuego.

Funcionamiento

Control remoto

Un control remoto multifuncional está incluido. El control remoto tiene un alcance máximo de 30 pies (9 m).



	Icon	Description
1	○	Interruptor principal: Alternar Encender/ Apagar. (Se escuchará 1 sonido.)
2	⏻	Presione para activar (ENCENDER). (Se escuchará 1 sonido). Presione nuevamente para APAGAR.
3	🔥	Presione varias veces para reducir la altura de la flama.
4	🔥	Presione varias veces para aumentar la altura de la flama.
5	🔊	Presione varias veces para reducir el sonido crepitante del fuego.
6	🔊	Presione varias veces para aumentar el sonido crepitante del fuego.

Emparejar el control remoto

Conecte (empareje) el control remoto a la caja de control y use el control remoto para encender o apagar la chimenea, ajustar la altura de la llama o ajustar el volumen del sonido crepitante.

Para emparejar el control remoto y la caja de control:

1. Presione el interruptor principal de la caja de control en la posición encender. (La caja de control emite un sonido una vez.)
2. Presione el botón principal [⏻] de la caja de control para iniciar el fuego. (La caja de control emite un sonido una vez.)
3. Presione el botón de emparejamiento [✳️] en la caja de control para encender la chimenea. (La caja de control emite un sonido una vez y los íconos LED se encienden y apagan.)
4. Presione el botón principal [⏻] en el control remoto para apagar la chimenea.

Cuando el control remoto está emparejado, verifique si todas las funciones del control remoto están disponibles desde la distancia deseada.

5. Si es necesario, mueva el receptor a una posición diferente dentro o fuera de la construcción.

! NOTA: El receptor se encuentra en la parte posterior interior de la unidad de la chimenea. El receptor tiene una longitud de cable de 4.4 pies (1.4 m).



Cambio de batería

Para cambiar la batería:

1. Afloje el tornillo en la parte posterior del control remoto y deslice la tapa de la batería para abrirla.
2. Instale dos baterías AA de 1.5V.
3. Deslice la tapa de la batería para cerrarla y apriete el tornillo.



La batería debe ser reciclada o eliminada adecuadamente. Consulte con su autoridad local o minorista para obtener consejos de reciclaje en su área.

Obtención del efecto deseado de la flama

! NOTA: La chimenea siempre comienza con el ajuste mínimo de flama.

1. Presione el botón para aumentar la flama [] para flamas más altas, o el botón para disminuir la flama [] para flamas más bajas. Dé tiempo al generador de la flama para que reaccione al cambio.

! NOTA: El aumento de la altura de la flama puede provocar condensación en el vidrio.

2. Presione el botón para aumentar el sonido [] para un sonido crepitante más alto o el botón para disminuir el sonido [] para un sonido crepitante más bajo. El volumen mínimo de este sonido está desactivado.

Si la chimenea se pone en modo de espera o se apaga por completo, siempre volverá al ajuste mínimo de flama. El nivel de sonido seguirá siendo el mismo que el último nivel de sonido establecido.

Programa de mantenimiento

El intervalo de mantenimiento depende de la calidad del agua y/o las horas de funcionamiento y, por lo tanto, puede diferir de las siguientes recomendaciones.

- Limpie el colector de agua y el filtro de aire, y reemplace los transductores cada 3 meses para uso comercial o cada 12 meses para uso residencial.
- Limpie el filtro de malla cada 3 meses y reemplace el filtro en línea cada 12 meses para uso comercial y cada 24 meses para uso residencial.

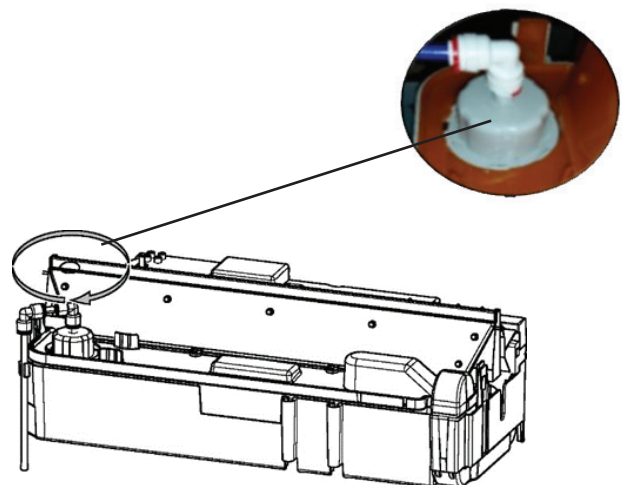
Limpieza del depósito de agua

! ADVERTENCIA: Siempre presione el interruptor principal en la posición APAGAR y desconecte la fuente de alimentación antes de limpiar el depósito de agua.

! PRECAUCIÓN: Nunca utilice limpiadores abrasivos.

Para limpiar el depósito de agua:

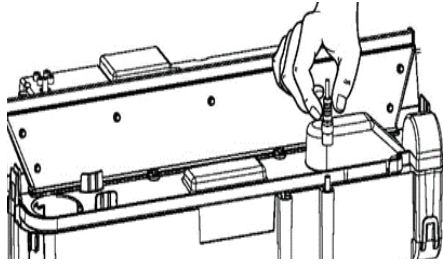
1. Retire el vidrio frontal (consulte las instrucciones en la sección *Preparación de la chimenea para su colocación* en la página 8).
2. Retire el lecho de combustible (consulte las instrucciones en la sección *Preparación de la chimenea para su colocación* en la página 8).
3. Desconecte la tapa de llenado (gire la tapa hacia la derecha).



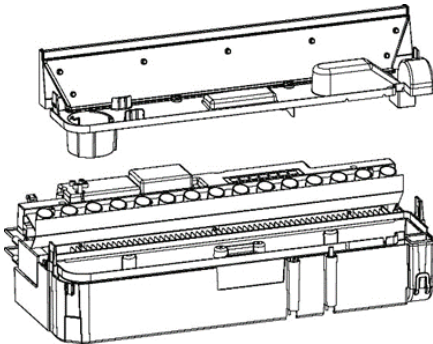
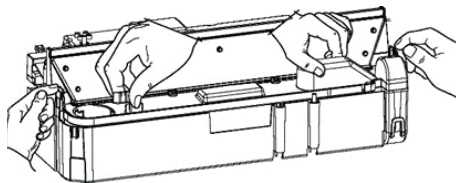


Mantenimiento

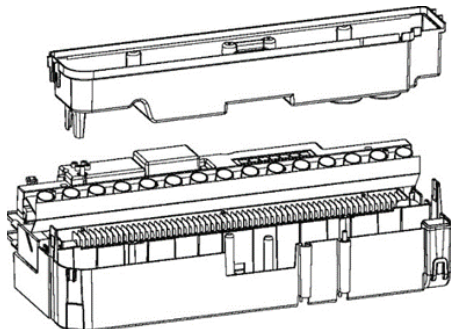
- Desconecte los 2 conectores, ubicados en el lado derecho del depósito de agua.



- Suelte los 2 broches en ambos lados y retire la boquilla.



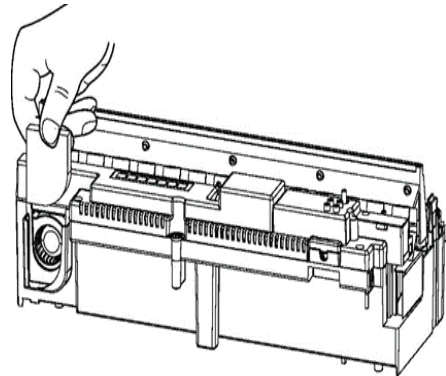
- Levante suavemente el colector de agua sin derramar agua.



- Retire los transductores y vacíe el depósito de agua.
- Limpie y enjuague el depósito y los transductores:
 - Coloque una pequeña cantidad de detergente líquido en el depósito.
 - Use un cepillo suave para limpiar el depósito.
 - Limpie los transductores, incluidos los discos que se encuentran debajo del cono. Retire el cono girándolo hacia la derecha.
 - Enjuague bien el depósito de agua con agua limpia para eliminar todos los restos de detergente.
- Limpie la boquilla con un cepillo suave y enjuague bien con agua.
- Invierta los pasos para volver a montar.

Limpieza del filtro de aire

- Deslice suavemente el filtro de aire hacia arriba para sacarlo de su soporte de plástico.



- Enjuague suavemente con agua en el fregadero y seque con una toalla de tela antes de regresarlo.
- Vuelva a colocar el filtro asegurándose de que el filtro negro grueso esté mirando hacia la parte frontal del fuego.
- Coloque el lecho de combustible y el vidrio frontal (consulte las instrucciones en la sección *Preparación de la chimenea para su colocación*).



Mantenimiento

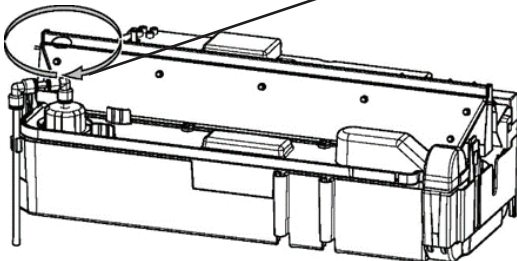
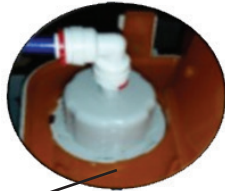
Reemplazo de transductores

⚠ ADVERTENCIA: Siempre presione el interruptor principal en la posición APAGADO y desconecte la fuente de alimentación antes de limpiar el depósito de agua.

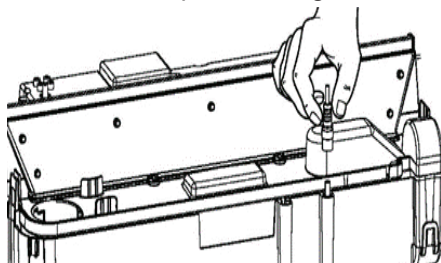
! NOTA: Los transductores se fijan en el depósito de agua con broches de plástico.

Para reemplazar los transductores:

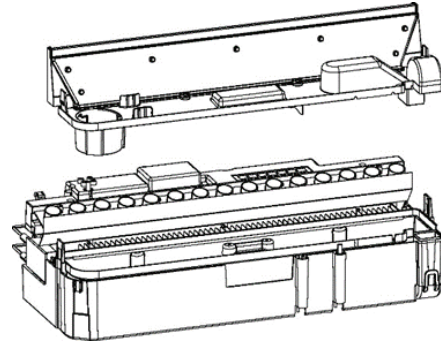
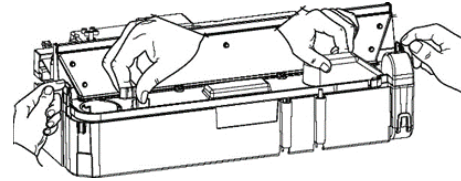
1. Retire el vidrio delantero y el lecho de combustible (consulte las instrucciones en la sección *Preparación de la chimenea para su colocación* en la página 8).
2. Desconecte la tapa de llenado (gire hacia la derecha).



3. Desconectar los 2 conectores, localizados en el lado derecho del depósito de agua.



4. Suelte los 2 broches de ambos lados y retire la boquilla.



5. Presione el broche hacia atrás y levante el transductor hacia arriba para extraerlo de su soporte.
6. Coloque los nuevos transductores.
7. Repita los pasos anteriores en orden inverso para volver a ensamblar.

Limpieza de filtro de malla

1. Cierre el suministro de agua.
2. Cierre las válvulas de bola.
3. Destornille la base y limpie el filtro interior.

Reemplazo de filtro en línea

1. Cierre el suministro de agua.
2. Cierre las válvulas de bola.
3. Reemplace el filtro en línea.

! NOTA: Asegúrese de colocar el filtro en la alineación correcta. Haga coincidir la marca de dirección de "flujo" en el filtro.



Mantenimiento

Restablecer la válvula de absorción

La válvula de absorción se encuentra en el lado frontal derecho en la parte inferior de la unidad de la chimenea.



Para restablecer la válvula de absorción:

1. Retire la pastilla de absorción activada.
2. Arreglar la causa de la fuga de agua.
3. Retire el agua del fondo del depósito de agua.
4. Coloque la nueva pastilla.
5. Presione hacia abajo la pieza de sujeción blanca para abrir la válvula de absorción.



Solución a problemas

Síntoma	Causa	Acción
El efecto de flamas no comienza.	Los transductores no están conectados correctamente.	Asegúrese de que los conectores estén insertados correctamente.
El e-MatriX no enciende o dejó de funcionar y los LED parpadean continuamente dos veces.	Bajo nivel de agua.	Asegúrese de que todas las válvulas de bola estén abiertas. Consulte <i>Revise las conexiones de agua para detectar fugas</i> en la página 15.
	La válvula de absorción está activada	Consulte <i>Revise las conexiones de agua para detectar fugas</i> en la página 15 Consulte <i>Restablecer la válvula de absorción</i> en la página 22
El e-MatriX no funciona, los LED parpadean continuamente una vez cada ocho segundos.	Nivel de agua demasiado alto.	Retire el agua del depósito de manera que quede entre las marcas de agua altas y bajas. Compruebe la válvula electromecánica en la caja de control.
e-MatriX no funciona, los LED parpadean continuamente cuatro veces.	El tiempo de llenado del agua es demasiado largo.	Ponga el interruptor de principales de la caja de control en la posición APAGAR. Revise las conexiones por fugas de agua. Cierre las válvulas de bola. Desenrosque la base del filtro de malla y elimine la suciedad o los residuos.
El efecto de la llama es demasiado bajo en el ajuste más alto.	Los transductores y/o el filtro de aire están sucios.	Consulte <i>Limpieza de filtro de air</i> en la página 20 y <i>Reemplazo de transductores</i> en la página 21
	No hay suficiente ventilación debajo de la chimenea	Consulte <i>Enmarcado de la Chimenea</i> en la página 10
El efecto de la llama es demasiado alto y hay demasiado humo.	No hay el filtro de aire	Consulte <i>Limpieza del Filtro de Aire</i> en la página 20
El control remoto no funciona.	Baterías bajas	Coloque las baterías nuevas.
	El control remoto no está emparejado con el receptor.	Consulte <i>Emparejar el control remoto</i> en la página 18.
	El control remoto está demasiado lejos del receptor del control remoto.	Consulte <i>Control remoto</i> en la página 18.

Diagrama de cableado de la chimenea

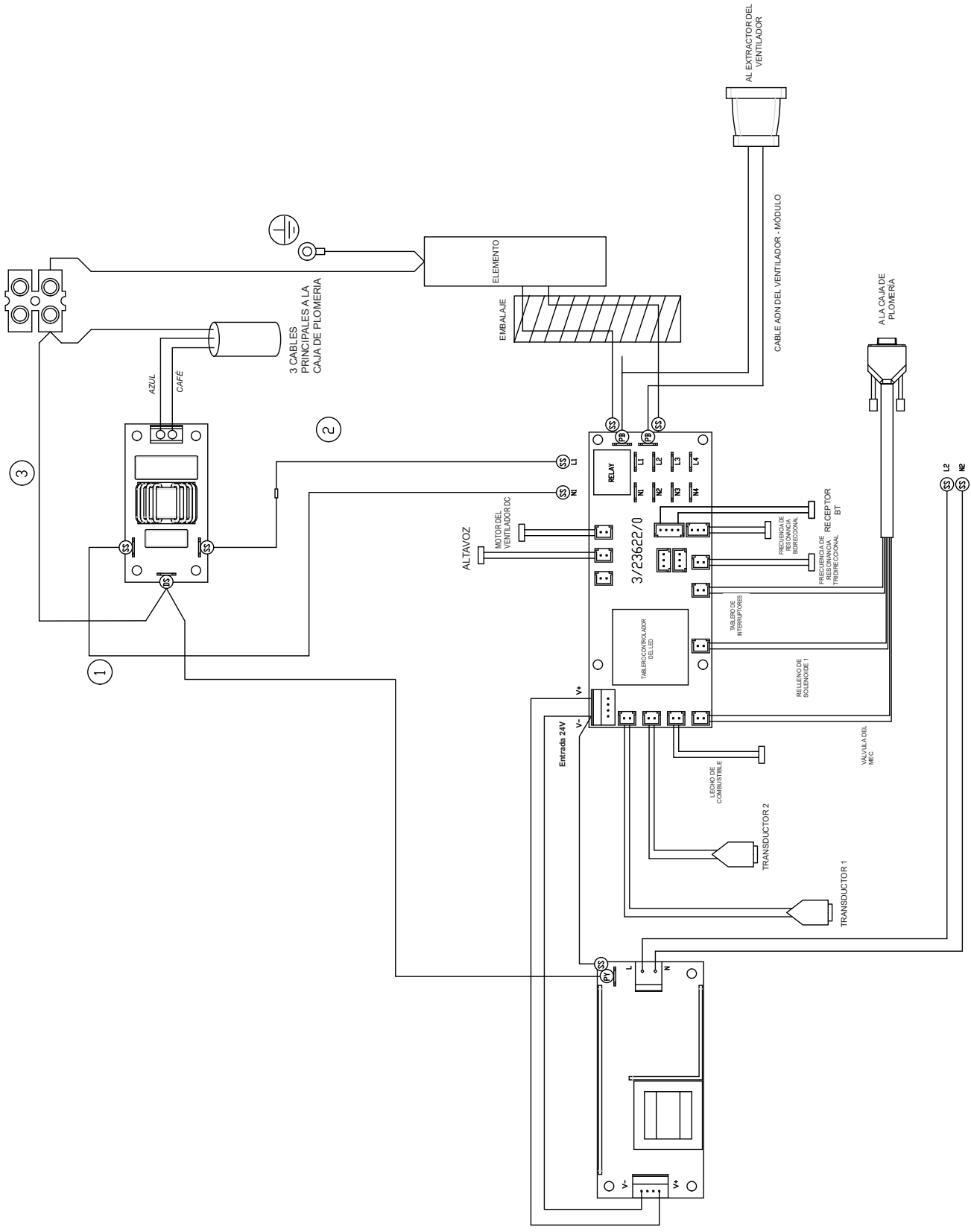


Diagrama de cableado de la caja de control

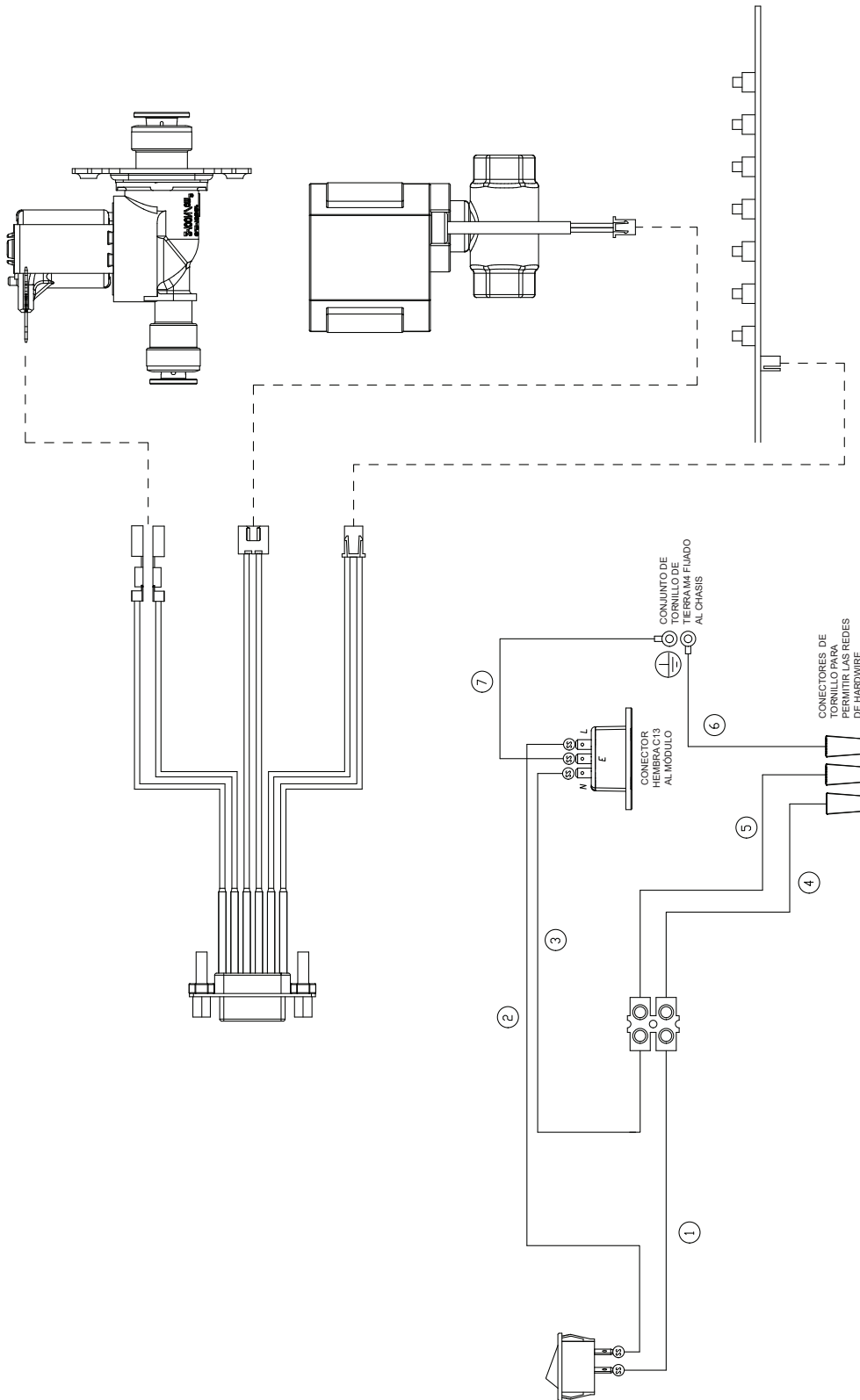
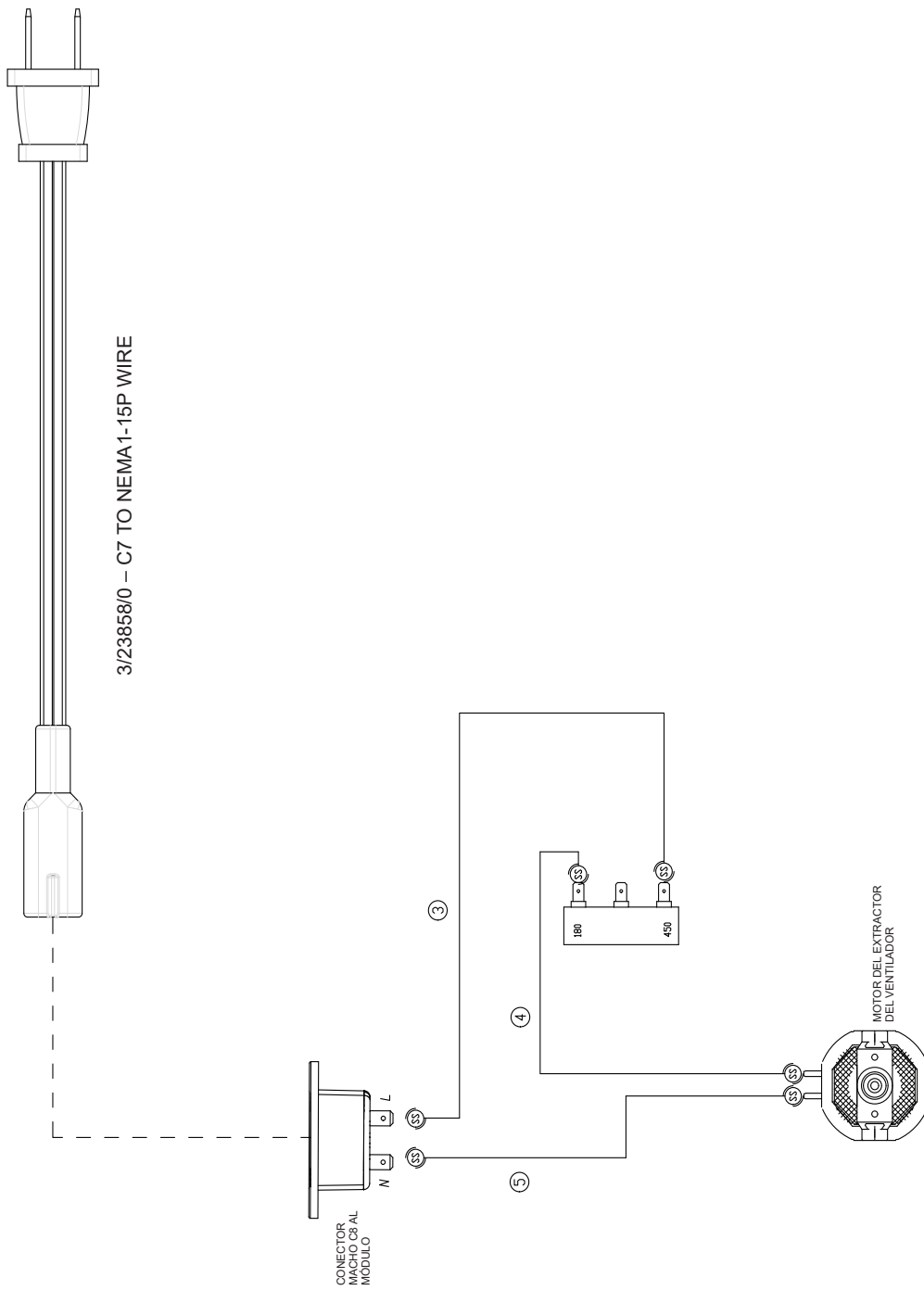


Diagrama de cableado del ventilador



Garantía limitada de cinco años

Productos a los que aplica esta garantía limitada

Esta garantía limitada aplica a su chimenea Faber e-MatriX recién comprada. Esta garantía limitada se aplica solo a las compras realizadas en cualquier provincia de Canadá, excepto para el territorio de Yukon, Nunavut o los territorios del noroeste o en cualquiera de los 50 estados de los E.U.A (y el Distrito de Columbia), excepto Hawai y Alaska. Esta garantía limitada aplica al comprador original del producto y es completamente transferible a los propietarios subsiguientes. Esta garantía debe permanecer con la chimenea Faber e-MatriX para que los propietarios posteriores tengan acceso a esta información. La siguiente información debe presentarse junto con el comprobante de compra en caso de que se requiera algún servicio de garantía en el futuro.

Nombre del dueño:

- Dirección de instalación:
- (Número/Calle/Ciudad/Estado/Prov/Código postal)
- Número de modelo:
- Número de serie:
- Fecha de compra:
- Lugar de compra:

Productos excluidos de esta garantía limitada

La chimenea solo está cubierta para el transporte al usuario final y no se cubrirá si el daño ocurre durante la operación y/o mantenimiento normal. Los productos comprados en el territorio de Yukon, Nunavut, los territorios del noroeste, Hawai o Alaska no están cubiertos por esta garantía limitada. Los productos comprados en estos Estados, provincias o territorios se venden TAL CUAL, sin garantía ni condición de ningún tipo (incluyendo, sin limitación, cualquier garantía implícita o condiciones de comercialización o adecuación para un propósito particular) y todo el riesgo en cuanto a la calidad y el rendimiento de los productos es con el comprador, y en caso de un defecto, el comprador asume el costo total de todos los servicios o reparaciones necesarios.

Lo que cubre esta garantía limitada y por cuánto tiempo

Los productos cubiertos por esta garantía limitada se han probado e inspeccionado antes del envío. Sujeto a las disposiciones de esta garantía, Glen Dimplex Americas garantiza que dichos productos están libres de defectos en el material y la mano de obra por un período de 5 años a partir de la fecha de la primera compra de dichos productos de la siguiente manera:

- garantía de reparación o reemplazo de productos o piezas defectuosas, incluidos los servicios a domicilio, durante el primer año posterior a la fecha de la primera compra.
- a partir de entonces, un reemplazo de productos y piezas (sin servicios a domicilio) por el período de 1 año que comienza en el primer aniversario de la

primera compra y termina en el segundo aniversario de la fecha de la primera compra.

- a partir de entonces, una garantía de reparación o reemplazo del vidrio defectuoso y el chasis de la chimenea donde la perforación es visible (sin servicio a domicilio) por un período de 3 años a partir del segundo aniversario de la fecha de la primera compra y hasta el quinto aniversario de la fecha de primera compra.

El período de garantía limitado de 5 años para los productos también aplica a cualquier garantía implícita que pueda existir bajo la ley aplicable. Algunas jurisdicciones no permiten limitaciones en cuanto a la duración de una garantía implícita, por lo que la limitación anterior puede no aplicarse al comprador.

Lo que esta garantía limitada no cubre

Esta garantía limitada no aplica a los productos que han sido reparados (excepto por Glen Dimplex Americas o sus representantes de servicio autorizados) o alterados de otro modo. Esta garantía limitada tampoco se aplica a los defectos resultantes del mal uso, abuso, accidente, negligencia, instalación incorrecta, mantenimiento o manejo incorrectos, u operación con una fuente de energía incorrecta.

Lo que debe hacer para obtener servicio bajo esta garantía limitada

Los defectos deben comunicarse al Servicio Técnico de Glen Dimplex Americas llamando a Glen Dimplex Americas al 1-888-346-7539, o en línea en www.faberfire.com/customer_support. Tenga a mano el comprobante de compra, el catálogo/modelo y los números de serie al llamar. El servicio de garantía limitada requiere una prueba de compra del producto.

Lo que Glen Dimplex Americas hará en caso de defecto

En el caso de que se demuestre que un producto o pieza cubierta por esta garantía limitada es defectuosa en material o mano de obra durante el período de garantía limitada de 5 años, usted tiene los siguientes derechos:

- Glen Dimplex Americas, a su entera discreción, reparará o reemplazará el producto defectuoso o la pieza sin cargo alguno. Si Glen Dimplex Americas no puede reparar o reemplazar dicho producto o pieza, o si la reparación o el reemplazo no son comercialmente factibles o no se pueden realizar a tiempo, Glen Dimplex Americas puede, en lugar de reparar o reemplazar, optar por reembolsar el precio de compra de dichos productos o pieza.
- El servicio de garantía limitada se realizará únicamente por los concesionarios o agentes de servicio de Glen Dimplex Americas autorizados para proporcionar servicios de garantía limitada.
- Para el período que finaliza a la medianoche del primer aniversario de la fecha de la primera compra, Glen Dimplex Americas, a su entera discreción, reparará o reemplazará el producto defectuoso o la pieza sin cargo alguno. Si Glen Dimplex Americas no puede reparar o reemplazar dicho producto o

pieza, o si la reparación o el reemplazo no son comercialmente factibles o no se pueden realizar a tiempo, Glen Dimplex Americas puede, en lugar de reparar o reemplazar, optar por reembolsar el precio de compra de dichos productos o pieza. Esta garantía limitada da derecho al comprador a los servicios de garantía en el sitio o en el hogar. En consecuencia, Glen Dimplex Americas será responsable de todos los costos de mano de obra y transporte asociados con la reparación o el reemplazo del producto o la pieza, excepto lo siguiente: (i) se pueden cobrar cargos por los gastos de viaje incurridos para viajar al sitio del comprador donde se encuentra el producto ubicado si el sitio del comprador está a más de 30 millas (48 km) del depósito de servicio más cercano del distribuidor o agente de servicio de Glen Dimplex Americas; y (ii) el comprador es el único responsable de proporcionar un acceso claro a todas las partes reparables del producto.

- Para el período que comienza a las 12:01 a.m. del día posterior al primer aniversario de la primera compra y finaliza a la medianoche del segundo aniversario de la fecha de la primera compra, esta garantía limitada da derecho al comprador a las piezas de repuesto únicamente sin cargo. Si Glen Dimplex Americas no puede reemplazar dicha parte, o si la sustitución no es comercialmente practicable o no se puede realizar a tiempo, Glen Dimplex Americas puede, en lugar de la sustitución, optar por reembolsar el precio de compra de dicha pieza. El comprador no tendrá derecho a servicios de garantía en el sitio o en el hogar. El comprador será responsable de todos los gastos incurridos por la eliminación de la pieza y la instalación de la pieza de repuesto, incluidos, entre otros, todos los costos de envío y los costos de transporte desde y hacia la ubicación del distribuidor autorizado o del agente de servicio y todos los costos de mano de obra. Dichos costos no serán responsabilidad de Glen Dimplex Americas.
- Para el período que comienza a las 12:01 am del día posterior al segundo aniversario de la primera compra y finaliza a la medianoche del quinto aniversario de la fecha de la primera compra, esta garantía limitada da derecho al comprador a reemplazar solo las piezas del vidrio y chasis de la chimenea sin cargo. Si Glen Dimplex Americas no puede reemplazar dicha parte, o si la sustitución no es comercialmente practicable o no se puede realizar a tiempo, Glen Dimplex Americas puede, en lugar de la sustitución, optar por reembolsar el precio de compra de dicha pieza. El comprador no tendrá derecho a servicios de garantía en el sitio o en el hogar. El comprador será responsable de todos los gastos incurridos por la eliminación de la pieza y la instalación de la pieza de repuesto, incluidos, entre otros, todos los costos de envío y los costos de transporte desde y hacia la ubicación del distribuidor autorizado o del agente de servicio y todos los costos de mano de obra. Dichos costos no serán responsabilidad de Glen Dimplex Americas.

Lo que Glen Dimplex Americas y sus distribuidores y agentes de servicio tampoco son responsables de:

EN NINGÚN CASO GLEN DIMPLEX AMERICAS, O SUS DIRECTORES, FUNCIONARIOS O AGENTES, SERÁN RESPONSABLES DEL COMPRADOR O DE CUALQUIER TERCERO. YA SEA EN CONTRATO, POR MEDIOS EXTRA CONTRACTUALES, O POR CUALQUIER OTRO FUNDAMENTO, POR CUALQUIER PÉRDIDA O COSTO O DAÑO INDIRECTO, INDIRECTO, ESPECIAL, PUNITIVO, EJEMPLAR, CONSECUENTE O INCIDENTAL RESULTANTE DE O EN RELACIÓN CON LA VENTA, MANTENIMIENTO, USO, O INCAPACIDAD PARA EL USO DEL PRODUCTO, INCLUSO SI GLEN DIMPLEX AMERICAS O SUS DIRECTORES, FUNCIONARIOS, O AGENTES HAN SIDO INFORMADOS DE LA POSIBILIDAD DE DICHAS PÉRDIDAS, COSTOS O DAÑOS, O SI DICHAS PÉRDIDAS, COSTOS O DAÑOS SON PREVISIBLES. EN NINGÚN CASO GLEN DIMPLEX AMERICAS, O SUS FUNCIONARIOS, DIRECTORES O AGENTES SERÁN RESPONSABLES POR CUALQUIER PÉRDIDA DIRECTA, COSTOS O DAÑOS QUE EXCEDAN EL PRECIO DE COMPRA DEL PRODUCTO. ALGUNAS JURISDICCIONES NO PERMITEN LA EXCLUSIÓN O LIMITACIÓN DE DAÑOS INCIDENTALES O CONSECUENTES, POR LO QUE LA LIMITACIÓN O EXCLUSIÓN ANTERIOR PUEDE NO APLICARSE AL COMPRADOR.

Cómo aplican las leyes estatales y provinciales

Esta garantía limitada le otorga derechos legales específicos, y también puede tener otros derechos que varían de una jurisdicción a otra. Las disposiciones de la Convención de las Naciones Unidas sobre Contratos para la Venta de Bienes no se aplicarán a esta garantía limitada ni a la venta de productos cubiertos por esta garantía limitada.



Soporte Técnico

El soporte técnico y de solución de problemas, así como una lista de piezas de repuesto se pueden encontrar en:

www.faberfire.com/customer_support

1-888-346-7539



1-888-346-7539 | www.faberfire.com

De acuerdo con nuestra política de constante perfeccionamiento del producto, nos reservamos el derecho de hacer cambios sin previo aviso.

© 2019 Glen Dimplex Americas

Glen Dimplex 
AMERICAS
Intensificando los momentos importantes de la vida