

There is  
**so much to tell...**



FEF3226L2L

The wonderful feel of a burning log fire. The place where you can relax, meet, recharge your batteries and share. When a gas fire or wood stove is impossible or undesirable, or for those who prefer "individual design" and specific choices, Faber has the new e-Matrix; Astonishing fire... from water. Fire for anybody, anywhere.



# FEF3226L2L (left)



## Two-Sided Built-in Electric Firebox



**Logs**  
Realistic charred log set to maximize the illusion of depth and the appearance of burning firewood. Combine with loose embers for a custom display.



**Water Connection**  
Hard plumbed to provide consistent water flow.



**Light Module**  
Provides a pulsating burn on logs for a truly lifelike effect.



**Sound Module**  
Provides the soothing sounds of fire crackling.



**Rear Wall Steel**  
Provides a solid dark interior finish.



**Remote Control**  
Uses Bluetooth wireless technology to control all fireplace features from the comfort of your chair.



FEF3226L2L (left)

### Available in gas (2020)

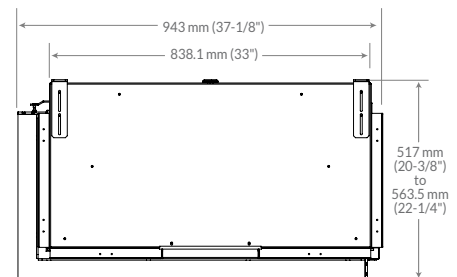
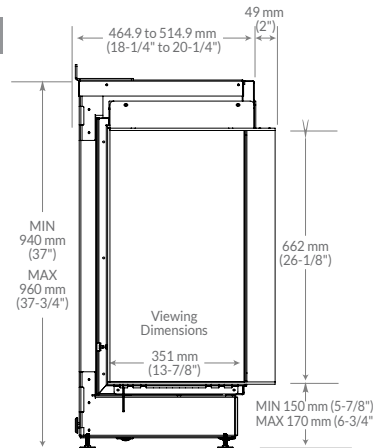
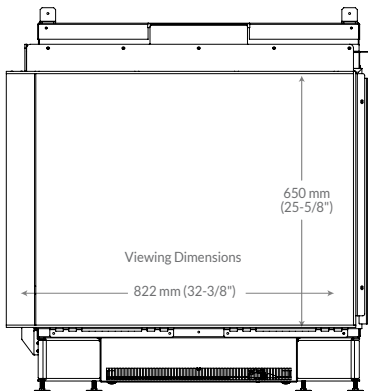


Matrix



FEF3226L2R (right)

### Product Dimensions:



120 Volts | 270 Watts

Model #	Description	UPC	Wty. <sup>†</sup>	Water consumption	Power consumption	Inlet water pressure	Water connection	Carton Dimensions (WxHxD)		Cube		Lbs/ Kg
								inches	cm	Ft <sup>3</sup>	M <sup>3</sup>	
FEF3226L2L	Two-Sided Firebox - Left	781052 132023	5 yr.	0.30 L/hr 0.08 gal/hr	0.27 kW/hr	7.5 - 115 psi	1/4"	51 x 26 x 49	129.5 x 66.0 x 124.5	37.6	1.06	297 / 136
FEF3226L2R	Two-Sided Firebox - Right	781052 132047	5 yr.	0.30 L/hr 0.08 gal/hr	0.27 kW/hr	7.5 - 115 psi	1/4"	51 x 26 x 49	129.5 x 66.0 x 124.5	37.6	1.06	297 / 136

Specifications, finishes and dimensions are subject to change. <sup>†</sup>Limited warranty.

©2020 Glen Dimplex Americas  
SE-436-R03-070920



Glen Dimplex Americas 1-800-668-6663 | www.FaberFire.com