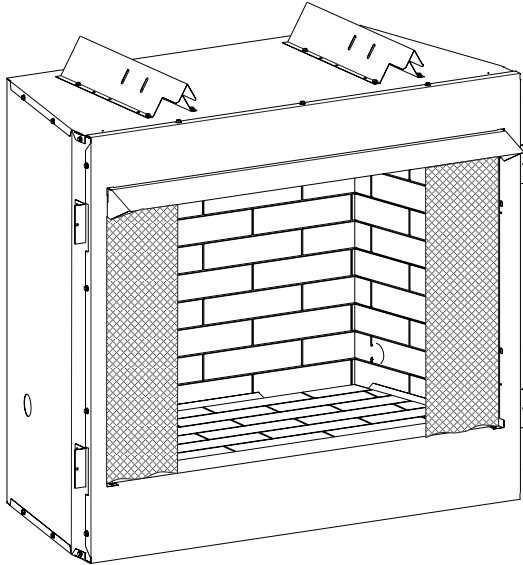


EMPIRE

COMFORT SYSTEMS

INSTALLATION INSTRUCTIONS AND OWNER'S MANUAL

Premium Ventless Universal Fireboxes



OUTDOOR VENTLESS FIREBOX

OP32FB2MF-2
OP36FB2MF-2
OP42FB2MF-2



NATIONAL
FIREPLACE
INSTITUTE



CERTIFIED
www.nficertified.org

We suggest that our gas hearth products be installed and serviced by professionals who are certified in the U.S. by the National Fireplace Institute® (NFI) as NFI Gas Specialists.

⚠ WARNING

For Outdoor Use Only.

⚠ WARNING

If not installed, operated and maintained in accordance with the manufacturer's instructions, this product could expose you to substances in fuel or from fuel combustion which can cause death or serious illness.

⚠ WARNING

If you smell gas:

1. Shut off gas to the appliance.
2. Extinguish any open flame.
3. If odor continues, keep away from the appliance and immediately call your gas supplier or fire department.

⚠ WARNING

Do not store or use gasoline or other flammable vapors and liquids in the vicinity of this or any other appliance.

An LP-cylinder not connected for use shall not be stored in the vicinity of this or any other appliance.

Installer: Leave this manual with the appliance.
Consumer: Retain this manual for future reference.

- Do not store or use gasoline or other flammable vapors and liquids in the vicinity of this or any other appliance.
- Installation and service must be performed by a qualified installer, service agency or the gas supplier.

⚠ WARNING

If the information in these instructions are not followed exactly, a fire or explosion may result causing property damage, personal injury or loss of life.

⚠ WARNING

Improper installation, adjustment, alteration, service or maintenance can cause injury or property damage. Read the installation, operating and maintenance instructions thoroughly before installing or servicing this equipment.

TABLE OF CONTENTS

SECTION	PAGE
Important Safety Information.....	3
Introduction	4-5
Clearances	6
Combustible Materials.....	6
Outer Firebox Dimensions	7
Inner Firebox Dimensions	8
Planning Installation	9-10
Firebox Framing and Installation.....	10-11
Gas Line Connection.....	12
Master Parts Distributor List.....	13
How To Order Repair Parts	13
Parts List	14
Parts View	15
Warranty Terms	16

IMPORTANT SAFETY INFORMATION

- **Installer:** Please leave these instructions with the owner for future reference
- This unit complies with ANSI Z21.97/CSA 2.41 and CSA 4.96 U.S. for Outdoor Gas Fireboxes.
- Children and adults should be alerted to the hazard of high surface temperature and should stay away to avoid burns or clothing ignition.
- Young children should be carefully supervised when they are in the same area with the appliance.
- Clothing or other flammable materials should not be hung from the appliance, or placed on or near the appliance.
- Installation and repair should be done by a **QUALIFIED SERVICE PERSON**. This appliance should be inspected before use and at least annually by a professional service person. More frequent cleaning may be required due to insects, pollen build up, dust, etc. It is imperative that the control compartments, burners, and circulating air passageways of the appliance be kept clean.
- Do not place trash, logs, or other articles on the log set during operation.
- During manufacturing, fabricating and shipping, various components of this appliance are treated with certain oils, films or bonding agents. These agents are not harmful, but may produce annoying smoke and smells as they are burned off during initial operation of the appliance. This is a normal temporary occurrence.
- **WARNING:** Keep appliance area clear and free from combustible materials, gasoline and other flammable vapors and liquids.
- **WARNING:** Any modification to this gas log set or to controls can be dangerous. Improper installation or use of the gas log set can cause serious injury or death from fire, burns, explosion or carbon monoxide poisoning.
- Follow all local codes regarding installation, combustion and ventilation air or in the absence of local codes follow the National Fuel Gas Code ANSI Z223.1 (US installation), or CAN/CGA-B149, installation Code (Canada installation).
- Do not operate this log set with glass doors in the closed position. A firebox screen must be in place when the log set is burning.
- Inspect the hose before each use of the appliance.
 - The hose assembly must be replaced prior to the appliance being into operation if there is evidence of excessive abrasion or wear, or if the hose is damaged.
- Inspect the burner at least once a year.

DO NOT OPERATE THIS APPLIANCE WITH GLASS DOORS CLOSED.

▲ DANGER: Indicates a hazardous situation which, if not avoided, will result in death or serious injury.

▲ WARNING: Indicates a hazardous situation which, if not avoided, could result in death or serious injury.

▲ CAUTION: Indicates a hazardous situation which, if not avoided, could result in minor or moderate injury.

NOTICE: Addresses practices not related to personal injury.

- Children and adults should be alerted to the hazards of high surface temperatures and should stay away to avoid burns or clothing ignition.
- Young children should be carefully supervised when they are in the same area as the appliance.
- Clothing or other flammable material should not be placed on or near the appliance.
- Do not place trash or other articles on the log set during operation.
- During manufacturing, fabricating and shipping, various components of this appliance are treated with certain oils, films or bonding agents. These bonding agents are not harmful but may produce annoying smoke and smells as they are burned off during initial operation of the appliance. This is a normal temporary occurrence.
- Keep burner and control compartment clean.
- Installation and repair should be done by a **QUALIFIED SERVICE PERSON**. The appliance should be inspected before use and at least annually by a qualified service person. More frequent cleaning may be required due to excessive lint from carpeting, bedding materials, etc. It is imperative that control compartments, burners and circulating air passageways of the appliance be kept clean.
- **DO** keep the appliance area clear and free from combustible material, gasoline and other flammable vapors and liquids.
- A yearly examination and cleaning of the venting system of the solid-fuel burning firebox must be performed by a qualified agency.
- **DO** make a periodic visual check of pilot and burners. Clean and replace damaged parts.
- **DO NOT** use this appliance if any part has been under water. Immediately call a qualified service technician to inspect the appliance and to replace any part of the control system and any gas control which has been under water.

INTRODUCTION

Instructions to Installer

1. Installer must leave instruction manual with owner after installation.
2. Installer must have owner fill out and mail registration card supplied with this firebox.

Always consult your local Building Department regarding regulations, codes or ordinances which apply to the installation of an ventless room heater.

*Aftermarket: Completion of sale, not for purpose of resale, from the manufacturer.

This appliance is only for use with the type of gas indicated on the rating plate.

WARNING

ANY CHANGE TO THIS APPLIANCE OR ITS CONTROLS CAN BE DANGEROUS.

Improper installation or use of the appliance can cause serious injury or death from fire, burns, explosion or carbon monoxide poisoning.

This series is design certified in accordance with American National Standard Z21.97 as an Outdoor Ventless Firebox and should be installed according to these instructions.

Note: This firebox has been tested and approved up to 50,000 BTU's. DO NOT USE WITH LOG SETS OVER 50,000 BTU's.

Any alteration of the original design, installed other than as shown in these instructions is the responsibility of the person and company making the change.

Important

All correspondence should refer to complete Model Number, and Serial Number.

Moisture Resistance

This outdoor firebox will shed moderate amounts of water, but is not waterproof. Water and condensing water vapor may enter the chase under certain conditions.

The firebox will not perform as an exterior wall. Moisture penetration must be considered for construction that places the firebox in structure walls or on moisture sensitive surfaces.

When installed on exterior walls: Empire Comfort Systems recommends the firebox chase be constructed outside the structure's weather envelope. Where the platform meets the wall, use a flashing detail similar to that required for attached decks. Chase platforms, including hearths should slope away from the structure at 1/4 in per foot. The firebox can be shimmed level.

When installed on surfaces where water may collect or cause damage: Empire Comfort Systems recommends a slope of 1/8 in to 1/4 in per foot towards the drain port suggested. The firebox can be shimmed level.

Hearths should slope away from the front of the firebox and chase at 1/8 in to 1/4 in per foot. Metal safety strips must be on top of any combustible hearth materials used for moisture management.

When purchasing a firebox or fireplace we recommend you also buy a weather cover or glass door accessory to protect the unit from moisture. Never install a burner where moisture cannot drain off easily. We recommend a weather barrier - such as a cover or bifold glass doors - to protect the burner from moisture.

Screened Porch Installation

The firebox may be installed safely and is design certified by UL to be installed in a screen porch with the following guidelines.

Minimum Porch Area	96 sq. feet (9 sq m)
Minimum Ceiling Height	92" (234 cm)

See page 9.

Installation on Rugs and Tile

If this appliance is installed directly on carpeting, tile or other combustible material other than wood flooring the appliance shall be installed on a metal or wood panel extending the full width and depth of the appliance.

The base referred to above does not mean the fire-proof base as used on wood stoves. The protection is for rugs that are extremely thick and light colored tile.

Solid-fuels shall not be burned in a masonry or *UL 127* factory-built firebox in which a ventless room heater is installed.

Qualified Installing Agency

Installation and replacement of gas piping, gas utilization equipment or accessories and repair and servicing of equipment shall be performed only by a qualified agency. The term "qualified agency" means any individual, firm, corporation or company which either in person or through a representative is engaged in and is responsible for (a) the installation or replacement of gas piping or (b) the connection, installation, repair or servicing of equipment, who is experienced in such work, familiar with all precautions required and has complied with all the requirements of the authority having jurisdiction.

State of Massachusetts: The installation must be made by a licensed plumber or gas fitter in the Commonwealth of Massachusetts.

The installation must conform with local codes or, in the absence of local codes, with the National Fuel Gas Code, ANSI Z223.1.*

*Available from the American National Standards Institute, Inc. 1430 Broadway, New York, N.Y. 10018.

INTRODUCTION

- When the appliance is connected to a fixed piping system, the installation must conform with local codes, or in the absence of local codes with the *National Fuel Gas Code, ANSI Z223.1/NFPA 54*, or *International Fuel Gas Code*.
- When installed, the appliance must be electrically grounded in accordance with local codes, or in the absence of local codes with the *National Electrical Code, ANSI/NFPA 70*, if applicable.
- Solid fuels shall not be burned in this appliance.
- The maximum gas inlet supply pressure is 13" for LP and 10.5" for NAT.
- For appliances for fixed fuel piping system and equipped with an appliance gas pressure regulator, the required manifold pressure in inches water column: 10" for LP and 3.5" NAT.
- For appliances for fixed fuel piping system and equipped with an appliance gas pressure regulator, the appliance and its individual shutoff valve must be disconnected from the gas supply piping system during any pressure testing of that system at test pressures in excess of 1/2 psi (3.5 kPa). The appliance must be isolated from the gas supply piping system by closing its individual manual shutoff valve during any pressure testing of the gas supply piping system at test pressures equal to or less than 1/2 psi (3.5 kPa).

For an appliance designed for use with a non-disposable self-contained LP-gas supply system:

- Propane cylinders may be acceptable for use with the appliance provided they are compatible with the appliance retention means.
- LP-gas supply cylinder must be constructed and marked in accordance with the *U.S. Department of Transportation (D.O.T.) Specifications for LP-Gas Cylinders*, or the *Standard for Cylinders, Spheres and Tubes for Transportation of Dangerous Goods and Commission, CAN/CSA-B339* as applicable.
- LP-gas supply cylinders between 4 and 40 pounds must have an overfill prevention device.
- LP-gas supply cylinder must have a connection device compatible with the connection of the appliance.
- If the appliance is equipped with a CGA No. 600 Cylinder Connection Device, the cylinder must be disconnected when the appliance is not in use.
- If appliance is to be permanently connected to a gas piping system from a remote supply tank, installation must be in accordance with local codes or, in the absence of local codes, with the *National Fuel Gas Codes ANSI Z223.1/NFPA 54*.

Enclosures for LP-gas supply cylinders shall be ventilated by openings at the level of the cylinder valve and at floor level. The effectiveness of the opening(s) for purposes of ventilation shall be determined with the LP-gas supply cylinder(s) in place. This shall be accomplished by one of the following.

- a. One side of the enclosure shall be completely open; or
 - b. For an enclosure having four sides, a top and a bottom:
 1. At least two ventilation openings at cylinder valve level shall be provided in the side wall, equally sized, spaced at 180 degrees (3.14rad), and unobstructed. Each opening shall have a total free area of not less than 1/2 square inch per pound (2.3 sq. cm/kg) of stored fuel capacity and not less than a total free area of 10 square inches (64.5 sq. cm).
 2. Ventilation opening(s) shall be provided at floor level and shall have a total free area of not less than 1/2 square inch per pound (3.2 sq. cm/kg) of stored fuel capacity and not less than a total free area of 10 square inches (64.5 sq. cm). If ventilation openings at floor level are in a side all, there shall be at least two openings. The bottom of the openings shall be at floor level and the upper edge no more than 5 inches (127 mm) above the floor. The openings shall be equally sized, spaced at 180 degrees (3.14 rad) and unobstructed.
 3. Every opening shall have minimum dimensions so as to permit the entrance of a 1/8 inch (3.2 mm) diameter rod.
- Cylinder valves shall be readily accessible for hand operation. A door on the enclosure to gain access to the cylinder valves is acceptable, provided it is non-locking and can be opened without the use of tools.
 - There shall be a minimum clearance of 2 inches (51 mm) between the lower surface of the floor of the LP-gas supply cylinder enclosure and the ground.
 - The design of the appliance shall be such that (1) the LP-gas supply cylinder(s) can be connected, disconnected and the connections inspected and tested outside the cylinder enclosure; and (2) those connections which could be disturbed when installing the cylinder(s) in the enclosure can be leak tested inside the enclosure;

Cleaning Instructions

This appliance is built using mostly high-grade stainless steel to resist rust-through. In outdoor applications, all stainless steel will develop a dull patina and, depending on the local environment and on the materials used in the installation, may develop some surface oxidation (rust). This does not affect the performance of the firebox, and does not require any action to correct. If you prefer keeping your firebox front looking factory-fresh, clean it as required with stainless steel cleaner.

When installation application includes highly acidic applications such as mortar or stone etching, do not remove the protective PVC film from the stainless steel until after this application is complete. Once the film has been removed we recommend that the appliance be cleaned with a stainless steel cleaner immediately.

Please note that areas where the film has been formed (corners, hems, etc.) may require extra cleaning due to the properties of the film. Ensure that all protective film has been removed from the firebox prior to burning the appliance.

CLEARANCES

Minimum Wall and Ceiling Clearances

Sidewall and Back Clearances: The clearance from the inside of the firebox to any combustible wall should not be less than 2".

Ceiling Clearances: The ceiling height should not be less than 36" from the top of the hood.

Mantel Clearances: Ventless firebox models must use the hood supplied with the firebox. If a combustible mantel is installed, it must meet the clearance requirements detailed in Figure 1..

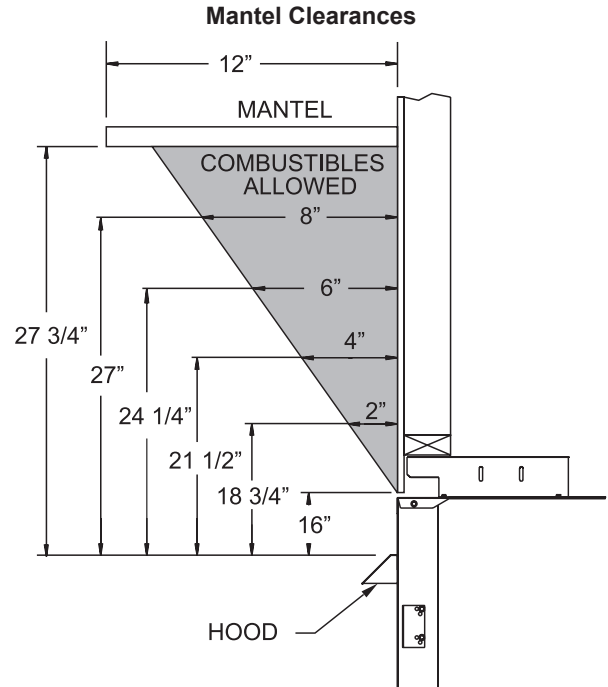


Figure 1

COMBUSTIBLE MATERIALS

Do not attach combustible material to the mantel of your firebox. This is a fire hazard.

No greeting cards, stockings or ornamentation of any type should be placed on or attached to the firebox. This is a heating appliance. The flow of heat can ignite combustibles.

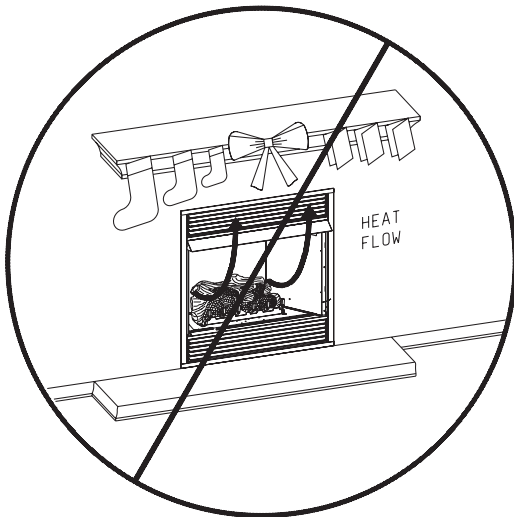


Figure 2

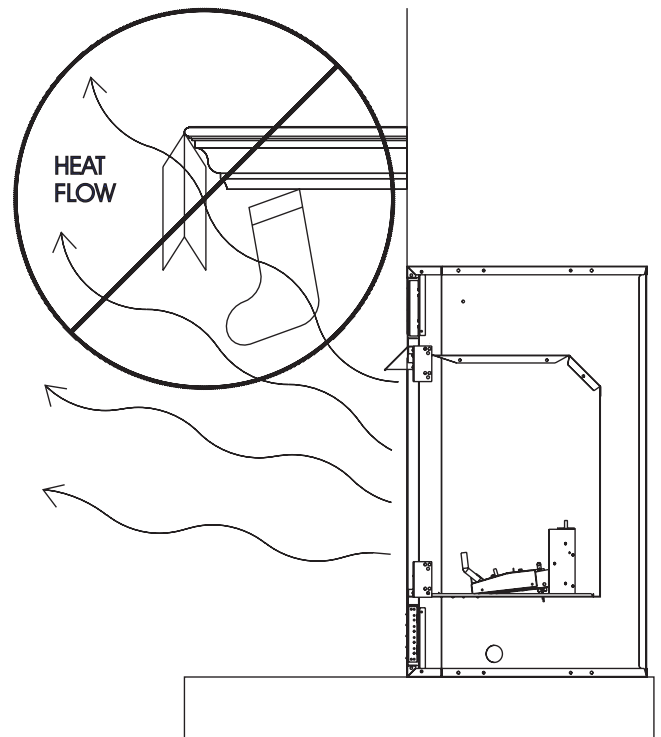
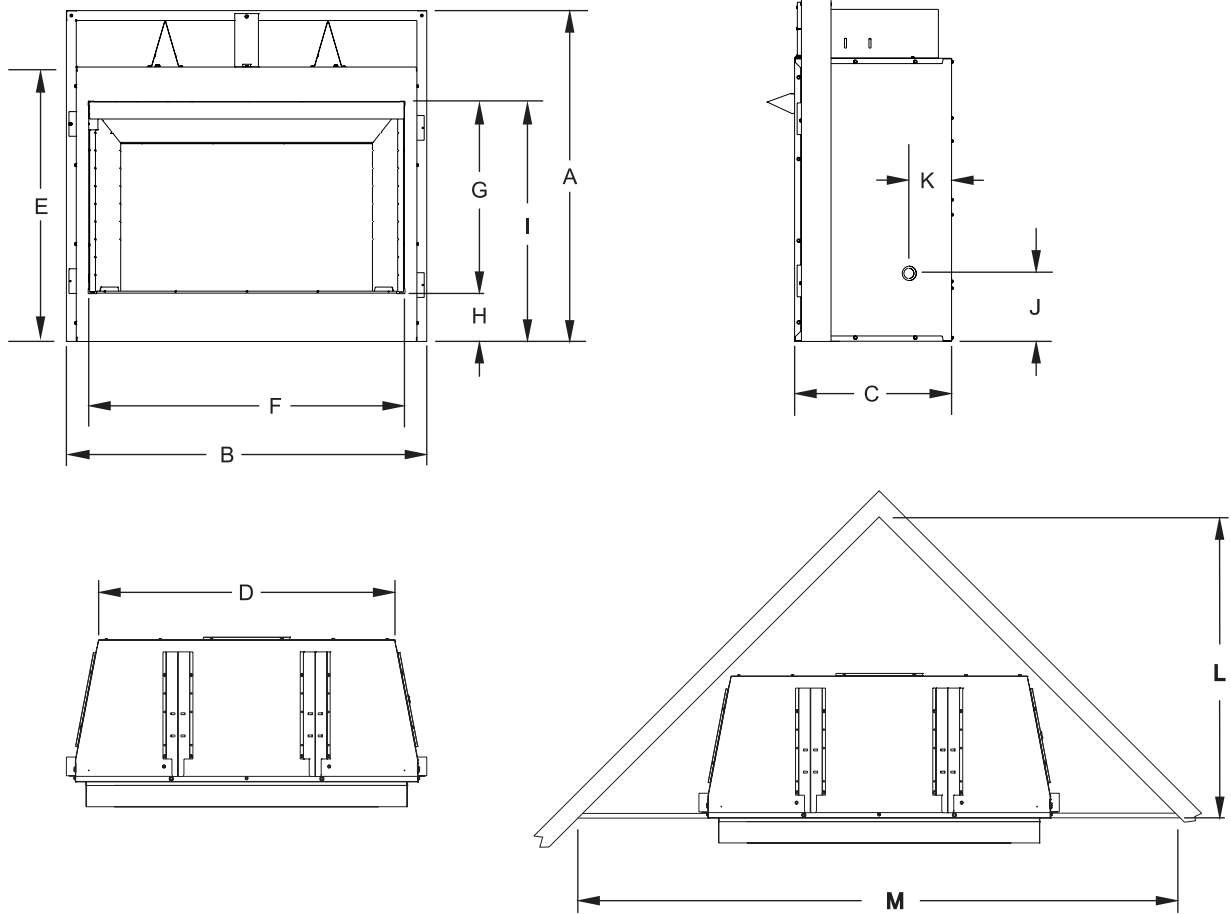


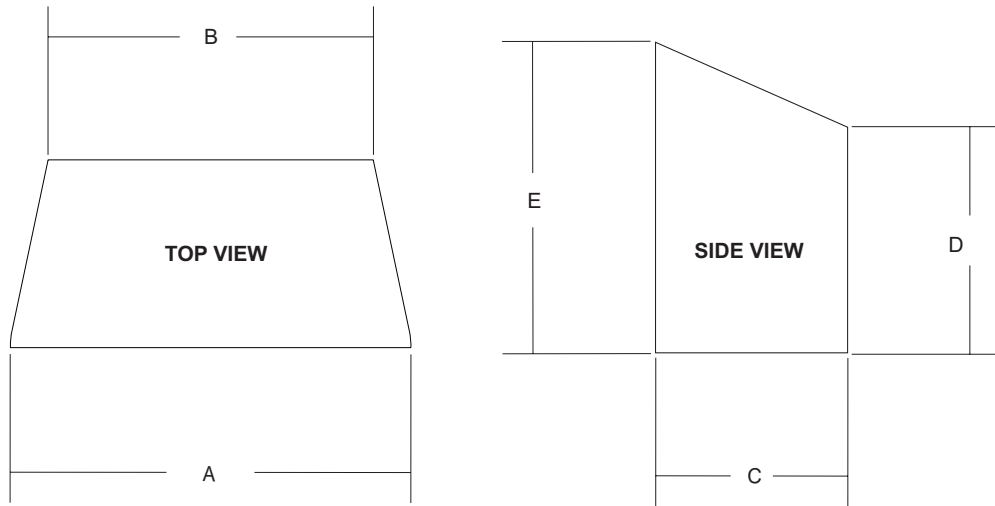
Figure 3

OUTER FIREBOX DIMENSIONS



DIMENSIONS (in inches)			
INDEX LETTER	OP32FB2MF	OP36FB2MF	OP42FBMF
A	39-7/8	41-7/8	41-7/8
B	36-5/8	41-5/8	43-1/8
C	17-1/16	19-1/4	19-1/4
D	28-1/4	32-1/4	36-1/4
E	32-7/8	34-7/8	34-7/8
F	31	36	40
G	22-1/4	24	24
H	6-1/8	6-3/8	6-3/8
I	28-3/8	30-3/8	30-3/8
J	8-3/4	8-3/8	8-3/8
K	5-7/16	5-1/4	5-1/4
L	33-1/4	37-5/8	39-5/8
M	66-7/16	75-3/8	79-1/4

INNER FIREBOX DIMENSIONS



INDEX LETTER	OP32FB2MF	OP36FB2MF	OP42FBMF
A	29 1/8"	34 1/8"	38 1/8"
B	23 5/8"	27 5/8"	31 5/8"
C	12 7/8"	15 5/16"	15 5/16"
D	17 5/16"	18 3/4"	18 3/4"
E	20 9/16"	22 9/16"	22 9/16"

PLANNING INSTALLATION

In planning the installation for the firebox, it is necessary to determine where the unit is to be installed and whether optional accessories are desired. Gas supply piping should also be planned at this time.

The firebox can be mounted on any of these surfaces:

1. A flat non-combustible surface.
2. A raised platform non-combustible material.
3. Four corners of the firebox so contact is made on all four perimeter edges on the bottom of the unit.

(Example: Four concrete masonry blocks.)

If the firebox is installed directly on carpeting, tile or other combustible material other than wood flooring, it should be installed on a metal or wood panel extending the full width and depth of the unit.

At this point, you should have decided what components to include in your installation, and where the firebox is to be located. If this has not been done, stop and consult your dealer for assistance with this planning.

This firebox is intended for installation on an outdoor patio or in your yard. This firebox shall be used only outdoors in a well ventilated space and shall NOT be used in a building, garage, or other enclosed area.

It is recommended that this firebox be installed in a “sheltered” area. Direct wind will cause an erratic flame and possible pilot or main burner outage. This erratic flame could also lead to excessive black soot. These issues are nuisance issues rather than a safety issues.

Typical installation may include covered patio, screened porch, gazebo or an outside wall of a house.

- Minimum porch area – 96 square feet
- Minimum ceiling height – 92 inches

Outdoor Firebox Enclosure Requirements

Do not install appliance until all necessary provisions are made for combustion and ventilation air. Consult the written instructions provided with the appliance for information concerning combustion and ventilation air. In the absence of instructions, refer to the National Fuel Gas Code, ANSI Z223.1/NFPA 54, Air for Combustion and Ventilation, or applicable local codes.

⚠ WARNING

This fireplace has not been tested nor approved to have a television or other electrical appliance installed above it.

Installation must conform with one of the following conditions:

- With walls on all sides, but with no overhead cover;
- Within a partial enclosure which includes an overhead cover and no more than two side walls. These side walls may be parallel, as in a breezeway or at right angles to each side; or
- Within a partial enclosure which includes an overhead cover and three sidewalls, as long as 30% or more of the horizontal periphery of the enclosures is permanently open.

The maximum BTU's for this firebox is 50,000. Verify that any appliance and/or accessory are rated for use up to 50,000 Btu before installing it into this firebox. Follow any special installation instructions that came with the appliance or accessory (i.e. clearances, combustion and ventilation air, and enclosure information).

⚠ WARNING

Improper installation, adjustment, alteration, service or maintenance can cause property damage, personal injury or loss of life. Installation and service must be performed by a qualified installer, service agency or the gas supplier.

Clearances

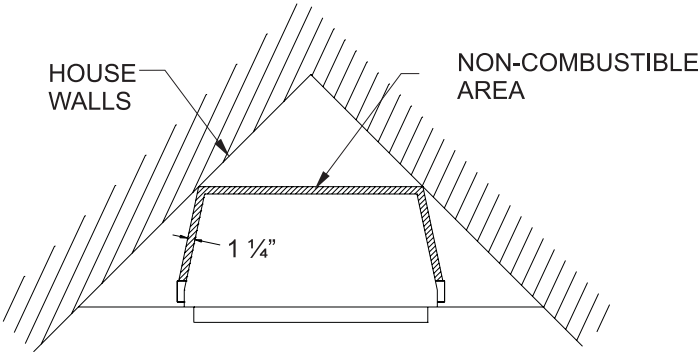


Figure 4

The front of the firebox may have 0" clearance as far back as 1/2" where studs are to be placed.

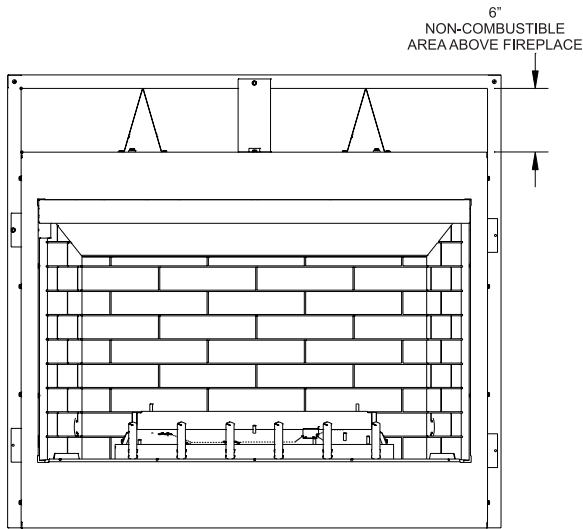


Figure 5

PLANNING INSTALLATION

Installing the Hood

A stainless steel hood is furnished with each outdoor firebox. The hood **MUST** be installed before the firebox is used. Failure to do so may create a possible fire hazard.

Finishing

Hearth extensions are recommended, not a requirement for these gas fireboxes.

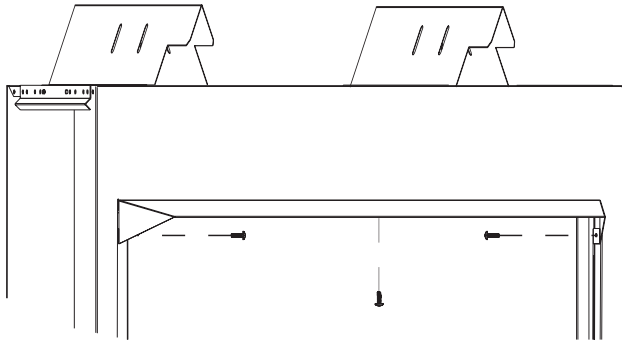


Figure 6

Cleaning Instructions

This appliance is built using mostly high-grade stainless steel to resist rust-through. In outdoor applications, all stainless steel will develop a dull patina and, depending on the local environment and on the materials used in the installation, may develop some surface oxidation (rust). This does not affect the performance of the firebox, and does not require any action to correct. If you prefer keeping your firebox front looking factory-fresh, clean it as required with stainless steel cleaner.

When installation application includes highly acidic applications such as mortar or stone etching, do not remove the protective PVC film from the stainless steel until after this application is complete. Once the film has been removed we recommend that the appliance be cleaned with a stainless steel cleaner immediately.

FIREBOX FRAMING AND INSTALLATION

Locate the three metal framing studs:

	SIDE	TOP
OP32FB	Two - 42" Stud	One - 36-5/8" Top Stud
OP36FB	Two - 42" Stud	One - 44-5/8" Top Stud
OP42FB	Two - 42" Stud	One - 45-5/8" Top Stud

1. Secure the metal studs to the frame using six #10 pan-head screws as shown in Figure 7. The channel of the studs should face as shown in Figure 7.

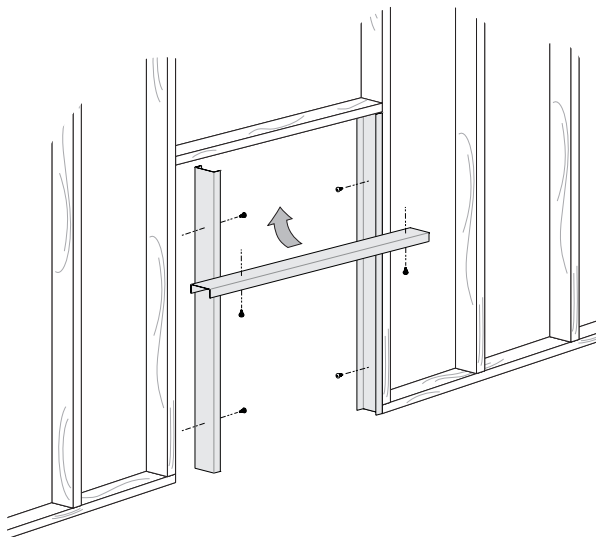


Figure 7

Note: If using a drain tray, verify framing height using the drain tray.

2. Install flanges on side of firebox as shown using holes on side of firebox. See Figure 8. The middle pair of holes is for the 1/2 inch non-combustible board provided with the unit.

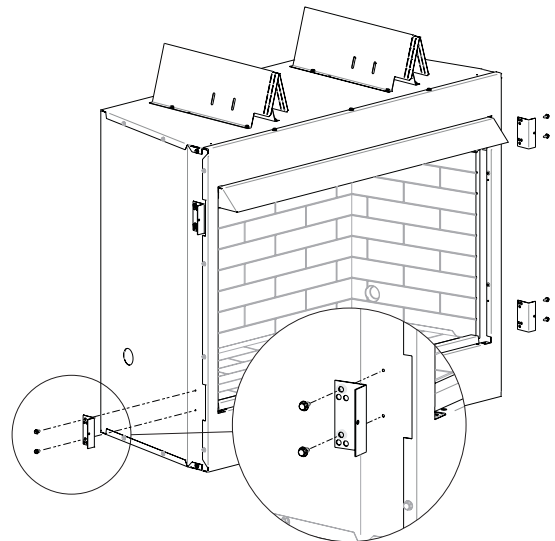


Figure 8

3. Locate the middle bracket. Loosen the screw in the middle top of the firebox. Slide the bracket under the screw as shown in Figure 10. Tighten the hex-head screws on the firebox secure a pan-head screw through the middle bracket and into the top stud.

FIREBOX FRAMING AND INSTALLATION

- Slide the firebox into position inside the metal studs. Secure the firebox to the metal studs with four #10 pan-head screws as shown in Figure 9.

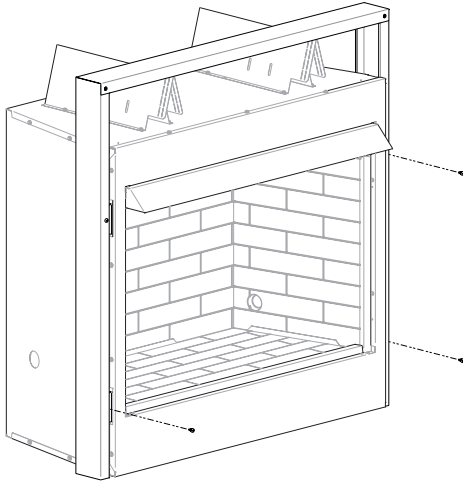


Figure 9

- Connect the gas line to the unit and check for leaks with a soapy water solution.
Note: Ensure that the gas shut-off valve is accessible.
- Locate the two non-combustible boards and place them above the fireplace as shown in Figure 11. Attach the non-combustible board to the studs with six 10-16 flathead screws.

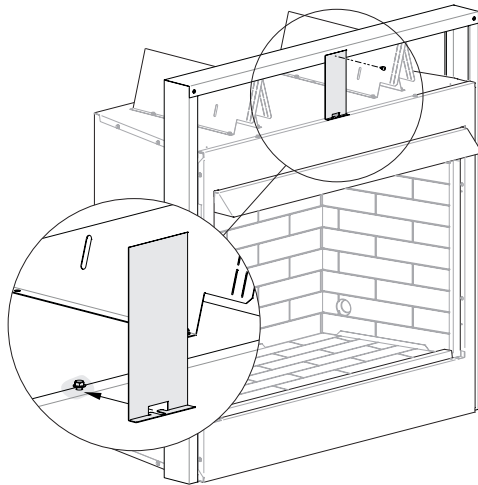


Figure 10

- Secure the non-combustible board to the middle bracket using two 10-16 flathead screws as shown in Figure 11.

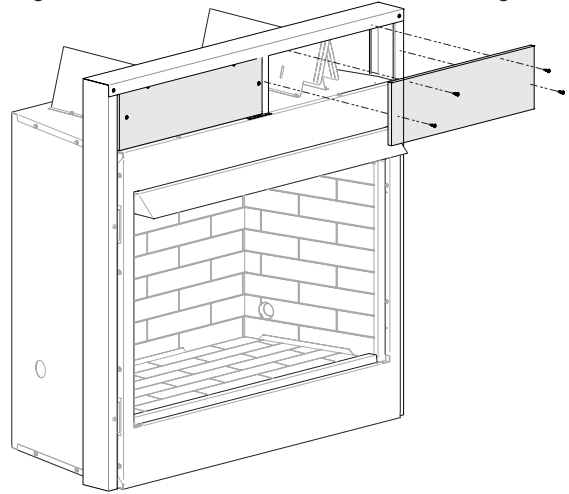


Figure 11

Alternate Framing and Installation Method

- Install flanges on side of firebox as shown using holes on side of firebox. See Figure 8. The middle pair of holes is for the 1/2 inch non-combustible board provided with the unit.
- Connect the side framing studs to the top stud as shown in Figure 12. The channel of the studs should face inward.

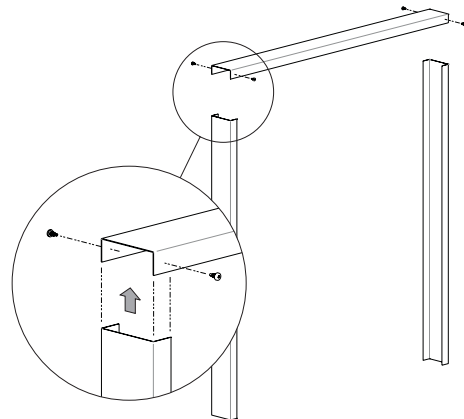


Figure 12

- Connect the framing studs to the flanges using four #10 pan-head screws.
Note: If using a drain tray, the bottom of the side framing studs will be approximately 1" from the bottom of the firebox.
- Locate the middle bracket. Loosen the screw in the middle top of the firebox. Slide the bracket under the screw as shown in Figure 10. Tighten the hex-head screws on the firebox secure a pan-head screw through the middle bracket and into the top stud.
- Locate the two non-combustible boards and place them above the firebox as shown in Figure 11. Attach the non-combustible board to the studs with six 10-16 flathead screws.
- Secure the non-combustible board to the middle bracket using two 10-16 flathead screws as shown in Figure 11.
- Move the firebox into position. Connect the gas line to the unit and check for leaks with a soapy water solution.
Note: Ensure that the gas shut-off valve is accessible.
- Secure firebox to framing or floor.

GAS LINE CONNECTION

The firebox is designed to accept a 3/8-inch gas line for an approved ventless gas logset. Have the line installed by a qualified service person in accordance with all building codes. Consult local building codes to properly size the gas supply line leading to the 3/8-inch hook-up at the unit. The state of Massachusetts requires that a flexible appliance connector cannot exceed three feet in length.

Gas access holes are provided on both sides of the firebox. **See Figure 12.** Carefully remove the knockout in the refractory brick panel using a large standard screwdriver and hammer. First, place screwdriver in groove next to plug and pry sideways to pop out main plug. Then remove the remaining concrete in hole with gentle tapping with ball peen hammer and/or screwdriver. A masonry drill and bit may also be used to create a clean hole for the gas line to pass through. **See Figure 13.**

After the brick panel knockout is removed, the firebox wrap may have a round metal knockout that must be removed also. Use a screwdriver to punch out the metal knockout.

Check gas type. Use only the gas type indicated on the gas log set rating plate. If the gas listed on the plate is not your type of gas supply, DO NOT INSTALL. Contact your dealer for proper model.

Always use an external regulator for all LP fireboxes to reduce the supply tank pressure to a maximum of 14" w.c. This is in addition to the regulator fitted to the log set.

WARNING: CONNECTION DIRECTLY TO AN UNREGULATED L.P. TANK CAN CAUSE EXPLOSION.

Install only a ANSI Z21.97.1/CSA 2.41 ventless log set into this firebox.

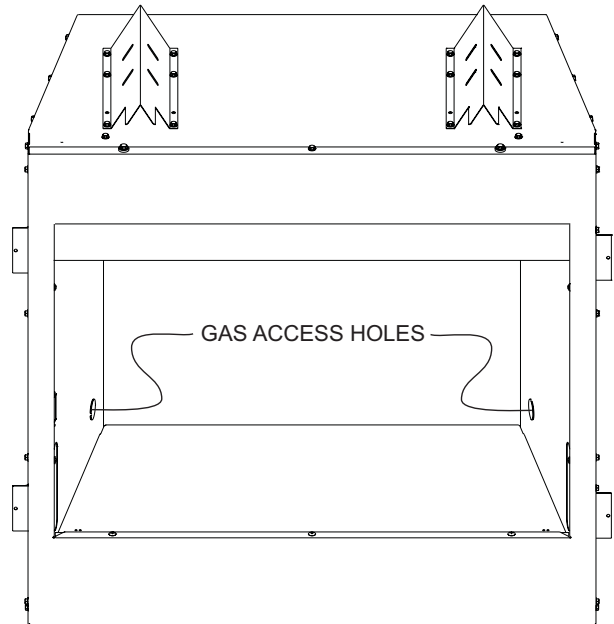


Figure 12

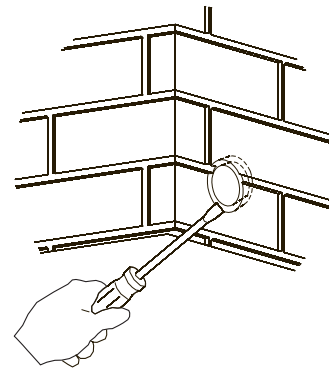


Figure 13

MASTER PARTS DISTRIBUTOR LIST

To Order Parts Under Warranty, please contact your local Empire dealer. See the dealer locator at www.empirecomfort.com. To provide warranty service, your dealer will need your name and address, purchase date and serial number, and the nature of the problem with the unit.

To Order Parts After the Warranty Period, please contact your dealer or one of the Master Parts Distributors listed below. This list changes from time to time. For the current list, please click on the Master Parts button at www.empirecomfort.com. Please note: Master Parts Distributors are independent businesses that stock the most commonly ordered Original Equipment repair parts for Heaters, Grills, and Fireplaces manufactured by Empire Comfort Systems Inc.

Dey Distributing

1401 Willow Lake Boulevard
Vadnais Heights, MN 55101

Phone: 651-490-9191

Toll Free: 800-397-1339

Website: www.deydistributing.com

Parts: Heater, Hearth and Grills

Victor Division of F. W. Webb Company

200 Locust Street
Hartford, CT 06114

Phone: 860-722-2433

Toll Free: 800-243-9360

Fax: 860-293-0479

Toll Free Fax: 800-274-2004

Websites: www.fwwebb.com & www.victormfg.com

Parts: Heater, Hearth and Grills

East Coast Energy Products

10 East Route 36
West Long Branch, NJ 07764

Phone: 732-870-8809

Toll Free: 800-755-8809

Fax: 732-870-8811

Website: www.eastcoastenergy.com

Parts: Heater, Hearth and Grills

Able Distributors

2501 North Central Avenue
Chicago, IL 60639

Phone: 773-889-5555

Toll Free: 800-880-2253

Fax: 773-466-1118

Website: www.abledistributors.com

Parts: Heater

HOW TO ORDER REPAIR PARTS

Parts Not Under Warranty

Parts can be ordered through your Service Person, Dealer, or a Master Parts Distributor. See this page for the Master Parts Distributors list. For best results, the **service person or dealer** should order parts through the distributor. Parts can be shipped directly to the **service person/dealer**.

Warranty Parts

Warranty parts will need a proof of purchase and can be ordered by your Service Person or Dealer. Proof of purchase is **required** for warranty parts.

All parts listed in the Parts List have a Part Number. When ordering parts, first obtain the Model Number and Serial Number from the name plate on your equipment. Then determine the Part Number (**not** the Index Number) and the Description of each part from the following illustration and part list. Be sure to give all this information . . .

Appliance Model Number _____ Part Description _____

Appliance Serial Number _____ Part Number _____

Type of Gas (Propane or Natural) _____

Do not order bolts, screws, washers or nuts. They are standard hardware items and can be purchased at any local hardware store.

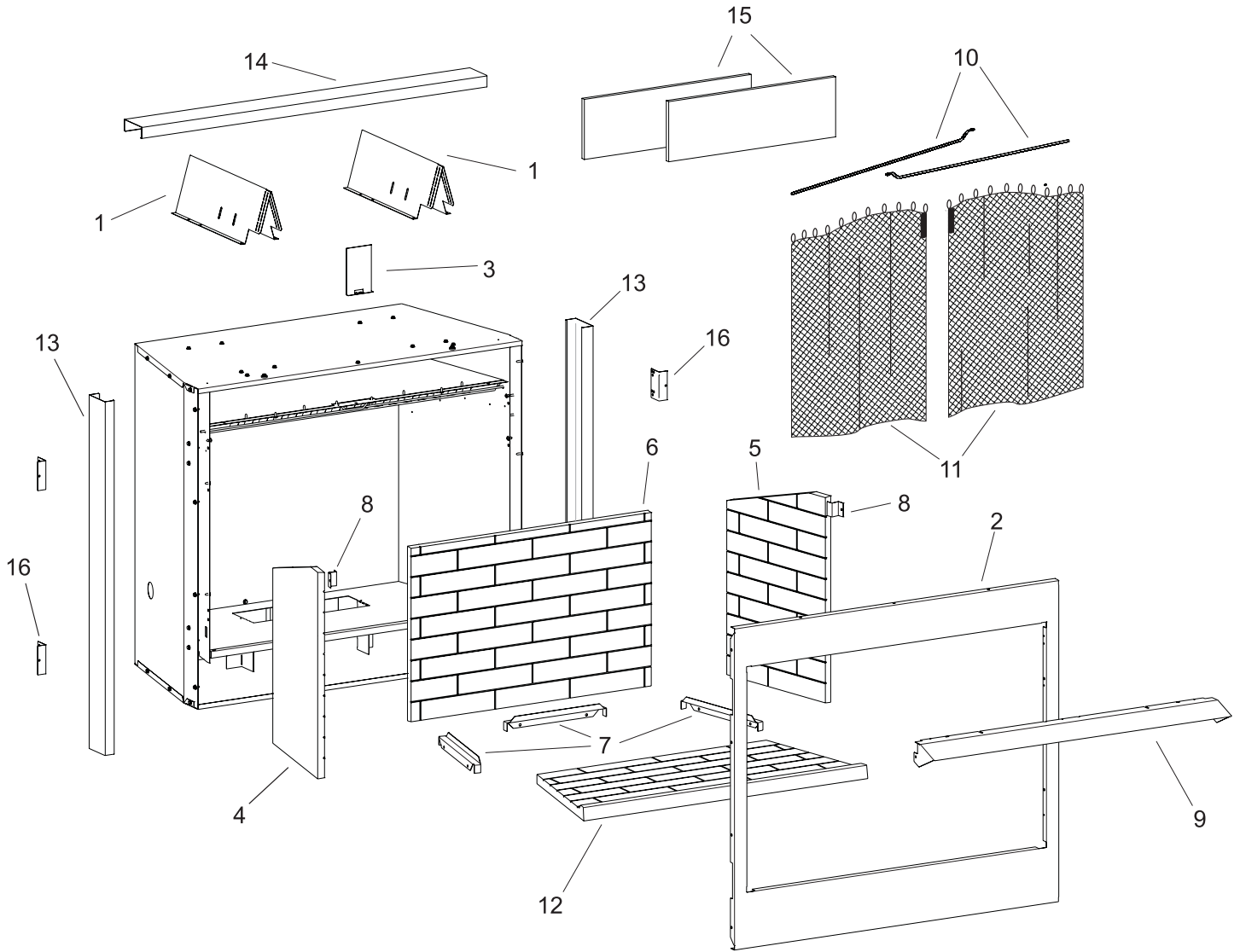
Shipments contingent upon strikes, fires and all causes beyond our control.

PARTS LIST

USE ONLY MANUFACTURER'S REPLACEMENT PARTS. USE OF ANY OTHER PARTS COULD CAUSE INJURY OR DEATH.

Index No.	PART No.			Description
	OP32FB2MF	OP36FB2MF	OP42FB2MF	
1	23219	23219	23219	Top Standoff
2	28987	27781	27782	Firebox Front
3	32359	32359	32359	Mount Bracket
4	R10387	R10391	R10391	Liner, Side - Left
5	R10388	R10392	R10392	Liner, Side - Right
6	R10386	R10390	R10393	Liner, Rear
7	27792	27792	27792	Liner Bracket - Bottom
8	20447	20447	20447	Liner Bracket - Top
9	29068	20234	20237	Hood
10	R11107	R11036	R11037	Curtain, Rod
11	R11108	R10765	R10765	Curtain, Screen
12	R11104	R11105	R11106	Liner, Bottom
13	32231	32231	32231	Metal Channel - Side
14	32232	32233	32234	Metal Channel - Top
15	R11678	R11681	R11683	Non-Combustible Board
16	10554	10554	10554	Flange

PARTS VIEW



WARRANTY TERMS

Empire Comfort Systems Inc. warrants this hearth product to be free from defects at the time of purchase and for the periods specified below. Hearth products must be installed by a qualified technician and must be maintained and operated safely, in accordance with the instructions in the owner's manual. This warranty applies to the original purchaser only and is not transferable. All warranty repairs must be accomplished by a qualified gas appliance technician.

**Limited Five-Year Parts Warranty – All Components
(Except Remote Controls, Thermostats, Accessories and Replacement Parts)**

Should any part fail because of defective workmanship or material within five years from the date of purchase, Empire will repair or replace at Empire's option.

Limited One-Year Parts Warranty – Remote Controls, Thermostats, Accessories, and Parts

Should any remote control, thermostat, accessory, or other part fail because of defective workmanship within one year from the date of purchase, Empire will repair or replace at Empire's option.

Duties of the Owner

The appliance must be installed by a qualified installer and operated in accordance with the instructions furnished with the appliance.

A bill of sale, cancelled check, or payment record should be kept to verify purchase date and establish warranty period.

Ready access to the appliance for service.

What Is Not Covered

Damages that might result from the use, misuse, or improper installation of this appliance.

Travel, diagnostic costs and freight charges on warranted parts to and from the factory.

Claims that do not involve defective workmanship or materials.

Unauthorized service or parts replacements.

Removal and reinstallation cost.

Inoperable due to improper or lack of maintenance.

How To Get Service

To make a claim under this warranty, please have your receipt available and contact your installing dealer. Provide the dealer with the model number, serial number, type of gas, and purchase verification. The installing dealer is responsible for providing service and will contact the factory to initiate any warranted parts replacements. Empire will make replacement parts available at the factory. Shipping expenses are not covered.

If, after contacting your Empire dealer, service received has not been satisfactory, contact: Consumer Relations Department, Empire Comfort Systems Inc., PO Box 529, Belleville, Illinois 62222, or send an e-mail to info@empirecomfort.com with "Consumer Relations" in the subject line.

Your Rights Under State Law

This warranty gives you specific legal rights, and you may also have other rights, which vary from state to state.



Empire Comfort Systems Inc.
918 Freeburg Ave. Belleville, IL 62220

If you have a general question about our products, please e-mail us at info@empirecomfort.com.

If you have a service or repair question, please contact your dealer.

www.empirecomfort.com