

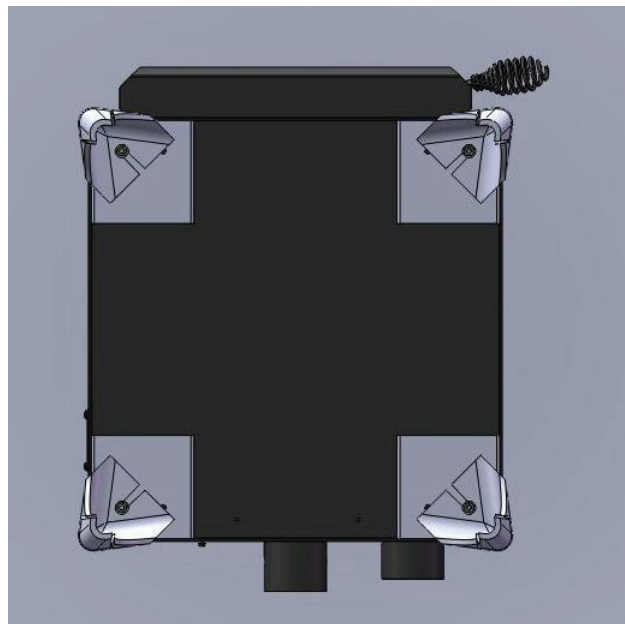
## Leg Attachment Kit

### Part #BC3570

used on BabyC units



- Make sure unit is turned off and cooled down.
- Carefully tip unit onto the back.
- Using the mounting pads and diagram shown below, position pads as shown.
- With a .281 diameter drill bit, drill a hole through the bottom of the base. Make sure not to drill through the power supply on the DC units.



- Mount the legs with the 1/4-20 x 2 1/2" hex bolts and washers supplied through the leg, pad and base.
- Restart unit.

