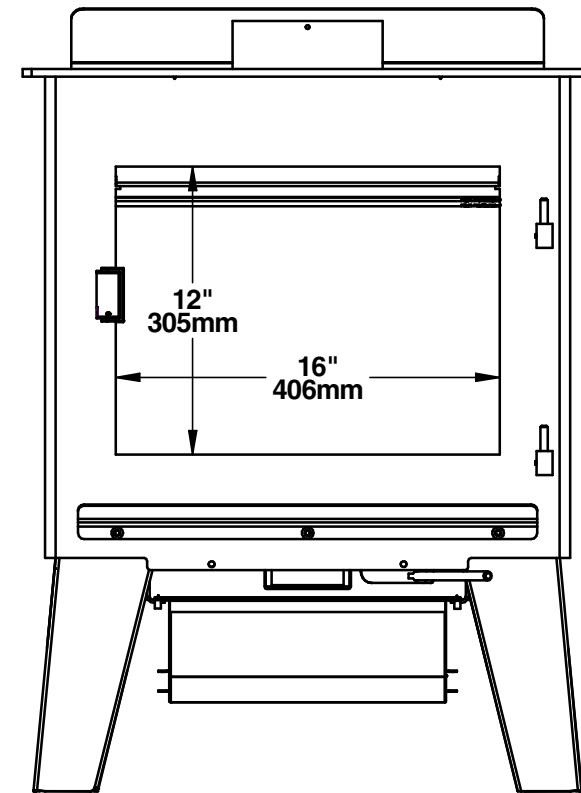
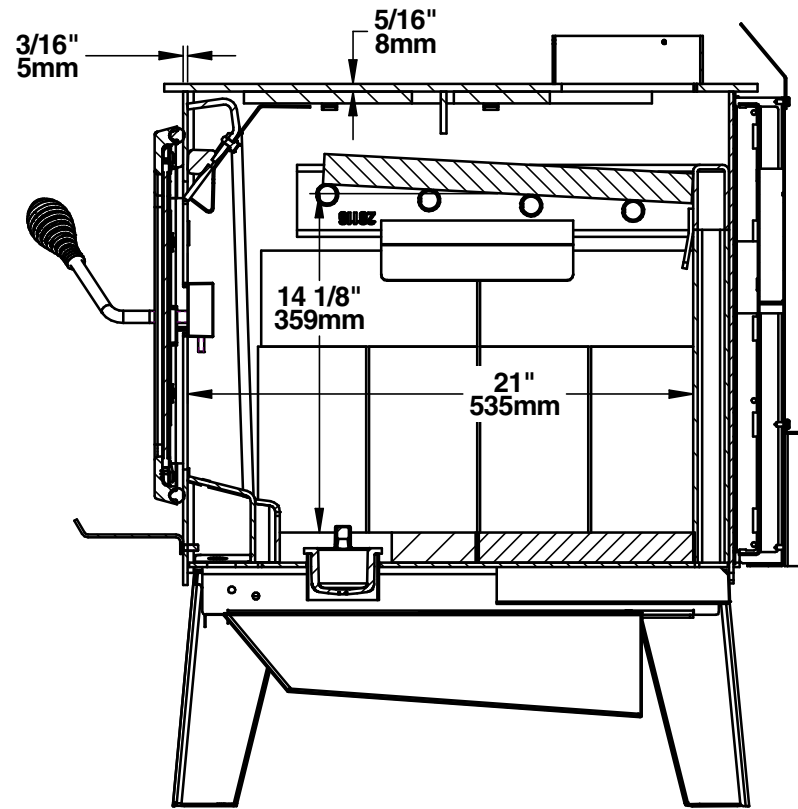
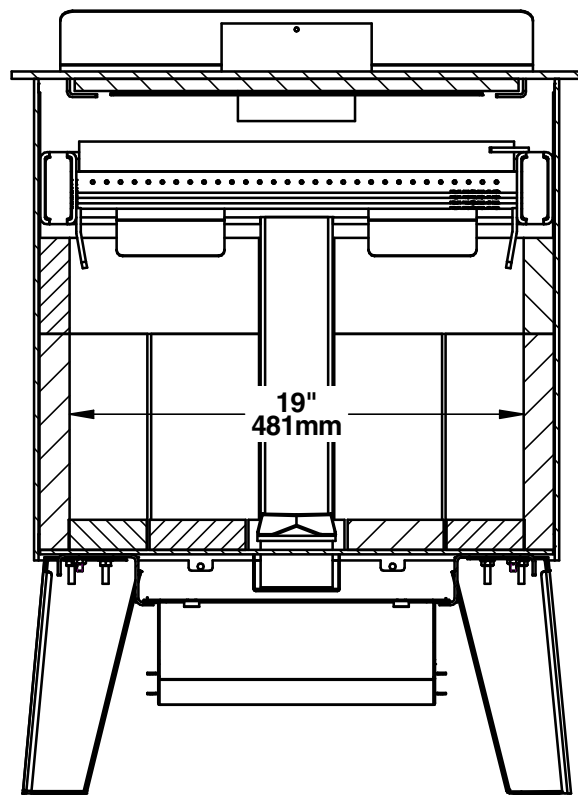


AUSTRAL III (DB03033)
PATTES / LEGS

© 2020, FABRICANT DE POÊLE INTERNATIONAL INC. TOUS DROITS RESERVÉS / ALL RIGHTS RESERVED



AUSTRAL III (DB03033)
CHAMBRE À COMBUSTION / COMBUSTION CHAMBER

© 2020, FABRICANT DE POÊLE INTERNATIONAL INC. TOUS DROITS RESERVÉS / ALL RIGHTS RESERVED