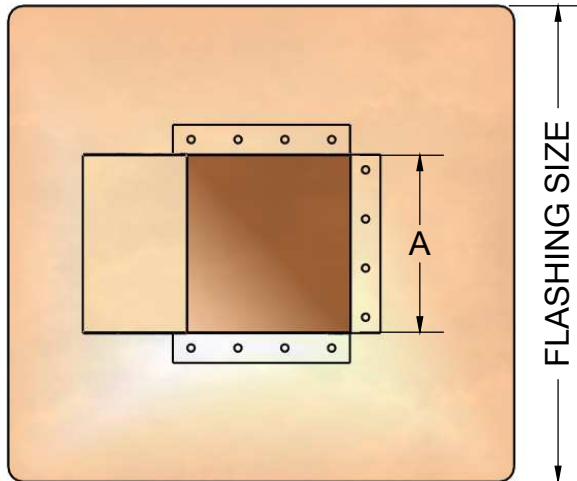
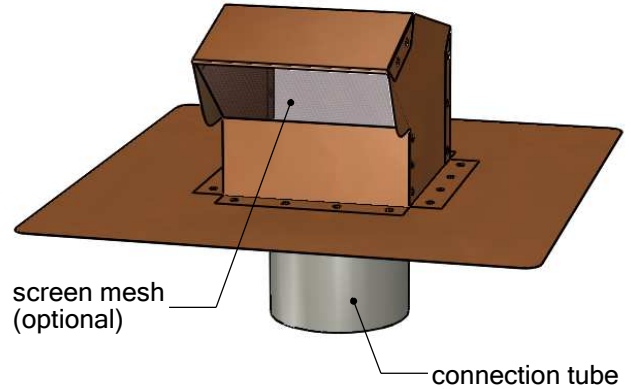
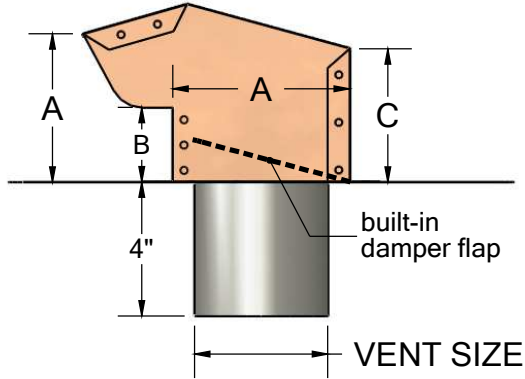




ROOFTOP DRYER/EXHAUST VENT

tel: (619) 448-3567
 fax: (619) 448-9072 tbirdusa.com

16 oz copper flashing. For flat and pitched roofs. Available for up to 12" diameter pipe. Can be ordered with a one way damper and/or screen. Available in copper, hammered copper, or stainless steel.



PART #	VENT SIZE	FLASHING SIZE	A	B	C	FREE AREA
RM-DV4	4"	12" x 12"	5.5"	2.5"	3.7"	19 in ²
RM-DV6	6"	17.8" x 17.8"	8.5"	3.8"	5.7"	46 in ²
RM-DV8	8"	20" x 20"	9.6"	4.5"	6.8"	61 in ²
RM-DV10	10"	21" x 21"	11.5"	5.2"	7.8"	85 in ²
RM-DV12	12"	22" x 22"	13.5"	5.8"	8.8"	112 in ²

Data is subject to manufacturing tolerances.