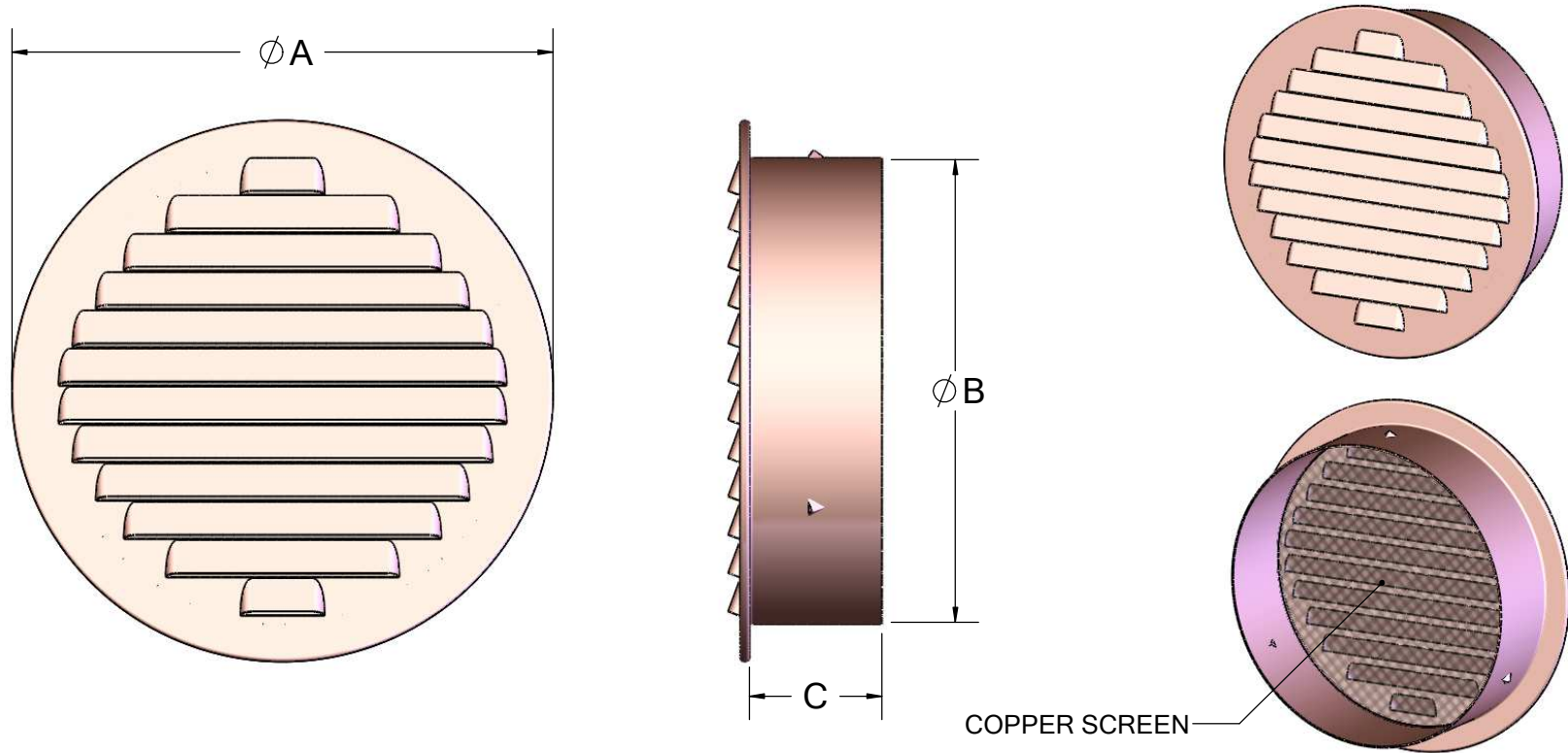


ROUND SOFFIT VENT



MATERIAL	16 oz copper
-----------------	--------------

PART #	ØA	ØB	C	LOUVER #	FREE AREA (NET)
WSOF1.5	1.8"	1.5"	.5"	5	0.4 in ²
WSOF2	2.4"	2"	.65"	6	1 in ²
WSOF3	3.5"	3"	.7"	6	1.9 in ²
WSOF4	4.6"	4"	.75"	9	3.6 in ²
WSOF5	5.9"	4.5"	2"	12	4.2 in ²
WSOF6	6.7"	6"	.8"	8	5.7 in ²
WSOF8	8.7"	7.4"	2"	19	19.6 in ²

THUNDERBIRD PRODUCTS
 1895 Gillespie Way
 El Cajon, CA 92020
 Tel: (619) 448-3567
 Fax: (619) 448-9072