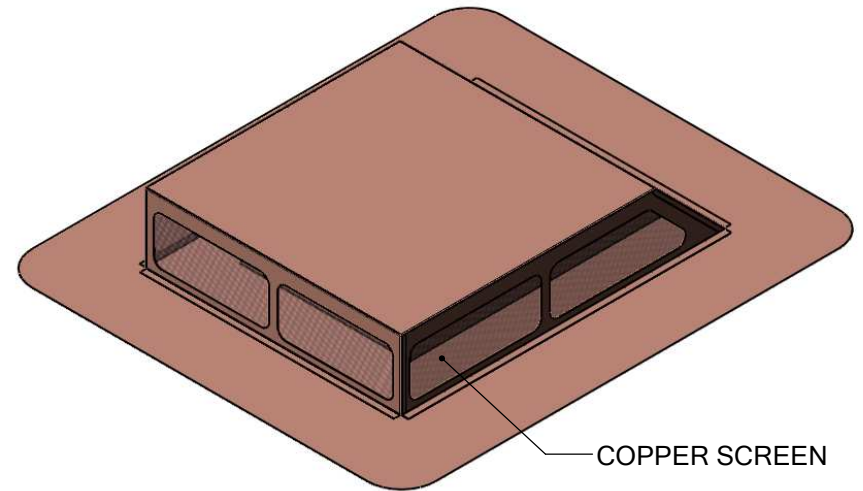
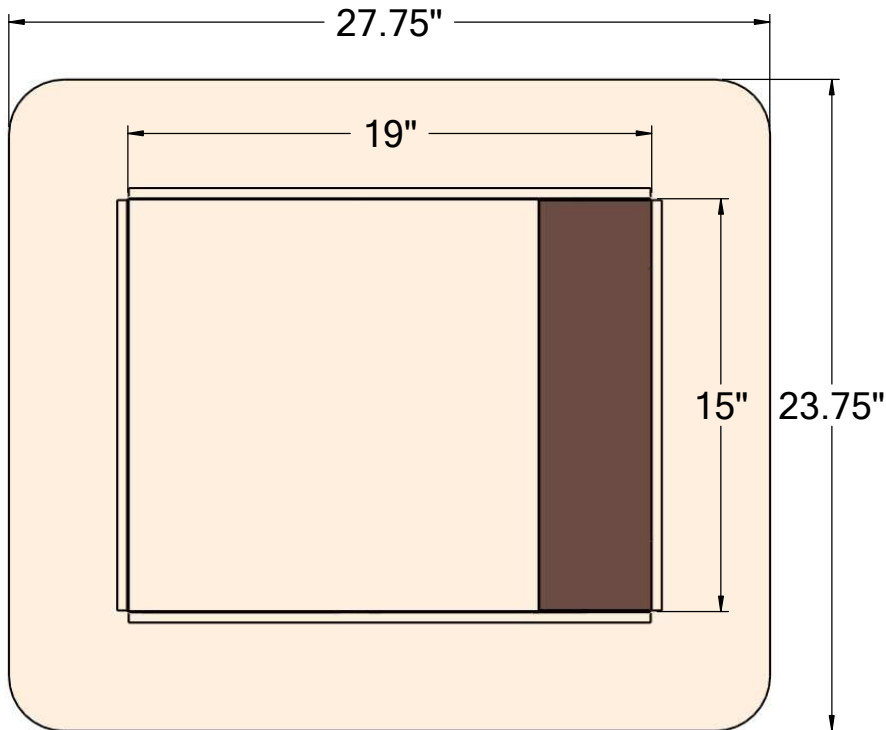
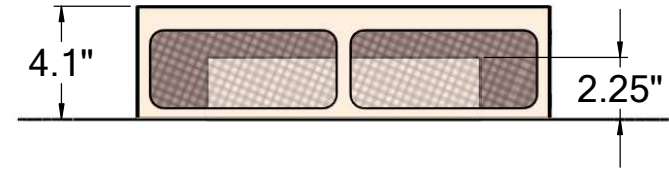
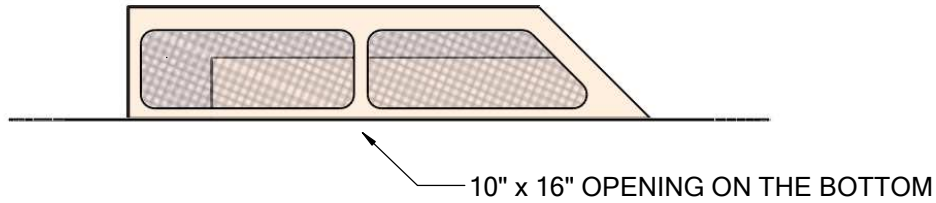


RECTANGULAR ATTIC VENT

FOR FLAT AND PITCHED ROOFS
75 in² NET FREE AREA



MESH SIZE:
.25" x .25" OPENING
.042" ϕ WIRE

MATERIAL	16 oz copper
-----------------	--------------

THUNDERBIRD PRODUCTS
1895 Gillespie Way
El Cajon, CA 92020
Tel: (800) 658-2473
Fax: (619) 448-9072