



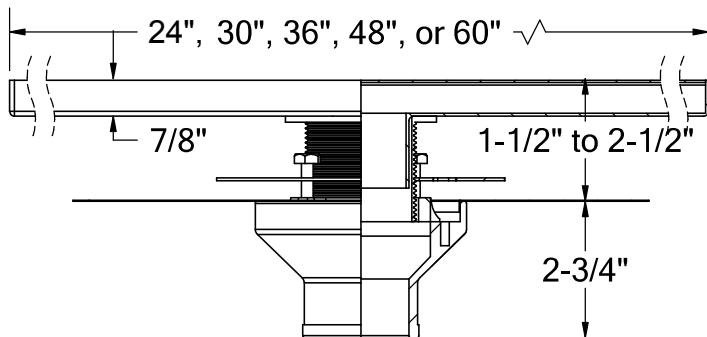
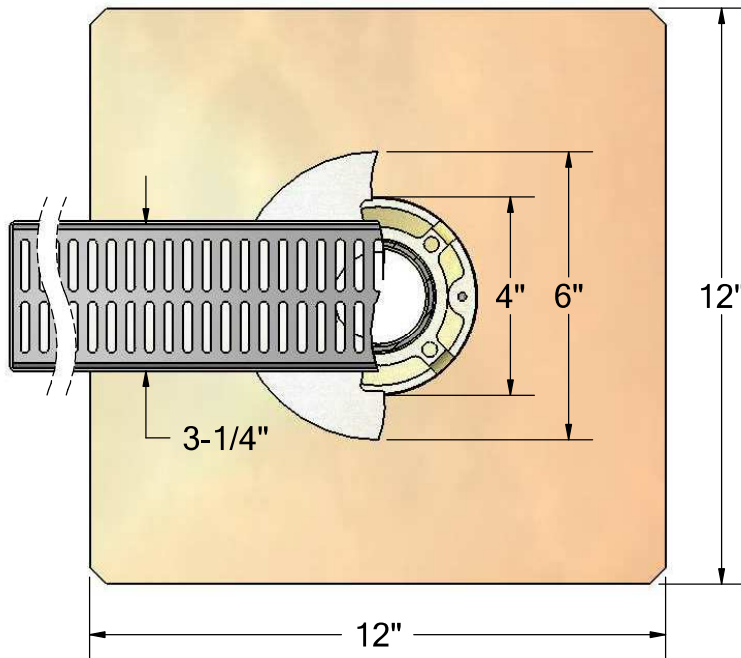
1895 Gillespie Way, El Cajon, CA 92020  
 tel: (619) 448-3567  
 fax: (619) 448-9072 tbirdusa.com

# LINEAR SHOWER DRAIN

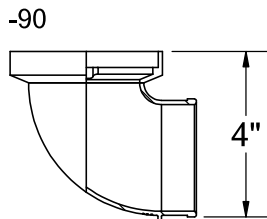
## MADE IN USA



16 oz copper or 316 grade stainless steel flange. Stainless clamp ring. Stainless grate available in 24", 30", 36", 48", and 60" lengths. Standard slotted grate or tile-in grate.



optional:



-SG

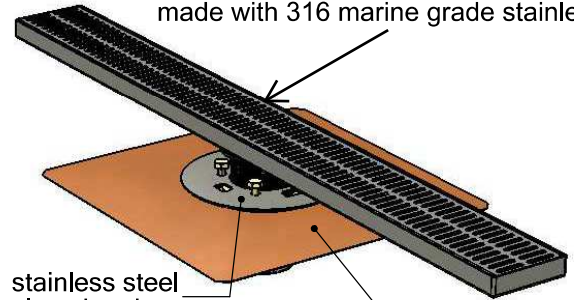


-TG



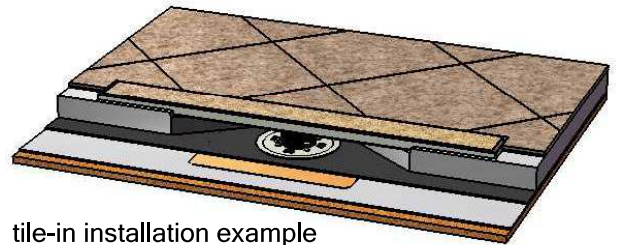
(shown with tile insert)

New and improved trench and grate made with 316 marine grade stainless



stainless steel clamping ring

flashing attached to 4" bowl, reduced to 2" or 3" no-hub fitting



tile-in installation example

Installation:

1. Apply base sheet to substrate.
2. Nail drain basin to substrate.
3. Apply waterproofing to drain basin.
4. Mechanically attach clamping ring with supplied hardware.
5. Set adjuster to desired height.
6. Place linear grate body into adjuster.
7. Apply mortar to desired height. Use caution to avoid mortar entering weep holes.
8. Install tile to finish height.

PART #

SDLNUS24	2" no-hub, 24" grate
SDLNUS30	2" no-hub, 30" grate
SDLNUS36	2" no-hub, 36" grate
SDLNUS48	2" no-hub, 48" grate
SDLNUS60	2" no-hub, 60" grate
<b>OPTIONS</b>	
	16 oz copper flange
S-	316 stainless steel flange
-90	90° outlet connection
-SG	slotted grate, stainless
-TG	tile-in grate, stainless (tile insert is not included)