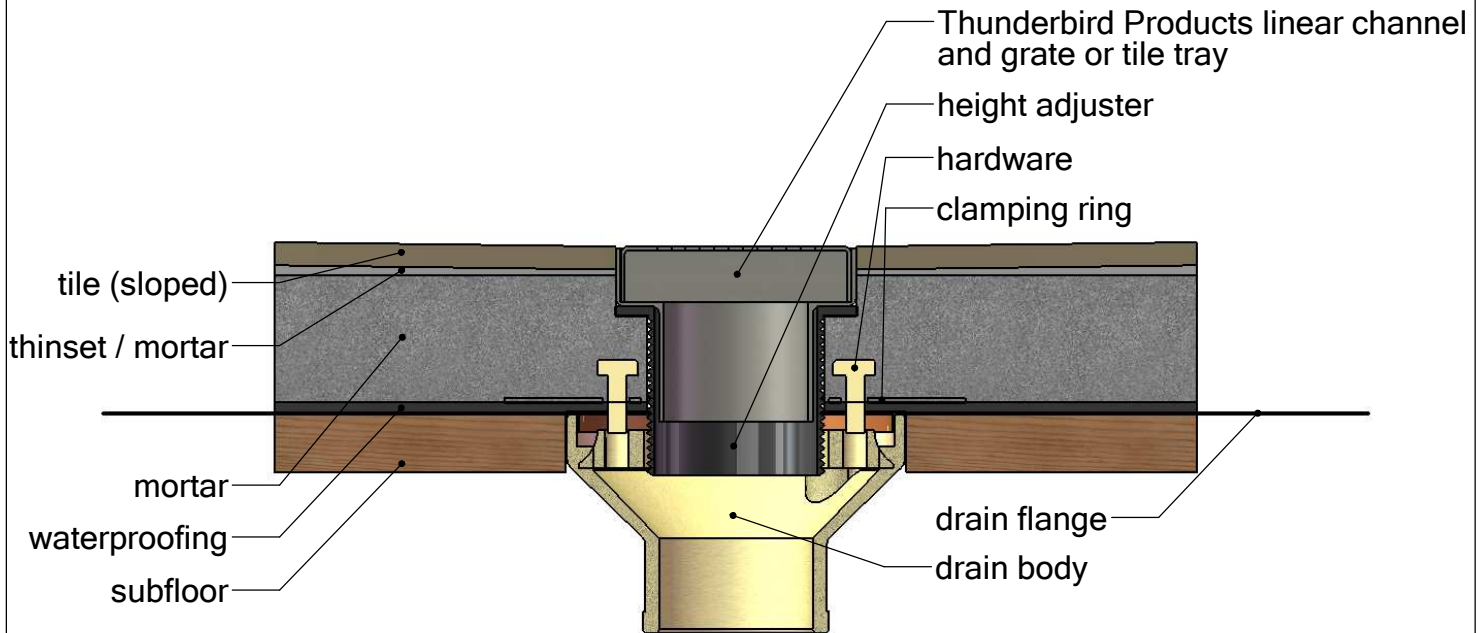




THUNDERBIRD PRODUCTS

1895 Gillespie Way, El Cajon, CA 92020
tel: (619) 448-3567
fax: (619) 448-9072 tbirdusa.com

LINEAR DRAIN INSTALLATION



- Step 1: Set drain into pre-cut or formed opening and attach coupling to drain pipe.
- Step 2: Nail or mechanically attach drain flange to floor.
- Step 3: Apply waterproofing over floor and drain flange.
- Step 4: Mechanically attach clamping ring to drain with supplied hardware.
- Step 5: Hand thread plastic height adjuster into drain opening.
- Step 6: Place linear drain outlet into plastic adjuster and hand thread adjuster to your desired finished height.
- Step 7: Apply mortar under and around linear channel. Use caution to avoid mortar entering weep holes. Make sure there is enough room to allow tile to finish flush with top of linear grate.
- Step 8: Install tile to finished height. Make sure it is sloped toward linear channel.

