

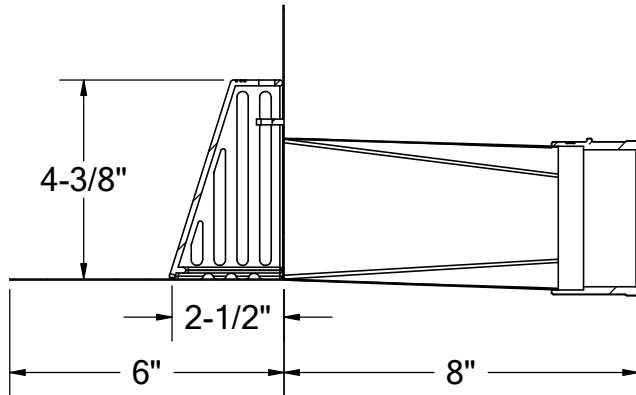
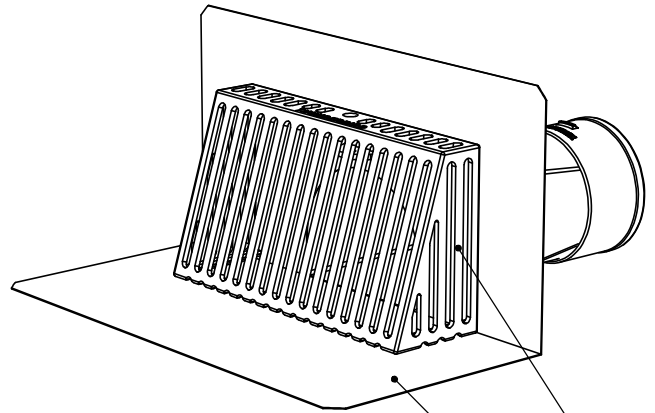
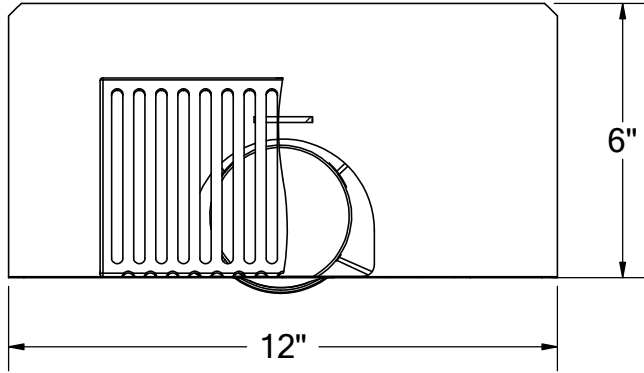


1895 Gillespie Way, El Cajon, CA 92020
 tel: (619) 448-3567
 fax: (619) 448-9072 tbirdusa.com

THROUGH-WALL PARAPET DRAIN



16 oz copper, 316 grade stainless steel, or TPO/PVC-clad stainless steel flange. Includes aluminum dome strainer.
 Available in 2", 3" and 4" outlet.



flashing attached to spout
 and 2", 3" or 4" bronze no-hub fitting
 cast aluminum strainer

PART #	
PDSR2NH	2" no-hub
PDSR3TA	3" male thread
PDSR3NH	3" no-hub
PDSR4NH	4" no-hub *
OPTIONS	
	16 oz copper flange
S-	316 stainless steel flange
TPO-	TPO-clad stainless flange
PVC-	PVC-clad stainless flange

Data is subject to manufacturing tolerances.

* excluded from ICC-ES listing