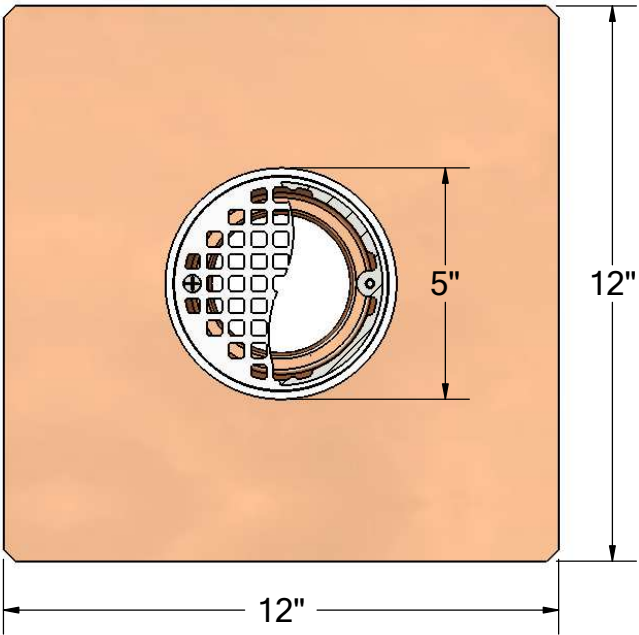




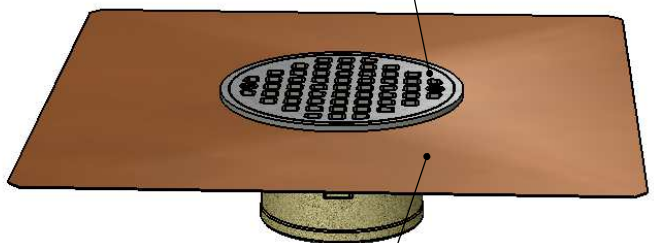
1895 Gillespie Way, El Cajon, CA 92020
 tel: (619) 448-3567
 fax: (619) 448-9072 tbirdusa.com

5" THIN MEMBRANE DRAIN

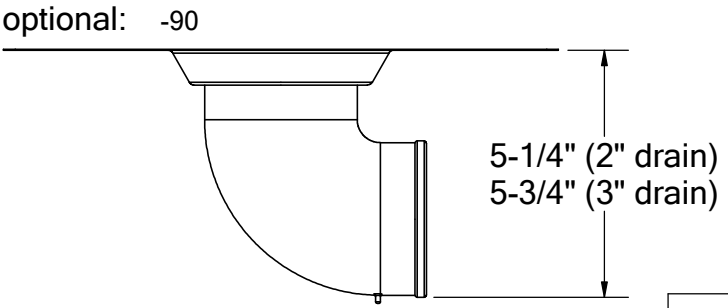
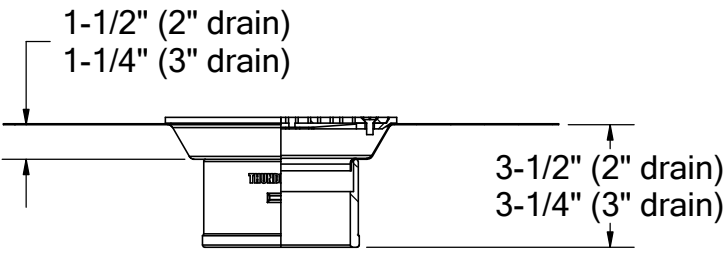
16 oz copper or 316 grade stainless flange. 5" round nickel-bronze grate. Available in 2" and 3" outlet sizes.



round grate, nickel-bronze, 5"
 5.88 in² free area



flashing attached to 2" or 3"
 bronze no-hub fitting



optional: -90

PART #	
BD52F	2" no-hub
BD53F	3" no-hub
BD53FTA	3" male thread
OPTIONS	
	16 oz copper flange
S-	316 stainless steel flange
-90	90° connection
	round grate, nickel-bronze, 5" 5.88 in ² free area

Data is subject to manufacturing tolerances.