

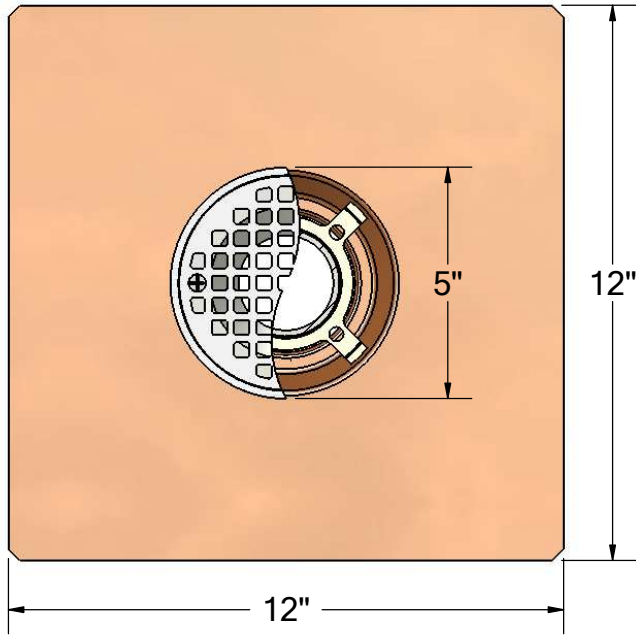


**THUNDERBIRD PRODUCTS**

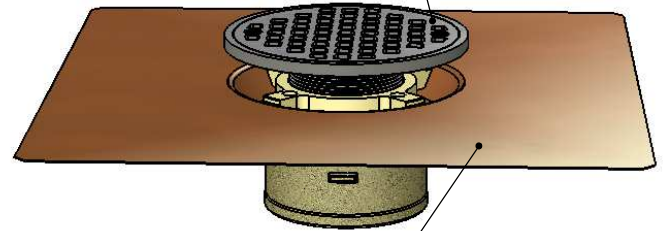
1895 Gillespie Way, El Cajon, CA 92020  
 tel: (619) 448-3567  
 fax: (619) 448-9072    tbirdusa.com

# 5" BOWL DECK DRAIN WITH ADJUSTABLE GRATE

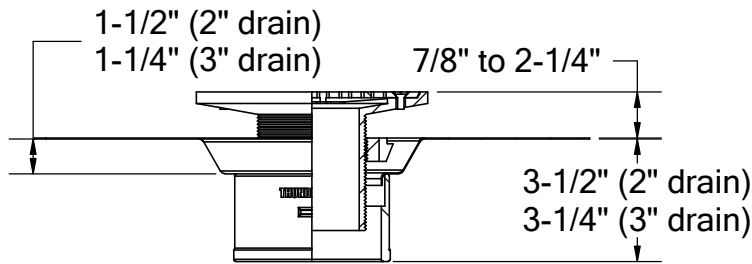
16 oz copper or 316 grade stainless flange. 5" adjustable square or round grate in nickel-bronze. Available in 2" and 3" outlet sizes.



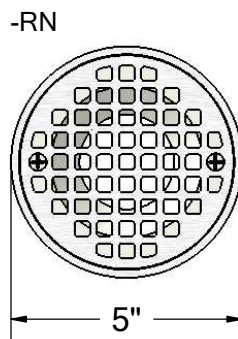
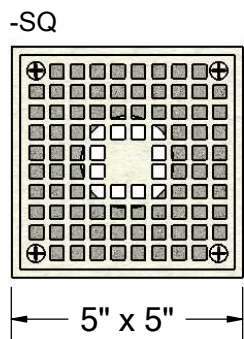
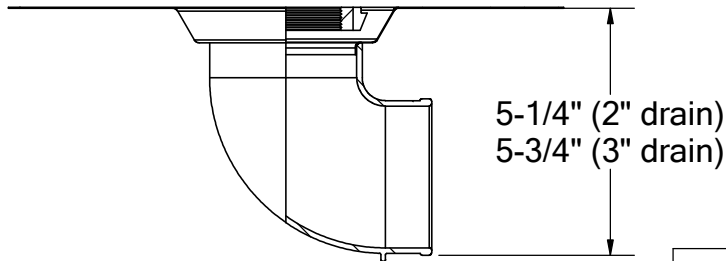
round grate, nickel-bronze, 5"  
 5.88 in<sup>2</sup> free area



flashing attached to 2 or 3"  
 bronze no-hub fitting



optional: -90



PART #	
BD52A	2" no-hub
BD53A	3" no-hub
BD53ATA	3" male thread
OPTIONS	
	16 oz copper flange
S-	316 stainless steel flange
-90	90° connection
-SQ	square grate, nickel-bronze, 5" x 5", 8.84 in <sup>2</sup> free area
-RN	round grate, nickel-bronze, 5" 5.88 in <sup>2</sup> free area

Data is subject to manufacturing tolerances.