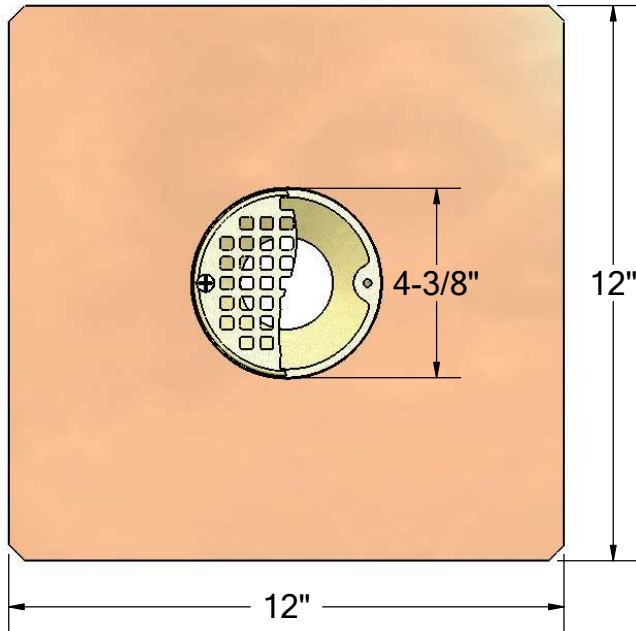




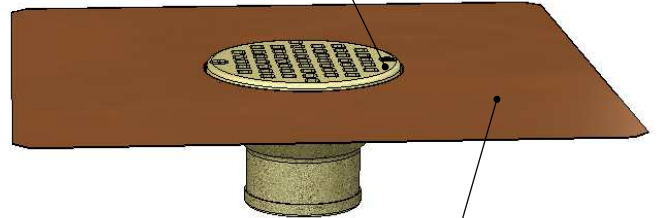
# BOWL DECK DRAIN

tel: (619) 448-3567  
 fax: (619) 448-9072    tbirdusa.com

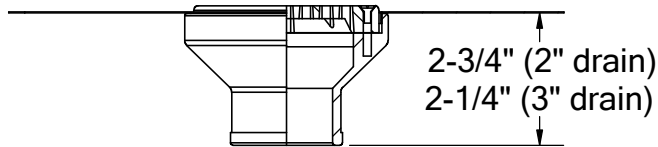
16 oz copper or 316 grade stainless flange. 4" round bronze grate. For use with thin membrane applications. Available in 2" and 3" outlet.



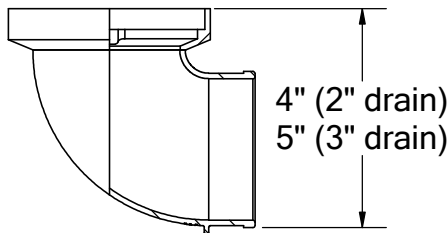
round grate, brass, 4"  
 3.43 in<sup>2</sup> free area



flashing attached to 4" bowl,  
 reduced to 2" or 3" no-hub fitting



optional: -90



| PART #  |  |
|---------|--|
| BD42NH  | 2" no-hub  |
| BD43NH  | 3" no-hub  |
| OPTIONS |  |
|         | 16 oz copper flange                                      |
| S-      | stainless steel flange                                   |
| -90     | 90° connection   |
|         | round grate, brass, 4"<br>3.43 in <sup>2</sup> free area |