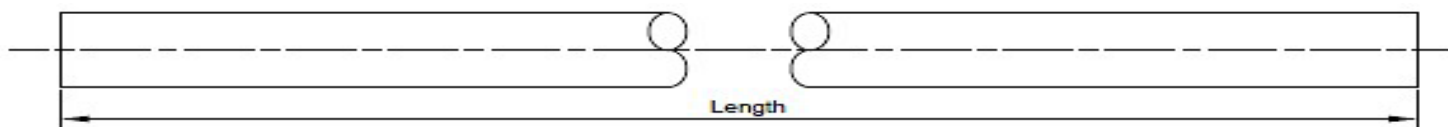
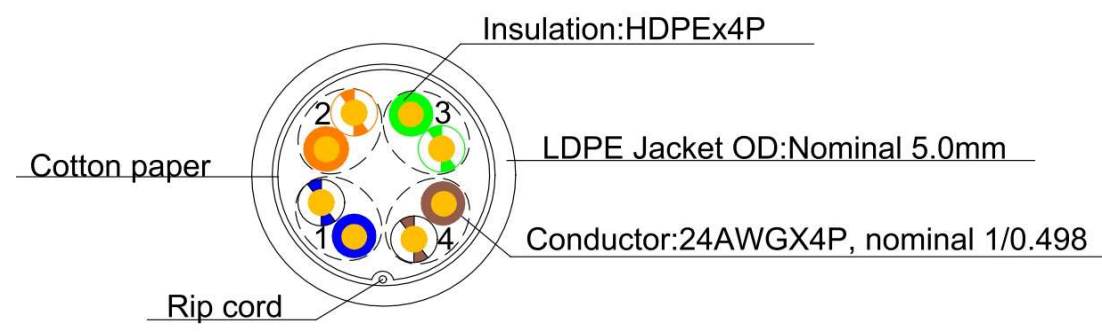


DATE	REV.	REVISION	DRAFTING	CHECKED
2024/1/25	A/0	Initial	Anne C.	



Marking: CAT.5E UTP 350MHz OUTDOOR DIRECT BURIAL 24AWGX4P CONFORMS TO ANSI/TIA-568.2-D & ISO/IEC 11801-1 ED.2 & EN 50288-3-1 RoHS XXXXFT

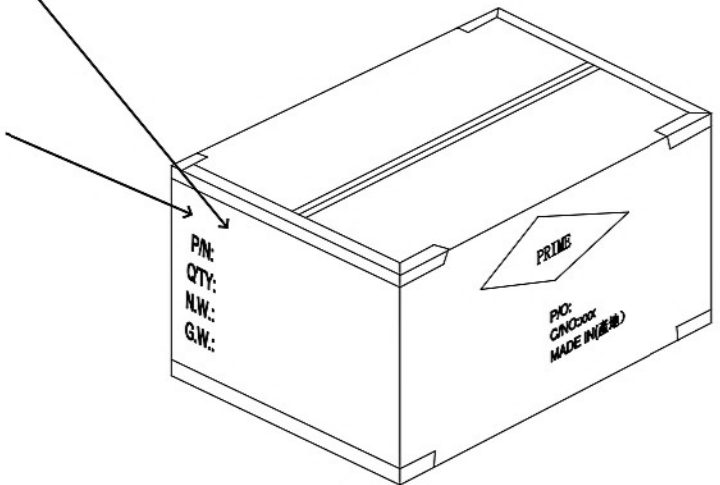
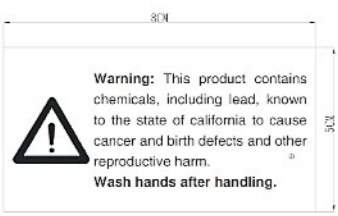
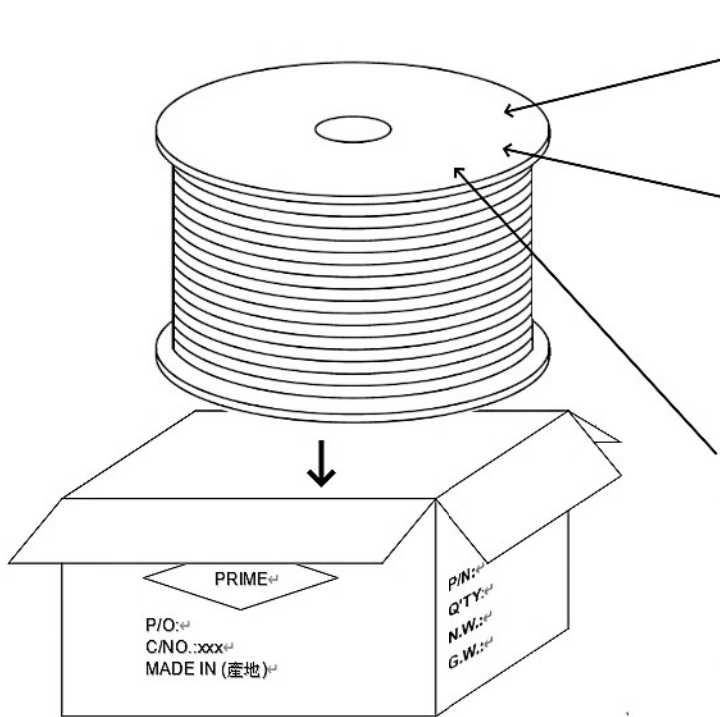


<b>PRIME</b> <sup>®</sup> Structured Cable			
DRAW. NO		TITLE	Cat 5e UTP Solid Cable outdoor use (with paper)
CUSTOMER		DRAW / DATE	2024/1/25
CUST'R P/N		CHECK / DATE	
SCALE		APPROVED	
UNIT	mm	SHEET	

Part No.	Color	Length (FT)
BC11009071SE	Black (BK903)	1000
Material	Part Number	Note

<input checked="" type="checkbox"/>	<input type="checkbox"/>	<input type="checkbox"/>	<input type="checkbox"/>	<input type="checkbox"/>
RoHS	Reach	GP	HP	Other

DATE	REV.	REVISION	DRAFTING	CHECKED
2024/1/25	A/0	Initial	Anne C.	



<b>PRIME</b> <sup>®</sup> Structured Cable			
DRAW. NO		TITLE	Cat 5e UTP Solid Cable outdoor use (with paper)
CUSTOMER		DRAW / DATE	2024/1/25
CUSTR P/N		CHECK / DATE	
SCALE		APPROVED	
UNIT	mm	SHEET	

Part No.	Color	Length (FT)
BC11009071SE	Black (BK903)	1000

Material	Part Number	Note	<input checked="" type="checkbox"/> RoHS	<input type="checkbox"/> Reach	<input type="checkbox"/> GP	<input type="checkbox"/> HP	<input type="checkbox"/> Other
----------	-------------	------	--	--------------------------------	-----------------------------	-----------------------------	--------------------------------