

# PRIME<sup>®</sup>

## 11-Outlet RACK MOUNT SURGE PROTECTOR w/SAFE-START TECHNOLOGY

### MODEL: CPPDU511

PRIME's Rack-Mount Surge Protector is loaded with features, starting with 11 grounded outlets, 2160 Joules of surge protection and more! It's made for the rigorous demands of professional applications.

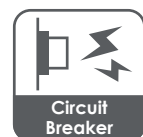


### FEATURES

- Electrical Rating: 15A, 120V, 60Hz, 1800W
- UL Clamping Voltage: L-N 400V, L-G 400V, N-G 400V
- Surge Protection (2160J)
- LED Indicators for Surge Protection & Ground
- Lighted Power Status Rocker Switch (2-Pole)
- 15A Resettable Circuit Breaker for Overload Protection
- Built-in Retractable Hi-Lo LED Lights
- Retractable LED-Lighting Tubes
- Switch Activation Light
- "Always-On" (Unswitched) Outlets with Red LED Indicator
- Switched Outlets with Surge Protection
- Safe-Start Outlets (10 second delay)
- Rack-Mount Installation



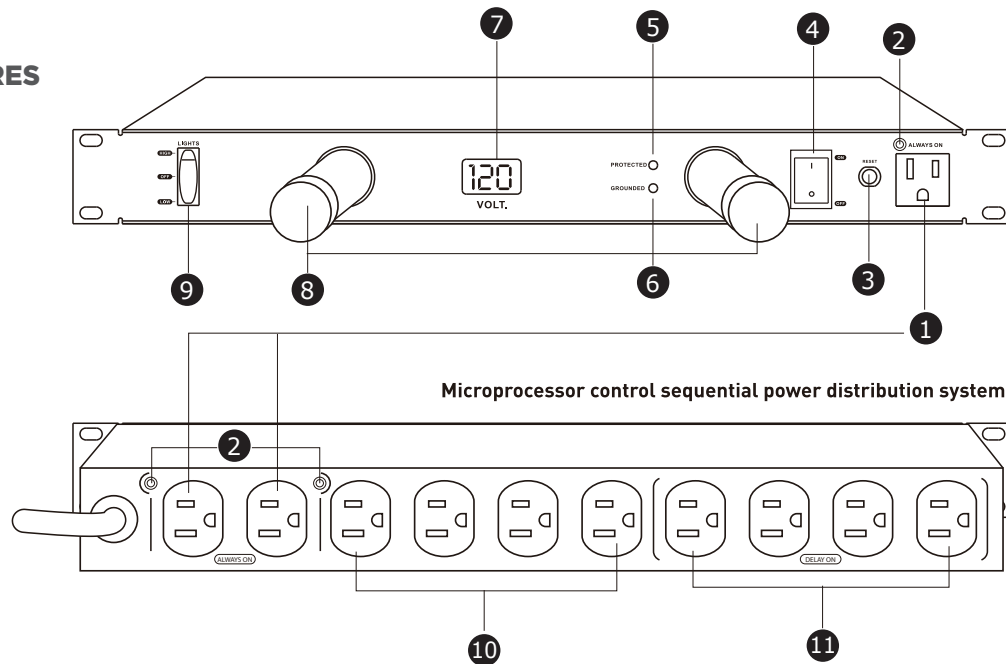
Resettable  
15A Circuit Breaker



# PRIME®

## 11-Outlet RACK MOUNT SURGE PROTECTOR w/SAFE-START TECHNOLOGY

### FEATURES



1. Always On Outlets (Red LED) - Provides constant AC power.
2. Unswitched Indicator - Red Light Indicates the Protected "Always On" Outlets are Powered
3. Circuit Breaker - Automatically opens when the current loading is greater than 15 Amps. Push to reset.
4. Rocker Power Switch - Switch power On or Off
5. Surge Protection LED (Red Color) - Indicates the surge protection function is enabled.
6. Grounding LED (Green Color) - Indicates the unit is properly grounded and Line/Neutral polarity is correct.
7. LED Voltmeter - Displays Voltage or Current Value
8. Retractable LED - Lighting Tubes
9. Switch Activates Light - Tube and Rack Illumination (HI or LOW intensity)
10. Switched Outlets - Power supply is controlled by program of this unit.
11. Safe-Start Outlets (10 second delay)

### SPECIFICATIONS

Electrical Rating	15A / 120V / 60Hz / 1800 W			
Surge Energy Joule Rating	2160 Joules			
Surge Protection Mode	L-N, L-G, N-G			
UL Clamping Voltage	400V			
Maximum Peak Spike Current	144,000A			
Maximum Spike Voltage	6KV			
EMI / RFI Noise Filter	Frequency	150KHz ~ 100MHz		
	Attenuation	Up to 58 dB		
Sequential Power On/Off	-	-	-	Yes 4 outlets(10 sec)
Surge Protected Indicator	Red			
Grounded Indicator	Green			
Unswitch Indicator	Green			
LED Voltmeter Display (Volt/Amp)	-	-	Yes	Yes
LED Lamp Tube	-	Yes	Yes	Yes
Surge Protected Failure	Surge Circuit Shut Down & Auto Power Shut Down			



Prime Wire & Cable, Inc.  
Diamond Bar, CA 91765  
primemodulardatacenters.com  
datacenters@primewirecable.com  
**909.718.5258**



PRIME reserves the right to change the product specifications or other product information (including but not limited to product weight, appearance, size or other physical factors) without prior notice, as a result of product upgrades or other causes. The images above are strictly for sample purposes, actual product may differ depending on the size, options, upgrades and/or other causes.