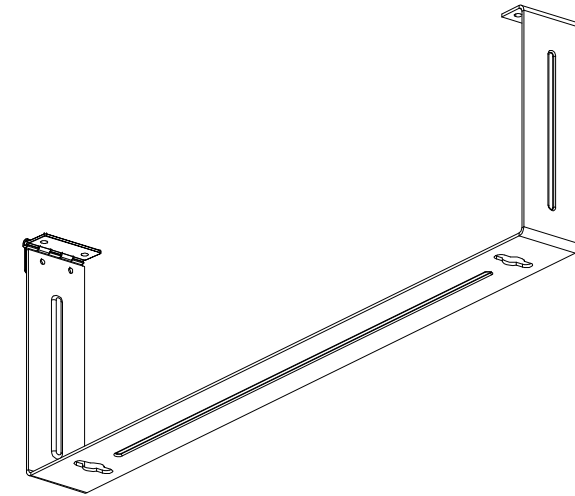
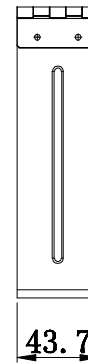
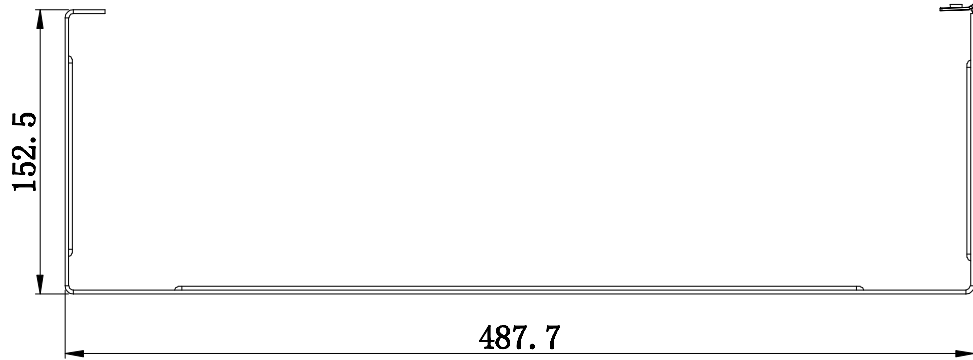
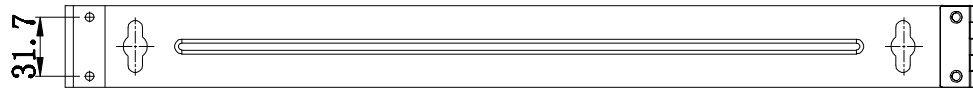


NOTE:ALL MATERIAL COMPLIANT ROHS STANDARD

REVISION INFORMATION

Rev.	Rev.Date	Modified By	Brief Description



### Specification

1. Patch Panel: metal 1U.
2. Color: black.
3. Material: SEEC galvanized iron panel.
4. Operation Temperature : -10°C to 60°C.
5. Certifications: ANSI/TIA/EIA-310.

③				
②				
①	<b>Patch Panel</b>	<b>SEEC, metal 1U</b>	<b>1</b>	<b>Pcs</b>
<b>NO.</b>	<b>PART NAME</b>	<b>SPECIFICATION DESCRIPTION</b>	<b>QT' Y</b>	<b>UNIT</b>

<b>DRAWN BY</b>	<b>DATE:</b> 2012/08/20	<b>DESCRIPTION:</b> Hinged Wall Bracket management 1U
<b>CHECKED BY</b>	<b>SHEET</b> 1of1	<b>ITEM NO.</b> CM01022151
<b>APPROVED BY</b>	<b>SCALE</b> 1:1	<b>REV.</b> 00 <b>UNIT:</b> mm