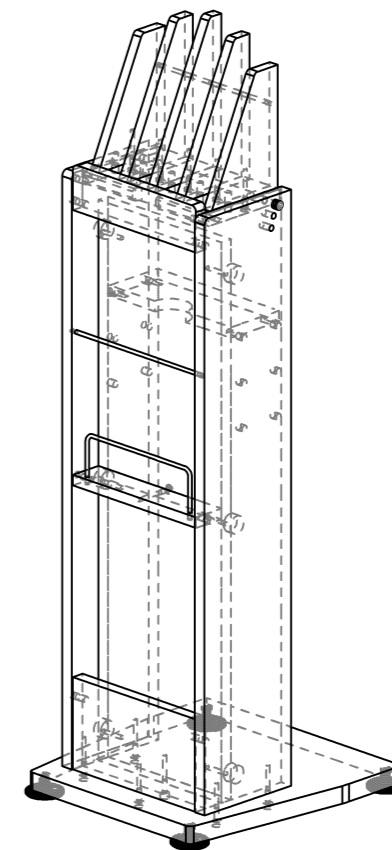
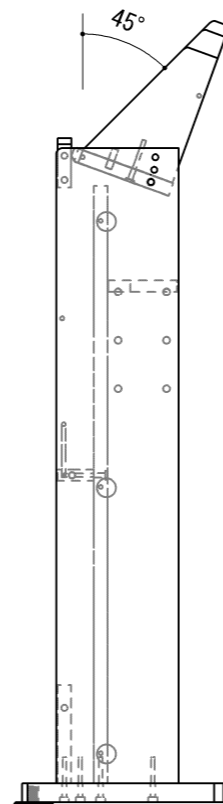
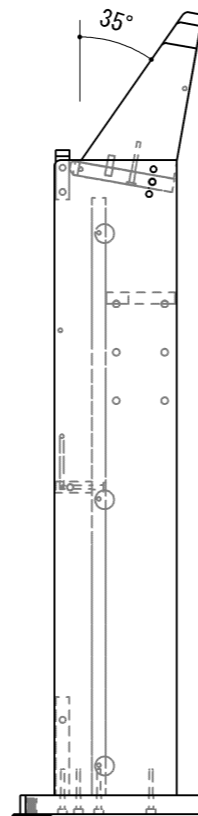
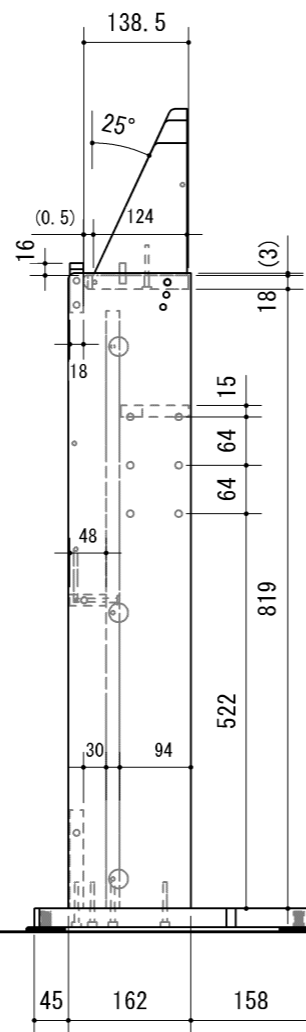
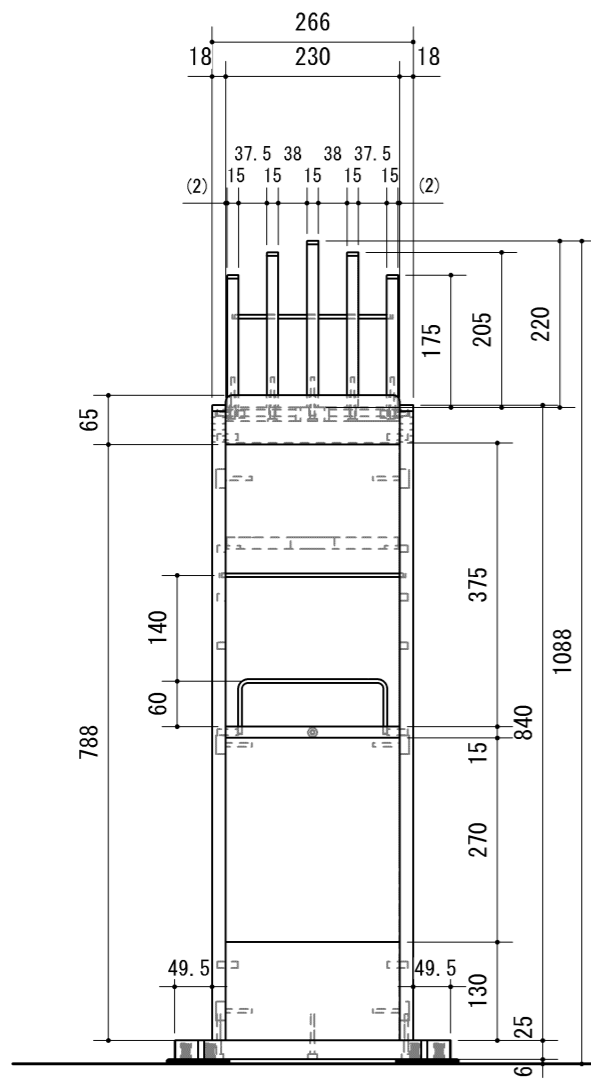
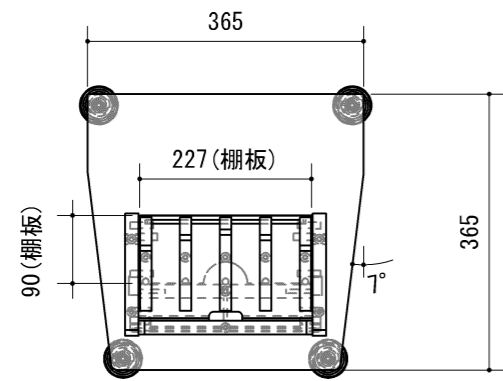


対応サイズ : 7~13in.



△ X			
△ X			
△ X			
△ X			
△ X			
MARK	ALTERATION CONTENTS	ALTERATION DATE	DRAWN BY

DATE: 2022. 11. 11

STAMP	STAMP	承認 APPROVED BY	検図 CONFIRMED BY	担当 PLANNED BY	製図 DRAWN BY	部品名称 TITLE ASSEMBLE DRAWING
						型名 MODEL No. TS-BRK11-GB11
		単位 UNIT mm	尺度 SCALE 1/10	個数 QTY	図番 DRAWING NO.	