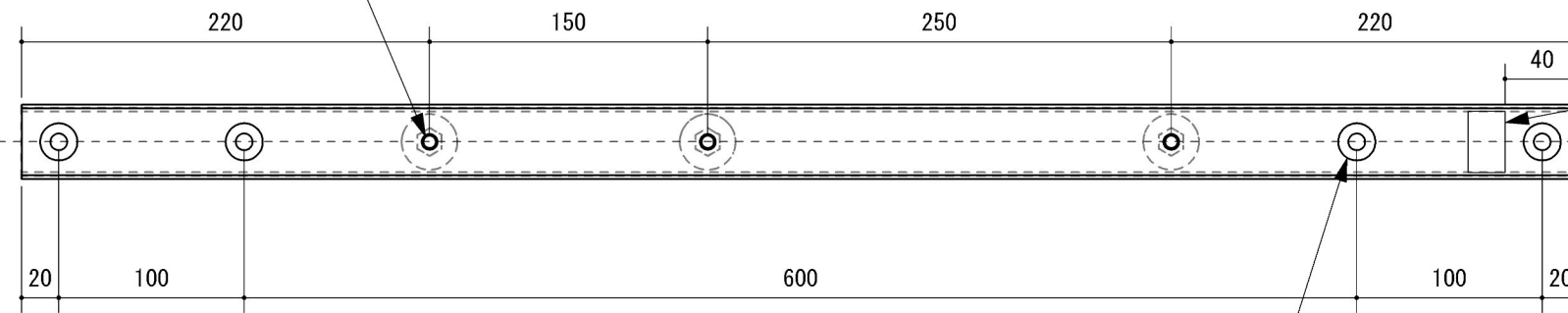
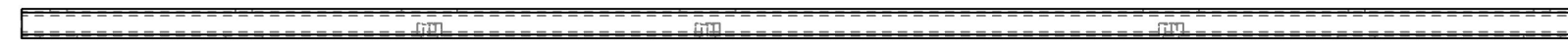


No.	PARTS NAME	MATERIAL	NOTES	QTY
①	CONVERSION BRACKET	STEEL PAINTED BLACK	3-M8 NUT WELDING	2
②	BOLT	Cr3 M8x16	with WASHER, SPRING WASHER	6

▼3-φ8.5 hole (Only back side)

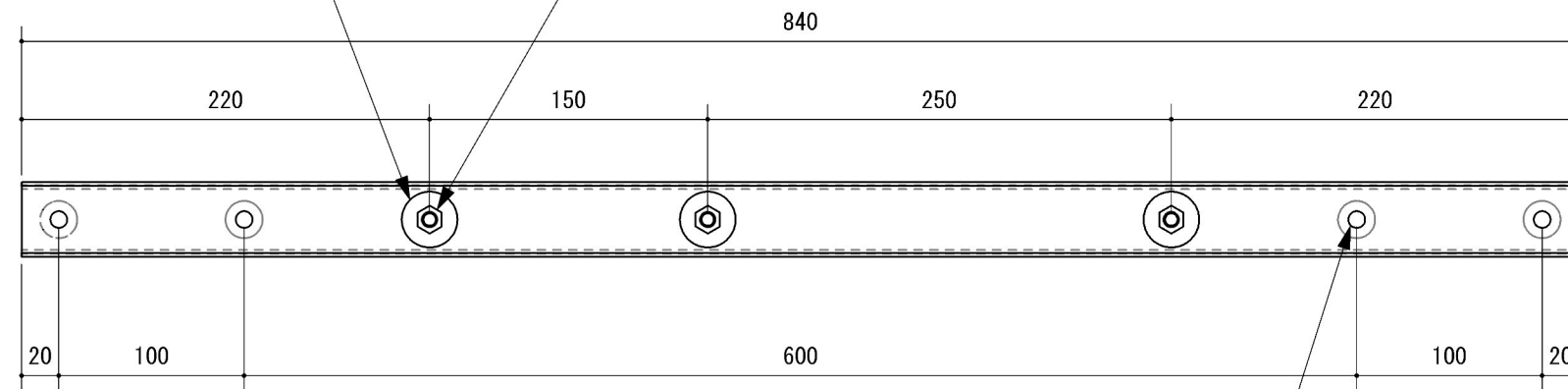


▼4-φ20 hole (Only back side)

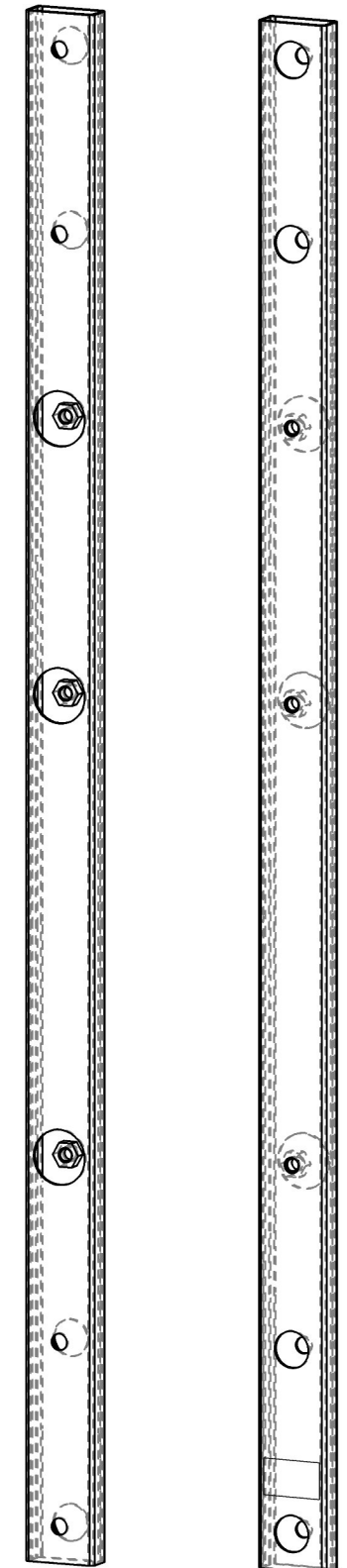
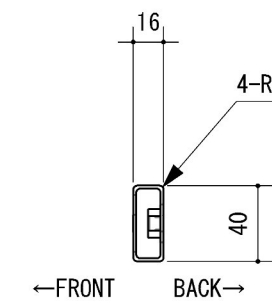


▼3-φ30 hole (Only front side)

▼3-M8 NUT WELDING (Only back side from inside)



▼4-φ9 hole (Only front side)



NOTE) RoHS Compliance  
 NOTE) WITHOUT BURR, SHARP-EDGES, RUST.  
 NOTE) PAINTING COLOR : BLACK  
 ref. Painting color sample.

MARK	ALTERATION CONTENTS	ALTERATION DATE	DRAWN BY
△ x			
△ x			
△ x			
△ x			
△ x			

DATE: 2023. 01. 26

承認 APPROVED BY	検図 CONFIRMED BY	担当 PLANNED BY	製図 DRAWN BY	部品名称 TITLE
				ASSEMBLE DRAWING
				型名 MODEL No.
				OPT-003-BK
			個数 QTY	図番 DRAWING NO.