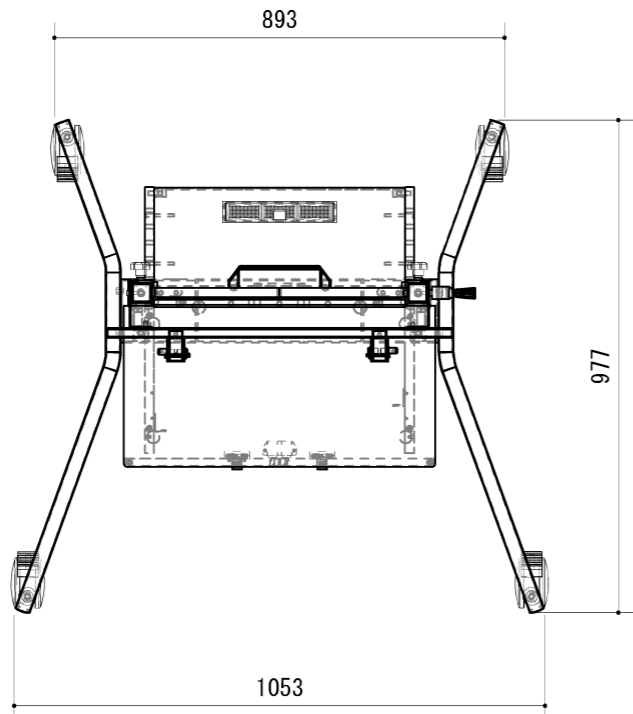


| | | | |
|------|---------------------|-----------------|----------|
| △ X | | | |
| △ X | | | |
| △ X | | | |
| △ X | | | |
| △ X | | | |
| MARK | ALTERATION CONTENTS | ALTERATION DATE | DRAWN BY |

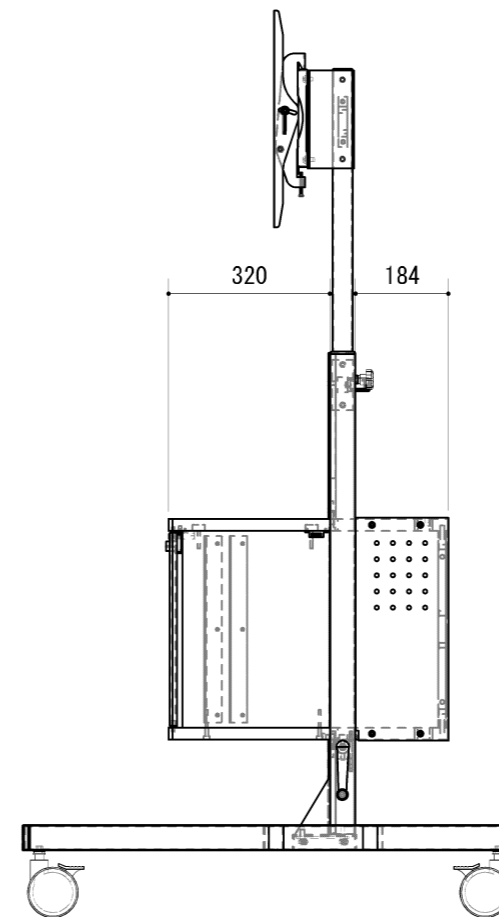
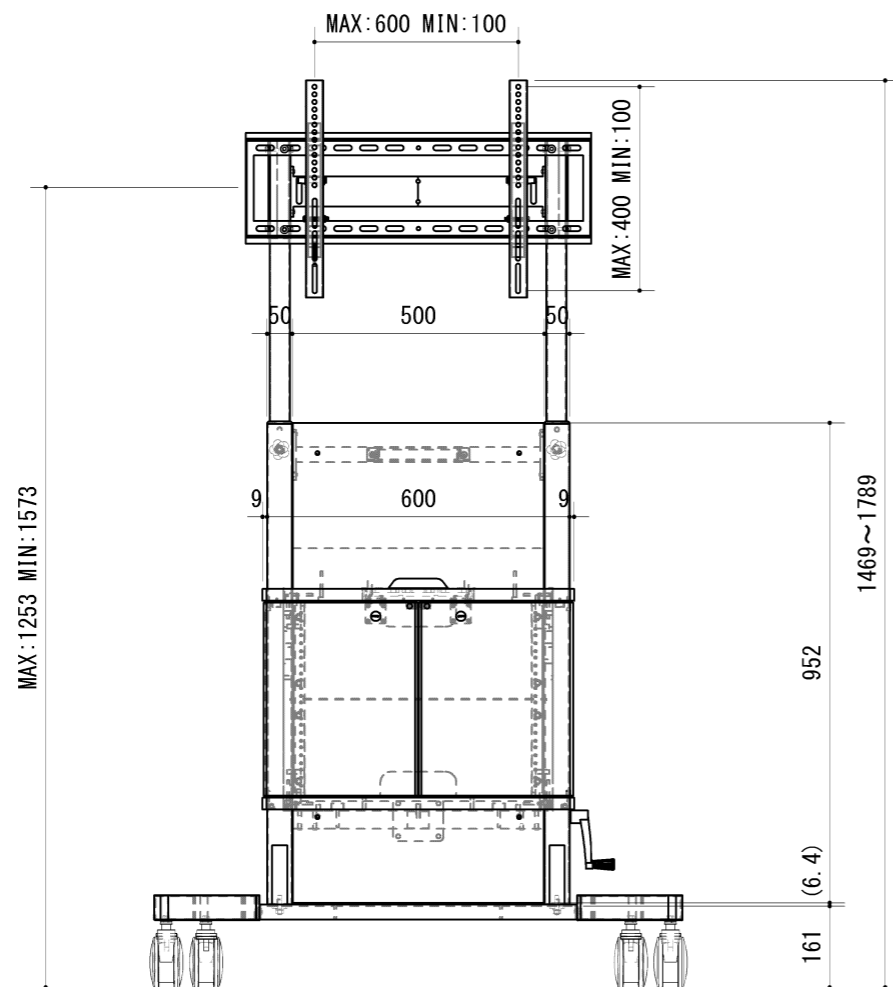
DATE: 2022. 9. 23

| | | | | |
|----------------------|--------------------|------------------|--------------------|------------------------------|
| 承認 APPROVED BY | 検図 CONFIRMED BY | 担当 PLANNED BY | 製図 DRAWN BY | 部品名称 TITLE 仕様書 (2/2) |
| | | | | 型名 MODEL No. PS-KBT11-EIA |
| 3RD ANGLE PROJECTION | | 単位 UNIT mm | 尺度 SCALE 1 / 10 | 個数 QTY |
| STAMP | | | STAMP | |
| | | | | 図番 DRAWING NO. |



対応サイズ
 ヨコ設置 : 43~77V
 タテ設置 : 55~65V

耐荷重
 ディスプレイ : 70kg
 ラック天板 : 10kg
 ラック内 : 30kg



| | | | |
|------|---------------------|-----------------|----------|
| △ X | | | |
| △ X | | | |
| △ X | | | |
| △ X | | | |
| △ X | | | |
| MARK | ALTERATION CONTENTS | ALTERATION DATE | DRAWN BY |

DATE: 2022. 9. 23

| | | | | | | |
|-------|-------|-------------------|--------------------|----------------------|----------------|------------------------------|
| STAMP | STAMP | 承認 APPROVED BY | 検図 CONFIRMED BY | 担当 PLANNED BY | 製図 DRAWN BY | 部品名称 TITLE 仕様書(1/2) |
| | | | | | | 型名 MODEL No. PS-KBT11-EIA |
| | | 単位 UNIT mm | 尺度 SCALE 1/12 | 3RD ANGLE PROJECTION | 個数 QTY | 図番 DRAWING NO. |