

## Company Profile

### Empowered by BIG Ideas



2023. 04



iCreation Inc. is a technology innovation company of Xingtel International Inc., with its headquarters in Markham, Ontario Canada. We design, manufacture and distribute a broad range of wireless connectivity products. Our management team consists of enthusiastic entrepreneurs with management experience in the telecommunication industry for more than 29 years. iCreation covers more than 35 countries and regions.

Our core capabilities that are reflected in our product design are in electronic and mechanical design, RF design, PCB design, bluetooth communication and software development. We are dedicated to creative innovation and development of high quality telecommunication and radio frequency and bluetooth control products.

iCreation's sole manufacturer is headquartered in Xiamen, China and is a leader in a broad variety of telecommunication products. The strength of their organization assures iCreation of worldclass quality and production capacity to meet our everincreasing market requirements. Their MFi 6.0 license from Apple, gives us assurance of providing our customers with trouble free performance.

# VAULT

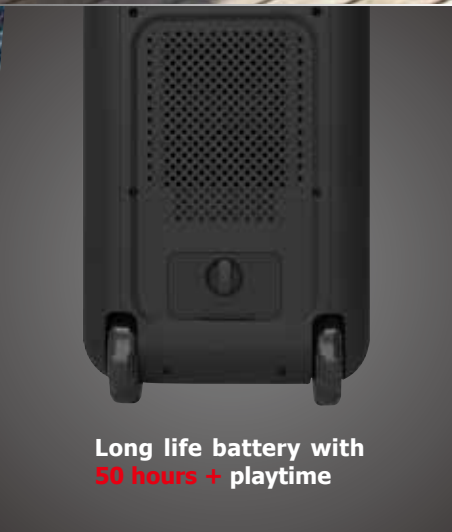
## BT-309

Transportable Audio System

Designed in Canada by Gibson



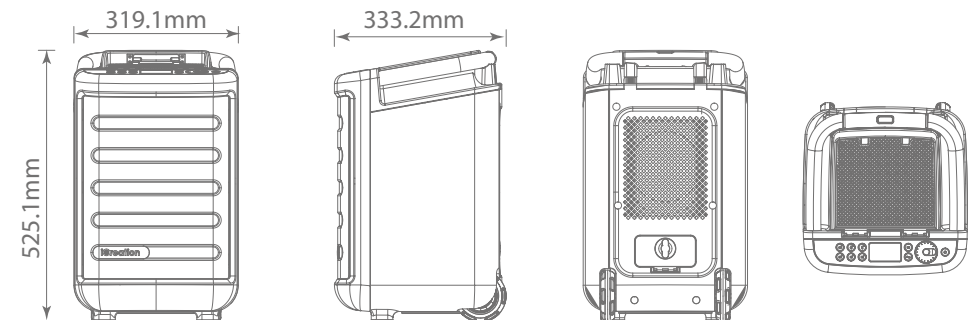
## CHANGING THE PICTURE OF SOUND



- Waterproof/Dustproof: IP67
- Woofer: 8" (203.2mm), 4ohms / 30W
- Tweeter: 3" (76.2mm), 4ohms / 15W
- Amplifier: Class D
- Speaker output power: 100W (peak)
- S/N Ratio: 90dB
- Frequency response: 50Hz-20KHz
- Battery: 12V 7Ah lead-acid battery
- Bluetooth: V4.0
- Bluetooth frequency band: 2.402 - 2.480 GHz ISM spectrum
- Bluetooth range: 10m (up to 30m in open area)
- TrueWireless Stereo range: 9m between two speakers
- USB output: 5V 2.1A \* 1
- FM: 87 - 108 MHz
- AM: 500 - 1710 KHz
- AC power input: 100~230V, 50/60Hz
- Charging time: about 8 hours
- Play time: 50+ hours play time
- Storage Temperature: -40°C to 50°C
- Operating Temperature: -5°C to 35°C



- IP67 Waterproof and Dustproof
- 8" woofer + 8" passive radiator + 3" tweeter
- 100W peak power
- Light up the party to astound your crowd with a lasting visual experience (optional).
- Long life battery with 50 hours + Playtime
- Back-lit display
- Jog wheel selection control
- Retractable handle and rugged big wheels for easy transport
- USB input port with built-in USB Player













# GIBSON PRODUCT DESIGN



Gibson Product Design is a 3-person design office, working in high technology industrial design for over 30 years. Experienced in developing products from concept through manufacturing in a wide variety of sectors, including business, health, and consumer electronics. Gibson has a reputation for design that combines high utility with sophisticated appearance, and have helped to win more CES Innovations and Best of Innovations Awards than any other Canadian company. Based in Ottawa, Canada's primary technology center, Gibson is a full service office, carrying projects from initial strategy and concept through production CAD and documentation.

## RECOGNITION

 <p>Nov. 2012 CES Las Vegas – Innovations Award Definitive Technology Sublimus iTC</p>	 <p>Nov. 2011 CES Las Vegas – Best of Innovations Award WEL WIRESET</p>	 <p>Jan. 2011 CES Las Vegas – Innovations Award Esoter Solar Technologies Powerbit</p>	 <p>Jan. 11 CES Las Vegas – Best of Innovations Award Definitive Technology/NTC-80</p>	 <p>Jan. 09 CES Innovations – High Performance Audio Definitive Technology/ MYD04 513</p>
 <p>Jan. 08 CES Las Vegas – Innovations Award Gymtrak M-8300 Bluetooth Headset</p>	 <p>Jan. 07 CES Las Vegas – Innovations Award Definitive Technology MyPro 30</p>	 <p>Aug. 05 Electronic House – Best Products H2Tel / Carlini Technion AV Console</p>	 <p>Jan. 05 Manning Innovation Awards Terranet Communications / Safety Tube</p>	 <p>Aug. 05 Design News – Best Products Zhu / D-L Audio/Video</p>

## CLIENT SHORTLIST

# All-Terrain Bluetooth Speaker



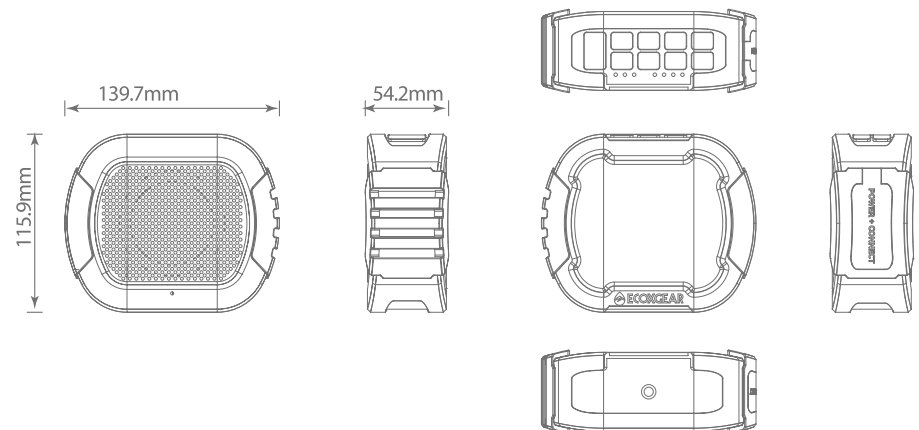
BT-143

Bring the sound stage wherever you go



- Bluetooth: V4.2
- RGB LED Party lights which sync to the music
- Power input: Micro USB charging input jack
- Audio input: Bluetooth and 3.5mm Aux in
- Speaker: 15W
- Battery: Lithium battery, 2600mAh, 3.7V
- Length: 147.7mm
- Width: 155.1mm
- Height: 124.1mm
- Weight: 480g

- IP67 Waterproof and Dustproof
- Shock-resistant
- 15W speaker
- TWS play for a stereo sound
- Handsfree speakerphone
- Music playtime 15+ hours
- Bluetooth V4.2



# Portable Waterproof Speaker



ID-2302

The ultimate companion for all your adventures



Built to survive summer/outdoors

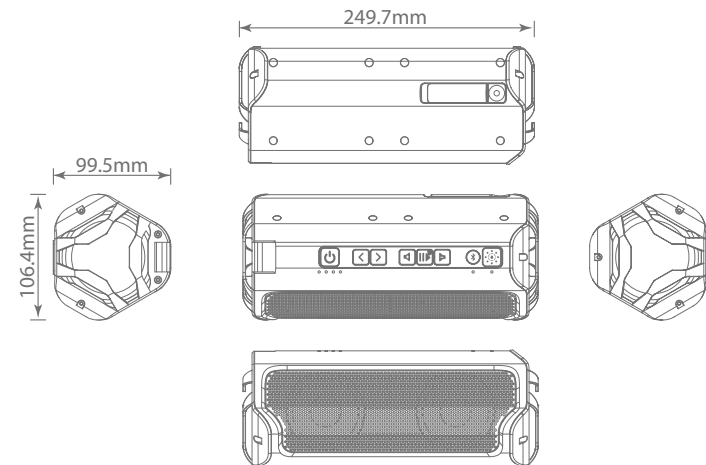


**IP67** Dustproof and Waterproof

- Bluetooth 5.3
- IP67 Waterproof / Shock Resistant
- Big sound & long playtime packed into a slim, rugged, and portable size
- 2 x 15W Loud speaker with 2x large bass enhancing passive woofer
- 4800mAh built in rechargeable battery
- 50+ hours of playtime
- Pair two speakers wirelessly with True Wireless Stereo(TWS) technology for bigger sound
- Bottle Opener
- USB type-C charging input

50+ hours playing time

Keeps up with you all day



# Outdoor Karaoke Speaker

with two wireless MIC



BT-376

Sing anytime and anywhere



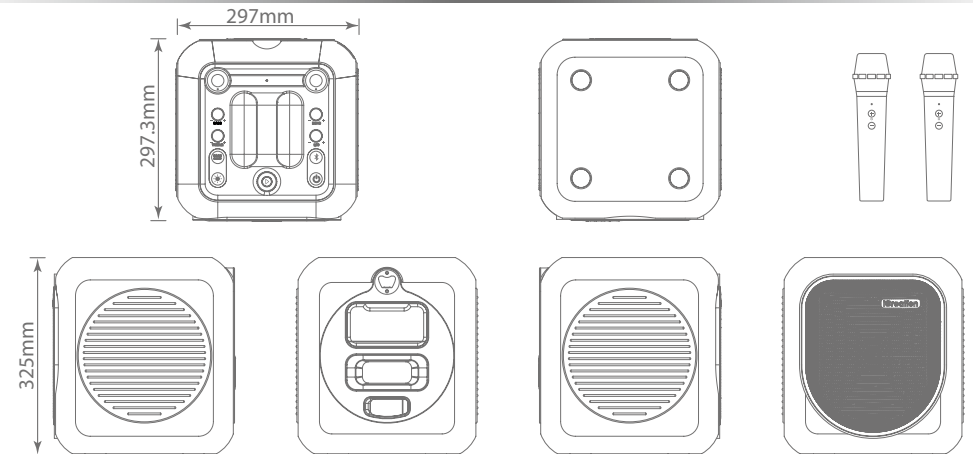
- 100W compact all-in-one PA system built for easy carry
- IPX5 water resistant for outdoors
- Plug and play Karaoke system with 2 premium UHF wireless mics
- True Wireless Stereo(TWS) technology for bigger sound
- 14.8V 5200 mAh built-in rechargeable battery last 50+ hours
- 1x1/4" jack for wired Microphone or Guitar Input
- LED party lights with 30+ modes
- Bottle Opener



- Bluetooth 5.3
- Configuration: 8" woofer + 2x2" tweeter provide impressive full-range sound
- Multisource playback via Bluetooth, USB stick or plug in with AUX cables
- Frequency Response: 50Hz-20kHz
- Sensitivity: 95dB (+/-2dB)
- Impedance: 4 Ohm
- S/N Ratio: >50dB
- T.H.D.: <1%
- Digital Audio File Compatibility: MP3, WMA, ACC



Enrich your camping with singing

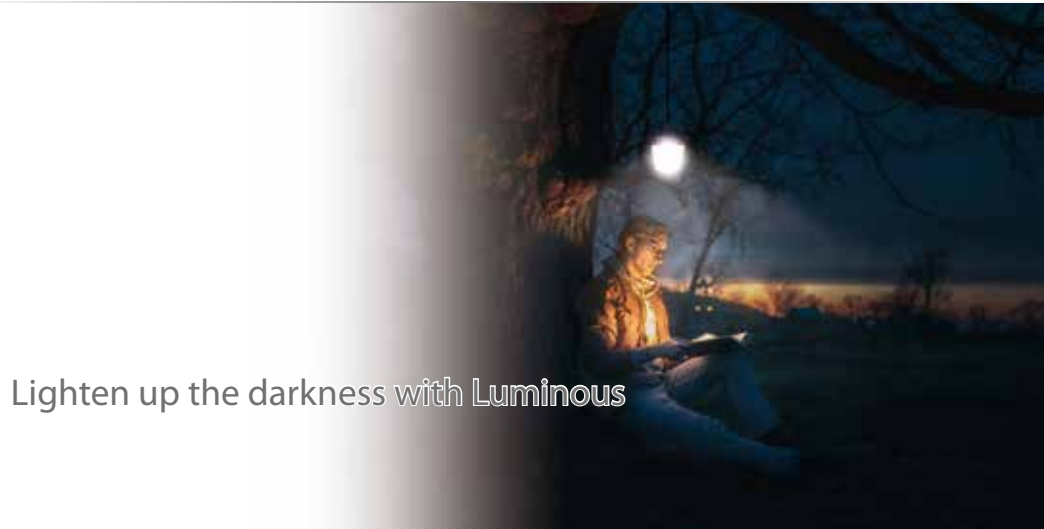


# Outdoor Waterproof Lantern



ID-2301

Compact and light weight  
it's the perfect companion for all your travels

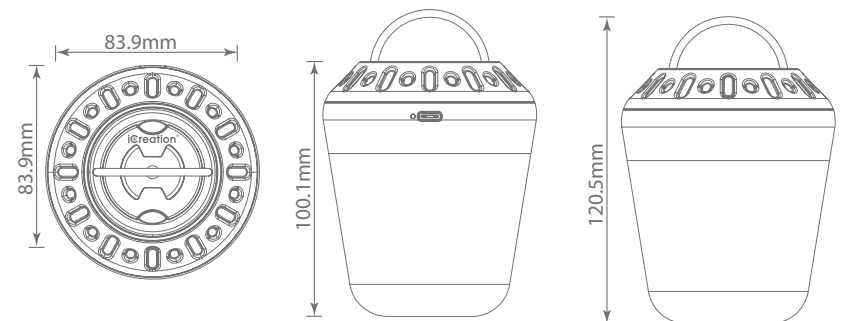


Lighten up the darkness with Luminous

- IP67 Dustproof and Waterproof
- Shock Resistant, Submersible and Floats
- Compact size and durable design
- 3000K / 5000K color modes
- Easy touch control
- Up to 600 lumens max brightness with 5 brightness settings
- 2600mAh rechargeable battery for 20+ hours constant light
- Foldable hook for hanging
- Magnetic base for metal surfaces
- Bottle opener
- 360° light
- USB type-C charging input



Magnetic Base



# PLAY IT LOUD!

## EcoBoulder +

BT-308



Carry Handles  
& Retractable  
Long Pull Handle



- Audio Equalizer Control
- EcoTalk button for easy Voice Assistant ( Siri and OK Google) activation

## IP67 Waterproof - Rough & Tough!



Removeable  
Accessory  
Pouch &  
Waterproof  
Phone Case

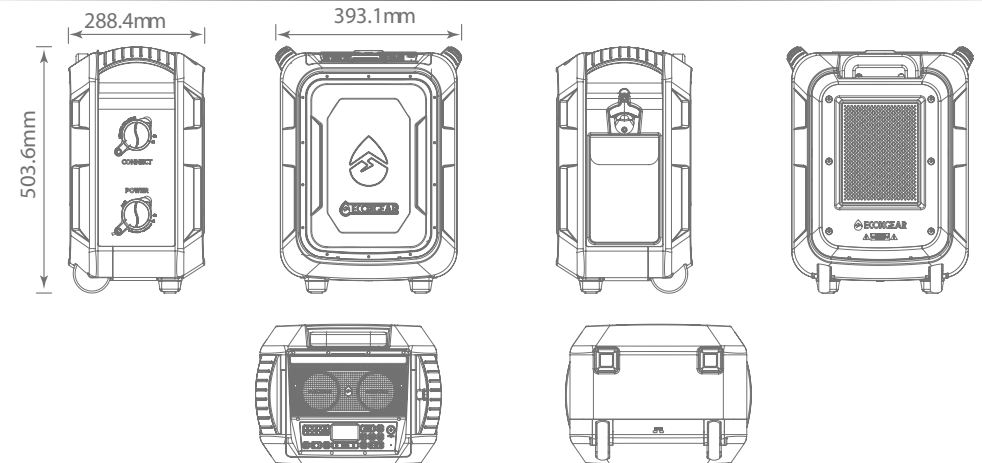
Bottle Opener &  
Dual Cup Holders



- Length: 288.4mm
- Width: 393.1mm
- Height: 503.6mm
- Weight: 12.25kgs
- Dual 5V USB out 2.1A / 1A
- 110-230V, 50-60Hz AC IN
- 2 – Aux In (3.5mm)
- Mic In (6.5mm)
- SLA Rechargeable Battery
- Over 50 hours playtime
- Fully re-charges in 7-8 hours



- Retractable Handle for Easy Transport
- LED Display for Easy Viewing in Sunlight
- Back-lit Buttons for Night Viewing
- Anti-Corrosive Metal Grill
- Secure Cradle for Tablet or Phone
- Protective Rubber Pad for Mobile Devices
- Rugged Handles for Lifting
- Waterproof Compartment to keep Phone Safe, Dry, and Charged
- Heavy Textured Finish for Ultimate Protection



100  
WATTS  
PEAK POWER



50+  
HOURS OF  
PLAYTIME





# EcoBoulder **MAX**

## Waterproof Outdoor Speaker



WIRELESSLY CONNECT **50** UNITS.



BT-322



**2 CUP  
HOLDERS**

**Qi Wireless  
Charging Pad**



**Bluetooth® AUX IN  
AM/FM RADIO**

**WIRELESSLY STREAM  
MUSIC VIA BLUETOOTH® 5.0**

CONNECT MUSIC PLAYER  
WITH AUX-IN CABLE

**LISTEN TO  
AM/FM STATIONS**

- Bluetooth 5.0
- 100% waterproof and dustproof. Meets IP67 standards.
- Drop the EcoBoulder Pro in your pool, lake or ocean, no worries – it floats.
- 120-watts dynamic power amplifier for massive sound.
- 50+ hours of playtime at typical listening levels.
- 5 preset equalizer sound profiles.
- 3-way speaker system w/ 8" full range main driver + 3" Tweeter + Oval passive subwoofer
- 3.5mm Aux-in jack to play from any wired audio source.
- Digital AM/FM radio and save up to 5 of your favorite stations to 1 press presets.
- Build-in MIC for Siri & Google support and speakerphone capability.
- USB-A charge out for portable devices .
- Back-lit buttons and large LED display for night viewing.
- Oversized rugged wheels and telescoping handle for easy transport.
- EcoCast Pair up to 50 EcoBoulder Pro's together at a distance up to 30 feet between the two speakers and be completely immersed in sound. EcoCast speakers cannot connect to EcoConnect enabled speakers.



**5V Charge Out**

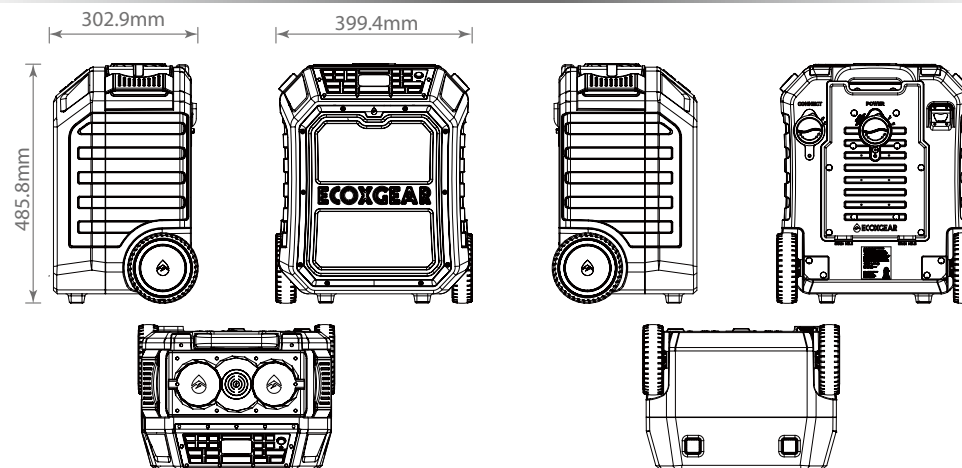
Charge a smartphone / tablet

**Aux in**

Wired audio connection

**Mic in**

For PA & Karaoke





EcoBoulder Pro  
BT-322A



waterproof dry storage



New front end

EcoBoulder Extreme  
BT-322C



New front end



EcoTundra  
BT-322B



New front end





# ECOTREK STEREO

## Bluetooth® Speaker

BT-307

WIRELESSLY CONNECT 2 UNITS  
FOR **100** WATTS OF SOUND



**Bluetooth® AUX IN**  
**AM/FM STEREO**

**WIRELESSLY STREAM MUSIC VIA BLUETOOTH®**  
CONNECT MUSIC PLAYER WITH AUX-IN CABLE

**LISTEN TO AM/FM STATIONS**



- 100% waterproof and dustproof. Meets IP67 standards
- Drop the EcoTrek in your pool, lake or ocean, no worries – it floats
- 100-watts dynamic power amplifier for massive sound
- 5 preset Equalizer settings for optimized sound profile
- 6-ways speaker system with 2\* 5.25" full range + 2\* 5.25" passive woofer + 2\* 2.5" tweeter
- Play on standard AC wall power for continuous play, or up to 50+hrs on the rechargeable battery
- Digital AM/FM radio with 6 preset
- Built-in Mic/Speakerphone
- EcoTalk button for easy voice assistant (Siri and OK Google) activation
- 5V USB port for portable device charging
- Back-lit buttons and large LED display for night viewing
- Wireless pairing of two speakers using EcoConnect



**Charge Out**

Charge a smartphone / tablet

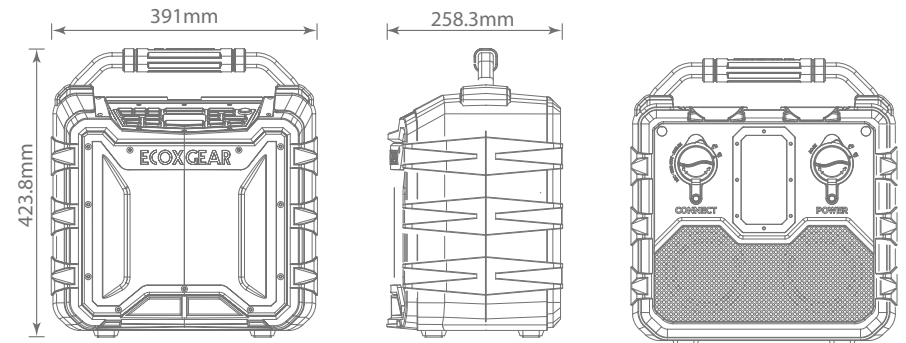
**Aux in**

Wired audio connection

**Mic in**

For PA & Karaoke

**x2 Subwoofers**



# Soljam BT-353



## Recharge Your Devices.

USB Port for recharging your phone or tablet

### Optimized Stereo Sound

Dual speakers with 20W Peak Power & a large subwoofer for enhanced bass



### Party Lights

Multicolor LED lighting with 7 modes: White, White (Low), Green, Red, Blue, Music Sync, and Color Fade

### HD Solar

High density solar panel keeps your battery charged

### Rugged & Waterproof

IP67 waterproof, floating & rugged drop-proof design

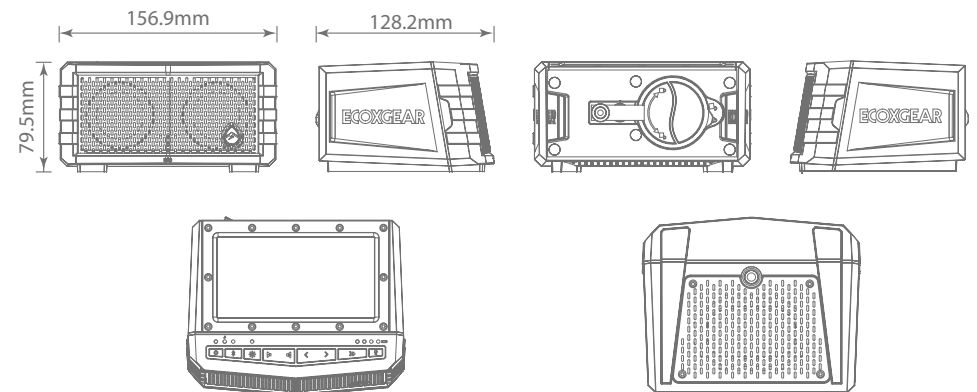
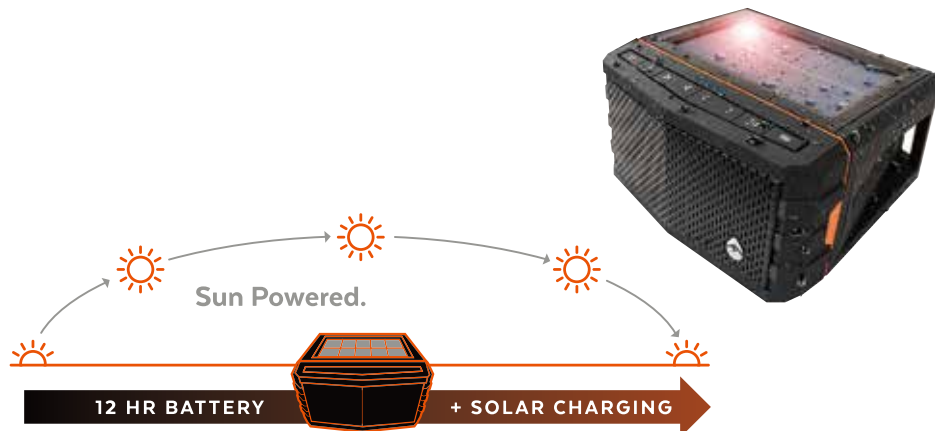
### EcoCast

Wirelessly connect up to 50 speakers with EcoCast

### Recharge Your Devices

USB port for recharging your phone or tablet

- IP67 Waterproof and Rugged design
- Bluetooth 4.2
- 2 x 10W loud speakers (20W total) and large passive subwoofer
- Integrated high efficiency solar panel from Suncore
- Rechargeable battery provides 12+hrs of playtime
- Charge out port for recharging your devices



# SPEAKER + STORAGE

EcoJourney  
BT-339



Wirelessly Connect  
Up to 50 Units



100in<sup>3</sup> waterproof dry storage that  
keeps your stuff dry



- Bluetooth 5.0
- 100% Waterproof (IP67)
- 100 cubic inches large Waterproof dry storage
- 65 Watts peak power
- 3 marine grade speaker system: 1 x 3.7" Coaxial midrange with integrated 1.5" tweeter and 1 x 5 1/4" woofer
- 50+ hours of playtime
- 20,000mAh build in lithium battery
- ECOCAST - Connect up to 50 EcoJourneys together and connect to any ECOXGEAR speaker with the ECOCAST feature
- Siri / Ok Google integration
- Fast Charge PD



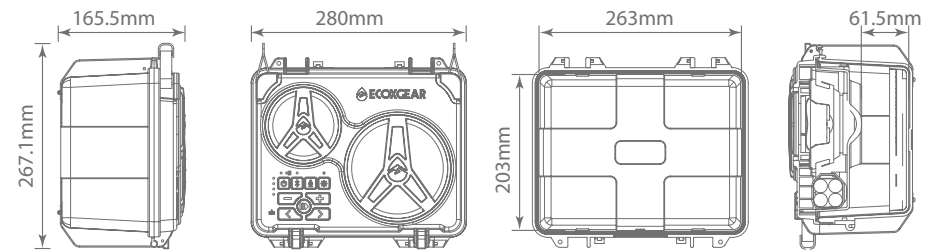
65  
WATTS

50+ HR  
PLAY TIME

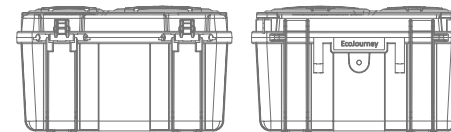
IP67  
WATERPROOF

20,000 mAh  
POWERBANK

EcoCast  
STREAM UP TO 50 ECOCAST  
ENABLED DEVICES.



inside storage space



# Waterproof Case + Bluetooth® Speaker



integration with Zello APP



Ecoextreme2  
BT-337



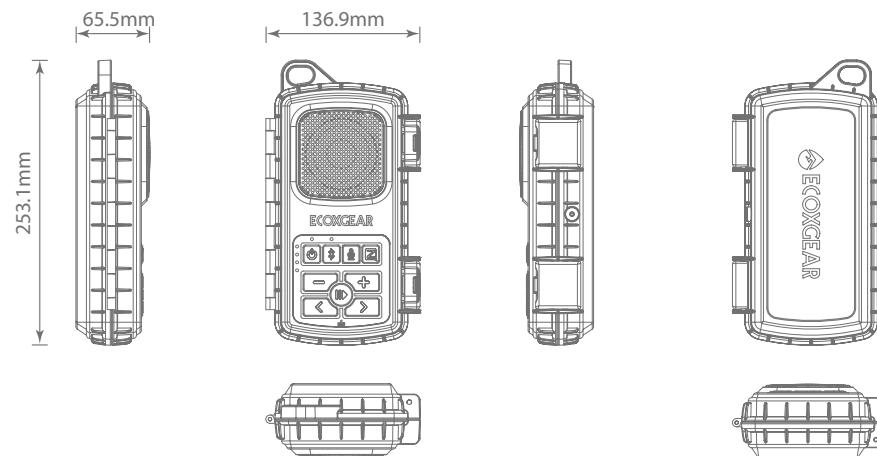
## Keep your stuff safe and dry

The EcoExtreme 2 has 30 cubic inches of waterproof storage for XL phone, keys or other personal items.

- Bluetooth 5.0
- 15W loud full range speaker
- IP67 Waterproof, shock resistant, sand proof. It even floats!
- 30 cubic inches of waterproof dry storage for key fob, credit cards and phones, accommodate to big phones like iPhone 13 Pro Max, Samsung Galaxy S22 Ultra
- Walkie talkie feature integration with Zello APP
- Siri / Ok Google integration
- Built in MIC for speakerphone function
- 15+ hours of playtime
- Charge out port for recharging your devices

## Rugged & Floats

The EcoExtreme 2 is built tough to withstand the bumps and bruises of your adventures. It also floats!



# Rugged Waterproof Lantern Speaker

Ecolantern  
BT-141



# 360° Sound + Light

Proprietary sound cone creates rich sound quality in every direction. In addition, the bright 400 lumen warm white light produces a full 360° light pattern.



## Emergency Mode

Bright flashing white and red light to attract attention in emergency situations.



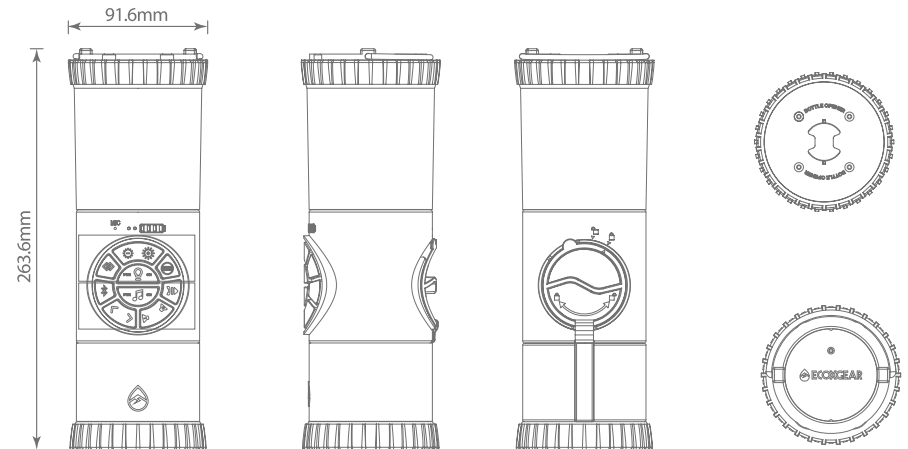
## Party Light Mode

Two multi-colored party light modes - Fun music synced mode and relaxing color changing mode.

- Width: 91.6mm
- Height: 263.6mm
- Weight: 0.73kg
- Micro USB charging input jack
- USB Type A device charge output jack
- Powered by Rechargeable Built-in Lithium Battery
- Includes rapid charge AC charge Adapter
- Battery size: 4400mAh, 3.7V



- IP67 Waterproof / Shock Resistant
- 400 Lumens max brightness
- Loud 5W speaker with 360° sound
- White, Red, Party, and Emergency light modes
- 4400 mAh Mobile Charging
- Fast Charging USB Out Port (2.1A)
- 180° of 360° Light patterns with 5 brightness settings
- Siri and OK Google compatible
- EcoConnect compatible - pair two units together for stereo sound



Car & Truck

# EMERGENCY Jump Starter + XL-9160



Complete Jump Start Kit



Rechargeable Battery



Dual Fast Charge Ports



Safety Features



Shock Resistant



Hazard Lights & Flashlight



Bluetooth Low Energy



Waterproof & Dustproof



Complete Jump Start Kit



15,000 mAh Powerbank



Hazard Flashing Lights



Flashlight

## App connected

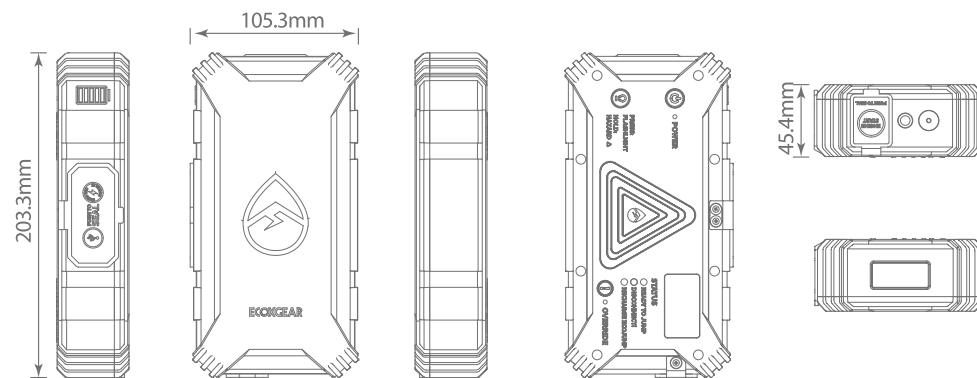
Enhance your experience with the ECOXGEAR mobile app. Your smartphone (Android and iOS) monitors the battery level of the EcoJump charger and sends notification messages when the battery levels are low. Additional features include access to performance levels of EcoJump Battery and temperature level, customized notifications, step by step guide to jump starting your car and online access to user manual



- Length: 105.3mm
- Width: 203.3mm
- Height: 45.4mm
- Weight: 0.77kg
- Micro USB charging input jack
- 2x USB Type A device charge output jack
- Custom high-current 12V jump start output jack
- Powered by Rechargeable Built-in Lithium Battery
- Charging time approx. 7 hrs
- Charging estimates for USB devices
- Tablet – 100% x 1+
- Smartphone – 100% x 3+
- Digital Camera – 100% x 10+
- Jump start standard car engine 50+ times
- Jump start V8 truck engine multiple times



- IP67 Waterproof / Shock Resistant
- 50+ Jump Starts per Charge
- 600 Peak Amps – 6.0 Liter Gas & Diesel Engines. Car, Truck, Boat, Motorcycles
- 200 Lumen Flashlight & Strobing Hazard
- 15,000 mAh Mobile Charging
- 5 step LED battery Gauge
- 2 Fast Charging USB Out Ports (2.1A x 2)
- Super Safe Mistake Proof design with Reverse Polarity Notification & Spark Protection
- Override option for very low voltage situations.
- iOS/Android App to monitor wireless charge status notification via Bluetooth



BLE  
BLUETOOTH LOW ENERGY



# Your One Stop Solution for Smart Home



WORKS WITH  
amazon alexa

works with the  
Google Assistant

if this then that

## Voice command with your mobile devices



"Hey Siri, turn off the light"

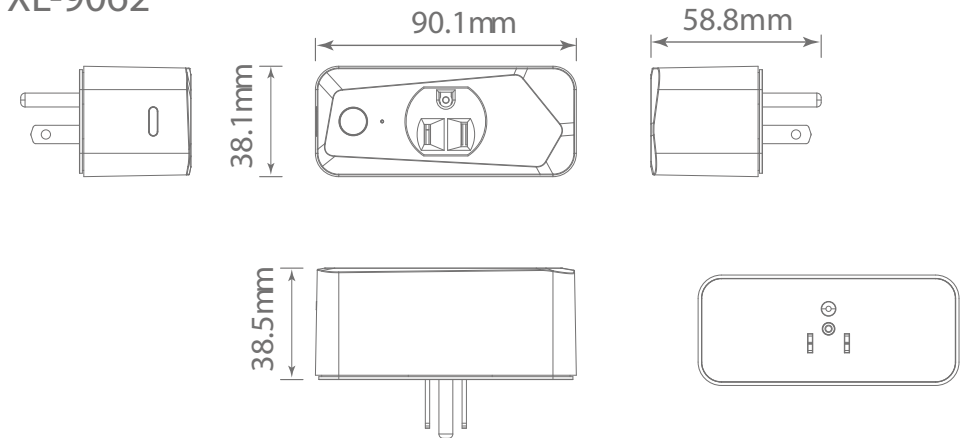
Ask the intelligent personal assistant on your mobile devices for voice control, totally handsfree.

## An integrated smart home solution built with you in mind



By using app and mobile devices, you are able to easily control, monitor and schedule connected devices anytime from anywhere.

### XL-9062

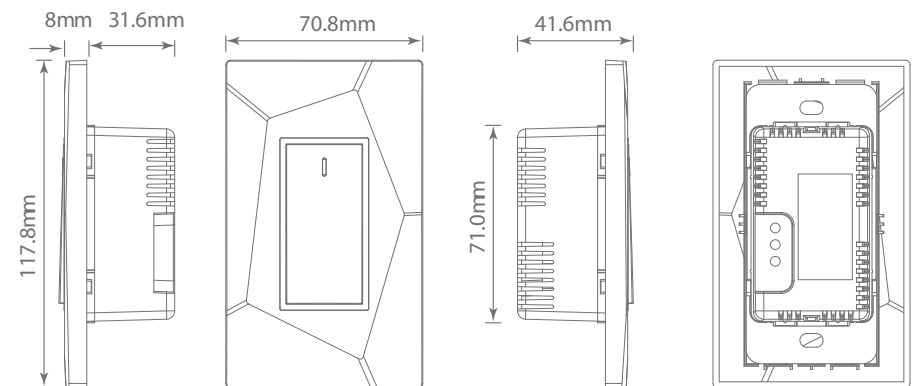


## Add a little smartness to your things

Make traditional single or multiple lights into an intelligent lighting system.  
Create different scenes for better control.



### XL-9176





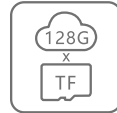
CL-3297

## Wi-Fi Video Doorbell

The New Face of Smart Home



Live View 24/7 Monitor



Cloud and Local Storage

## Your Personal Gatekeeper to a Connected Home



### Improved User Experience

Ultra large button makes the task as simple as a mouse click. Users simply have to apply a gentle press or flex on the elbow to actuate the button.

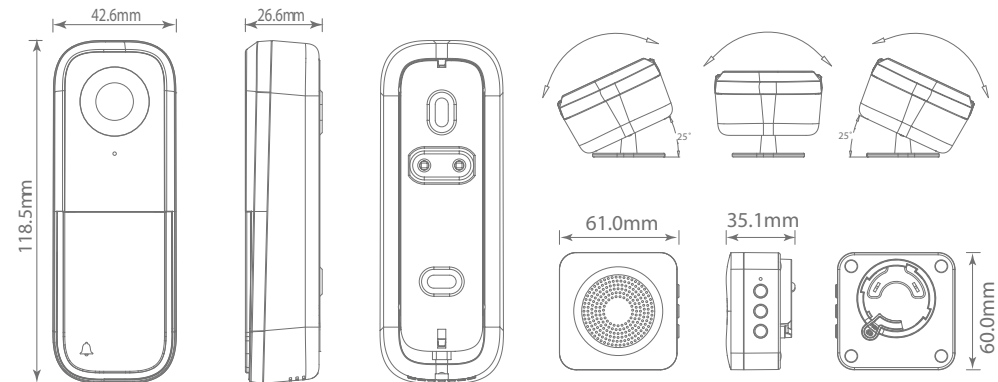
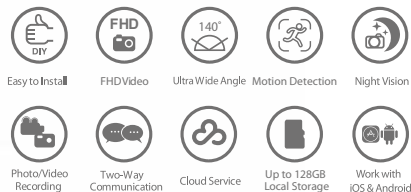


### Specifications

- Motion sensors
- Cloud and local storage (support TF card upto 128G)
- Wall mount bracket for multi-angle adjust
- IP55 dustproof and waterproof
- Wireless indoor chime (optional)
- Resolution: HD 1920\*1080, Balanced 640\*360, Smooth 640\*360
- Focus: f=2.96mm F/N = 2.4
- Audio input/output: Built-in two way audio and Microphone
- Inferred: 6pcs IR LEDs for night view
- APP for smart phone: IOS & Android
- Angle of view: 140° horizontal
- Wireless Security: WEP, WPA, WPA2
- Power specification : AC 10-24V
- Wi-Fi Protocol: Wi-Fi/802, 11b/g/n
- Wi-Fi Distance: 100m outdoor, 50m indoor
- Operating Temperature: -20°C~ 50°C
- Operating Humidity: 0% ~ 95%RH

### Never miss your visitor

The Wi-Fi doorbell is the smart video doorbell that allows you to answer your door with smartphones anytime anywhere



## Wi-Fi Video Doorbell

Secure, Reliable, Hassle-free  
You personal door butler



CL-3239



See who's at your door from your mobile device.



Use smartphone to remotely access your video doorbell

Never miss your visitor

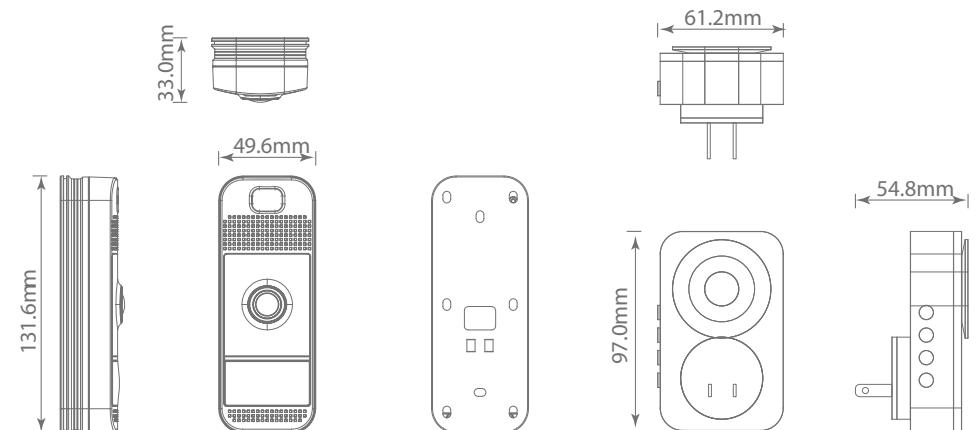
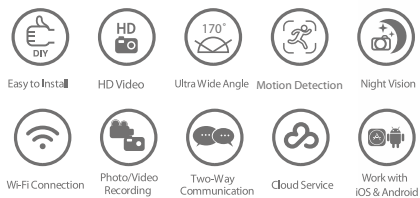


### Specifications

- AGC: Automatic
- White Balance: Automatic
- Resolution: HD, 1280\*720; Balanced: 640\*360; smooth: 320\*180;
- Focus: f=1.3mm F/N = 2.5
- Audio input/output: Built-in two way audio and Microphone
- Infrared: 8pcs IR LEDs
- APP for smart phone: iOS, Android
- Angle of view: 170° horizontal
- Wireless Security: WEP, WPA, WPA2
- Power specification : AC 10-24V, DC 10-36V
- Wi-Fi Protocol: Wi-Fi/802, 11b/g/n
- Wi-Fi Distance: Outdoor: 100m, indoor 50m
- Operating Temperature: -20°C ~ 50°C
- Operating Humidity: 0% ~ 95%RH

### Know the Knock

The Wi-Fi doorbell is the smart video doorbell that allows you to answer your door with smartphones anytime anywhere



# Spotlight Camera

Cover more, miss less

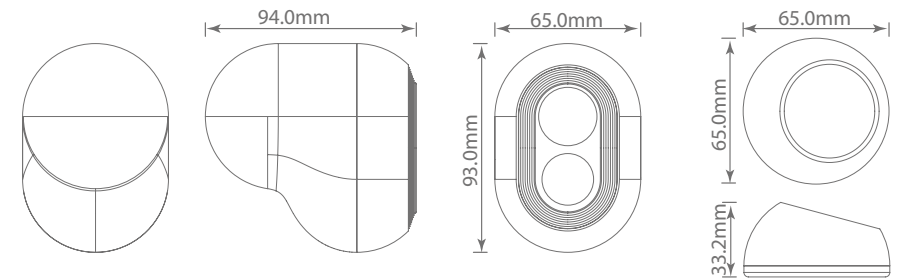
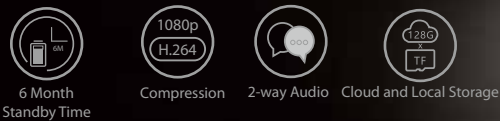


ID-1908

- 100% wire free installation, place it anywhere
- Ultra-Bright LED Spotlights
- 24/7 non stop free recording with up to 128G local SD card
- Night vision and live view
- Supports two way communication
- 1080P FHD resolution and 140° wide angle coverage
- IP55 certified waterproof rating suitable for indoor and outdoor use
- Control the lighting based on your scheduled time
- Receive instant motion detection alerts on your smartphone
- Features anti-theft alarm to secure your camera from being stolen
- Built-in siren to deter intruders remotely or automatically
- Magnetic mount for easy adjustment
- Optional solar power charging panel for lifetime power supply

- Sensor Type: 1/3" CMOS
- Pixel: 2Mega
- Min illuminance: Color 0.01Lux@F1.2Black and White 0.001Lux@F1.2"
- Lens: 4mm F2.0
- Shutter: 1/25~1/100,000 per second
- IR: High power LED with ICR
- IR distance: 10m
- WDR: Digital WDR
- Video compression standard: H.264
- Bit rate: 32Kbps~2Mbps
- Max picture size: 1920 × 1080
- Frame Rate: 1~25 per second
- Audio: Two-way audio
- 6000mAh rechargeable Lithium battery
- Storage Support: SD card(Max 128G)、NVR、 Cloud storage
- Intelligence: Supports motion detection
- Working temperature-20°C ~55°C

Your security guard on duty, day and night

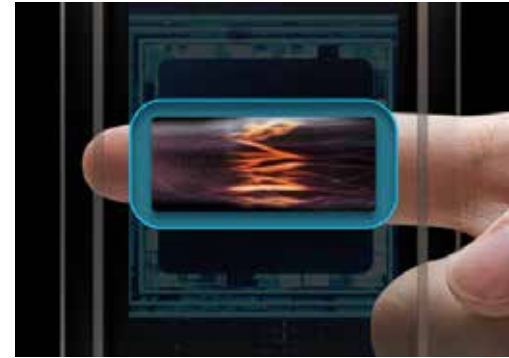


# Finger Vein Recognition Doorlock

ID-2304



Unlimited by skin conditions, stability you can trust



Seniors



Sweat hands



Skin conditions



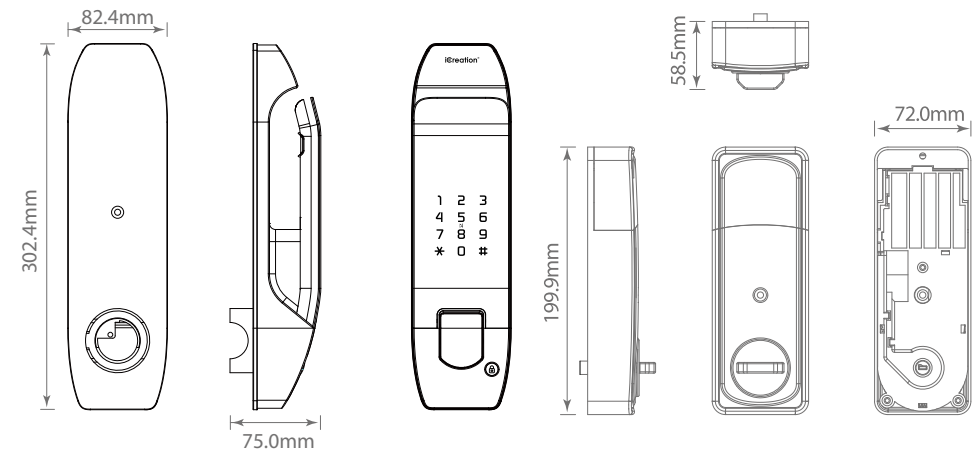
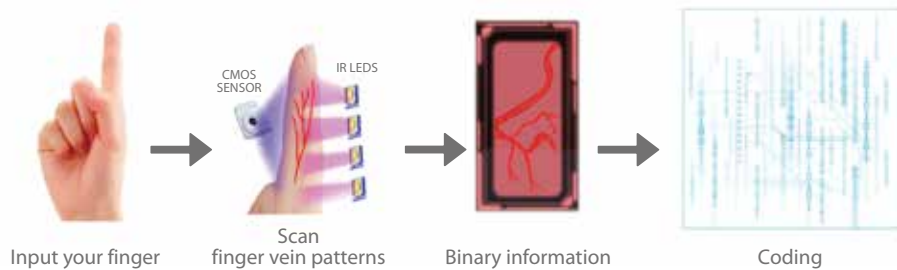
Wear down fingerprints



- Finger vein storage: 100
- Password storage: 100
- ID card storage: 100
- Powered by 8pcs AA batteries
- Smart power saving design works one year
- Install in minutes with just a screwdriver, no new screw holes and hard wiring needed
- Suitable for most doors- metal, wood or phenolic
- Reversible design, works on doors with left or right hinges
- All data are securely stored in local storage

## How it works

Finger vein recognition is a method that specifies an individual using the vein pattern inside one's fingers. With deoxyhemoglobin in the blood absorbs near-infrared lights, vein patterns appear as a series of dark lines, combined with a special camera capture the image of finger vein patterns. The vascular network patterns can't be seen without special equipment, and this makes it very hard to steal or make copies of biometric information.



# Facial Recognition Doorlock

XL-9201



Simple & Safe  
All personal data save to local storage

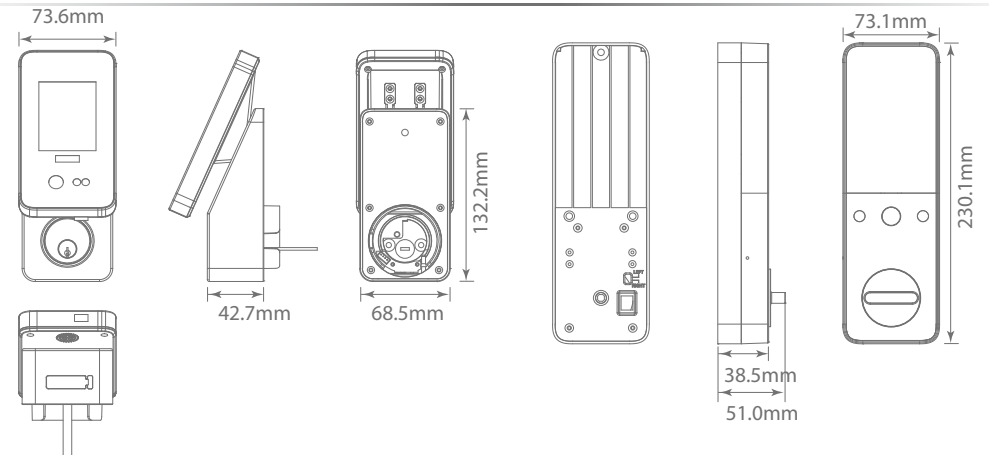
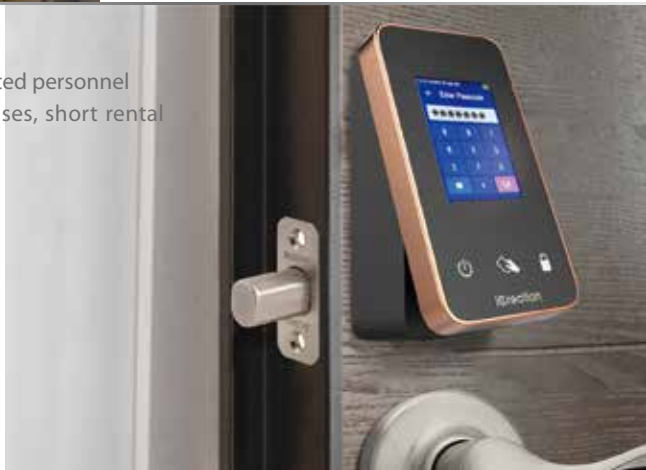


- No keys? No problem.
- Features facial and palm print recognition, RFID and Smart Pin Code for secure access
  - Designed to fit on most standard doors
  - Accommodates conventional deadbolt with a sleek sliding LCD display
  - Integrated with one button locking feature



- Authorized face ID, Palm ID, PIN and ID card to open the door
- Face ID storage: 105(100 users + 5 admins)
- Palm ID storage: 105
- PIN storage: 105
- ID card storage: 105
- Powered by AA batteries \*8 PCS
- Smart power saving design, more than 8,000+ times facial recognition unlock
- Can be unlocked using the backup mechanical keys
- Installs in minutes with just a screwdriver, no new screw holes and hard wiring needed.
- Suitable for most doors - metal, wood or phenolic
- Reversible design, works on doors with left or right hinges
- All data are securely stored in local storage

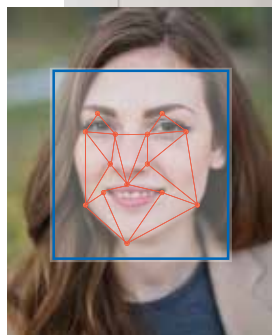
- Share temporary access to trusted personnel
- Ideal for offices, vacation houses, short rental homes and everyday use



# Facial Recognition Doorlock



XL-9192



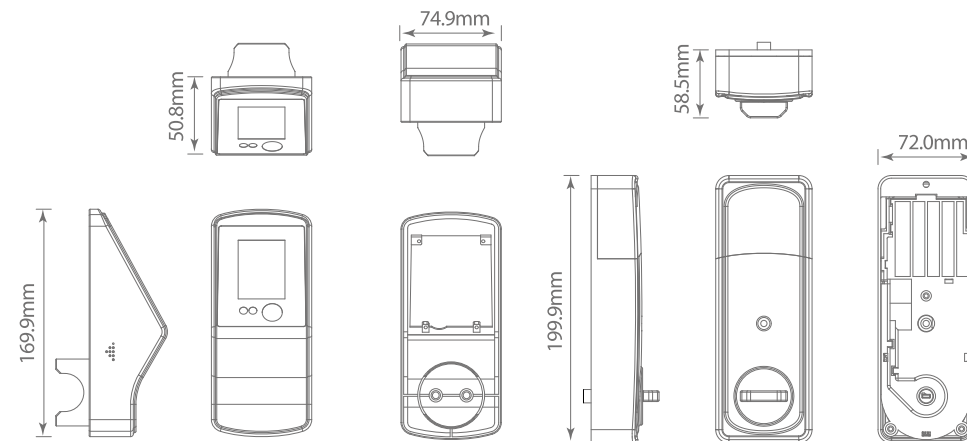
The future is now.  
Let's FACE it.

- when only one or few staffs have the key
- when the key keeper is absent
- VIP or member access only



- Authorized face ID, PIN and ID card to open the door
- Face ID storage: 105(100 users + 5 admins)
- PIN storage: 105
- ID card storage: 105
- Powered by AA batteries \*8 PCS
- Smart power saving design, more than 8,000+ times facial recognition unlock
- With traditional mechanical keys
- Installs in minutes with just a screwdriver, no new screw holes and hard wiring needed.

- When both hands are full after grocery shopping
- When you lost or forgot to bring your key
- When you want to give access to trusted family members, relatives, friends or personnel (e.g. deliverymen, real estate agents, housekeeper)



# Control is at your fingertip

Fingerprints Padlock



XL-9076



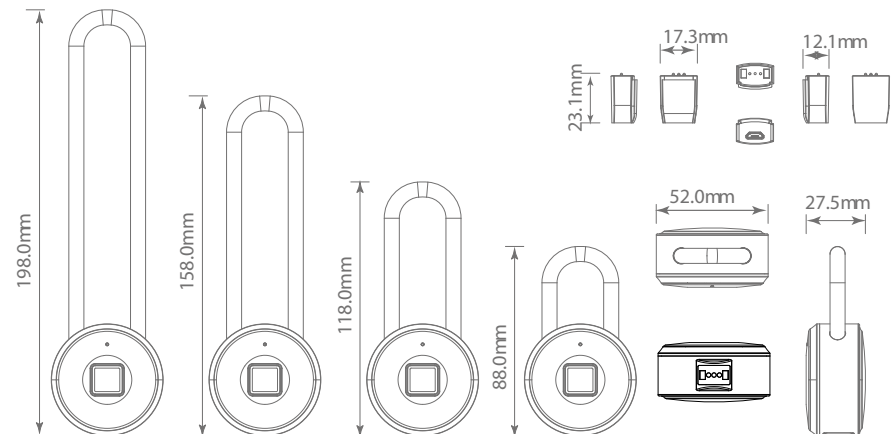
Pop-up automatically for better unlocking experience  
Magnetic charging port with enhanced reliability



- Use app and mobile devices for remote control
- Fast Fingerprint unlocking, just need 1 second
- Rounded corner design to reduce the size and weight
- Built-in rechargeable lithium battery
- Smart power-saving standby mode, standby up to 1 year
- Magnetic charging port with better reliability
- Remotely share temporary access code
- Low battery alerts
- Backup USB-Key is integrated with magnet charging
- High quality metallic body construction for enhanced security and durability
- Compact design fits most locker
- Pop-up automatically for better unlocking experience
- Up to 50 fingerprints can be recorded



More User-friendly Design  
Rounded corner design to reduce the size and weight  
Enhanced fingerprint recognition  
Built-in rechargeable lithium battery





# Fingerprint Smart Lock

Control is at your fingertip



XL-9063

# Secure and Durable



Strong metallic body construction with waterproof design. Enhanced security and durability in the toughest environments

## Your mobile devices & your fingerprints are your keys now.

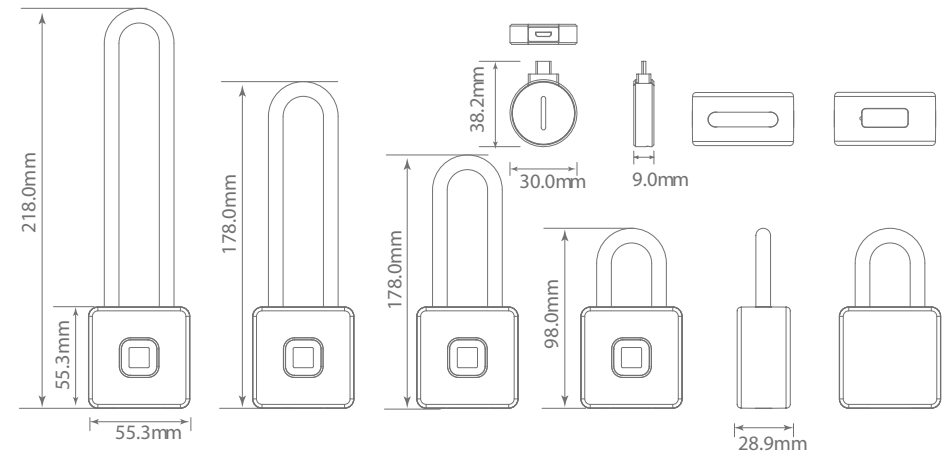
No need to worry about losing keys or forgetting combinations. Use your mobile devices and fingerprints to unlock efficiently. Ideal for storage lockers, bike locks, vacation rental property and real estate showing.



- Use app and mobile devices for remote control
- Fast fingerprint unlocking, just need 1 seconds
- Smart power-saving standby mode, standby up to 1 year
- Remotely share temporary access code
- Low battery alerts
- Support backup battery
- High quality metallic body construction for enhanced security and durability
- Compact design fits most lockers
- Up to 50 fingerprints can be recorded

Use app and mobile devices to get more control and flexibility.

Authorize your family, friends or colleagues for instant and secure access.





## Smart Follow Golf Cart

Enjoy the walk and simply focus on the game you love

**ForeCaddy**  
XL-9197



The closest thing to having a caddy by your side. Yes... even in bunkers.



The World's ONLY UWB Follow Golf Cart

## Specifications



Follow Me  
UWB based follow system



Dimensions  
Unfolded  
2.69 x 1.97 x 3.28 ft  
83.0 x 60.0 x 100.0 cm



Dimensions Folded  
2.69 x 1.97 x 1.15 ft  
83.0 x 60.0 x 35.0 cm



Battery Capacity  
22.2V/14000mAh



Charging Time  
8hrs to fully charge



Wireless Range  
65.62 ft / 20m



Weight  
35.98 lbs / 16.32 kgs



Rubber Wheel  
3.2 x 11.8 in  
8.1 x 30.0 cm

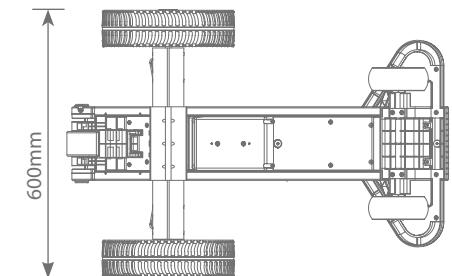
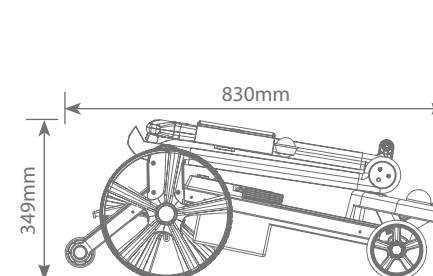


Speed  
4.7~7.8 km/h



Working Temp  
-40 ~85°C  
-40~ 185°F

- The World's ONLY UWB Follow Golf Cart
- 4 modes of operation: auto follow, remote control, power assist and freewheel
- IP55 weather proof play golf rain or shine
- Rechargeable battery lasts up to 54 holes on a full charge
- Large rubber wheels suitable for all terrains.
- Downhill and uphill anti-tipping support system
- Adjustable handle suitable for every golfer
- Easy folding and compact size to fit in most car trunks



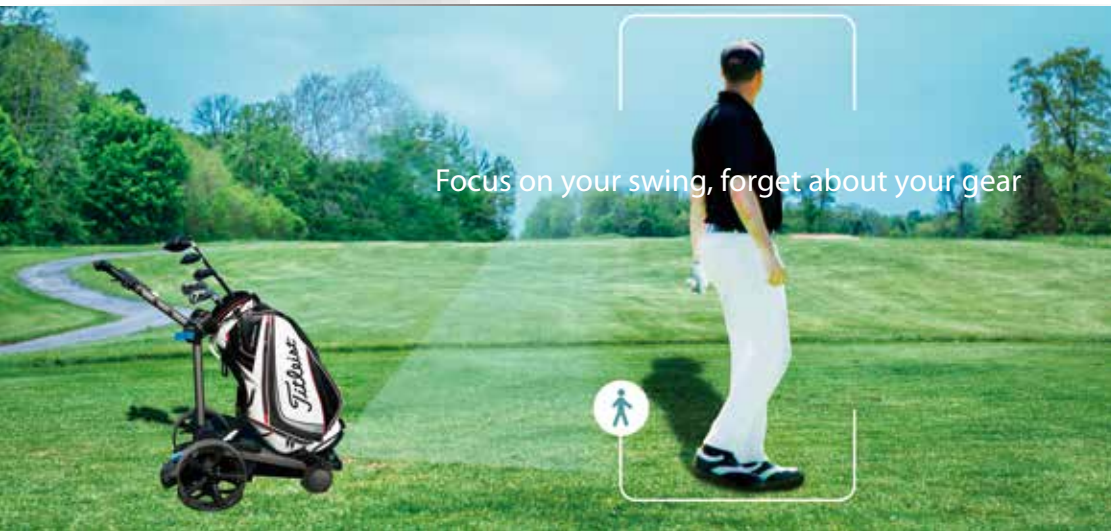
## Smart Follow Golf Cart



**ForeCaddy AI**  
XL-9297

## Making Mobility Intuitive

With 2x front omni-wheels allow forecaddy make tight turns and follows golfer closely and smoothly

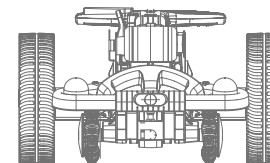
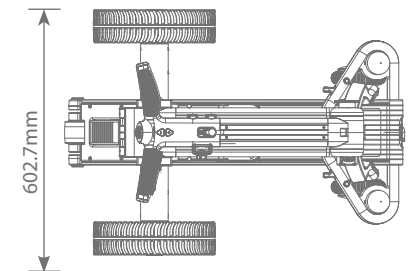
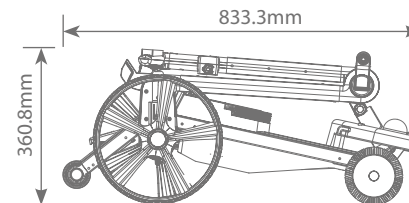


Focus on your swing, forget about your gear

- Cutting-edge Vision AI
- Future-Proven Technology
- High-Performance Neural Processor
- CNN Neural Network
- Full HD and Wide-angle camera
- Human Body Detection
- Human Body Localization
- Object (Non-Human) Detection
- Auto Follow
- Video Recording
- Voice Prompts



ForeCaddy AI is designed with a patent-pending cutting-edge vision AI system guiding itself to auto follow the golfer when the golfer is walking on the fairway.



# MAIN ODM/OEM CUSTOMERS BRAND



iCreation CANADA  
 Unit 202, 3621 Highway 7 East, Markham ON, L3R 0G6 Canada  
 Tel: 416-840-6383 Fax: 416-915-4800  
 E-mail: info@iCreation.com  
 Website: www.icreation.com



Xingtel Xiamen Group Co., Ltd.  
 Xingtel Building, Torch Industrial District, Xiamen 361006, PR China  
 Tel.: +86-592-569 7181  
 E-mail: info@xingtel.com  
 Website: www.xingtel.com

