

Appliance Adapter and Metal Flue Collar Bonding Procedure

Surface Preparation:

1. Drill two 5/32" holes in the appliance adapter to match the holes pre-drilled in the Metal Elbow Assembly.
2. **⚠ WARNING Flammable solvent. Do not use near fire or flame. Follow manufacturer's instructions.** Use isopropyl alcohol to degrease the bonding surfaces (the inside of the vent body and the outside of the metal flue collar or appliance adapter – see Figures 1 and 2). Wipe the bonding surfaces dry with a clean paper towel.
3. Apply a 1/4" bead of UltraCopper® Silicone RTV on the exterior of the Appliance Adapter or metal flue collar. Spread the bead out until it completely covers the bonding surface using a tongue depressor or rubber fingered gloves. Do not apply RTV to the inside of the vent body, as assembly will scrape it off inside the vent.
4. Assemble the metal flue collar or the appliance adapter to the vent body. Use a straight push – do not rotate it in the vent body while installing it. Inspect the assembly for a complete ring of adhesive squeezed out around the joint.
5. Install two #10 sheet metal screws in holes drilled in Step 1 to give adequate mechanical strength to the joint.
6. Connect the vent pipe to the Appliance Adapter according to the vent pipe manufacturer's instructions and all applicable codes and ordinances.
7. After one hour, test joint by firing the heater for one minute or less and checking for leaks.

NOTICE: Allow the joint to cure at least 24 hours before continuously firing the heater or putting stresses on the joint.

This instruction sheet applies to the following products:

77707-0076 Metal Flue Collar 4" x 6"

77707-0077 Metal Flue Collar 4" x 8"

77707-0086 Appliance Adapter – Heat Fab

77707-0087 Appliance Adapter – Z-Flex

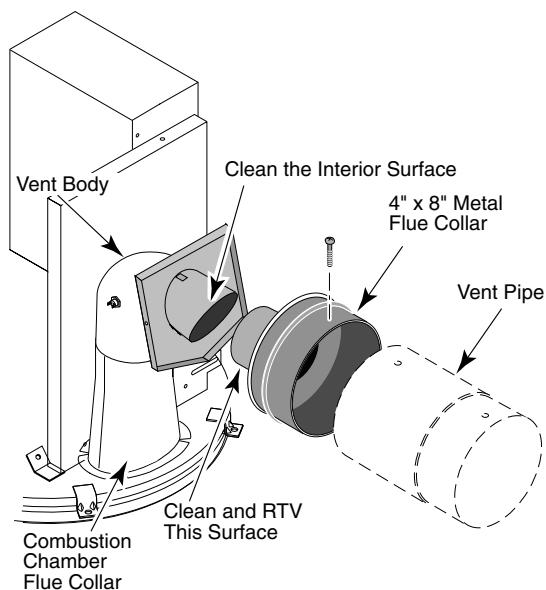


Figure 1: Metal Flue Collar for Type B Metallic Pipe

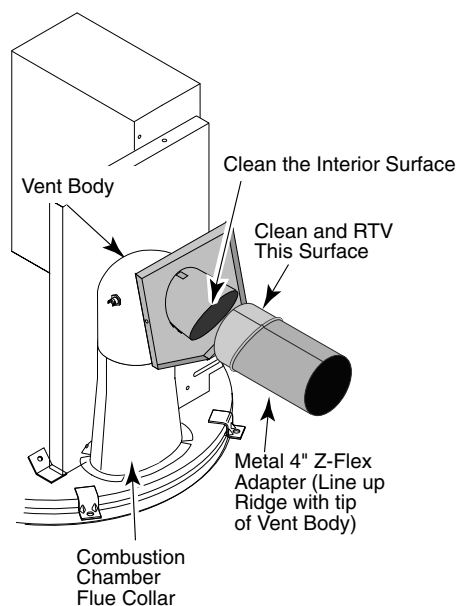


Figure 2: Metallic Appliance Adapter for Metallic Special Gas Vent (4")

Sta-Rite Pool/Spa Group

293 Wright Street, Delavan, WI 53115

North America: 800-752-0183, FAX 800-582-2217

International: 262-728-5551, FAX: 262-728-4461, TELEX: ITT 4970245

www.sta-ritepool.com

Union City, TN • Delavan, WI • Mississauga, Ont. • Murrieta, CA

© 2002, Sta-Rite Industries, Inc. Printed in U.S.A.



S453 (Rev. 5/15/02)

Downloaded from <https://gadgetsgo.com/MasterTemp-Pool-Heater-Steel-Adaptor-item-77707-0087.html>