

INSTANT-FLOW® SR - LOW FLOW

APPLICATION: commercial, industrial, residential, public lavatories, kitchen/bar sink

PRODUCT FEATURES

- Unlimited hot water
- Saves water and energy - 99% energy efficient
- Meets all CAL GREEN low flow requirements
- Vandal resistant rugged cast aluminum housing
- Space saving compact size:
6-1/4" (H) x 9-5/8" x 2-3/4"
- Meets applicable building codes including ADA, UL, IAPMO, UPC.
- Environmentally friendly
- Made in the U.S.A.

Chronomite Instant-Flow® SR - Low Flow models are manufactured to provide reliable point-of-use hot water. There is no pressure and temperature relief valve needed (unless required by code), saving time and money on installation.

Housing is fabricated from rugged cast aluminum alloy.

Element assembly is fabricated from Celcon plastic.

Heating coils are nichrome.

Faucet flow controls and compression fittings are supplied with each unit.



Member of
U.S. Green
Building Council



Water
Conserving
Product



Made in
the USA

For the model being selected, please place the corresponding amps, volts and temperature rise values in the Guide Specifications to the right.



Instant-Flow® SR - Low Flow

GUIDE SPECIFICATION

Tankless Water Heater shall be a Chronomite Laboratories Model

SR - _____ L / _____ VOLTS _____ OPTIONS
AMPS

with _____ Amps and _____ Volts

To heat 0.4 gpm at a temperature rise of

_____ °F

Unit shall be provided with Celcon waterways, and Nichrome heating coils.

OPTIONS

- PA 765 ABS Housing (P)
- Satin Finish Stainless Steel Housing (SS)
- High Polish Finish Stainless Steel (SSP)
- Pressure & Temp Relief Valve Assembly (TP)

MODEL	AMPS	VOLTS	WATTS	ACTIVATION GPM	TEMP RISE @ 0.40 GPM	TEMP RISE @ 0.75 GPM	TEMP RISE @ 1.00 GPM
SR-15L / 120	15	120	1800	0.35	31	-	-
SR-15L / 277	15	277	4150	0.35	71	38	28
SR-20L / 120	20	120	2400	0.35	41	22	-
SR-20L / 208	20	208	4160	0.35	71	38	28
SR-20L / 240	20	240	4800	0.35	82	44	33
SR-20L / 277	20	277	5540	0.35	95	50	38
SR-30L / 120	30	120	3600	0.35	61	33	25

Complies with Standards for:



Federal Public Law 111-380 (No Lead)

CALGreen

CHRONOMITE LABORATORIES, INC.
17451 Hurley St. :: City of Industry, CA 91744
Phone 800-447-4962 :: 626-937-4270
Fax 626-937-4279 :: www.chronomite.com

MEMBER OF



INSTANT-FLOW[®] SR - LOW FLOW

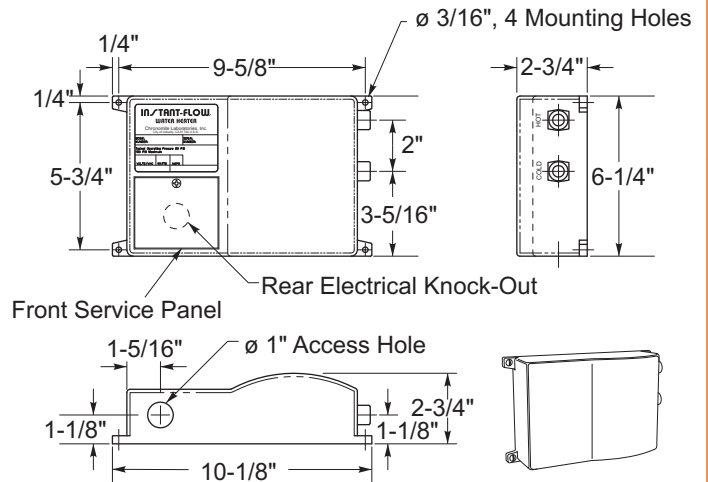
TECHNICAL DIMENSIONS

INSTANT-FLOW[®] SR - LOW FLOW

Dimensions:	6-1/4" (H) x 9-5/8" x 2-3/4"
Weight:	5 lbs.
Materials:	Rugged cast aluminum housing Celcon plastic element assembly with nichrome coils
Housing Color:	White
Minimum Operating Flow Rate:	0.35 GPM
Minimum Operating Pressure:	25 PSI
Maximum Operating Pressure:	150 PSI
Maximum Operating Temperature:	140°F
Listing:	UL, IAPMO, UPC, ADA

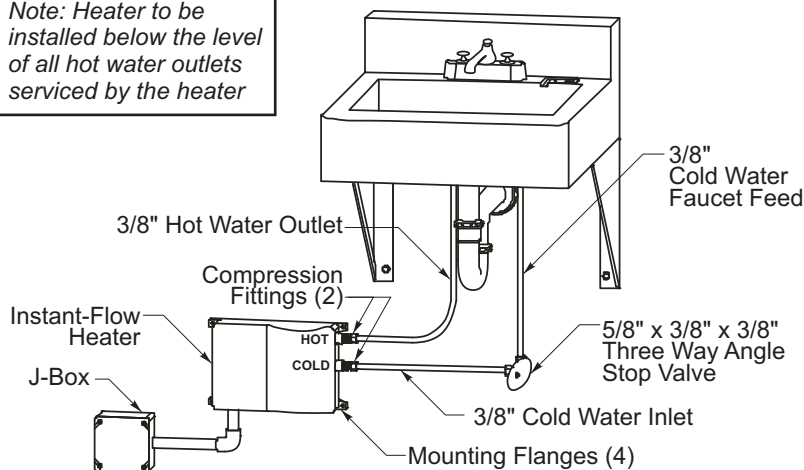
GENERAL NOTES:

- 240V models when operated at 220V will have approximately a 15% temperature decrease.
- 120V models when operated 110V will have approximately a 15% temperature decrease.
- Per UL/IAPMO unit may not exceed maximum operating temperature of 140°F

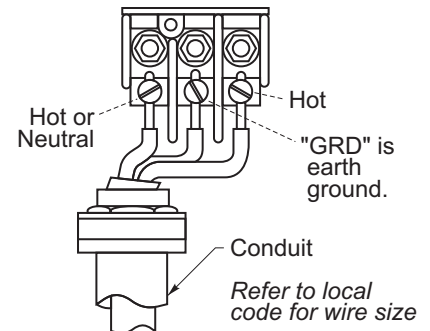


INSTALLATION DIAGRAM

Note: Heater to be installed below the level of all hot water outlets serviced by the heater



WIRING CONNECTION



ATTENTION:
Unit must be hard wired.
NOTE: Heaters are single phase.
All tests are measured at the output of the heater.

Chronomite Laboratories assumes no responsibility for use of void or suspended data. © Copyright Chronomite Laboratories, Inc. Member of Morris Group International, City of Industry, CA Please visit www.chronomite.com for most current specifications.

SELECTION SUMMARY & APPROVAL FOR MANUFACTURING

Company _____

Model Number & Options _____ Quantity _____

Contact _____ Title _____

Signature (Approval for Manufacturing) _____ Date _____

CHRONOMITE
LABORATORIES, INC.

PH. 800-447-4962

626-937-4270

FAX 626-937-4279

www.chronomite.com

IFSR-LF 04/01/14