

INSTANT-FLOW® MICRO - LOW FLOW

INSTANT-FLOW® MICRO - LOW FLOW METRIC CHART

MODEL	AMPS/PHASE	1 Ø VOLTAGE	WATTS	ACTIVATION LPM	°C TEMPERATURE RISE @		
					3.00 LPM	4.00 LPM	8.00 LPM
M-15L/277	15	277	4150	1.3	20	15	--
M-20L/120	20	120	2400	1.3	11	--	--
M-20L/208	20	208	4160	1.3	20	15	--
M-20L/240	20	240	4800	1.3	23	17	--
M-20L/277	20	277	5540	1.3	27	20	--
M-30L/120	30	120	3600	1.3	17	13	--
M-30L/208	30	208	6240	1.3	30	22	11
M-30L/240	30	240	7200	1.3	34	26	13
M-30L/277	30	277	8310	1.3	40	30	15
M-40L/208	40	208	8320	1.3	40	30	15
M-40L/240	40	240	9600	1.3	46	34	17

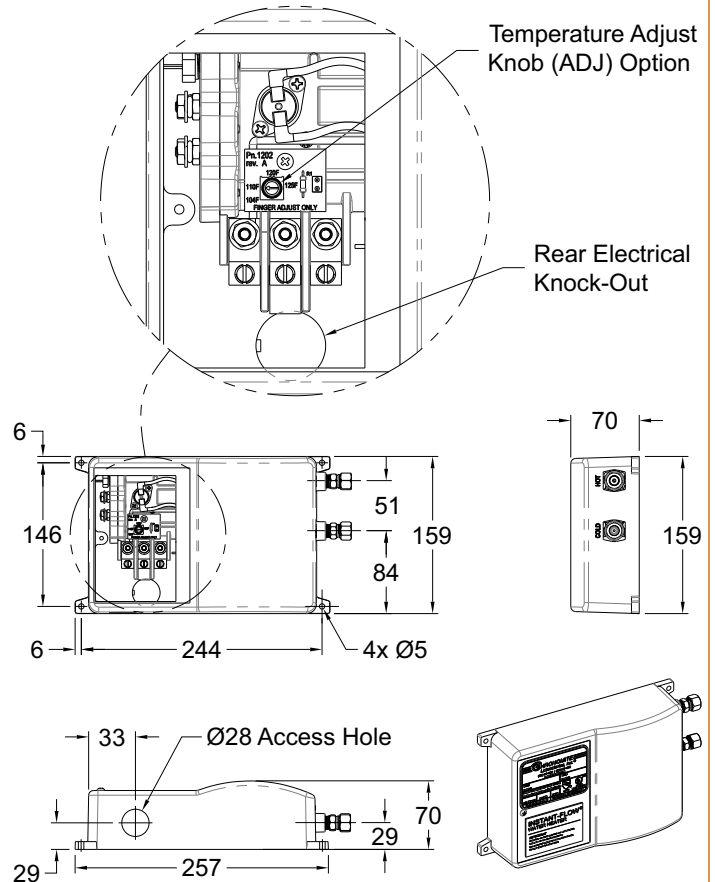
TECHNICAL DIMENSIONS

INSTANT-FLOW® MICRO - LOW FLOW

Dimensions:	159 (H) x 244 x 70mm
Weight:	2.27 Kg
Materials:	Rugged cast aluminum housing Celcon plastic element assembly with nichrome coils
Housing Color:	White
Minimum Operating Flow Rate:	1.3 LPM
Minimum Operating Pressure:	172 kPa
Maximum Operating Pressure:	552 kPa
Maximum Pressure:	1034 kPa
Maximum Water Temperature:	71°C
Maximum Ambient Operating Temperature:	60°C
Listing:	UL, IAPMO, UPC, ADA, ETL

GENERAL NOTES:

- The microprocessor adjusts the heater's power for variations in flow rates, inlet water temperature and pressure to assure the selected factory preset water temperature.
- 240V models when operated at 220V will have approximately a 15% wattage decrease.
- 120V models when operated 110V will have approximately a 15% wattage decrease.
- Instant-Flow Micro is ideal for sensor/hands-free faucets with the 40°C factory preset setting temperature ; no mixing valve needed
- Factory setting of 43°C or above require cold water mixing at the hand wash faucet.
- Microprocessor limits temperature increase according to the pre-selected temperature decrease.



Chronomite Laboratories assumes no responsibility for use of void or suspended data. © Copyright Chronomite Laboratories, Inc. Member of Morris Group International, City of Industry, CA Please visit www.chronomite.com for most current specifications.

SELECTION SUMMARY & APPROVAL FOR MANUFACTURING

Company _____

Model Number & Options _____ Quantity _____

Contact _____ Title _____

Signature (Approval for Manufacturing) _____ Date _____

CHRONOMITE
LABORATORIES, INC.
PH. 800-447-4962
626-937-4270
FAX 626-937-4279
www.chronomite.com

INSTANT-FLOW® MICRO - LOW FLOW

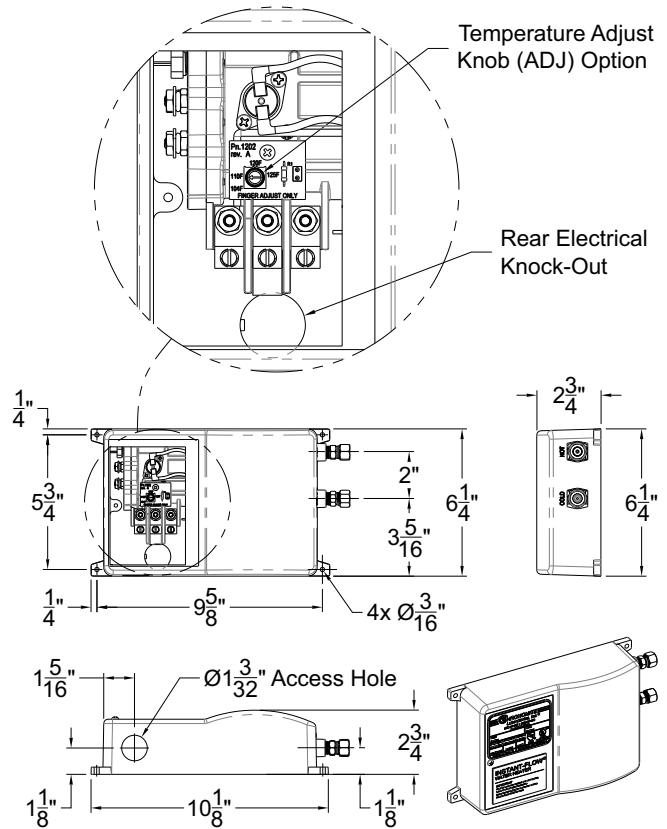
TECHNICAL DIMENSIONS

INSTANT-FLOW® MICRO - LOW FLOW

Dimensions:	6-1/4" (H) x 9-5/8" x 2-3/4"
Weight:	5 lbs.
Materials:	Rugged cast aluminum housing Celcon plastic element assembly with nichrome coils
Housing Color:	White
Minimum Operating Flow Rate:	0.35 GPM
Minimum Operating Pressure:	25 PSI
Maximum Operating Pressure:	80 PSI
Maximum Pressure:	150 PSI
Maximum Water Temperature:	160°F
Maximum Ambient Operating Temperature:	140°F
Listing:	UL, IAPMO, UPC, ADA, ETL

GENERAL NOTES:

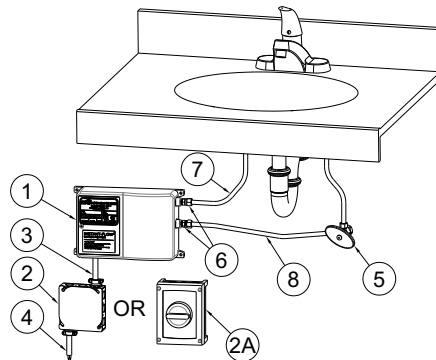
- The microprocessor adjusts the heater's power for variations in flow rates, inlet water temperature and pressure to assure the selected factory preset water temperature.
- 240V models when operated at 220V will have approximately a 15% wattage decrease.
- 120V models when operated 110V will have approximately a 15% wattage decrease.
- Instant-Flow Micro is ideal for sensor/hands-free faucets with the 104°F factory preset setting temperature ; no mixing valve needed
- Factory setting of 110°F or above require cold water mixing at the hand wash faucet.
- Microprocessor limits temperature increase according to the pre-selected temperature.



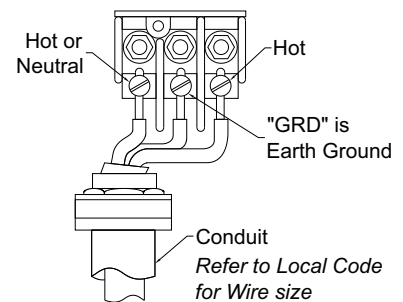
Notes:

1. Heater to be installed below the level of all hot water outlets serviced by the Heater.
2. Diagram shown with standard 3/8" Compression Fitting. Optional 1/2" NPT Male water connections available.

- 1 Instant-Flow Micro Heater
- 2 Electrical Junction Supply Box (Optional)
- 2A 2095-1 Disconnect Switch (Optional)
- 3 Electrical Supply Conduit
- 4 Electrical Supply Wire
- 5 Dual Outlet Stop, 3/8" Comp. Outlet Connections
- 6 3/8" Comp. x 1/4" NPT Fittings (supplied)
- 7 3/8" Hot Water Outlet
- 8 3/8" Cold Water Inlet



WIRING CONNECTION



ATTENTION:

Unit must be hard wired.

NOTE: Heaters are single phase. All tests are measured at the output of the heater.

Chronomite Laboratories assumes no responsibility for use of void or suspended data. © Copyright Chronomite Laboratories, Inc. Member of Morris Group International, City of Industry, CA Please visit www.chronomite.com for most current specifications.

SELECTION SUMMARY & APPROVAL FOR MANUFACTURING

Company _____

Model Number & Options _____ Quantity _____

Contact _____ Title _____

Signature (Approval for Manufacturing) _____ Date _____

CHRONOMITE
LABORATORIES, INC.
PH. 800-447-4962
626-937-4270
FAX 626-937-4279
www.chronomite.com