

CHRONOMITE[®] Electric Tankless Water Heaters

Since 1966

Unlimited Hot Water. Unlimited Confidence.

**INSTANT-FLOW[®] C-MICRO
WATER HEATER WITH 0.20 GPM
ACTIVATION FLOW RATE.**

PATENT PENDING



THE CM SERIES INSTANT-FLOW[®] C-MICRO ACTIVATES AT AN ULTRA LOW FLOW RATE OF 0.20 GALLONS (0.75 LITERS) PER MINUTE.

INSTANT-FLOW® C-MICRO (CM SERIES)

CHRONOMITE'S CM SERIES
INSTANT-FLOW® C-MICRO
PROVIDES FAST AND
RELIABLE HOT WATER AT
ANY POINT OF USE,
ALL WHILE REMAINING
SEAMLESSLY INCONSPICUOUS.



Model No. 9153
Neo-Metro Slab Edge with dyson airblade wash+dry

APPLICATIONS



IDEAL FOR COMMERCIAL, INDUSTRIAL AND RESIDENTIAL SINKS IN RESTROOMS AND KITCHENETTES. INSTANT-FLOW C-MICRO DELIVERS ENDLESS HOT WATER TO A VARIETY OF APPLICATIONS INCLUDING:

- OFFICE BUILDINGS
- SCHOOLS
- MANUFACTURING PLANTS
- HOMES
- RESTAURANTS



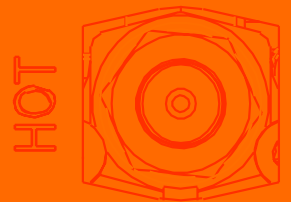
Instant-flow® C-Micro activates at an ultra low flow rate of 0.20 Gallons (0.75 Liters) per minute. There is no pressure and temperature valve needed (unless required by code), saving time and money on installation while providing an endless supply of reliable hot water.



Instant-Flow® C-Micro maintains consistent and reliable hot water by regulating water temperature 120 times per second!



No mixing valves means that scalding is eliminated, while activation at only 0.2 gallons per minute saves time, money and energy.





CHRONOMITE
LABORATORIES, INC.
10000 W. 10th Ave. Suite 100
Denver, CO 80202
Tel: 303.751.1000
www.chronomite.com

INSTANT-FLOW C-MICRO
WATER HEATER

Model	CM-C-Micro-0.2-GPM
Flow Rate (GPM)	0.2
Flow Rate (L/min)	7.6
Flow Rate (GPD)	15.1
Flow Rate (L/hr)	36.6
Flow Rate (GPH)	1.83
Flow Rate (L/day)	878.4
Flow Rate (GPD)	43.92
Flow Rate (L/yr)	318,768
Flow Rate (GPD)	15,938.4
Flow Rate (L/yr)	1,195,380
Flow Rate (GPD)	59,769
Flow Rate (L/yr)	4,482,660
Flow Rate (GPD)	224,132.4
Flow Rate (L/yr)	1,710,982.8
Flow Rate (GPD)	85,549.12
Flow Rate (L/yr)	641,668.32
Flow Rate (GPD)	32,084.56
Flow Rate (L/yr)	240,832.16
Flow Rate (GPD)	12,042.28
Flow Rate (L/yr)	90,316.08
Flow Rate (GPD)	6,021.52
Flow Rate (L/yr)	45,177.36
Flow Rate (GPD)	3,014.26
Flow Rate (L/yr)	22,784.88
Flow Rate (GPD)	1,509.51
Flow Rate (L/yr)	11,521.32
Flow Rate (GPD)	1,000.00
Flow Rate (L/yr)	7,576.00
Flow Rate (GPD)	500.00
Flow Rate (L/yr)	3,788.00
Flow Rate (GPD)	250.00
Flow Rate (L/yr)	1,894.00
Flow Rate (GPD)	125.00
Flow Rate (L/yr)	947.00
Flow Rate (GPD)	62.50
Flow Rate (L/yr)	473.50
Flow Rate (GPD)	31.25
Flow Rate (L/yr)	236.75
Flow Rate (GPD)	15.62
Flow Rate (L/yr)	118.37
Flow Rate (GPD)	7.81
Flow Rate (L/yr)	59.19
Flow Rate (GPD)	3.91
Flow Rate (L/yr)	29.59
Flow Rate (GPD)	1.97
Flow Rate (L/yr)	14.79
Flow Rate (GPD)	0.98
Flow Rate (L/yr)	7.39
Flow Rate (GPD)	0.49
Flow Rate (L/yr)	3.70
Flow Rate (GPD)	0.25
Flow Rate (L/yr)	1.85
Flow Rate (GPD)	0.12
Flow Rate (L/yr)	0.92
Flow Rate (GPD)	0.06
Flow Rate (L/yr)	0.46
Flow Rate (GPD)	0.03
Flow Rate (L/yr)	0.23
Flow Rate (GPD)	0.01
Flow Rate (L/yr)	0.11
Flow Rate (GPD)	0.00
Flow Rate (L/yr)	0.05
Flow Rate (GPD)	0.00
Flow Rate (L/yr)	0.02
Flow Rate (GPD)	0.00
Flow Rate (L/yr)	0.01
Flow Rate (GPD)	0.00
Flow Rate (L/yr)	0.00

INSTANT-FLOW® C-MICRO FEATURES

CHRONOMITE CM SERIES INSTANT-FLOW® C-MICRO LOW ACTIVATION MODELS ARE MANUFACTURED TO PROVIDE RELIABLE HOT WATER AT THE POINT OF USE. THE HEATER ACTIVATES AT AN ULTRA LOW FLOW RATE OF 0.20 GALLONS (0.75 LITERS) PER MINUTE.

- Meets CAL GREEN low flow requirements—operates on low flow activation faucets - 0.2 GPM
- Meets LEED v4 low flow requirements (lower than 0.4 gallons or 1.5 liter per minute)
- Digital microprocessor technology
- Endless hot water
- Saves water and energy—activation at 0.2 GPM is 99% energy efficient
- Saves space – smallest foot print – 6-1/4” (H) x 9-5/8” (W) X 2-3/4” (D)
- 50% more energy efficient than traditional heaters—immediate response to changes in incoming water temperatures, pressures, and flow rate
- Maintains consistent water temperature—regulates water temperature 120 times per second
- Eliminates scalding—preset factory temperature with no mixing valves required
- Vandal-resistant, rugged cast aluminum housing (standard)
- Faucet flow controls are supplied with each unit. 3/8” compression fittings are supplied (standard)
- Minimum operating/activation flow rate: 0.20 gallons (0.75 liters) per minute
- Wattage: 1.44 to 9.60 kilowatt range (depending on model)
- Ideal applications include: commercial, industrial, residential, public lavatories, kitchen/bar sink
- Ideal for sensor/hands-free faucets with the 104°F (40°C) antiscald, 110°F ADA, and 120°F Health code—factory preset setting; no mixing valve needed
- Optional temperature adjustment dial—ADJ option



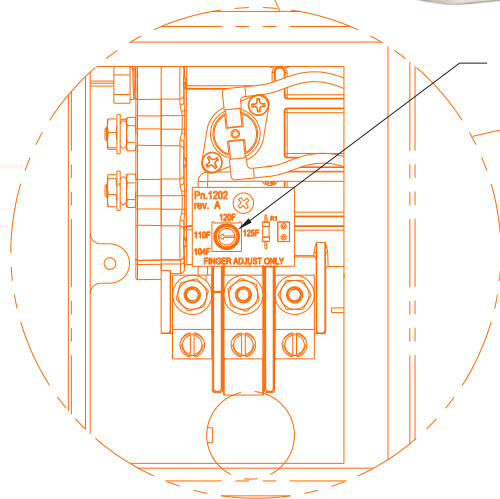
MAXIMIZE OUTPUT. MINIMIZE SPACE.

INSTANT-FLOW® C-MICRO PACKS A LARGE PUNCH WITH A SMALL FOOTPRINT. EACH UNIT SAVES VALUABLE SPACE BY REMAINING INCONSPICUOUS IN PLACEMENT UNDER SINKS AND COUNTERTOPS.

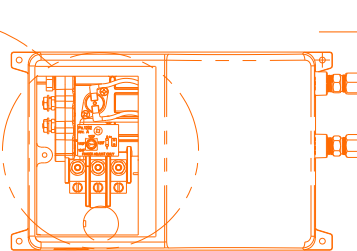


Convenient faucet flow controls are supplied with each Instant-Flow® C-Micro unit. 3/8" compression fittings come standard and are supplied on each unit.

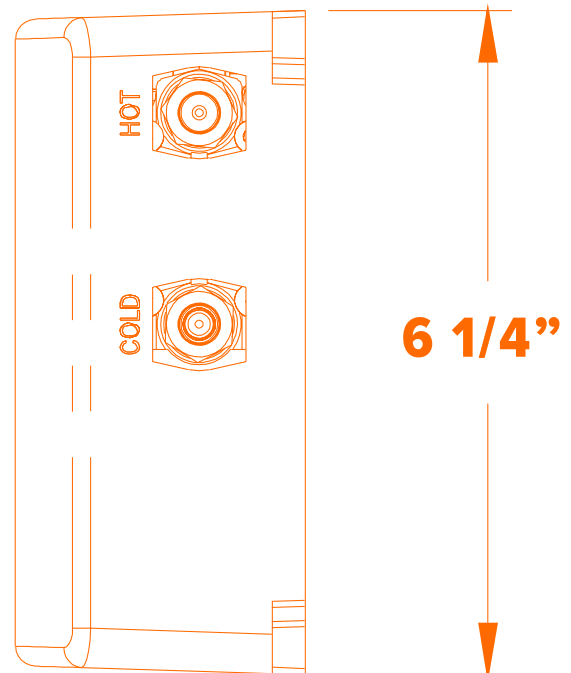
- **HOUSING** is fabricated from rugged cast aluminum
- **ELEMENT** assembly is fabricated from Celcon plastic
- **HEATING COILS** are nichrome
- **FAUCET FLOW CONTROLS** are supplied with each unit; 3/8" compression fittings are supplied (standard)
- **MINIMUM OPERATING/ACTIVATION FLOW RATE:** 0.20 Gallons (0.75 liters) per Minute
- **WATTAGE:** 1.44 to 9.60 Kilowatt Range (depending on model)



TEMPERATURE ADJUSTMENT KNOB
LOCATED INSIDE UNDER COVER.
(-ADJ OPTION)



2 3/4"



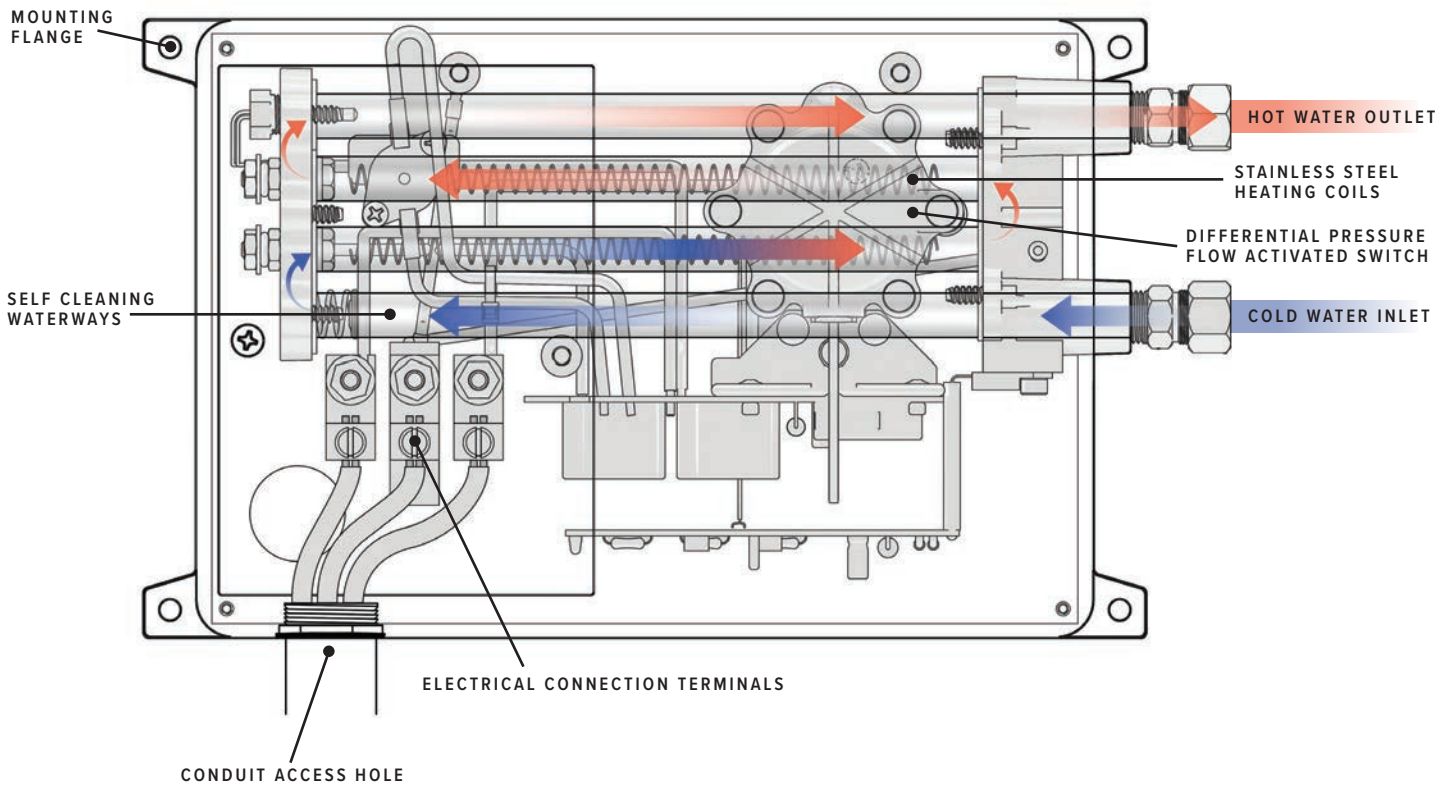
6 1/4"

THE SPACE SAVING DESIGN MEASURES AT:

6 1/4"(H) X 9 5/8"(W) X 2 3/4"(D)

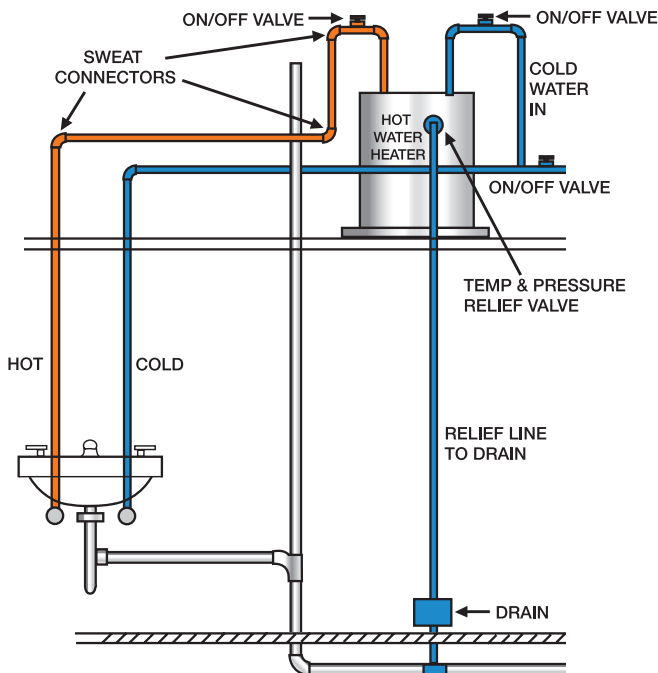
Underneath a durable, vandal-resistant aluminum housing, internal nichrome heating coils and digital microprocessor technology provide ultra-quick response times for temperature variations at 120 times per second!

HOW IT WORKS

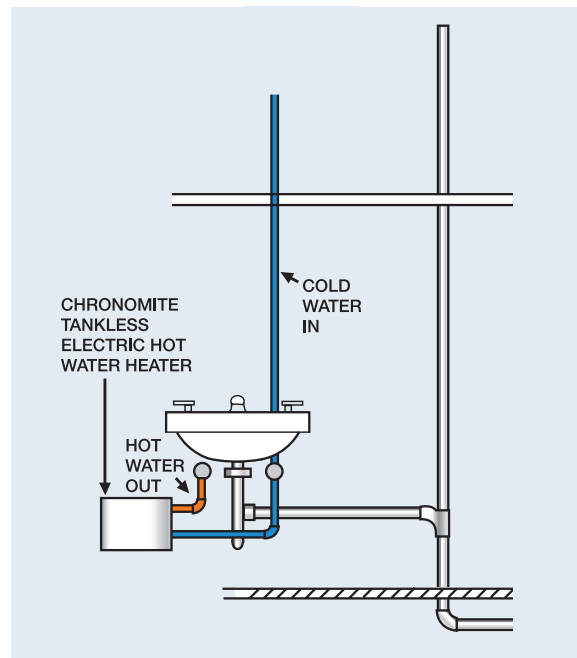


A TYPICAL REMOTE LAVATORY INSTALLATION

THE COSTLY CONVENTIONAL WAY



THE ECONOMICAL CHRONOMITE WAY



AVERAGE GROUND TEMPERATURE



GROUND WATER TEMPERATURES REFER TO WATER STORED OUTSIDE AND MANY NOT ACCURATELY REFLECT THE SOURCE.

THERE ARE SOME BASIC QUESTIONS YOU SHOULD ASK WHEN DECIDING ON A CHROMOMITE ELECTRIC TANKLESS WATER HEATER:

1. How cold is your inlet water temperature in the winter?
2. What is the flow rate and gallons per minute you need to supply your hot water demand?
3. Look at the heater models under the inlet temp for your region and select a heater that is equal to or greater than the flow rate GPM for your application.

APPLICATIONS	USAGE LEGEND	FLOW RATE GPM*
Water saver faucet/sink	WF	0.35
Standard faucet/sink	F	0.5
Kitchen Faucet/sink	KF	1
Water saver Shower	S	1.5
Standard shower	SS	2
Dishwasher	DW	1.0-2.0
Washing Machine	WM	1.0-1.5

*Results based on outlet temperature of 104°F



Inlet Temp: 42° F

Model	GPM	Usage
CM-30L/120	0.40	WF
CM-20L/208	0.46	WF, F
CM-30L/208	0.69	WF
CM-40L/208	0.92	WF, F
CM-15L/240	0.40	WF
CM-20L/240	0.53	WF, F
CM-30L/240	0.79	WF, F
CM-40L/240	1.06	WF, F, KF, DW, WM
CM-12L/277	0.37	WF
CM-15L/277	0.46	WF
CM-20L/277	0.61	WF, F
CM-30L/277	0.91	WF, F



Inlet Temp: 52° F

Model	GPM	Usage
CM-30L/120	0.47	WF
CM-15L/208	0.41	WF
CM-20L/208	0.55	WF, F
CM-30L/208	0.82	WF, F
CM-40L/208	1.09	WF, F, KF, DW, WM
CM-12L/240	0.38	WF
CM-15L/240	0.47	WF
CM-20L/240	0.63	WF, F
CM-30L/240	0.95	WF, F
CM-40L/240	1.26	WF, F, KF, DW, WM
CM-12L/277	0.44	WF
CM-15L/277	0.55	WF, F
CM-20L/277	0.73	WF, F
CM-30L/277	1.09	WF, F, KF, DW, WM



Inlet Temp: 37° F

Model	GPM	Usage
CM-30L/120	0.37	WF
CM-20L/208	0.42	WF
CM-30L/208	0.64	WF, F
CM-40L/208	0.85	WF, F
CM-15L/240	0.37	WF
CM-20L/240	0.49	WF
CM-30L/240	0.73	WF, F
CM-40L/240	0.98	WF, F
CM-15L/277	0.42	WF,
CM-20L/277	0.56	WF, F
CM-30L/277	0.85	WF, F



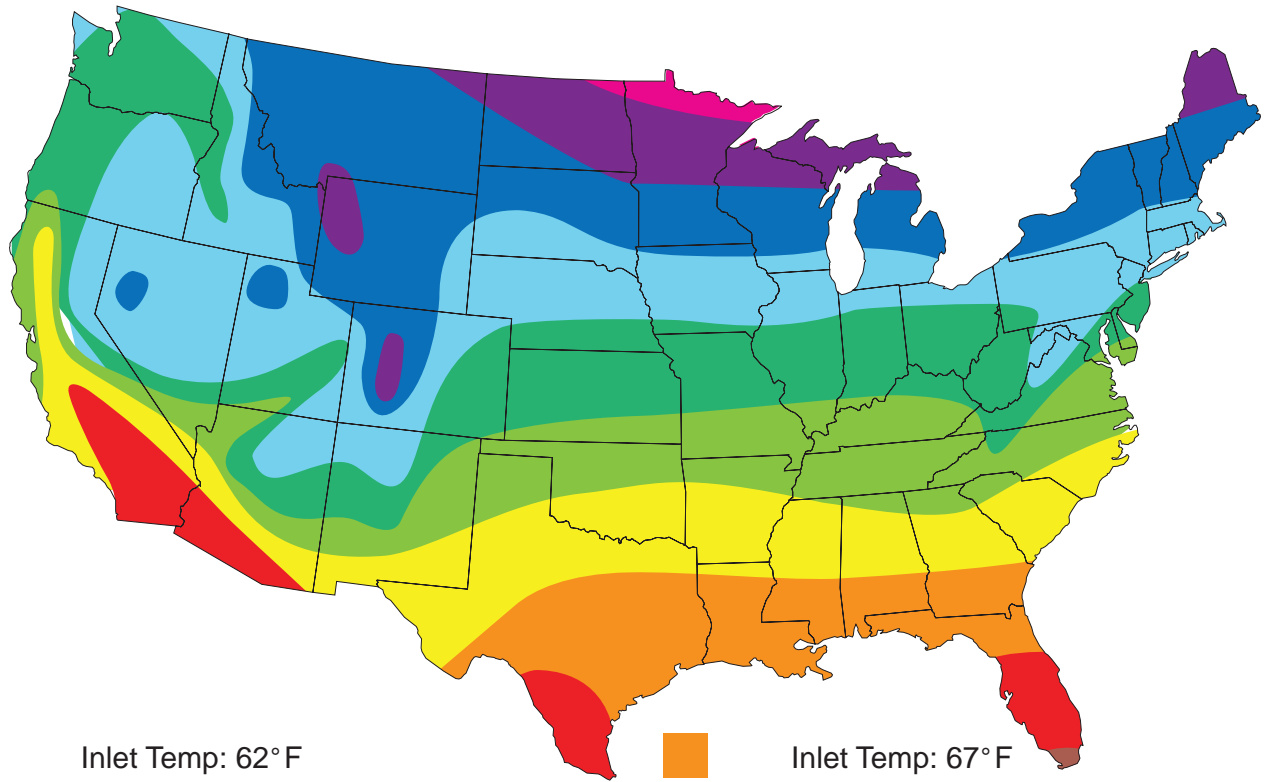
Inlet Temp: 47° F

Model	GPM	Usage
CM-30L/120	0.43	WF
CM-15L/208	0.37	WF
CM-20L/208	0.50	WF, F
CM-30L/208	0.75	WF, F
CM-40L/208	1.00	WF, F, KF, DW, WM
CM-12L/240	0.35	WF
CM-15L/240	0.43	WF
CM-20L/240	0.58	WF, F
CM-30L/240	0.86	WF, F
CM-40L/240	1.15	WF, F, KF, DW, WM
CM-12L/277	0.40	WF
CM-15L/277	0.50	WF, F
CM-20L/277	0.66	WF, F
CM-30L/277	0.99	WF, F



Inlet Temp: 57° F

Model	GPM	Usage
CM-30L/120	0.52	WF, F
CM-20L/120	0.35	WF
CM-12L/208	0.36	WF
CM-15L/208	0.45	WF
CM-20L/208	0.60	WF, F
CM-30L/208	0.91	WF, F
CM-40L/208	1.21	WF, F, KF, DW, WM
CM-12L/240	0.42	WF
CM-15L/240	0.52	WF, F
CM-20L/240	0.70	WF, F
CM-30L/240	1.05	WF, F, KF, DW, WM
CM-40L/240	1.40	WF, F, KF, DW, WM
CM-12L/277	0.48	WF
CM-15L/277	0.60	WF, F
CM-20L/277	0.81	WF, F
CM-30L/277	1.21	WF, F, KF, DW, WM



Inlet Temp: 62° F



Inlet Temp: 67° F

Model	GPM	Usage
CM-20L/120	0.39	WF
CM-30L/120	0.59	WF, F
CM-12L/208	0.41	WF
CM-15L/208	0.51	WF, F
CM-20L/208	0.68	WF, F
CM-30L/208	1.01	WF, F, KF, DW, WM
CM-40L/208	1.35	WF, F, KF, DW, WM
CM-12L/240	0.47	WF
CM-15L/240	0.59	WF, F
CM-20L/240	0.78	WF, F
CM-30L/240	1.17	WF, F, KF, DW, WM
CM-40L/240	1.56	WF, F, KF, DW, WM, S
CM-12L/277	0.54	WF, F
CM-15L/277	0.67	WF, F
CM-20L/277	0.90	WF, F
CM-30L/277	1.35	WF, F, KF, DW, WM

Model	GPM	Usage
CM-20L/120	0.44	WF
CM-30L/120	0.66	WF, F
CM-12L/208	0.46	WF
CM-15L/208	0.58	WF, F
CM-20L/208	0.77	WF, F
CM-30L/208	1.15	WF, F, KF, DW, WM
CM-40L/208	1.54	WF, F, KF, DW, WM, S
CM-12L/240	0.53	WF, F
CM-15L/240	0.66	WF, F
CM-20L/240	0.89	WF, F
CM-30L/240	1.33	WF, F, KF, DW, WM
CM-40L/240	1.77	WF, F, KF, DW, WM, S
CM-12L/277	0.61	WF, F
CM-15L/277	0.77	WF, F
CM-20L/277	1.02	WF, F, KF, DW, WM
CM-30L/277	1.53	WF, F, KF, DW, WM, S



Inlet Temp: 72° F



Inlet Temp: 77° F

Model	GPM	Usage
CM-15L/120	0.38	WF
CM-20L/120	0.51	WF, F
CM-30L/120	0.77	WF, F
CM-12L/208	0.53	WF, F
CM-15L/208	0.67	WF, F
CM-20L/208	0.89	WF, F
CM-30L/208	1.33	WF, F, KF, DW, WM
CM-40L/208	1.78	WF, F, KF, DW, WM, S
CM-12L/240	0.61	WF, F
CM-15L/240	0.77	WF, F
CM-20L/240	1.02	WF, F, KF, DW, WM
CM-30L/240	1.54	WF, F, KF, DW, WM, S
CM-40L/240	2.05	WF, F, KF, DW, WM, S, SS
CM-12L/277	0.71	WF, F
CM-15L/277	0.89	WF, F
CM-20L/277	1.18	WF, F, KF, DW, WM
CM-30L/277	1.77	WF, F, KF, DW, WM, S

Model	GPM	Usage
CM-12L/120	0.36	WF
CM-15L/120	0.46	WF
CM-20L/120	0.61	WF, F
CM-30L/120	0.91	WF, F
CM-12L/208	0.63	WF, F
CM-15L/208	0.79	WF, F
CM-20L/208	1.05	WF, F, KF, DW, WM
CM-30L/208	1.58	WF, F, KF, DW, WM, S
CM-40L/208	2.10	WF, F, KF, DW, WM, S, SS
CM-12L/240	0.73	WF, F
CM-15L/240	0.91	WF, F
CM-20L/240	1.21	WF, F, KF, DW, WM
CM-30L/240	1.82	WF, F, KF, DW, WM, S
CM-40L/240	2.43	WF, F, KF, DW, WM, S, SS
CM-12L/277	0.84	WF, F
CM-15L/277	1.05	WF, F, KF, DW, WM
CM-20L/277	1.40	WF, F, KF, DW, WM
CM-30L/277	2.10	WF, F, KF, DW, WM, S, SS

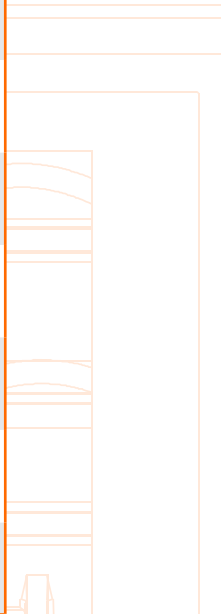
SELECT YOUR MODEL

CHRONOMITE	ACTIVATION GPM	VOLTS	KW	AMPS	90°C WIRE
CM-12L/120	0.2	120	1.44	12	14 AWG
CM-15L/120	0.2	120	1.80	15	14 AWG
CM-20L/120	0.2	120	2.40	20	12 AWG
CM-30L/120	0.2	120	3.60	30	10 AWG
CM-12L/208	0.2	208	2.50	12	14 AWG
CM-15L /208	0.2	208	3.12	15	14 AWG
CM-20L/208	0.2	208	4.16	20	12 AWG
CM-30L/208	0.2	208	6.24	30	10 AWG
CM-40L/208	0.2	208	8.32	40	8 AWG
CM-12L/240	0.2	240	2.88	12	14 AWG
CM-15L/240	0.2	240	3.60	15	14 AWG
CM-20L/240	0.2	240	4.80	20	12 AWG
CM-30L/240	0.2	240	7.20	30	10 AWG
CM-40L/240	0.2	240	9.60	40	8 AWG
CM-12L/277	0.2	277	3.32	12	14 AWG
CM-15L/277	0.2	277	4.15	15	14 AWG
CM-20L/277	0.2	277	5.54	20	12 AWG
CM-30L/277	0.2	277	8.31	30	10 AWG

+ = ABOVE 90 DEGREES

NOTE: ALL HEATERS LIMITED TO FACTORY SET MAX TEMPERATURE

°F TEMP RISE @ .35 GPM	°F TEMP RISE @ .5 GPM	°F TEMP RISE @ 1.0 GPM	°F TEMP RISE @ 1.5 GPM	°F TEMP RISE @ 2.0 GPM
28	20	---	---	---
35	25	---	---	---
47	33	---	---	---
70	49	25	---	---
49	34	---	---	---
61	43	21	---	---
81	57	28	---	---
90 +	85	43	28	21
90 +	90 +	57	38	28
56	39	20	---	---
70	49	25	---	---
90 +	66	33	22	---
90 +	90 +	49	33	25
90 +	90 +	66	44	33
65	45	23	---	---
81	57	28	---	---
90 +	76	38	25	---
90 +	90 +	57	38	28





WARNING: Cancer and Reproductive Harm - www.P65Warnings.ca.gov



17451 Hurley Street • City of Industry, CA 91744 United States
(800) 447-4962 • www.chronomite.com

INNOVATIVE SPIRIT AND ENGINEERING FOUNDATION

“What sets us apart from competitors is our engineering and spirit. We have a ‘can-do’ spirit. If you ask us to do something, we will do it or figure out how to do it. That’s the part our customers like, that’s the part we like.”

- Don Morris, President and CEO



MORRIS GROUP
INTERNATIONAL®

BRANDS BUILT TO LAST!™

morrisingroup.co

L1001412
1118