



Apollo 7000 Series

TUFFSTUFF FITNESS INTERNATIONAL

Apollo 7000 series

For over twenty-eight years, the TuffStuff Apollo Series has been the standard against which all other multi-stack gym systems have been measured. The Apollo 7000 Series offers more than just traditional multi-station gyms. The modular design offers versatility allowing your clients the luxury of customizing a multi-station configuration that best suits their need, or, the added benefit of creating single-station, stand alone modules. With features as legendary as its name and improved technology and materials, the Apollo 7000 series is the ideal choice multi-stack gym for your home or fitness facility.

Ideal For . . .

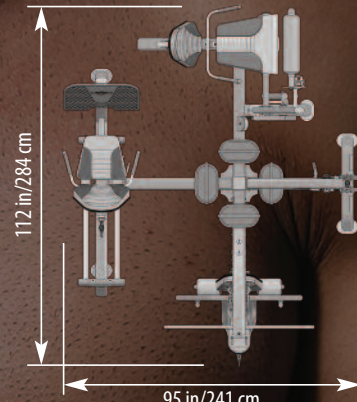
- *Hotels, Motels & Resorts*
- *Condos/Apartment Complexes*
- *Fire/Police Stations*
- *Schools and Institutions*
- *Rehabilitation Centers*
- *Armed Services*
- *Homes and Offices*
- *Personal Trainer Studios*



Apollo 7400

The ultimate 4-weight stack multi-gym complete with all four modular units:

- AP-71MP Multi Press
 - AP-71LP Leg Press
 - AP-71LE Leg Extension/Curl
 - AP-71HL High/Low
- Nine exercise stations featuring over 60 different exercises.
 - Customization of station positioning.
 - (4) independent 200 lbs. steel weight stacks.
 - Includes AP-70CP center post.



Height: 84 in/213 cm

Weight: 1885 lb/855 kg



Apollo 7300

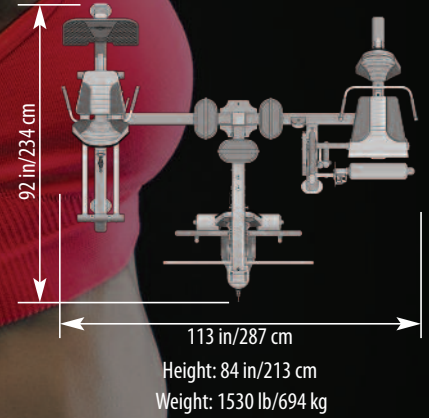
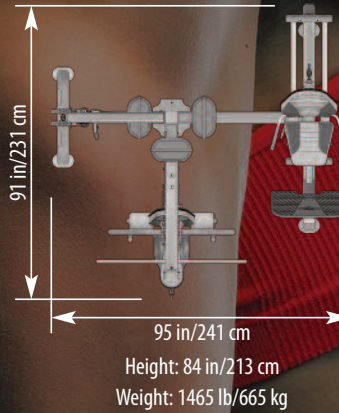
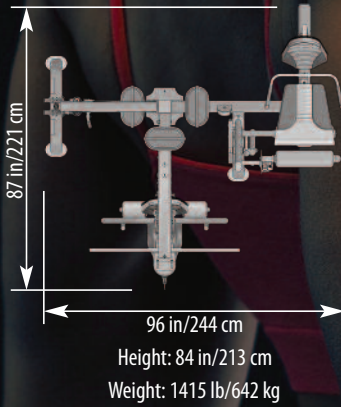
3-weight stack configurations and combinations:

- Seven exercise stations featuring over 50 different exercises.
- Customization of station positioning.
- (3) independent 200 lbs. steel weight stacks.
- Includes AP-70CP center post.

- AP-71MP Multi Press
- AP-71HL High/Low
- AP-71LE Leg Extension/Curl

- AP-71MP Multi Press
- AP-71HL High/Low
- AP-71LP Leg Press

- AP-71MP Multi Press
- AP-71LP Leg Press
- AP-71LE Leg Extension/Curl

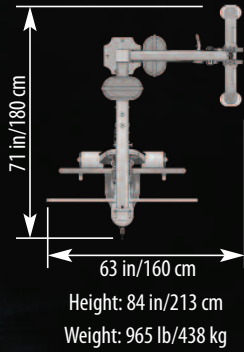


Apollo 7200

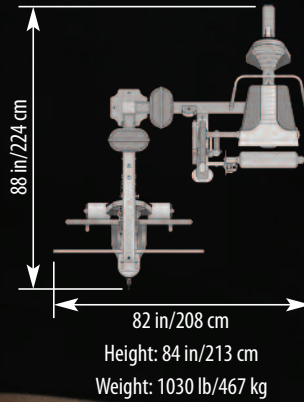
2-weight stack configurations and combinations:

- Six exercise stations featuring over 40 different exercises.
- Customization of station positioning.
- (2) independent 200 lbs. steel weight stacks.
- Includes AP-70CP center post.

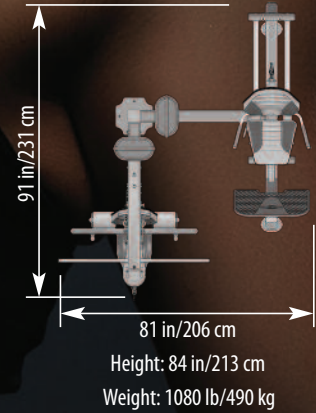
- AP-71MP Multi Press
- AP-71HL High/Low



- AP-71MP Multi Press
- AP-71LE Leg Extension/Curl



- AP-71MP Multi Press
- AP-71LP Leg Press



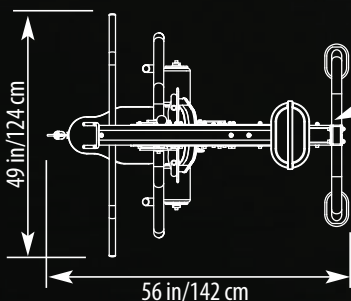
Modular design offers freedom to cre



AP-71MP Multi Press

- Unit can accommodate a variety of exercises from the combined multi press/row station, lat pulldown station, mid pulley and low pulley positions.
- 7-position adjustable press bar.
- Adjustable back pad for custom range of motion settings.
- 360° swivel, multi-directional low pulley station.
- Ratchet-style adjustable seat pad.
- 200 lbs. steel weight stack.

Required Option: AP-70RP Rear Post



Height: 84 in / 213 cm Weight: 495 lb / 225 kg

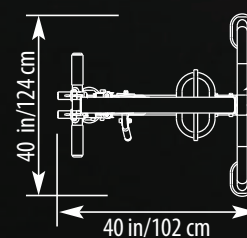
Must purchase optional AP-70RP Rear Post (as shown) when used as a stand alone station.



AP-71HL High/Low

- Multi-purpose Hi/Low pulley station offers virtually unlimited cable exercise potential.
- Counter-balanced roller style pulley carriage offers single hand adjustability.
- Dual handle pulley carriage allows bilateral and unilateral movements.
- 1/4 resistance ratio provides smooth function.
- 200 lbs. steel weight stack.

Required Option: AP-70RP Rear Post



Height: 84 in / 213 cm

Weight: 385 lb / 175 kg

Must purchase optional AP-70RP Rear Post (as shown) when used as a stand alone station.

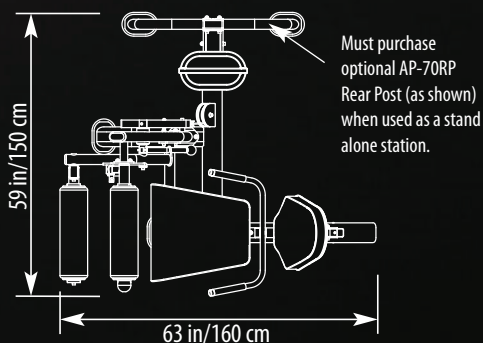
ate stand alone independent stations.



AP-71LE Leg Extension/Curl

- 6-position adjustable leg hold down accommodates various size users.
- Multi position back pad and biomechanical seat angle provide maximum ergonomic support.
- Custom cam design ensures proper strength curve through entire range of motion.
- 200 lbs. steel weight stack.

Required Option: AP-70RP Rear Post

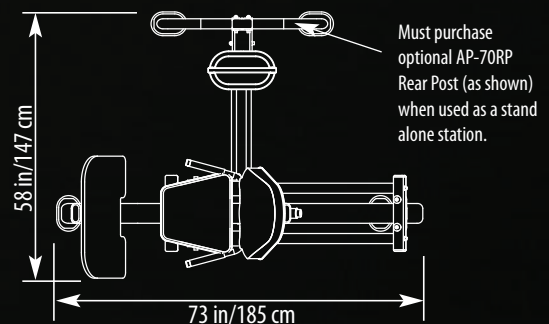


Height: 76 in/193 cm Weight: 450 lb/204 kg

AP-71LP Leg Press

- Custom convex footplate provides neutral ankle and knee alignment during exercise.
- Adjustable 6-position ergonomic seat carriage with 2" polyurethane rollers riding on 2" diameter hard chrome seat rails for smooth and precise motion.
- 200 lbs. steel weight stack with custom 2:1 ratio provides 400 lbs. of weight resistance.

Required Option: AP-70RP Rear Post



Height: 76 in/193 cm Weight: 500 lb/227 kg

Features, specifications & warranty

FRAME MATERIALS: 2x3" 11-gauge oval & rectangular tubular steel frames with a combination of 2x2" round tubing.

WELDS: All welded construction by inert-gas MIG welding conforming with all Structural Welding Code-Steel Standards and Specifications.

FINISH: Electrostatically applied powder coat finish.

FRAME COLORS: Main frame: Platinum Sparkle
Accent: Cathedral Gray

UPHOLSTERY: Black, premium grade naugahyde formulated to resist bacteria, stains, mildew and oil. Meets most flammability test requirements. Double-stitched with "hidden" borders.

PADDING: High density 2" thick rebond urethane foam glued to 1" industrial plywood backing, trimmed and formed to exact fit.

ADJUSTMENT PINS: 1/2" push-pull spring loaded solid steel adjustment pins with ultimate load of 9040 lbs. and 46042 psi shear strength.

BEARINGS: 1" solid steel pivot axles with non-friction 2" sealed bearings (load rating of 2400 lbs.) internally encased on primary pivots, and oil-impregnated bronze bushings on all secondary pivots.

GUIDE RODS: 3/4" solid steel 1045 (tgp) hard chrome finish.

CABLES: 3/16" and 1/8" USA-Made/Certified EXERFLEX PRO® high performance fitness cable.

PULLEYS: 4-1/2" and 3-1/2" fiberglass-impregnated nylon pulleys with double sealed roller bearings.

SELECTOR WEIGHT PINS: Solid steel, magnetic with ball-end to ensure a tight connection and secure fit. Coiled lanyard helps prevent pin removal and loss.

FASTENERS: All frame bolts and nuts are 3/8" and 1/2" zinc oxide.

WEIGHT STACK: Solid steel weight plates with self aligning low friction sleeves.

LIGHT COMMERCIAL WARRANTY:

TEN (10) YEARS: Structural main frames, welds, cams and weight plates.

FIVE (5) YEARS: Pivot bearings, pulleys, bushings, guide rods and gas shocks.

ONE (1) YEAR: Cables, linear bearings and pull-pin components.

ALL OTHER PARTS not mentioned elsewhere in the warranty will expire one (1) year from the date of purchase to the original purchaser.

SIX (6) MONTHS: Upholstery, finish and rubber grips.

Light Commercial Use: Light Commercial warranty applies only to facilities like hotels, apartment complexes, personal training studios, fire & police stations, etc. where the equipment would be used by no more than 30 people per day.

HOME LIFETIME WARRANTY*

LIFETIME of the equipment while owned by the original purchaser when used only in a HOME environment (applies to defects from manufacturer only).

* See Owner's Manual for details.

NOTICE: TuffStuff continually engages in research related to product improvement. As a result, the product received by the customer may differ slightly from its published description. Improvements in materials, production techniques and design refinement may at any time be introduced into our products. TuffStuff reserves the right to make changes in its product without notice.



TUFFSTUFF FITNESS INTERNATIONAL INC.

13971 Norton Avenue, Chino, CA 91710, USA. PH: 909-629-1600 FX: 909-629-4967

info@tuffstuff.net www.tuffstufffitness.com