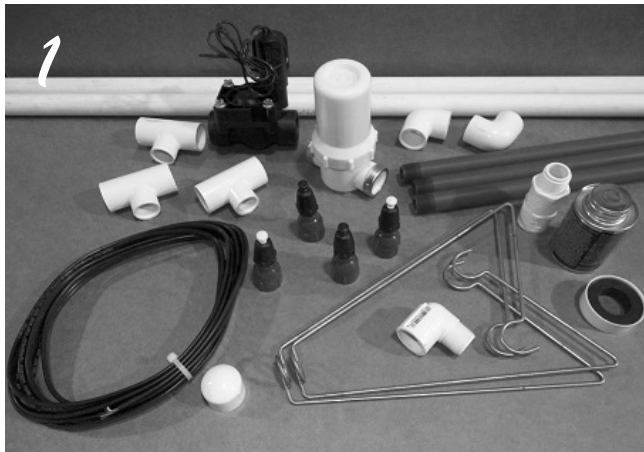


Phytotronics

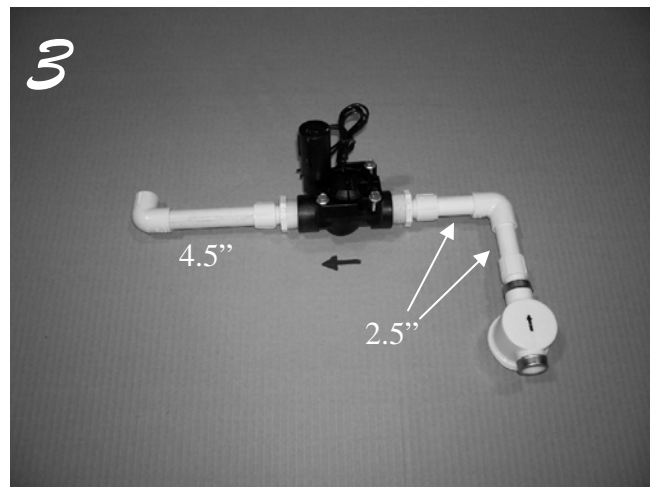
Mist / Watering Kit



Some parts are shown; your exact contents will vary depending on kit length. All tubing is precut to make assembly easier. **De-burr and bevel both ends of the PVC pipe.**

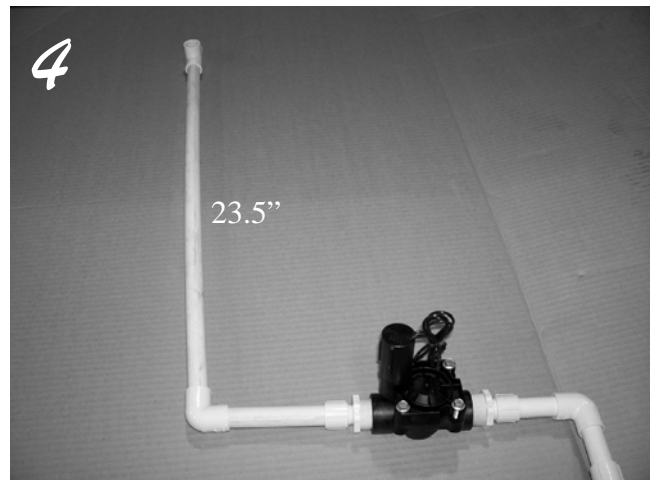


Thread fittings & adapters into both sides of the solenoid (watch for flow arrows) and the outlet side of the filter. Use Teflon tape on these fittings. Tighten securely to prevent leaks. *Great care must be taken to keep the glue out of the solenoid valve.*



Using PVC glue assemble the pieces as shown above. System is designed for filter to overhang the bench edge.

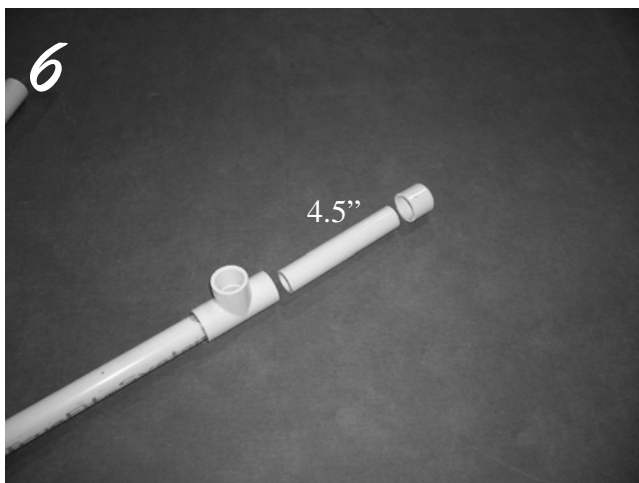
PVC Glue dries quickly so plan ahead to ensure fittings will point the correct direction. Follow directions on glue for best results.



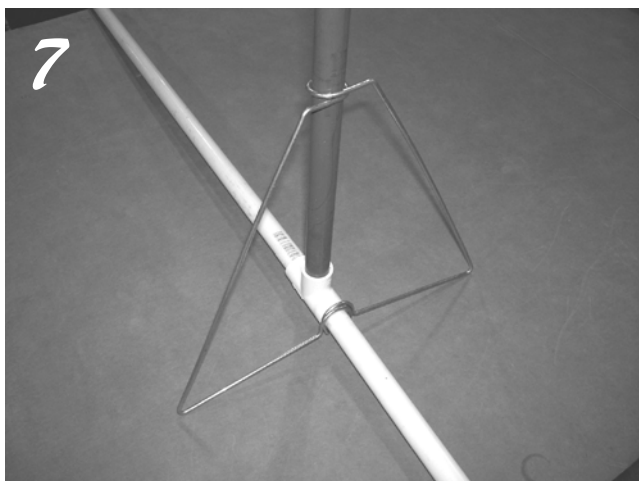
Connect the first piece of tubing to the elbow and install the T fitting with the middle leg pointing straight up.



Continue installing the 48" pieces and the T fittings. The middle leg on all T fittings must face up.

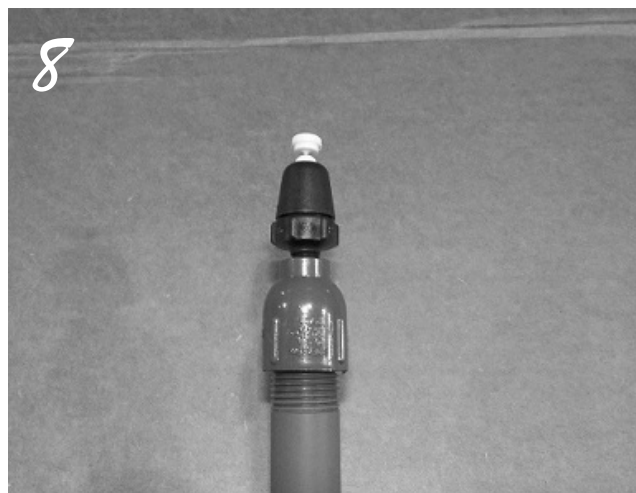


After all of the T fittings and 48" pieces are assembled the end can be capped. Glue the tail extension in place and cap. The extension is used to allow for further expansion by cutting the cap off and using a coupler to attach additional length.



Install the gray risers by gluing them into the T fitting. The Irrigation stands are used 1 at each end and 1 (or more) spaced down length. Every upright does not receive a stand.

Flush the system with water BEFORE installing the misting nozzles. This will help to prevent them from being plugged with small plastic bits or excess pieces of Teflon tape.



Using Teflon tape thread adapters onto the risers. DGT Blue and white nozzles are included, alternate colors for even water distribution. Carefully apply Teflon tape and thread misting nozzles into the adapters.



If misting system is to be feed by a garden hose use the threaded elbow to relive stress on the filter. Using the supplied wire connect the 24-Volt solenoid to a power source. A Phytotronics Electronic Leaf or a 24-volt timer system can used to supply power to the solenoid. Other accessories are also available; riser extensions, different thread adapters and many different mist or watering nozzles.

By adjusting your faucet up or down, the spread of the Mist

can be adjusted to the width of
the table.