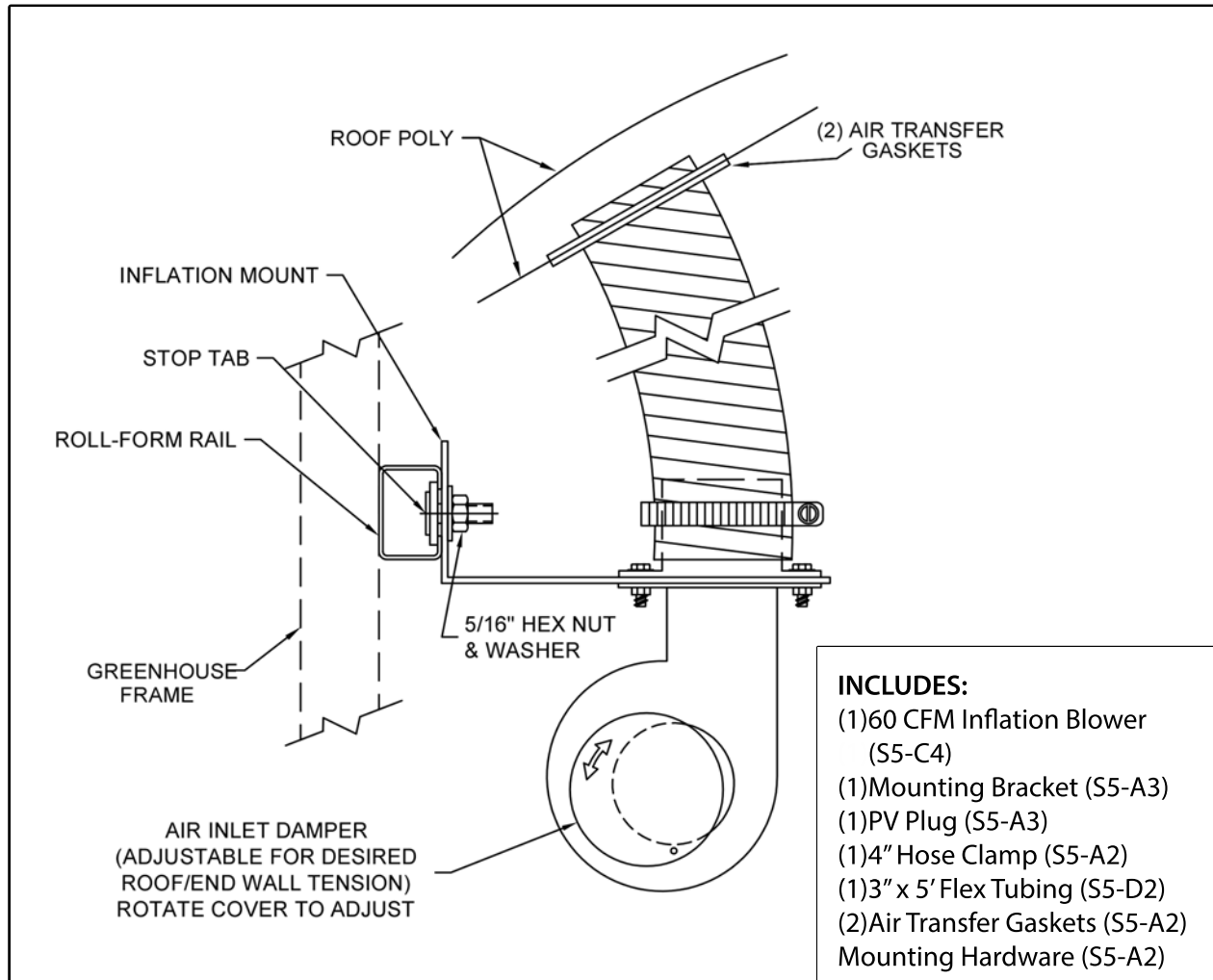


INFLATION KIT ASSEMBLY



1. Install inflation mount firmly to horizontal or vertical greenhouse frame member (fasteners supplied only for mounting to roll-form rails; fasteners for other applications not provided).
2. To attach the inflation mount to roll-form rails, use stop tabs, 5/16" lock washers, and 5/16" hex nuts as shown in diagram above.
3. Place (1) air transfer gasket on the poly to be inflated. Cut out the poly (ONE layer of plastic only) from the gasket to allow air to pass. Note: Only cut through ONE layer of plastic.
4. Place a second air transfer gasket on the inside of the roof poly. Be sure to align the two gaskets prior to pressing the two together. Staple the 2 gaskets together using an ordinary office stapler.
5. Insert the 3" x 5'-0" flex tubing through the air transfer gaskets. Make sure approximately 1" of flex tubing passes through gaskets to ensure a tight fit. Make sure the sharp wire is not exposed to puncture the outer layer of poly.



Warehouses in Danville, Illinois and Sacramento, California • Corporate Office: 1-888-281-9337

GreenhouseMegastore.com