



DOSATRON®

WATER POWERED DOSING TECHNOLOGY

SCHEMATICS

Dosatron Liquid Dispenser **Model # D8RE2 - 40 GPM**

1:500 – 1:50
2.2 - 116 PSI

Suggested Installation:

200 mesh/80 micron water filter prior to unit

One-way check valve downstream from unit for water hammer protection

Suggested Maintenance Interval:

Replace injection seals every 12 months

DOSATRON SALES & SERVICE - NORTH & CENTRAL AMERICA

Dosatron International, Inc.

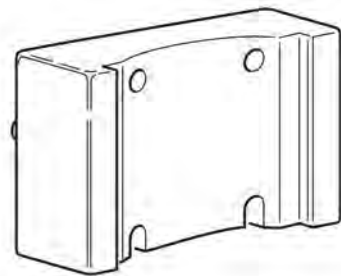
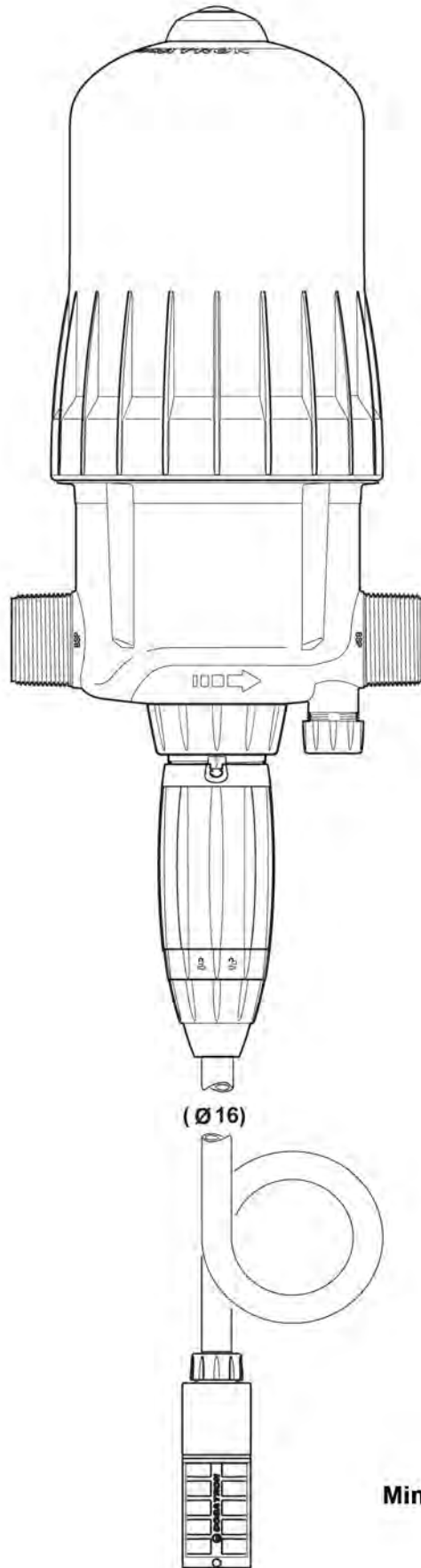
Phone: 727-443-5404 Service: (800) 523-8499

Fax: 727-447-0591

www.dosatronUSA.com

D8RE2

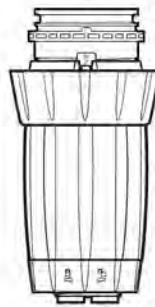
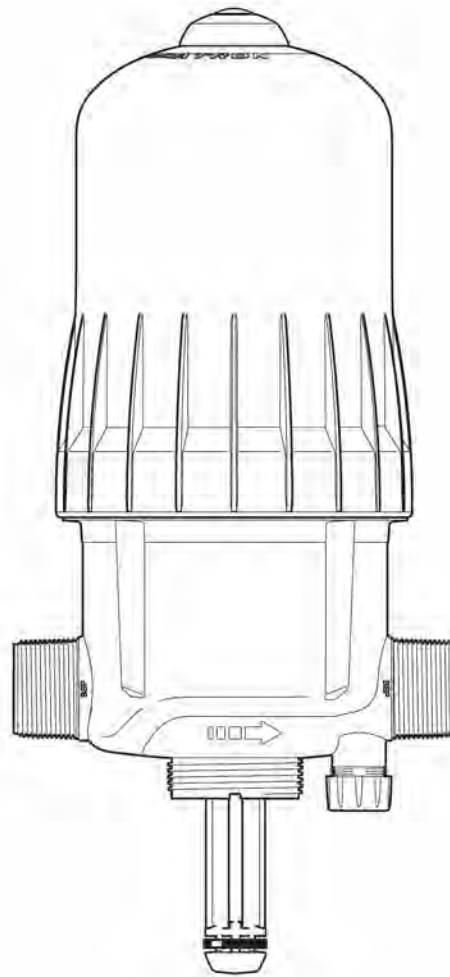
8 m³/h - 0.2 - 2%
40 GPM - 1:500 - 1:50
0.15 - 8 bar
2.2 - 116 psi



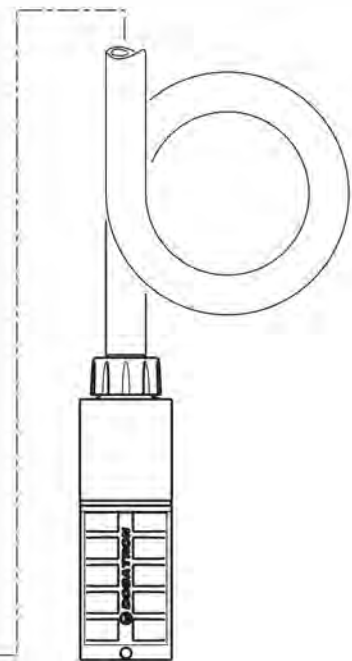
Injection Seal Kit Part #: PJD1120V
Mini Maintenance Kit #: PJD1120VMINI-H

D8RE2

8 m³/h - 0.2 - 2%
40 GPM - 1:500 - 1:50
0.15 - 8 bar
2.2 - 116 psi

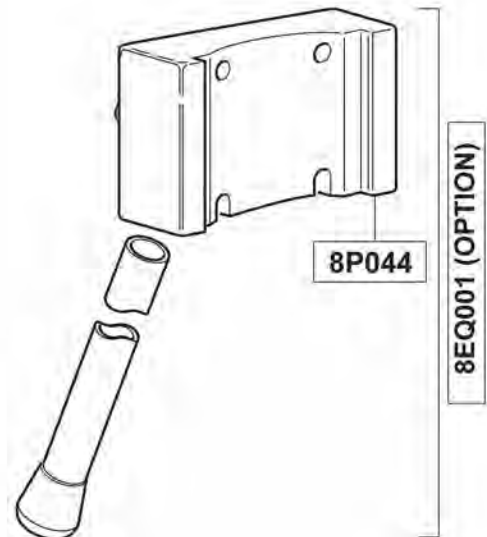
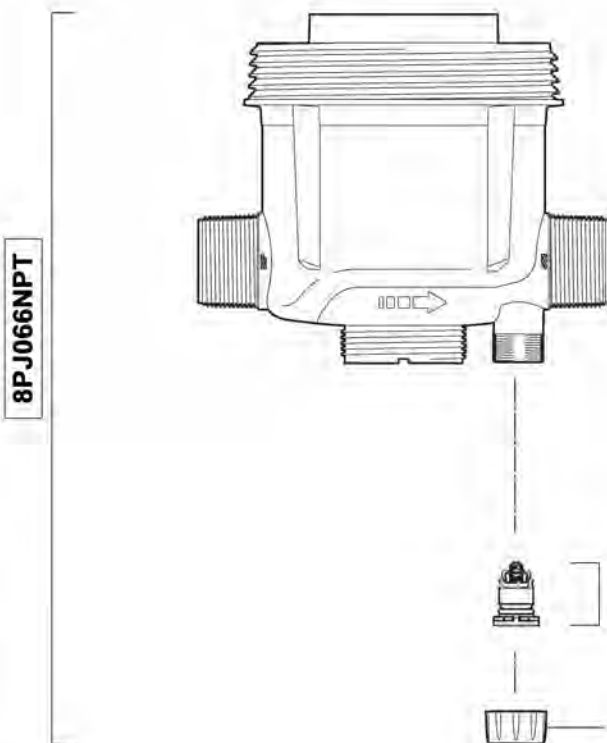
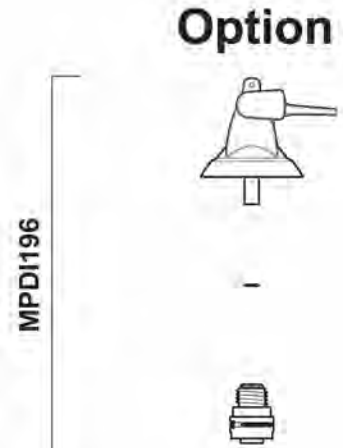
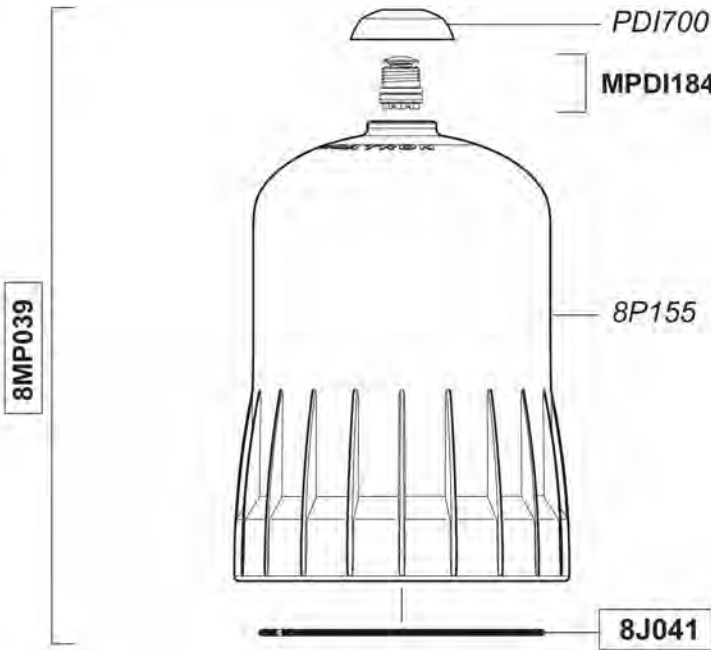


(Ø 16)



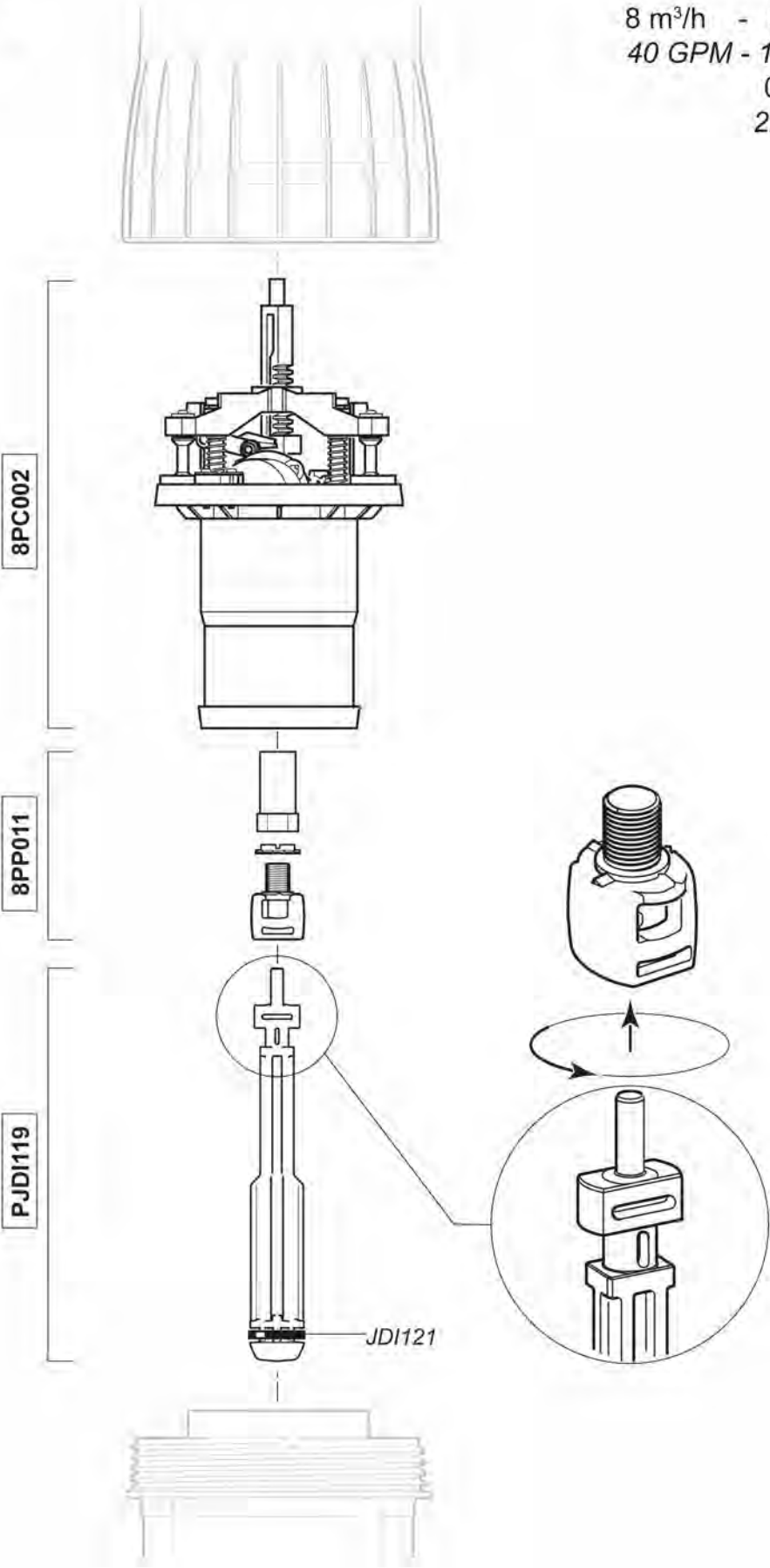
D8RE2

8 m³/h - 0.2 - 2%
40 GPM - 1:500 - 1:50
0.15 - 8 bar
2.2 - 116 psi



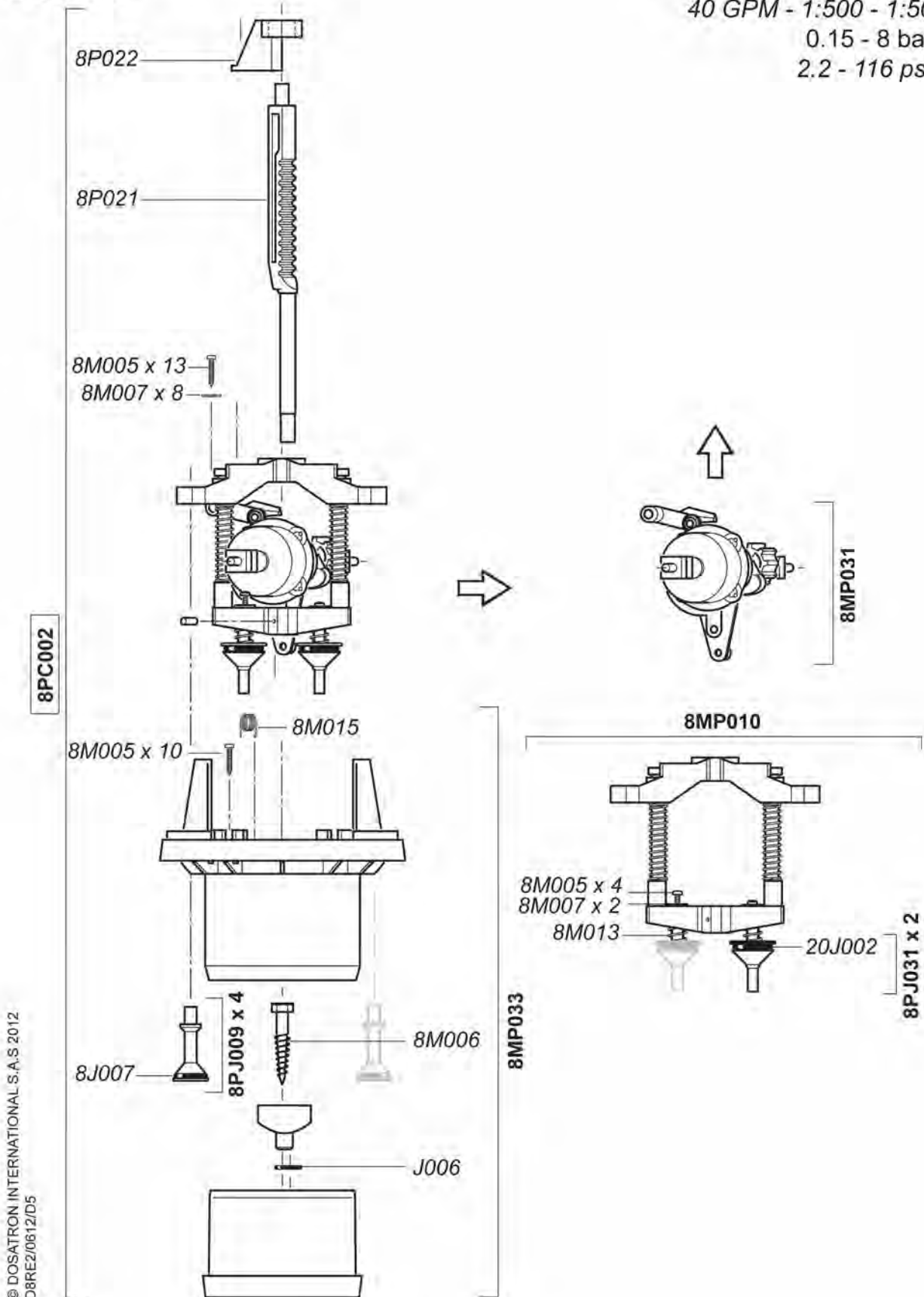
D8RE2

8 m³/h - 0.2 - 2%
40 GPM - 1:500 - 1:50
0.15 - 8 bar
2.2 - 116 psi



D8RE2

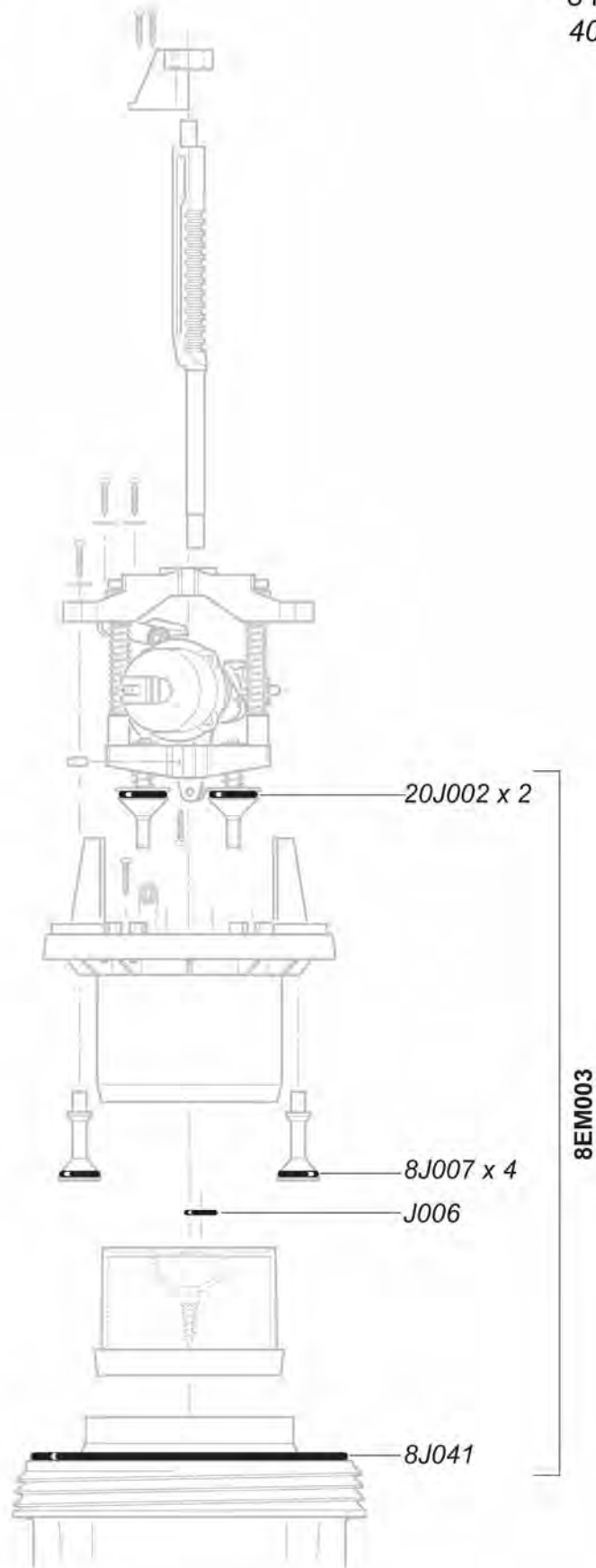
8 m³/h - 0.2 - 2%
 40 GPM - 1:500 - 1:50
 0.15 - 8 bar
 2.2 - 116 psi



© DOSATRON INTERNATIONAL S.A.S 2012
 D8RE2/0612/ID5

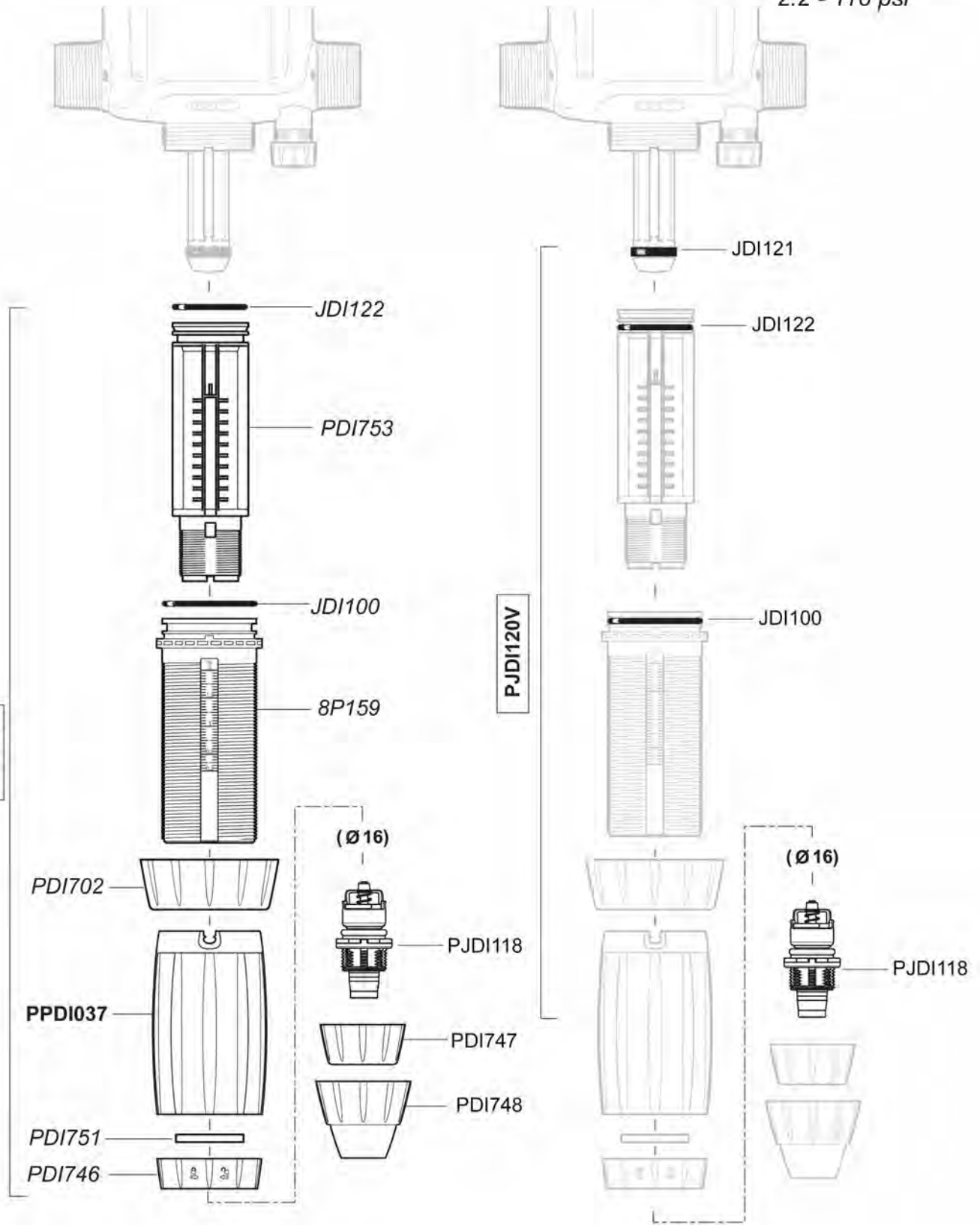
D8RE2

8 m³/h - 0.2 - 2%
40 GPM - 1:500 - 1:50
0.15 - 8 bar
2.2 - 116 psi



D8RE2

8 m³/h - 0.2 - 2%
 40 GPM - 1:500 - 1:50
 0.15 - 8 bar
 2.2 - 116 psi



D8RE2

8 m³/h - 0.2 - 2%
40 GPM - 1:500 - 1:50
0.15 - 8 bar
2.2 - 116 psi

4.3 - 85 psi

