

# BAYLISS AUTOVENTS Mk 7

Dear Customer,

It can be a temptation to disregard instructions, but we urge you to spend a few moments reading these to make fitting your autovent much easier. If you are pleased with your Bayliss Autovent, please tell others. If not, please tell us.

## Preparing the unit for fitting

1. Remove the Autovent unit and fixings pack from the box.
2. Place the Autovent unit in a cool place for half an hour, - a refrigerator is ideal. This will allow the wax in the power tube time to contract as it cools.
3. When the Autovent unit is cool, remove from the refrigerator and place the steel piston rod (See Fig 8), against a hard surface and push it firmly back into the tube. The Autovent is now ready to fit.
4. Because the design of greenhouse vents varies considerably, it is impossible to illustrate every type of fitting. Choose the fitting method most suitable from those shown on Page 3. If mounting the Autovent on a side window, see Fig 7.  
The Autovent should be fixed as near as possible to the middle of the vent so that it will not twist. See Fig 1.  
To ensure that the Autovent is not overloaded and that head room or growing space is not reduced. IT IS MOST IMPORTANT that the gap between the straight link and the glass in the vent is the same at both ends when the vent is closed See Fig. 2.

## Setting

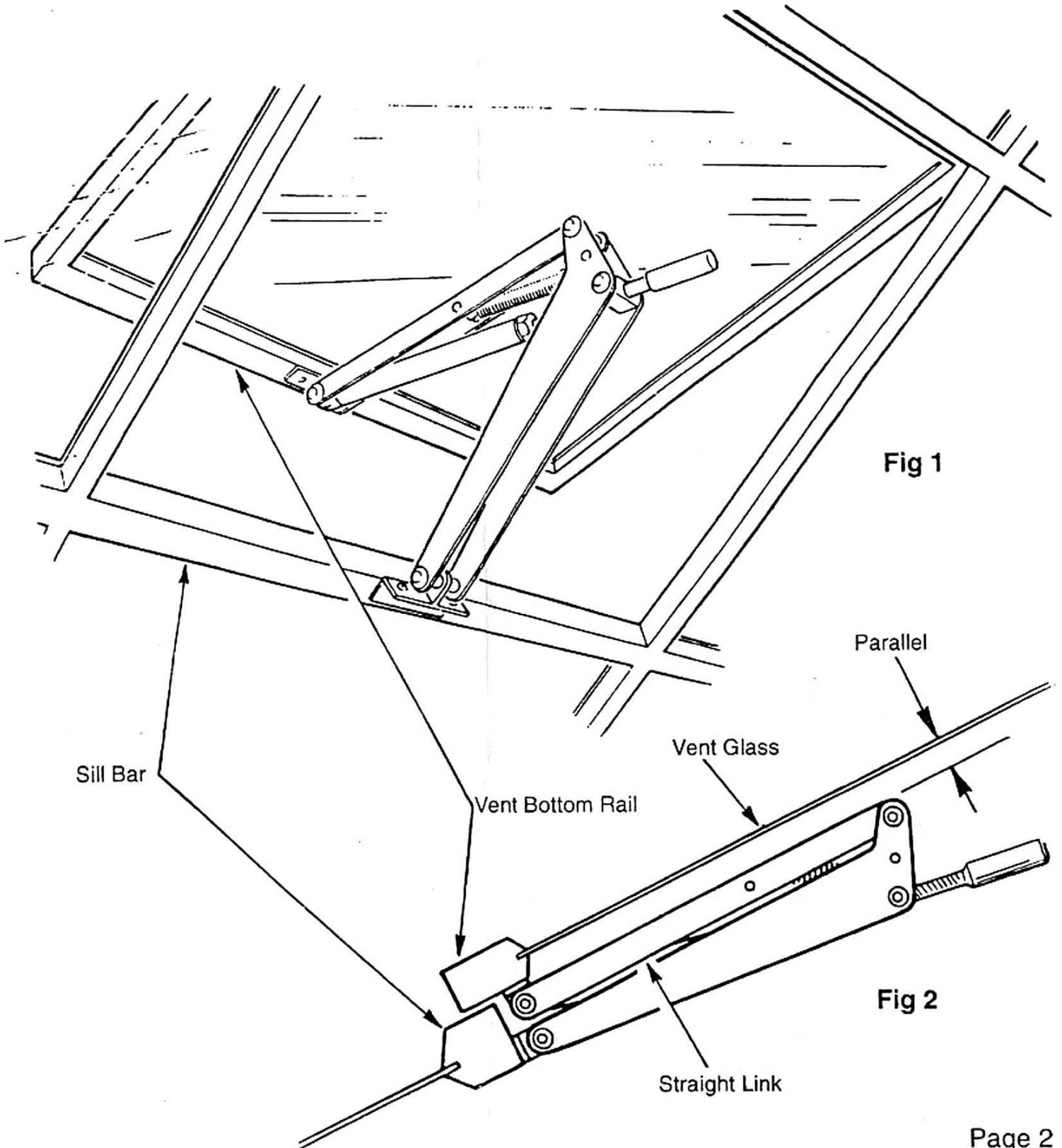
5. When the Autovent has been fitted, take the knurled adjuster screw from the fixings pack and slip it over the piston rod. If necessary, open the window with one hand and screw the knurled adjuster into the swivelling block until the Autovent unit holds the window open 1/8 inch (3 mm) when you lower it slowly and take your hand away.  
Setting is best carried out when there is no wind blowing through the window and when the temperature measured by a thermometer placed or hung by the Autovent unit indicates the temperature at which you wish the vent to start opening.  
If you wish the Autovent to start opening the window at a higher temperature, screw the adjuster out of the swivelling block and vice versa, but make sure that at least four threads on the adjuster screw are engaged

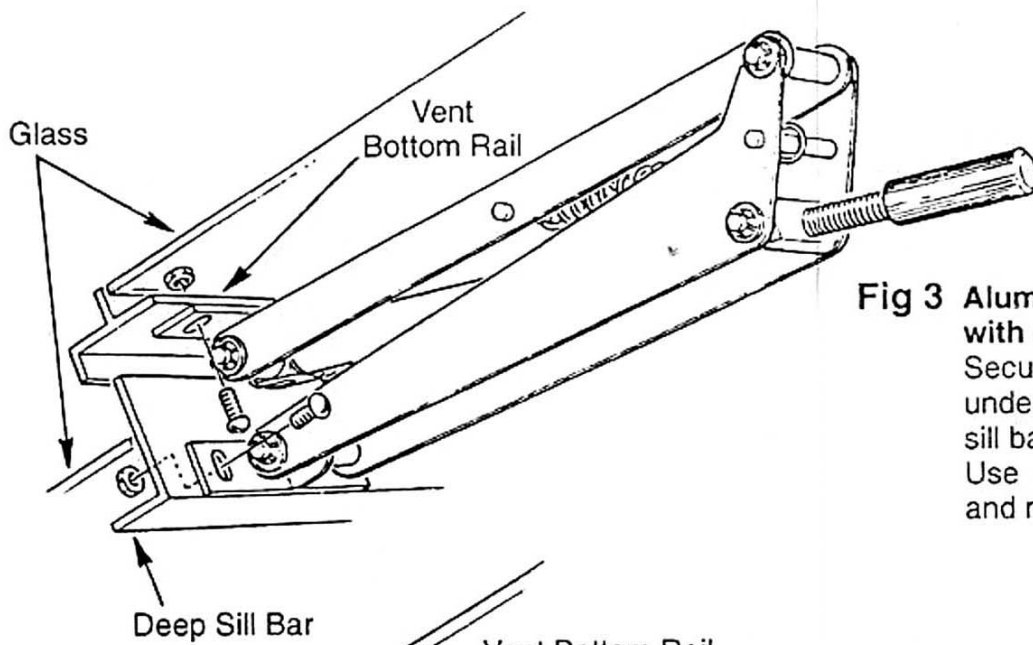
## Other Information

The Mk 7 Autovent is designed in such a way that it will not open in cold or windy weather. It is fitted with a strong stainless steel spring to hold it steady, but in high winds other windows and doors should be kept closed.

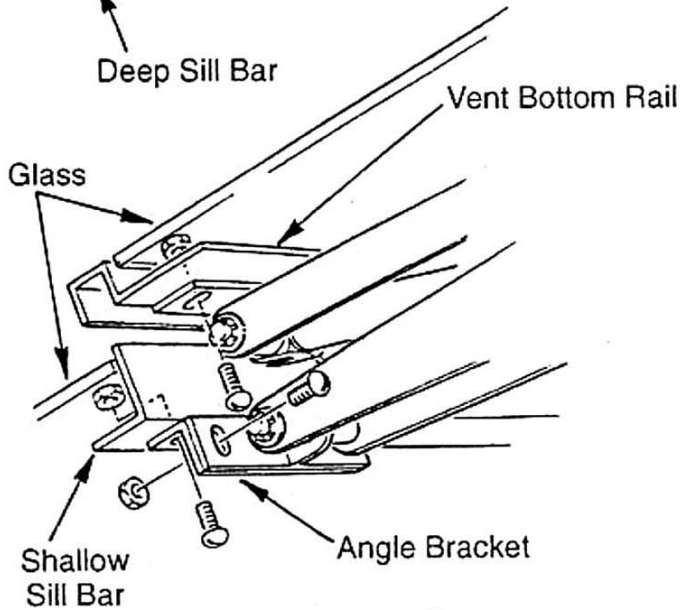
At full stretch on a hot still day the Mk 7 Autovent will give a maximum opening of approximately 12 inches (30 cm). It should not be harmed by low temperatures and can be left on the window throughout the year.

If there is an existing vent stay, this should be removed or fastened in such a way that it cannot stop the Autovent unit from working.

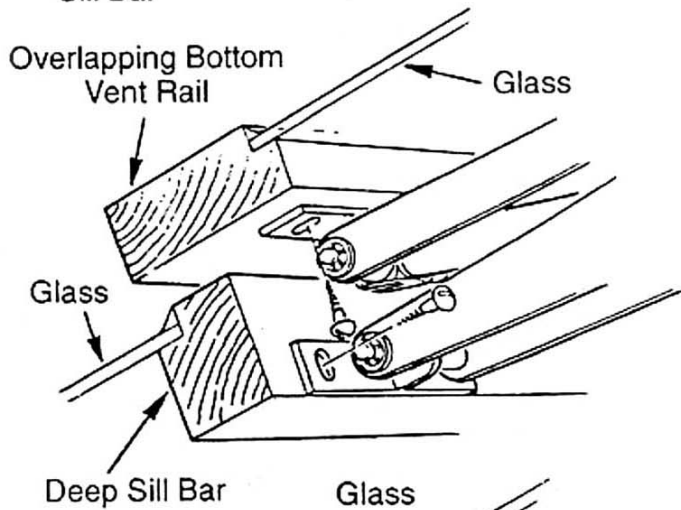




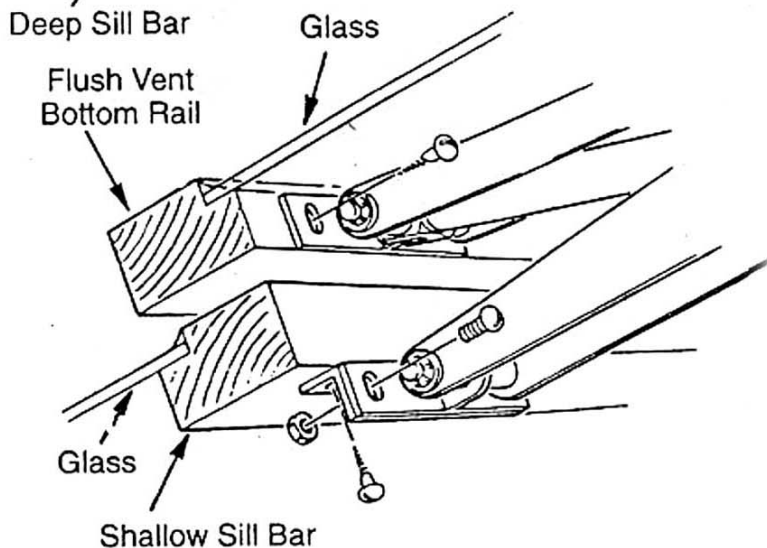
**Fig 3 Aluminium framed greenhouse with deep sill bar.**  
Secure bottom rail 'T' bracket to underside of vent bottom rail. Secure sill bar 'T' bracket to face of sill bar. Use 4 round head screws and nuts from the screw pack.



**Fig 4 Aluminium framed greenhouse with shallow sill bar.**  
Use angle bracket from screw pack secured to underside of sill bar. Use 6 round head screws and nuts from the screw pack.



**Fig 5 Wood framed greenhouse with deep sill bar and overlapping bottom rail.**  
Secure bottom rail 'T' bracket to underside of bottom rail. Use 4 round head woodscrews from the screw pack.

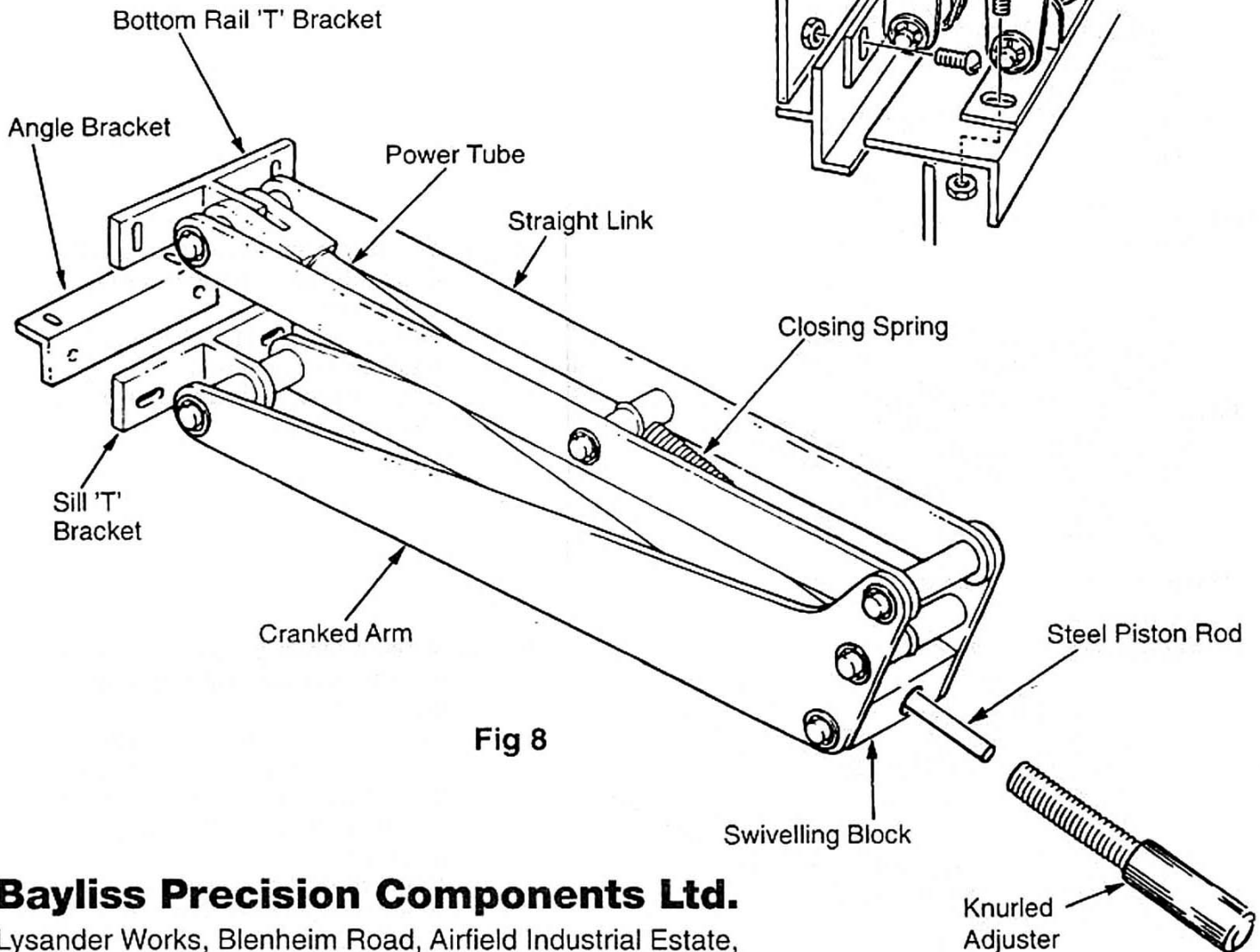
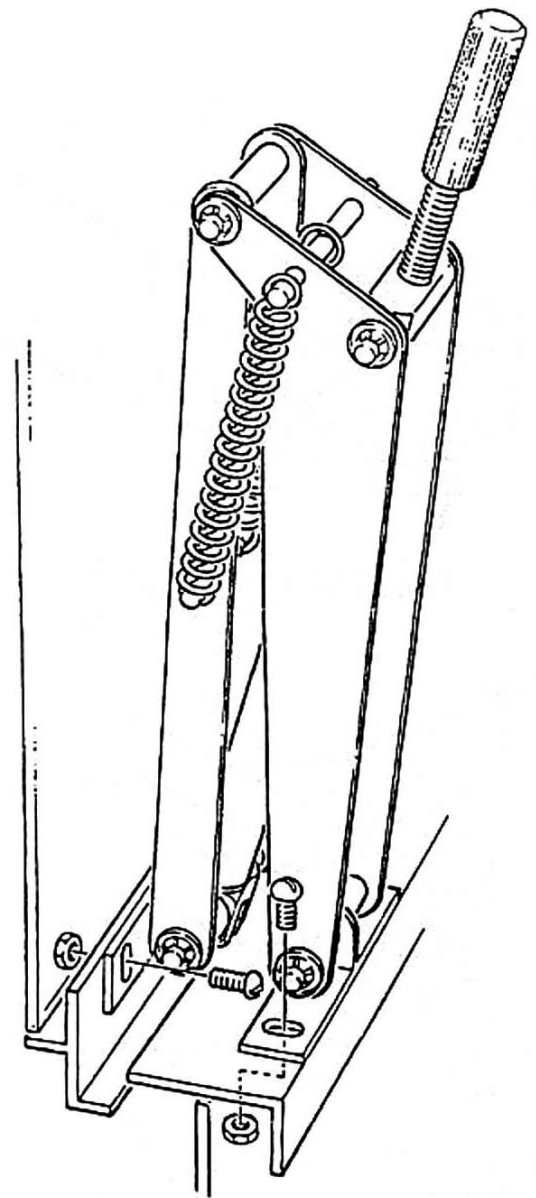


**Fig 6 Wood framed greenhouse with shallow sill bar and flush vent bottom rail.**  
Secure bottom rail 'T' bracket to face of bottom rail. Secure angle bracket from screw pack to underside of sill bar. Fasten sill bar 'T' bracket to angle bracket. Use 4 round head woodscrews and 2 round head screws and nuts from the screw pack.

**Fig 7 Fitting the Autovent to a vertical side window hinged along it's top edge.**

The triple-spring Mk 7 Autovent should be used for this type of application as the additional springs give a greater closing force (approximately 4lb (2Kg)). The Autovent should be fitted generally as shown opposite. You should choose the fitting method most suitable from those shown on Page 3.

**IT IS MOST IMPORTANT** that the gap between the straight link and the glass in the window is the same at both ends when the window is closed.



**Fig 8**

**Bayliss Precision Components Ltd.**

Lysander Works, Blenheim Road, Airfield Industrial Estate,  
Ashbourne, Derbyshire. DE6 1HA

Telephone: 01335 342981

Fax: 01335 343860