

STEPMASTER™ ASSEMBLY INSTRUCTIONS

3 SHELF PYRAMID

Oil all sockets before assembly

Components SM362403P

Panels:



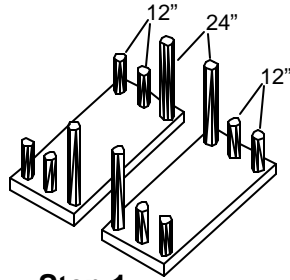
(2) Floor panels
(open hole sockets)



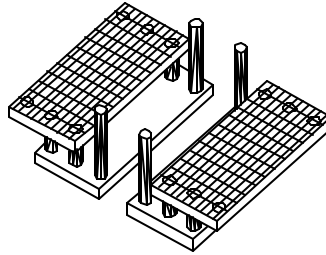
(3) Middle and Top panels
(closed hole sockets)

Legs:

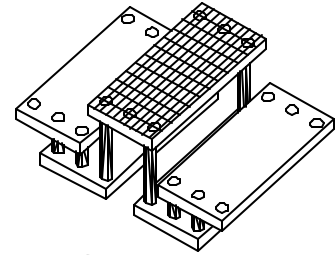
(8) 12"
(4) 24"



Step 1
Floor level



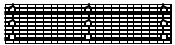
Step 2
Middle level



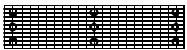
Step 3
Top level

Components SM662403P

Panels:



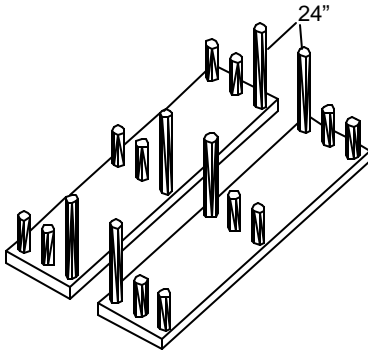
(2) Floor panels
(open hole sockets)



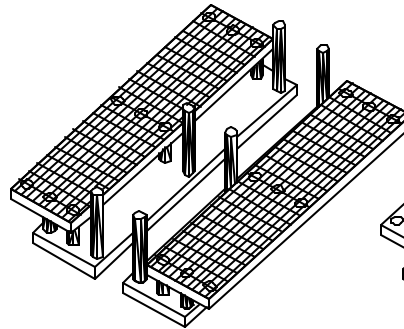
(3) Middle and Top panels
(closed hole sockets)

Legs:

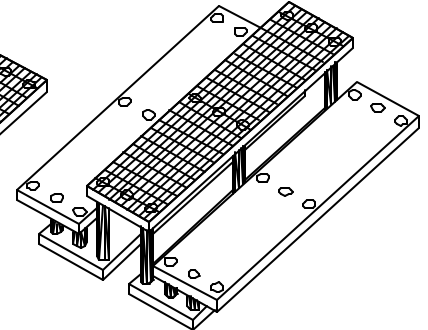
(12) 12"
(6) 24"



Step 1
Floor level



Step 2
Middle level



Step 3
Top level

Components SM962403P

Panels:



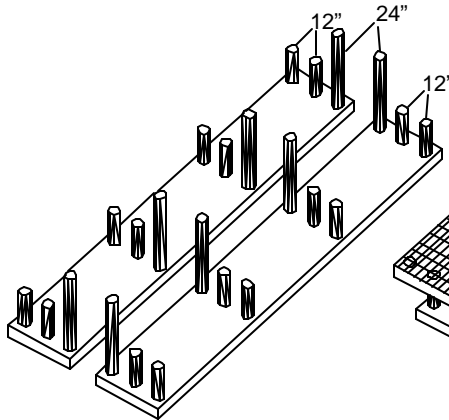
(2) Floor panels
(open hole sockets)



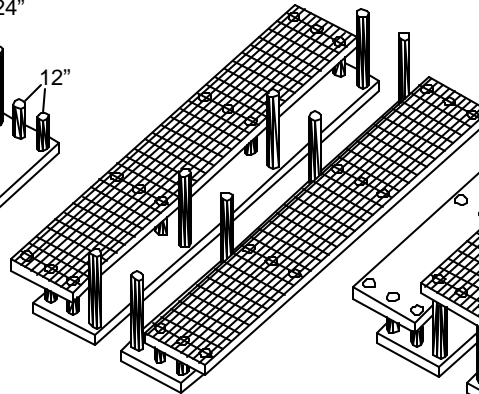
(3) Middle and Top panels
(closed hole sockets)

Legs:

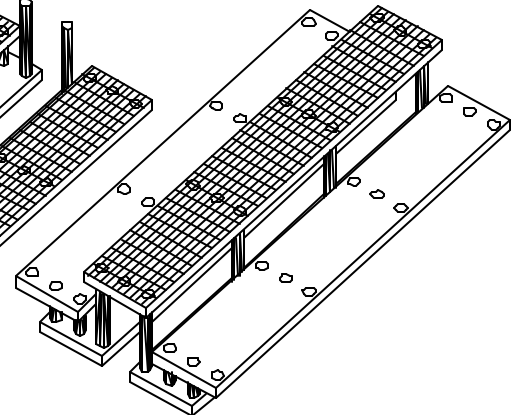
(16) 12"
(8) 24"



Step 1
Floor level



Step 2
Middle level



Step 3
Top level

Step 1

Lay (2) floor panels (open hole sockets) in position and place 12" and 24" legs as shown. (Make sure legs go through to ground).

Step 2

Position (2) middle panels (closed hole sockets) on 12" legs in floor panel overhanging outside edge of panel as shown.

Step 3

Position top panel (closed hole sockets) on 24" legs using outside rows of sockets as shown. Push panel down until legs are fully seated in sockets.