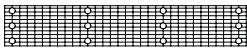


ASSEMBLY INSTRUCTIONS

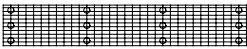
SC967203W

Components:

Panels:



(2) Floor Panels
(open hole sockets)



(1) 1st Level
(closed hole sockets)

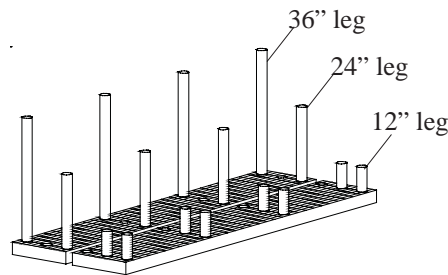


(2) 2nd and 3rd Levels
(open center hole sockets)

Legs:

(16) - 12"
(4) - 24"
(4) - 36"
(8) - 72"

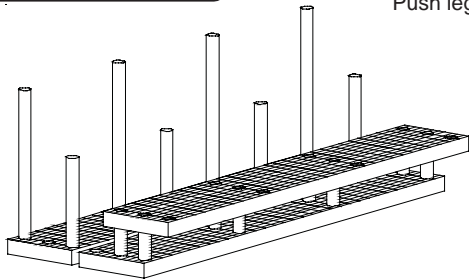
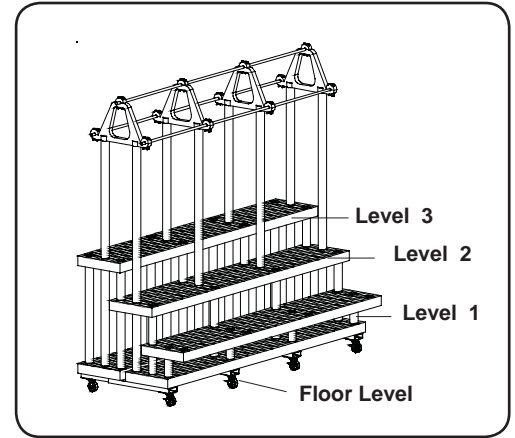
Oil All Sockets Before Assembly



Step 1 Floor Level

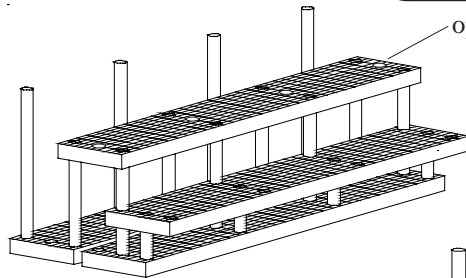
Place legs as shown.
Push legs through to ground.

Fully Assembled



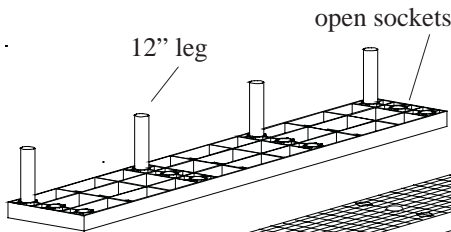
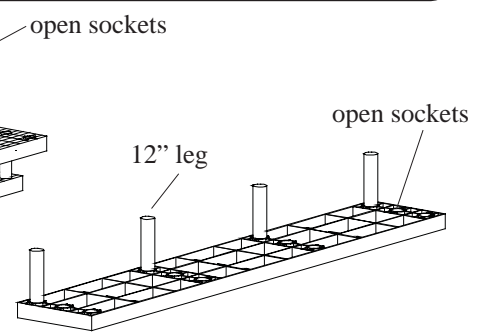
Step 2 Level 1

Position the Level 1 Panel on 12" legs overhanging outside edge as shown.

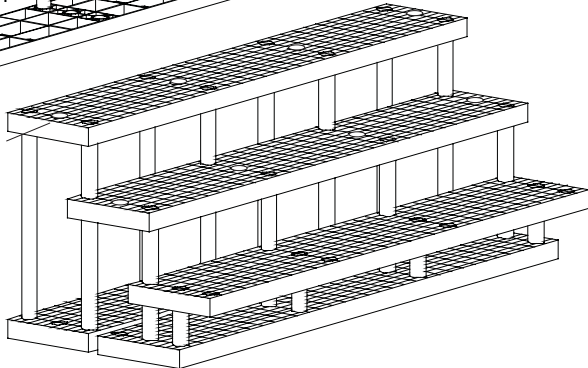


Step 3 Level 2

- Invert Level 2 panel and place (4) 12" legs in outside sockets.
- Position panel on 24" legs while placing 12" legs on the Level 1 panel. Push panel down so that the 24" legs are seated in the sockets.



open sockets



Step 4 Level 3

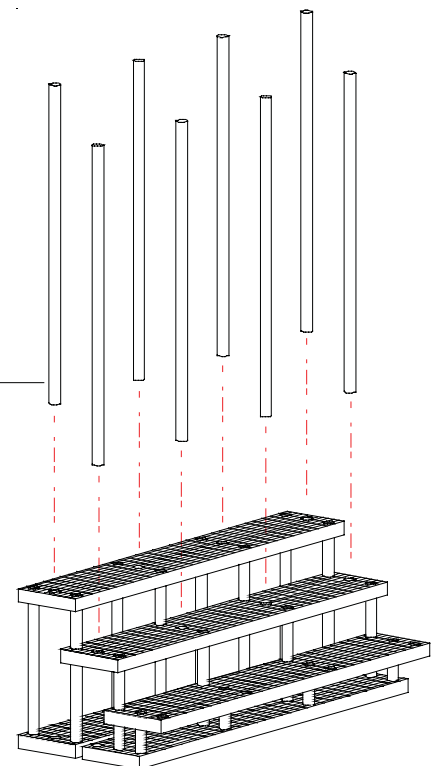
- Invert Level 3 panel and place (4) 12" legs in outside corners.
- Position panel on 36" legs while placing 12" legs on the Level 2 panel. Push panel down so that the 36" legs are seated in the sockets.

72" leg

Oiling the sockets will make this step easier.

Step 5 Plant Hanger

Insert 72" legs into center open hole sockets of Levels 3 and 2. Slide legs all the way through open hole sockets in floor panels. (Make sure to push legs all the way down to the floor).

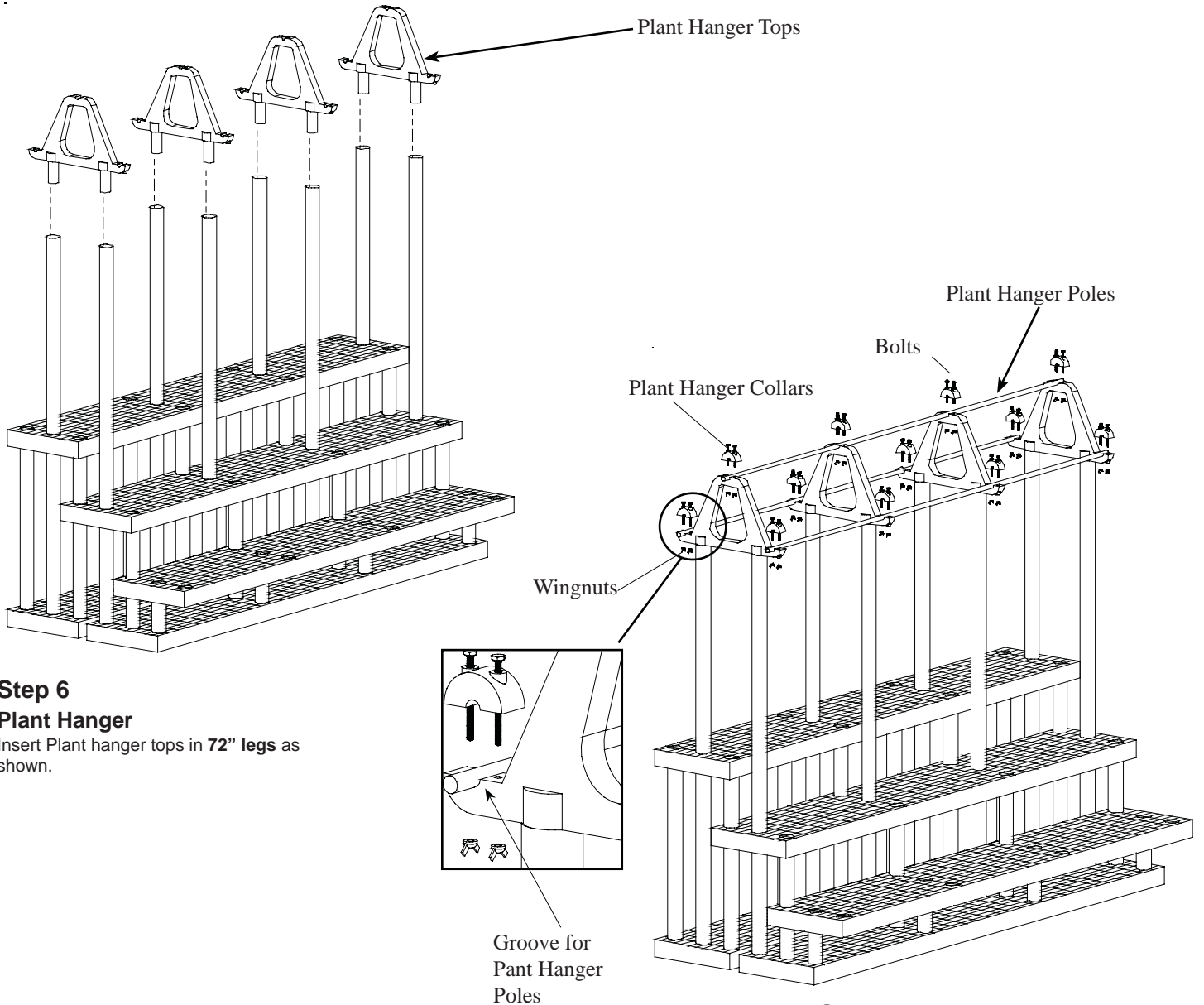


ASSEMBLY INSTRUCTIONS

SC967203W

Oil All Sockets
Before Assembly

Components:
Plant Hanger Top: 4
Plant Hanger Collars: 12
Plant Hanger Poles: 3
Bolts: 24
Wingnuts: 24



Step 6 Plant Hanger

Insert Plant hanger tops in 72" legs as shown.

Step 7 Plant Hanger

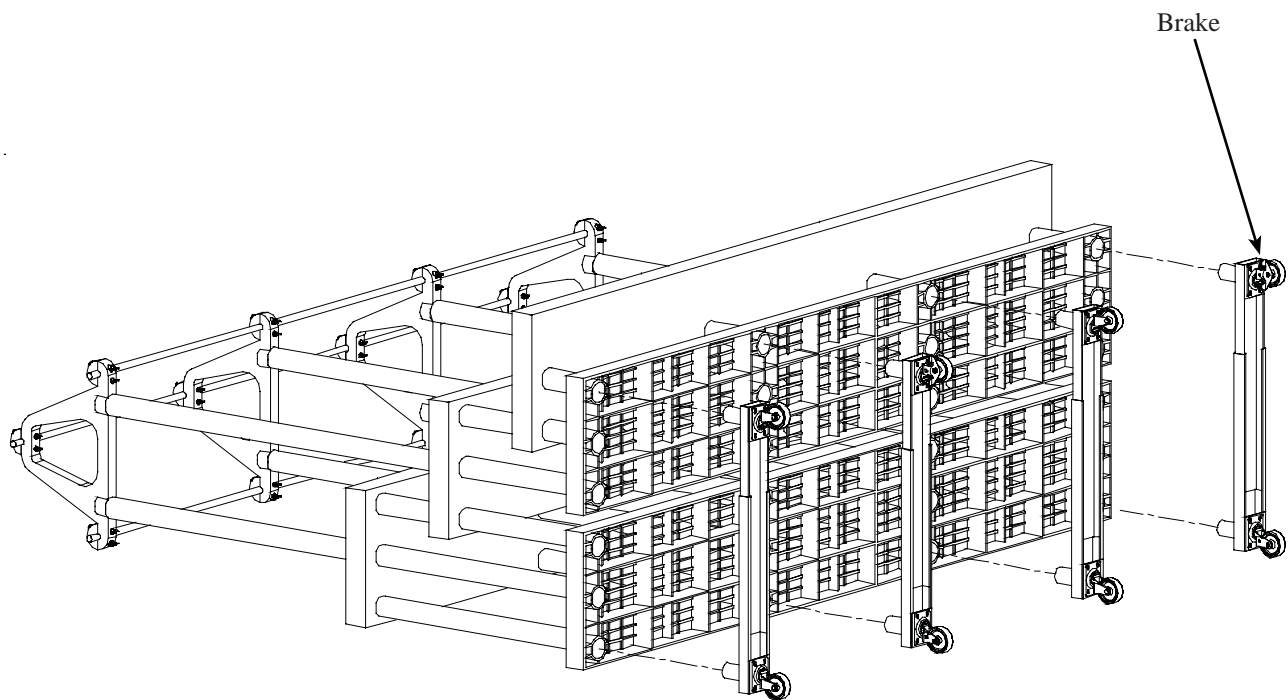
Next, place 93" plant hanger poles into small groove in plant hanger top. Place plant hanger collars over poles and fasten down with bolts and wingnuts.

ASSEMBLY INSTRUCTIONS

SC967203W

Oil All Sockets
Before Assembly

Accessories:
(4) - Mobile Bars



Step 8 Mobile Bar

Position fixture on its back side and insert the stems of the mobile bar inside the sockets as shown.

Brakes go to the front of the fixture.