

**Components:**

**SC363603W**

**Panels:**



(2) Floor Panels  
(open hole sockets)



(3) 1st, 2nd and 3rd Levels  
(closed hole sockets)

**Legs:**

(6) - 12"

(4) - 24"

(4) - 36"

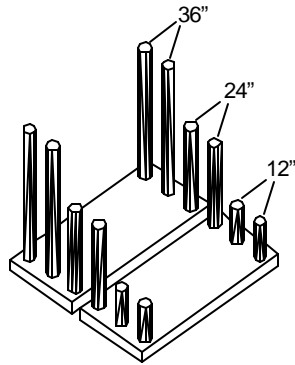
**Accessories:**

(2) - Mobile Bars

# STEPMASTER™ ASSEMBLY INSTRUCTIONS

## SC363603W 3 SHELF MOBILE WALL UNIT

Oil all sockets before assembly

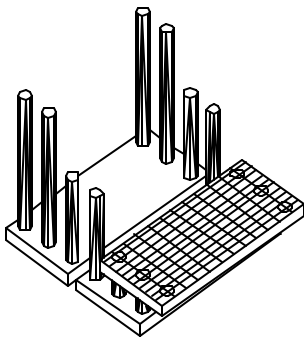
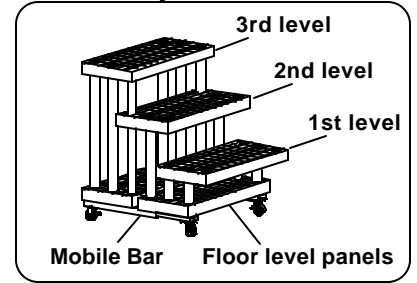


### Step 1

#### Floor level

Lay floor panels (**open hole sockets**) in position and place legs as shown. (Make sure legs go through to ground).

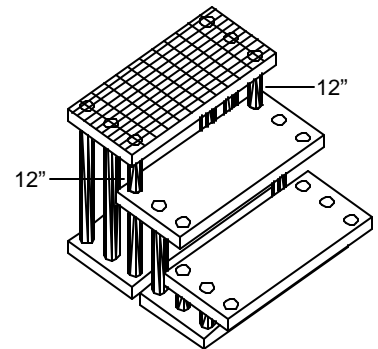
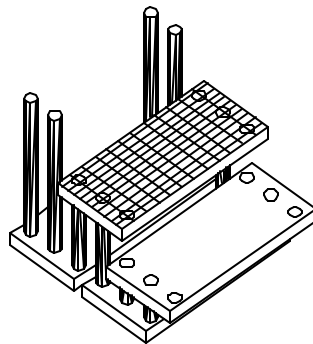
### Fully Assembled



### Step 2 and step 3

#### 1st level and 2nd level

Position the 1st and 2nd level panels (**closed hole sockets**) overhanging outside edges as shown. Push down until leg rests on top of socket.



### Step 4

#### 3rd level

Position the 3rd level panel overhanging outside edge as shown. Next place the (2) remaining **12" legs** in outside corners of panel. Push down until leg rests on top of socket.

## Mobile Bar

### Step 5

#### Mobile Bar

Position fixture on its back side and insert the stems of the mobile bar inside the sockets as shown.

Brakes go to the front of the fixture.

