

PERFORMANCE

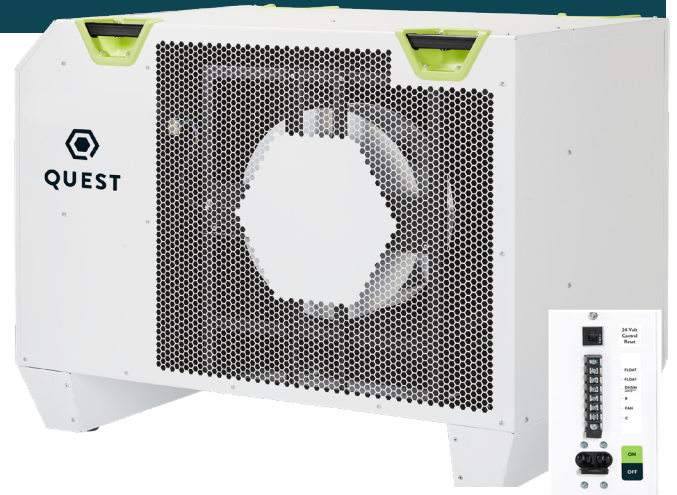
°F %RH	80 60	75 50
Water Removal (P/Day)	876	614
Efficiency (P/kWh)	6.6	5.2
Energy Factor (L/kWh)	3.1	2.5

ELECTRICAL

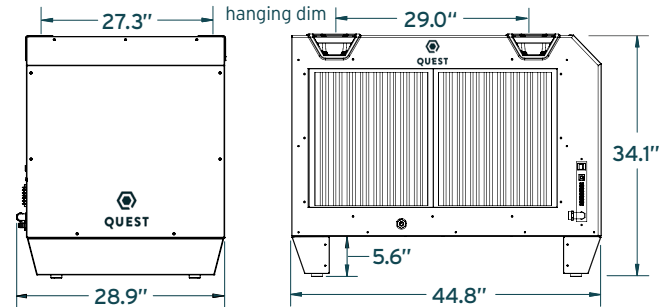
°F %RH	80 60
Supply Voltage	230V
Current Draw	24.7A
MCA*	42.5A
MOP*	70A
Recommended Breaker Size	45A
Power	5,500W
Power Cord	Hardwire, no cord
CFM	1,850
BTU (Total)	58,200
BTU (Heat of Condensation)	39,600
BTU (Motor Load)	18,600

SPECS

Control Type	External control required (not provided)
Refrigerant Type	R410a
Refrigerant Amount	6 lb 4 oz
Weight	340 lb
Air Filter MERV Rating	MERV-13
Dimensions	18" x 20" x 2"
Drain Port Connection	3/4" Threaded NPT
Operating Temperature	56 F Min - 95 F Max



DIMENSIONS



FEATURES

- + **Patented M-CoRR Technology:** Achieves the highest efficiency in its class
- + **Superior MERV-13 Filtration:** Removes harmful contaminants from the air, such as mold, bacteria and some viruses
- + **Integrated Lift and Hang Points,** for easier movement and flexible installation
- + **Low Amp Draw,** putting less stress on the grid and freeing up electricity for other equipment
- + **Auto-Restart** to previous settings after loss of power

Specifications are subject to change without notice. Drawings are not to scale. *See manual for details on MCA/MOP.