

Pump Kit

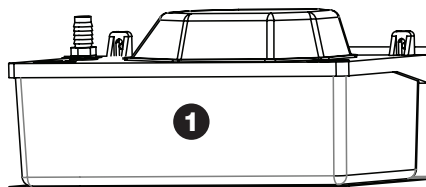
Part No. 4022220

Parts Included:

1. Condensate Pump
2. (2) 8-18 x 3/4 Screws
3. 3/8" x 20' Hose
4. Clamp

Tools Required:

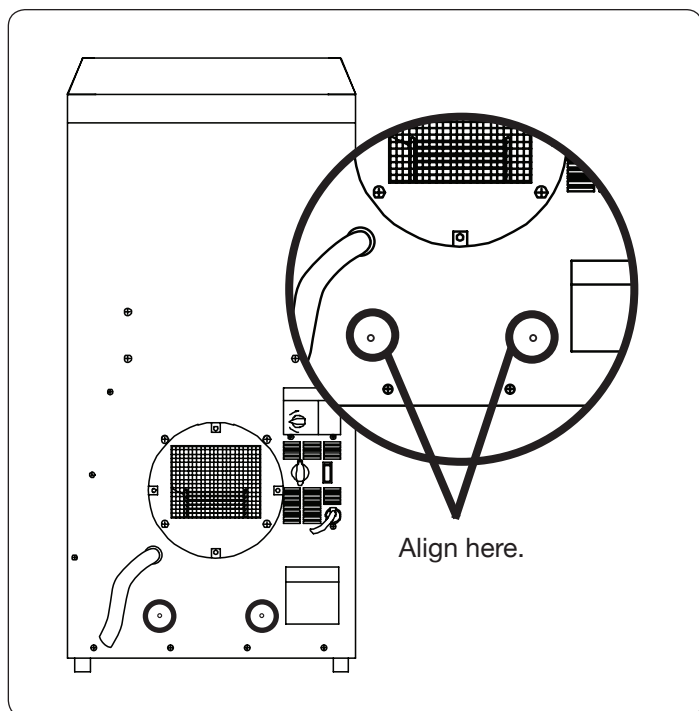
- Phillips Screw Driver
- Level
- Utility Knife
- Additional materials will be needed to elevate dehumidifier



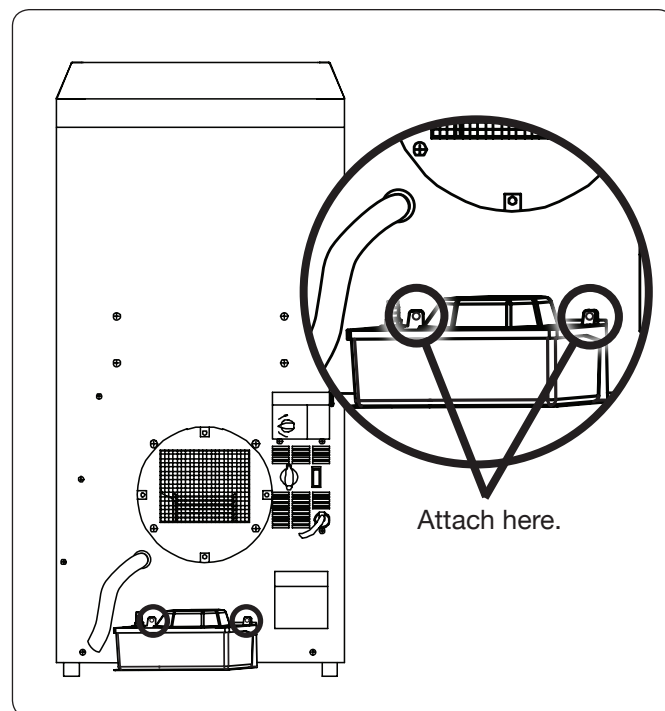
⚠ CAUTION!

BEFORE INSTALLING PUMP KIT, DISCONNECT DEHUMIDIFIER FROM ELECTRICAL POWER AND DISCONNECT DRAIN HOSE IF PREVIOUSLY INSTALLED.

Step 1: Align condensate pump with the dehumidifier screw holes.



Step 2: Attach the condensate pump using the two screws as shown. Do not over tighten the screws.



OVER →

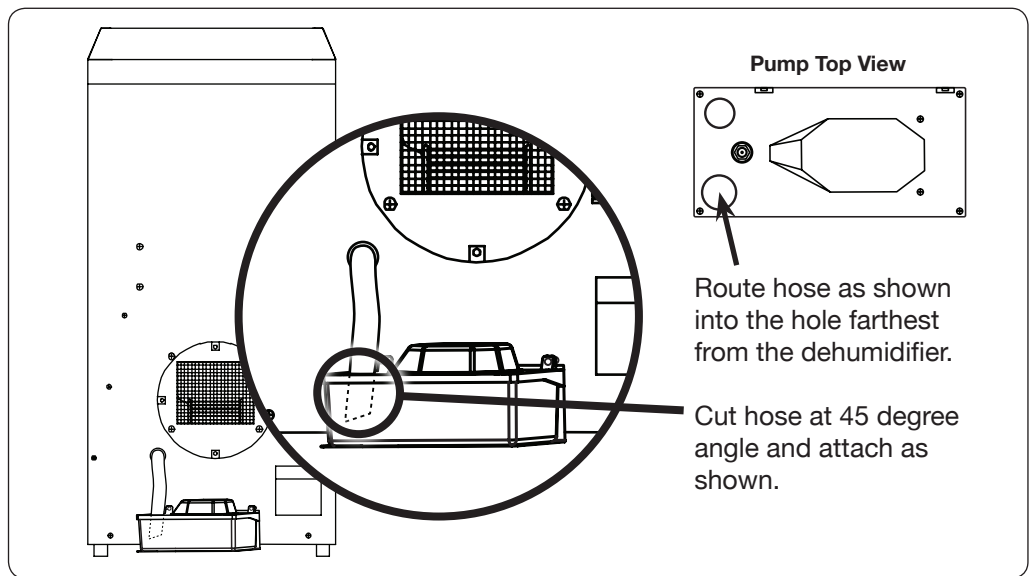


Therma-Stor

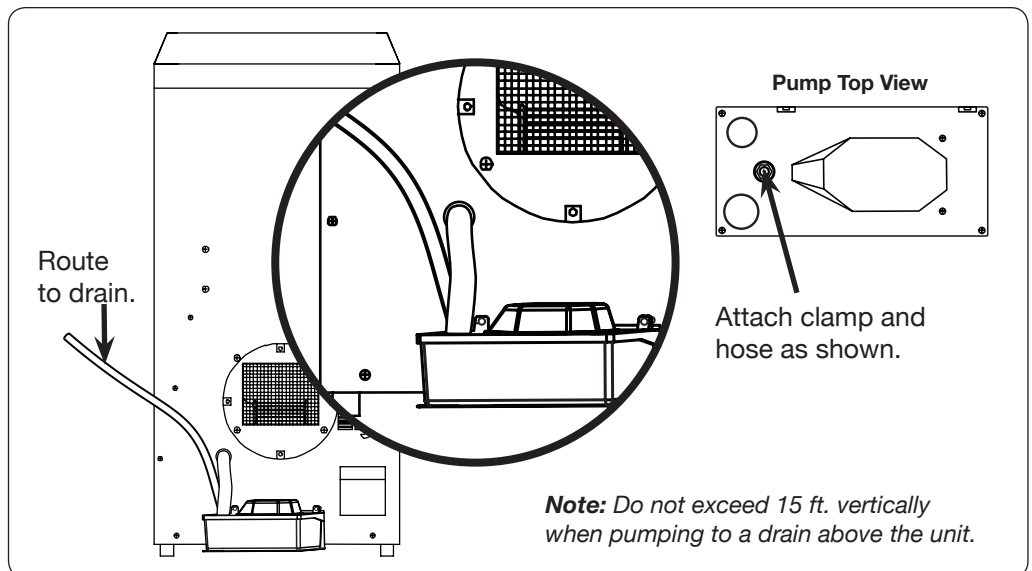
4201 Lien Rd Madison, WI 53704 • TOLL-FREE 1-800-533-7533 • www.thermastor.com • sales@thermastor.com

TS-201 10/18 Rev D

Step 3. Route 9/16" hose from the dehumidifier to the condensate pump as shown. Be careful not to kink the hose. Trim hose to fit properly. To help with proper drainage, cut hose at 45 degree angle.



Step 4: Insert clamp onto 3/8" drain hose and then attach hose onto the barbed outlet fitting on the condensate pump. Tighten clamp and verify that hose is secured tightly to the condensate pump by gently pulling on the hose. Route hose appropriately to drain.



Step 5. Plug the condensate pump and dehumidifier cords into an outlet that is protected with a GFCI device on its circuit.